



# Underscore® | K-1821

66" x 32" drop-in bath

## Features

- Integral lumbar support
- Slotted overflow allows for deep soaking



## Available Colors/Finishes

*Color tiles intended for reference only.*

- 0 White
- 96 Biscuit
- 7 Black Black



1-800-4KOHLER (1-800-456-4537)  
Kohler Co. reserves the right to make revisions without notice to product specifications.  
For the most current specification sheet, go to [www.kohler.com](http://www.kohler.com) USA or [www.kohler.ca](http://www.kohler.ca) Canada.  
5-12-2026 18:44 - US-CA

THE BOLD LOOK  
OF **KOHLER**

## Codes/Standards

CSA B45.5/IAPMO Z124  
 ASTM E162  
 ASTM E662  
 CSA C22.2 No. 218.2  
 UL Listed

## Technical Information

*All product dimensions are nominal.*

Drain Location:	Reversible
Drain Hole Diameter:	2-1/4" (57 mm)
Minimum Flat for Door:	2-7/16" (61 mm)
Basin Area, Bottom:	44-1/2" x 22-5/16" (1130 mm x 567 mm)
Basin Area, Top:	59-5/8" x 25-1/2" (1514 mm x 648 mm)
Water Depth:	18" (457 mm)
Water Capacity:	85.8 gal (324.8 L)
Minimum Floor Load:	50 lbs/ft <sup>2</sup>
Weight:	86 lbs (39 kg)
Cutout:	Drop-in, 64-1/2" x 30-1/2" (1638 mm x 775 mm)

## Material

- Acrylic

## Recommended Products/Accessories

- K-1491 Bath/whirlpool pillow, removable
- K-1601 Bath/whirlpool footstop, removable
- K-1177 Tiling-in bead, 144" length
- K-550 Undermount kit for select 66" Underscore bath models
- K-23726 Drain treatment
- K-23732 Tub & shower cleaner

## Required Products/Accessories

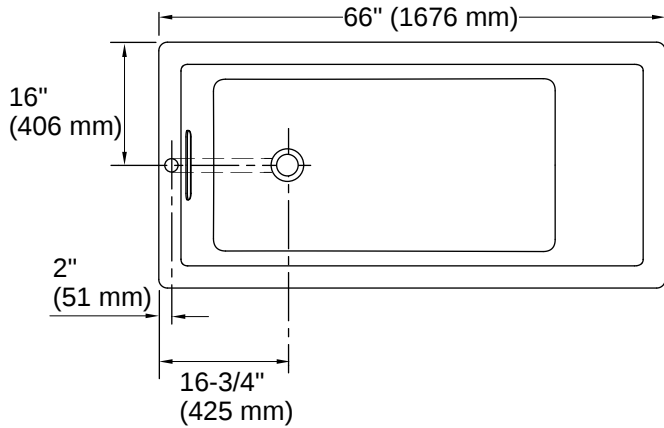
- K-7271 Slotted overflow brass bath drain
- or
- K-7272 Slotted overflow bath drain

## Warranty

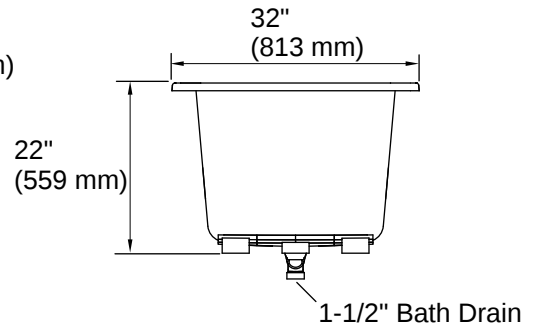
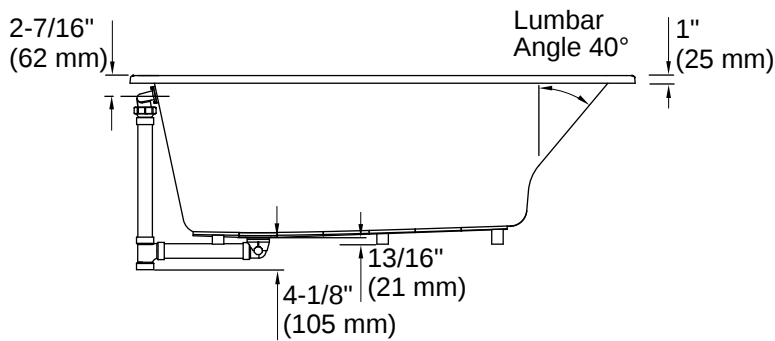
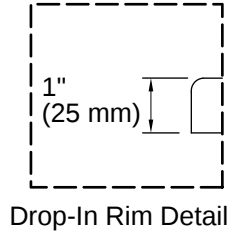
*See website for detailed warranty information.*

KOHLER® Plastic Baths and Shower Bases Lifetime Limited Warranty





No change in measurement if connected with drain illustrated. (K-7272)



## Installation

- Requires Clearflo slotted overflow bath drain (sold separately)
- Drop-in or undermount

## Installation Notes

*Install this product according to the installation instructions.*

Measure your actual product for rough-in details.

The hot water supply should be 70% of the capacity of the bath or greater. Installations will vary.

Kit is required for under-mount installations (sold separately).

