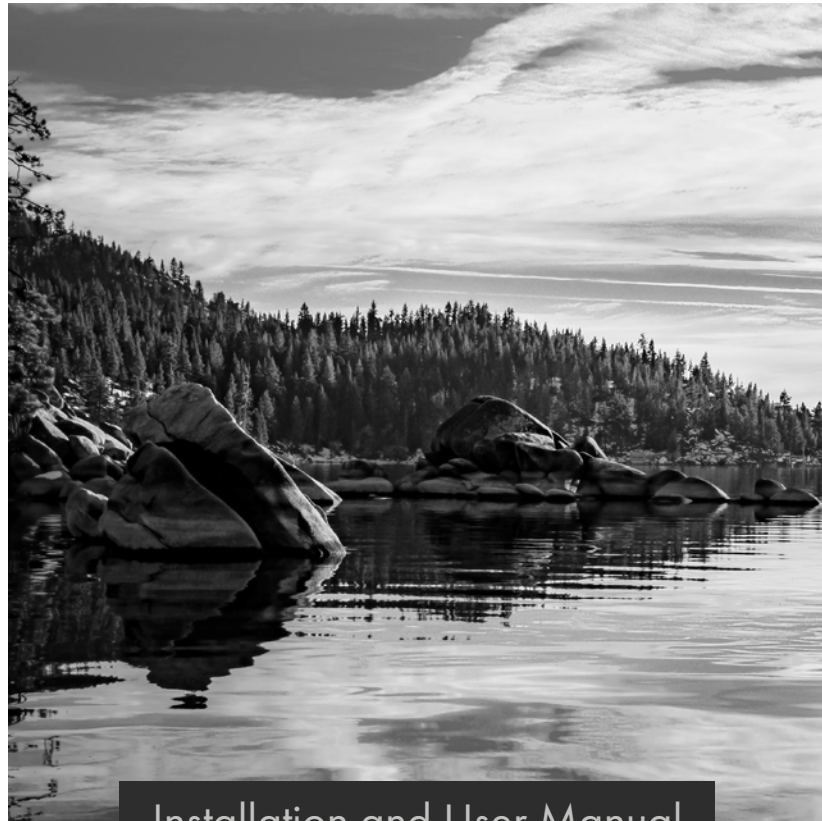


ZLINE

ATTAINABLE LUXURY[®]



Installation and User Manual

RANGE HOODS STAINLESS STEEL WALL MOUNTED MODELS

zlinekitchen.com



ZLINE Kitchen and Bath provides Attainable Luxury, where the kitchen and bath of your dreams is never out of reach. Through our unique designs and unparalleled quality, we're dedicated to providing you an elevated experience in the heart of your home. With an endless selection of features and finishes, our inspiration is your reality.

ZLINE
ATTAINABLE LUXURY®



ZLINE is fueled by a passion for innovation—a relentless pursuit of bringing the highest end luxury designs and professional features into everyone’s homes.

Because we continually strive to improve our products, we may change specifications and designs without prior notice.

Scan the QR code to view the most up-to-date version of the Installation Manual and User Manual.

⚠ WARNING: This product can expose you to chemicals including nickel, which is known to the State of California to cause cancer. For more information, go to www.P65Warnings.ca.gov.

TABLE OF CONTENTS

IMPORTANT SAFETY INSTRUCTIONS	1
BEFORE INSTALLATION	4
INSTALLATION	5
Wall Hood Installation	5
Designer Wall Hood Installation	11
CrownSound™ Installation	17
OPERATION	20
REPLACING PARTS	21
How to Replace the Button Panel	21
How to Replace the Circuit Board	22
How to Replace the Light Bulbs in Your Range Hood	23
How to Replace the Capacitor	24
How to Replace the Transformer	25
How to Replace Professional Series Baffle Channels and Filters	28
How to Replace Spring-Loaded Baffle Filters	29
How to Replace or Change Charcoal Filters	30
How to Clean and Replace the Grease Cup	31
TROUBLESHOOTING	32
WARRANTY	35

IMPORTANT SAFETY INSTRUCTIONS



WARNING

If the information in this manual is not followed exactly, a fire or explosion may result causing property damage, personal injury, or death.

- Before beginning installation, please read and follow these important instructions for the safety of your home and the people living in it.
- The instructions in this manual are intended for qualified installers and certified service technicians. Installation and electrical wiring must be completed by qualified professionals and in accordance with applicable codes and standards.
- DO NOT attempt to install this appliance yourself. Injury could result from installing the unit due to lack of appropriate electrical and technical background.
- The installer should leave these instructions with the consumer who should retain for local inspectors' use and for future reference.
- Due to the size and weight of ZLINE range hoods, two-person installation is highly recommended.
- Use care when handling the range hood, chimney cover, baffle filters, and any parts or accessories, as sharp edges may lead to injury. Use of gloves during installation is highly recommended.
- All ZLINE range hoods are ETL-listed, ensuring all parts were tested for safety and meet industry standards and regulations.
- The manufacturer will not be responsible for any damage to property or to persons caused by incorrect installation, improper use of the appliance, or failure to heed the warnings listed.
- Carefully inspect all items for damages upon delivery. Upon acceptance of the range hood, owner assumes responsibility for its safe arrival.
- Before installing your unit, test the range hood for proper functionality by plugging it into an appropriate outlet and testing the fan and lights. Do not install any appliance if they have missing or broken parts. If units arrive damaged, contact ZLINE Customer Service at 1-614-777-5004 for help.
- This appliance is designed for general ventilating use only. DO NOT use to exhaust hazardous or explosive materials and vapors.

IMPORTANT SAFETY INSTRUCTIONS

- The combustion air flow needed for safe operation of fuel-burning equipment may be affected by this unit's operation. Follow heating equipment guidelines and safety standards such as those published by the National Fire Protection Association (NFPA), American Society of Heating, Refrigeration and Air Conditioning Engineers (ASHRAE), and local code and government authorities.
- Sufficient air is needed for proper combustion and exhausting of gases through the ducting installed with range hoods to prevent back drafting.
- Ducted range hoods **MUST ALWAYS** be vented to the outdoors or in some instances converted to recirculate the air.
- To reduce the risk of fire and to disperse air properly, make sure to vent air outside. **DO NOT** vent exhaust into spaces between walls, crawl spaces, ceilings, attics, basements, or garages.
- Please consult an HVAC or installation professional for advice to comply with local regulations and ensure appropriate ventilation.
- Old duct work should be cleaned or replaced, if necessary, to avoid the possibility of a grease fire or other hazard. Check all joints on duct work to ensure proper connection; all joints should be properly taped/secured.
- When a range hood ventilates air out of the room, the vented air must be replaced; this is called makeup air. If a makeup air system is needed, but not used, a hood may not function as expected due to negative air pressure.
- ZLINE does not currently provide makeup air units. Always consult applicable building codes regarding minimum and maximum air flow rates. Certain states may require additional items such as makeup air for larger CFM range hoods.
- Please verify with local and state regulations on the proper venting method for your hood. Many agencies have CFM rating specifications for your hood.
- You must purchase appropriate flexible ducting and any additional items to vent the hood in accordance with government codes.
- When cutting or drilling into a wall or ceiling, be careful not to damage electrical wiring or other hidden utilities.
- All electrical wiring must be properly installed, insulated, and grounded. A 120 VAC, 60 Hz, AC-only fused electrical supply is required on a separate 15-amp circuit, fused on both sides of the line.
- Electrical installation must be in accordance with the National Electrical Code ANSI/NPA70-latest edition and/or local codes.

IMPORTANT SAFETY INSTRUCTIONS

- Before servicing or cleaning the unit, fully disconnect the hood from power to avoid risk of electric shock and injury.
- Keep the motor, fans, baffle channels, filters, tunnels, cups, and grease-laden surfaces clean. Grease should not be allowed to accumulate inside or on the surface of the range hood; clean surfaces frequently.
- Take care when cleaning the range hood in spray form: never direct spray of water or cleaners onto the electrical wiring, motor, button panel, or light bulbs.
- When cleaning stainless steel, only use a stainless steel cleaner product with a soft sponge, or use a cloth with a warm soap and water solution. Never use abrasive powders or liquids.
- After installation, use a stainless steel cleaning product or wipe to eliminate any residues from protective film after removal.
- Always turn the range hood on when cooking at high heat or when cooking flaming foods. Use high settings on the cooking range below only when necessary.
- Never leave range top surface units underneath a range hood unattended at high settings. Boilovers can cause smoking and greasy spillovers that may ignite. Heat oils slowly on low or medium settings.
- Always use appropriate cookware and utensils; always use cookware appropriate for the size of the surface element on your range top underneath a range hood.
- To reduce the risk of injury in the event of a range top grease fire, smother flames with a close fitting lid, cookie sheet, or metal tray, then turn off the burner. Never pick up a flaming pan — you may be severely burned.
- Keep flammable or combustible material away from flames. If flames do not go out immediately, evacuate and call the fire department. **DO NOT** use water, including wet dishcloths or towels — a violent steam explosion will result.

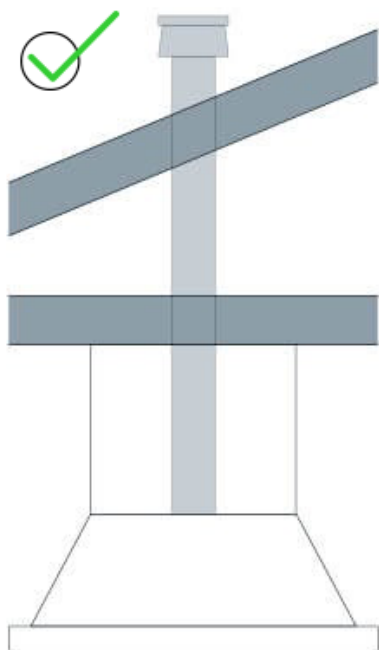
BEFORE INSTALLATION

DUCTING REQUIREMENTS

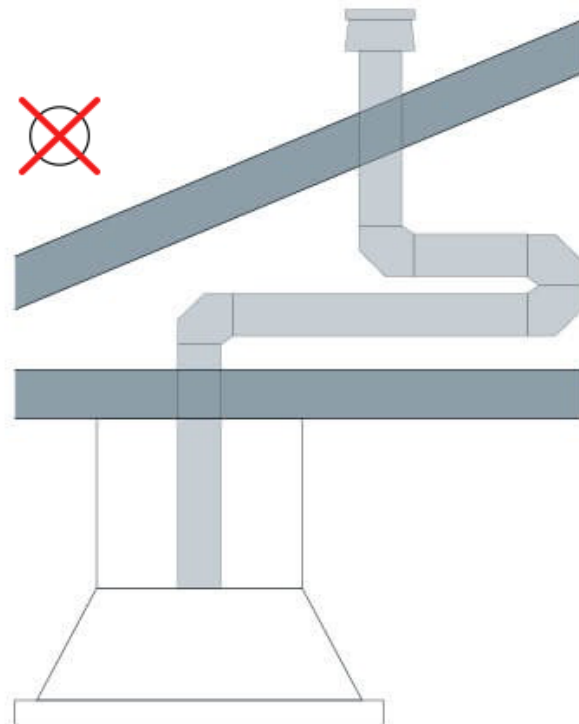
NOTES:

- Ducting is not provided with your ZLINE range hood. It's recommended to use solid ducting made of galvanized steel or another appropriate rigid metal ducting whenever possible for the lowest noise and highest flow.
- Use a maximum of 40' (12192 mm) of ductwork. Try to minimize the use of elbows.
- You must establish a minimum of 12" (305 mm) of vertical airflow from the top of the hood before executing any 90° turn. No more than 3 elbows are allowed; each 90° turn you make equates to 5' (1524 mm) lost when accounting for the maximum 40' (12192 mm).
- Do not use any reducers on ducting smaller than the appropriate diameter (6" or 8" — 152 mm or 203 mm).
- ZLINE range hoods do not include dampers. As such, we recommend that a vent cover or external damper be installed at the exit point of the ducting. Dampers should be inspected to ensure proper operation.
- Always consult an HVAC or installation professional to determine the best ducting option for your range hood, as each kitchen and home layout will vary.

EXAMPLES OF PROPER AND IMPROPER DUCTING:



Direct unobstructed path

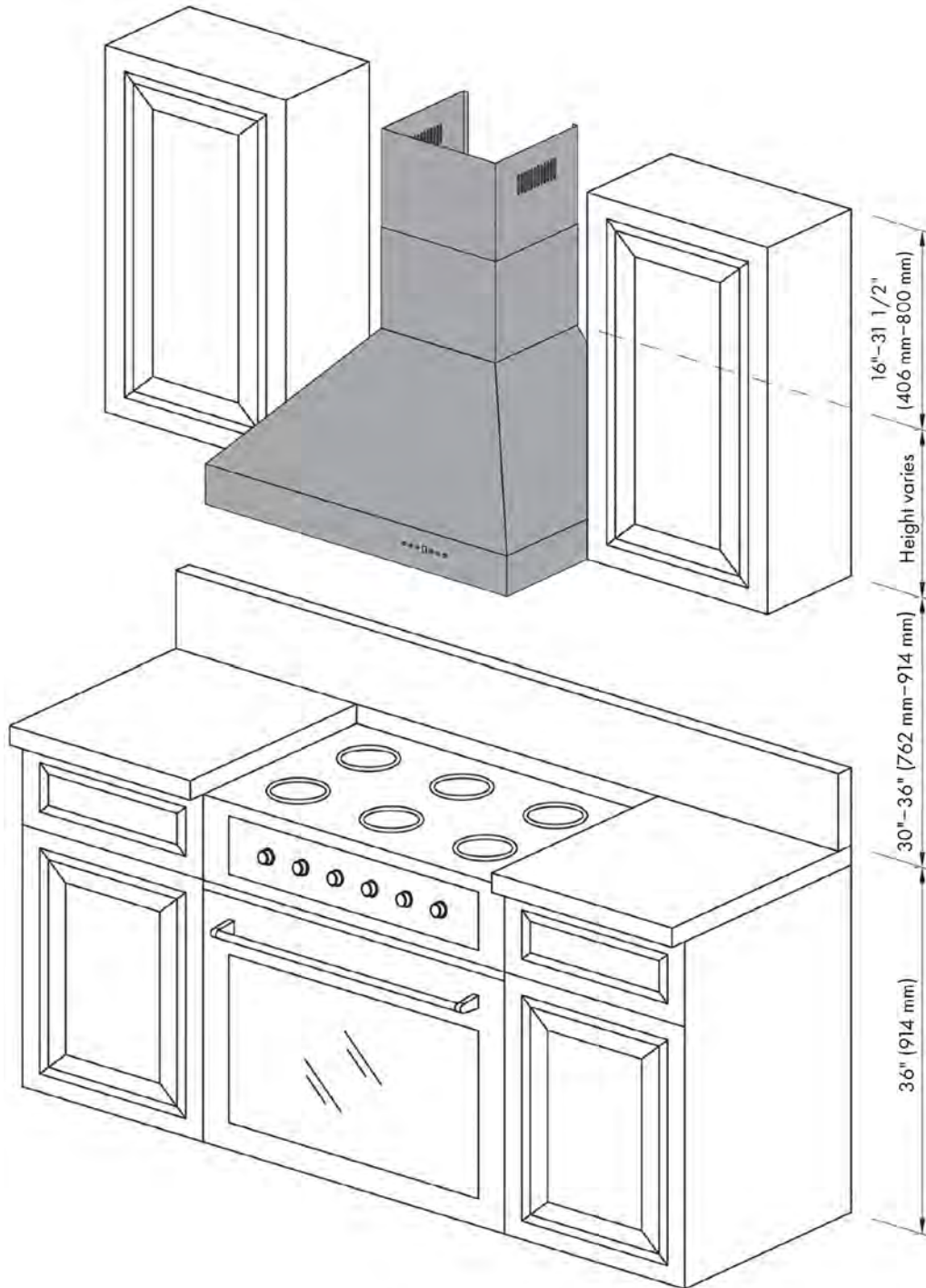


Indirect path with too many elbows

INSTALLATION

WALL HOOD INSTALLATION









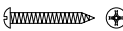






RANGE HOOD MEASUREMENTS



NOTE: The recommended height to install your hood is 30" (762 mm) minimum and 36" (914 mm) maximum above your cooking surface. These distances allow for optimal venting efficiency. The height of your chimney will vary depending on model of hood, as well as the height of your kitchen ceiling. Consult an HVAC or installation professional for ventilation advice.

INSTALLATION

WALL HOOD INSTALLATION

PARTS		
Unpack your range hood upon delivery and inspect to ensure all parts are included:		
DESCRIPTION	IMAGE	QTY
1. Main hood with lights and button panel pre-installed		1
2. Adjustable chimney covers – two 16" (407 mm) telescoping pieces		2
3. Transition piece (for 6" or 8"/ for 152 mm or 203 mm)* *Wall hoods with single motors come with a square-to-round transition piece. The ducting with these range hoods is 6" (152 mm). Dual motor hoods come with a square-to-round transition piece for 8" (203 mm) ducting.		1
4. Baffle filters		Varies by model
5. Baffle channel (if applicable, varies by model)		Varies by model
6. Top chimney mounting bracket		1
7. Crown molding bracket (if applicable)		1
8. Grease cup(s)		Varies by model
9. Mounting screws – M5 x 40 mm		2
10. Anchors – Ø6 mm		2
11. Washers – Ø16 mm x 5.5 mm		2
12. Wall bracket mounting screws – M4 x 16 mm (for designer hoods)		2
13. Anchors – Ø8 mm		2
14. Chimney mounting screws – M4 x 16 mm		4
15. Transition piece mounting screws – M4 x 8 mm		6

INSTALLATION

WALL HOOD INSTALLATION

MOUNTING DIRECTIONS

1. Based on the width of your hood, measure to find the center of the wall. Mark a line and measure to the left and right to find your two mounting points. Make sure the mounting points are level and mark the area with a pen. It is recommended to install the hood into wood supports to hold the weight of the hood. *Figure 1*
2. Drill holes into each mounting point with a suitable sized bit. Tap 2 anchors (Item No. 10) into the holes, then fasten 2 mounting screws (Item No. 9) and washers (Item No. 11), making sure to leave the screw heads out roughly 1/4" (6 mm) in order to mount the hood. *Figure 2*
3. Using at least two people, mount the main body of the hood onto the two screws and slide into place. *Figure 2*
4. Mount the top chimney mounting bracket near the ceiling by drilling two holes, tapping 2 anchors (Item No. 12) into the wall and then securing with 2 screws (Item No. 13). Make sure the chimney bracket is centered and level above the hood. *Figure 3*

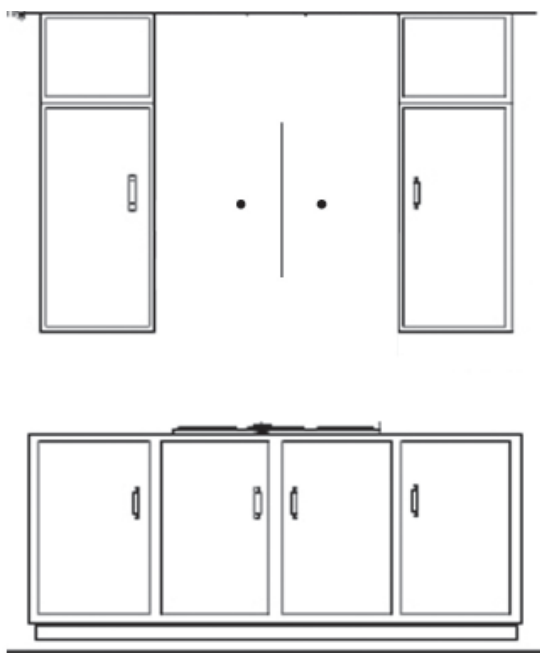


Figure 1

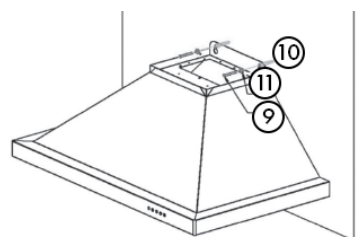


Figure 2

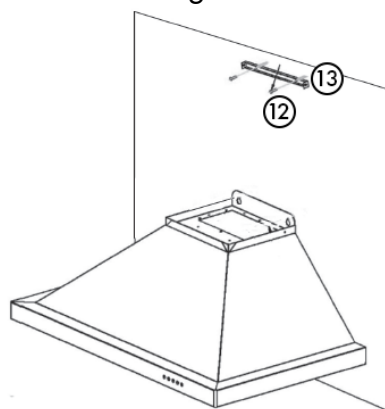


Figure 3



Scan for a wall range hood installation tutorial video. Please note that depending on model of range hood, some installation processes may vary.

INSTALLATION

WALL HOOD INSTALLATION

5. Install the transition piece on top of the range hood by securing it with screws (Item No. 15) provided. Some hoods require 4 screws, others require 6.
NOTE: In some models, the transition piece will already be installed. *Figure 4*
6. Secure your ducting connection to the transition piece using foil-backed tape to hold it into place top of the hood. Try and minimize the use of elbows; more elbows and longer runs create higher static pressure.
7. The hood comes with a grounded 3-prong plug that must be plugged into a dedicated 15-amp circuit. The cord is 36" (914 mm) long. *Figure 5*

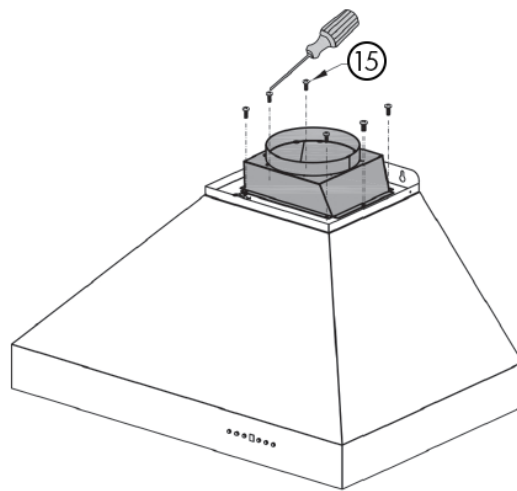


Figure 4



Figure 5

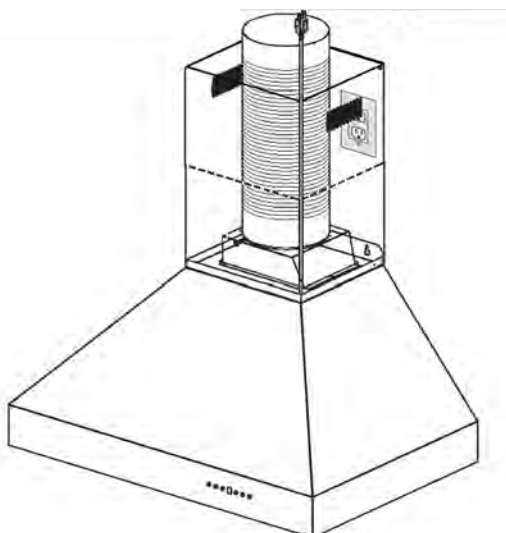


Figure 6

NOTE: Run the electrical cord up the chimney, outside of the ducting, and plug into a dedicated power outlet on the wall or in the attic. An outlet behind the chimney, to either the left or right, is ideal. *Figure 6, left*

INSTALLATION

WALL HOOD INSTALLATION

- Place the two-part telescoping chimney on top the hood. Slide the inside section up until the vertical vent slots are visible, then attach the top portion to the mounting bracket with 2 screws (Item No. 14). Secure the lower portion to the hood with 2 screws (Item No. 14). **NOTE:** Screw (Item No. 12) noted below was installed earlier in step 4. *Figure 7*
- Install the plastic grease cup by sliding it into brackets located at the bottom of the motor. Refer to "How to Clean and Replace the Grease Cup" on page 31 for more about grease cup installation.
- Install the baffle channel (if applicable) and baffle filters. Depending on the model, not all range hoods include a baffle channel or tunnel. *Figure 8*

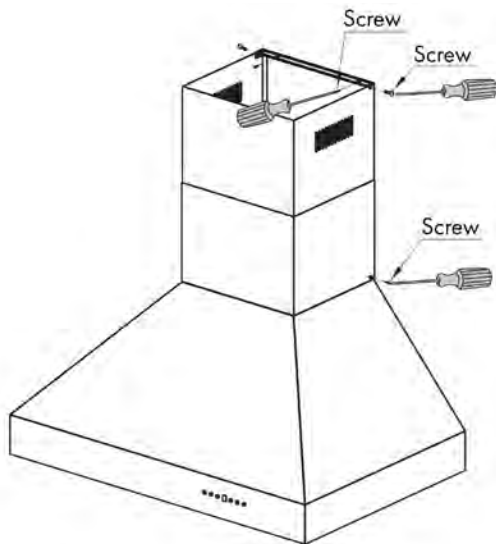


Figure 7

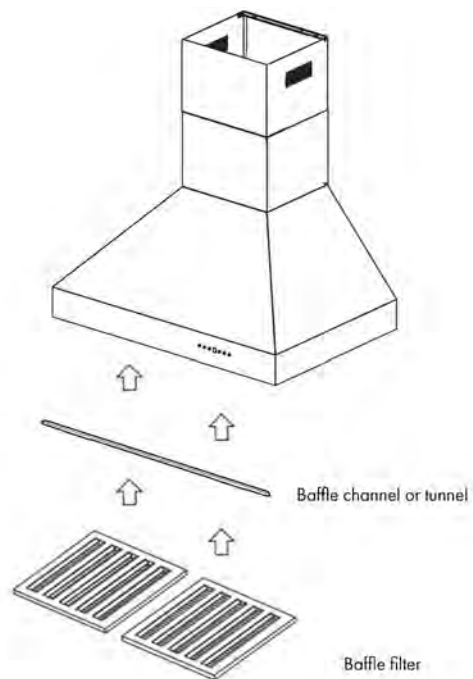


Figure 8



Scan for a baffle filter installation tutorial video.

INSTALLATION

WALL HOOD INSTALLATION

If you purchased specialty crown molding to install with your range hood, follow these instructions before attaching the ducting and chimney sections.

1. Secure the crown molding bracket to the ceiling directly above the range hood by using the hardware provided with the crown molding. *Figure 9*
2. Attach ducting and electrical connections as noted on page 8.
3. Attach the telescoping chimney sections to the range hood as noted on page 12, then connect the chimney to the crown molding bracket. *Figure 10*
4. Slide the crown molding onto the crown bracket and secure into place. The crown should cover the small gap between the top of the chimney and the ceiling above. Ensure that it installs properly and is level.

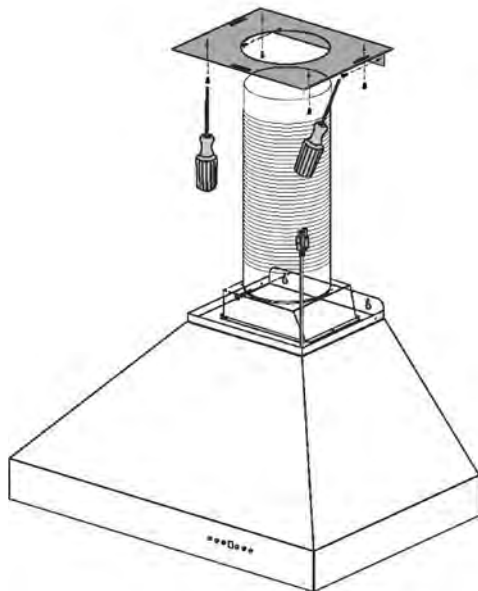


Figure 9

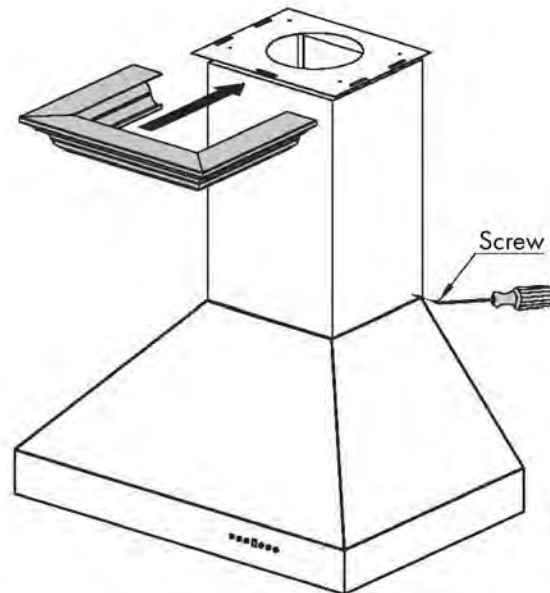


Figure 10

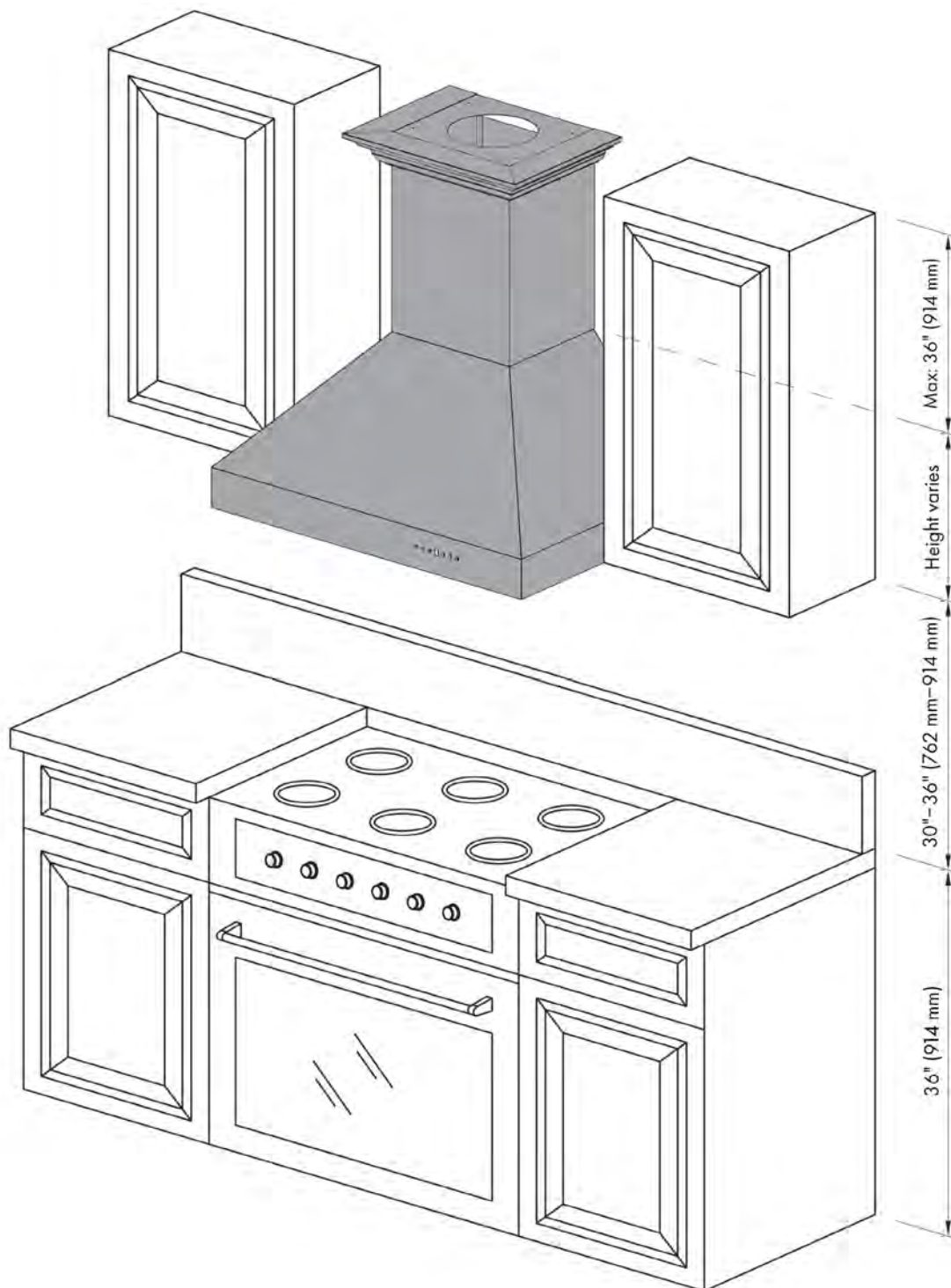


Scan for a crown molding installation tutorial video. Please note that depending on model of crown molding, some installation processes may vary.

INSTALLATION

DESIGNER WALL HOOD INSTALLATION








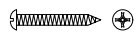






DESIGNER HOOD MEASUREMENTS



Scan for a designer wall range hood installation tutorial video. Please note that depending on model of range hood, some installation processes may vary.

INSTALLATION

DESIGNER WALL HOOD INSTALLATION

PARTS		
Unpack your range hood upon delivery and inspect to ensure all parts are included:		
DESCRIPTION	IMAGE	QTY
1. Main hood with lights and button panel pre-installed		1
2. One piece chimney, designed to be cut to fit		1
3. Transition piece (for 6" or 8" / for 152 mm or 203 mm)* *Wall hoods with single motors come with a square-to-round transition piece. The ducting with these range hoods is 6" (152 mm). Dual motor hoods come with a square-to-round transition piece for 8" (203 mm) ducting.		1
4. Baffle filters		Varies by model
5. Baffle channel (if applicable, varies by model)		Varies by model
6. Crown molding bracket (if applicable)		1
7. Grease cup(s)		Varies by model
8. Mounting screws – M5 x 40 mm		2
9. Anchors – Ø6 mm		2
10. Washers – Ø16 mm x 5.5 mm		2
11. Wall bracket mounting screws – M4 x 16 mm (for designer hoods)		2
12. Anchors – Ø8 mm		2
13. Chimney mounting screws – M4 x 16 mm		4
14. Transition piece mounting screws – M4 x 8 mm		6

INSTALLATION

DESIGNER WALL HOOD INSTALLATION

NOTE: Like other wall hoods, use a maximum of 40' (12192 mm) of ductwork and minimize use of elbows. You must establish a minimum of 12" (305 mm) of vertical airflow from the top of the hood before executing any 90° turn. No more than 3 elbows are allowed; each 90° turn you make equates to 5' (1524 mm) lost when accounting for the maximum 40' (12192 mm).

MOUNTING DIRECTIONS

1. Based on the width of your hood, measure to find the center of the wall. Mark a line and measure to the left and right to find your two mounting points. Make sure the mounting points are level and mark the with a pen. It is recommended to install the hood into wood supports to hold the weight of the hood. *Figure 1*
2. Drill holes into each mounting point with a suitable sized bit. Tap 2 anchors (Item No. 9) into the holes, then fasten 2 mounting screws (Item No. 8) and washers (Item No. 10), making sure to leave the screw heads out roughly 1/4" (6 mm) in order to mount the hood. *Figure 2*
3. Install the transition piece on top of the range hood by securing it with screws (Item No. 14) provided. Some hoods require 4 screws, others require 6. *Figure 3*
4. Secure the crown molding bracket to the ceiling directly above the range hood by using the hardware provided with the crown molding. *Figure 7*
5. Using at least two people, mount the main body of the hood onto the two screws and slide into place. *Figure 2*

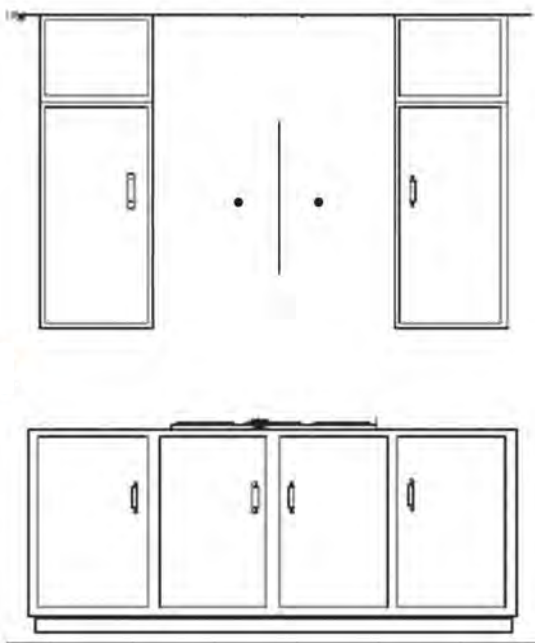


Figure 1

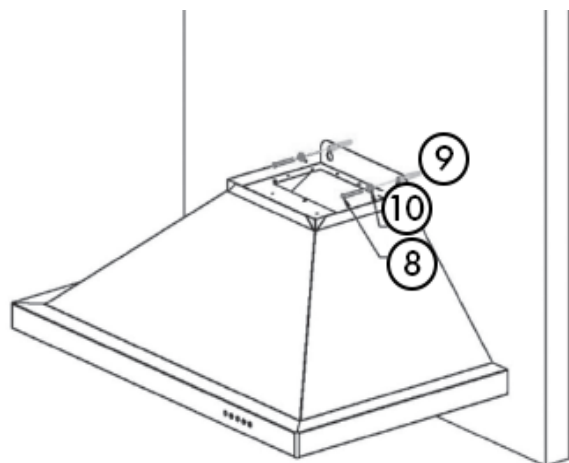


Figure 2

INSTALLATION

DESIGNER WALL HOOD INSTALLATION

6. Secure your ducting connection to the transition piece using foil-backed tape to hold it into place top of the hood. Try and minimize the use of elbows; more elbows and longer runs create higher static pressure.
7. The hood comes with a grounded 3-prong plug that must be plugged into a dedicated 15-amp circuit. The cord is 36" (914 mm) long. *Figure 4*

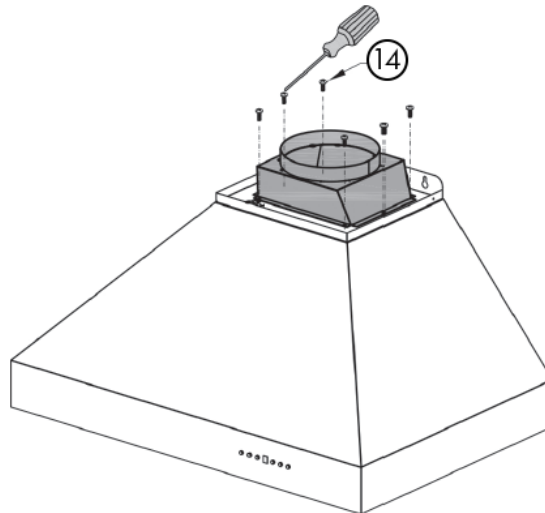


Figure 3

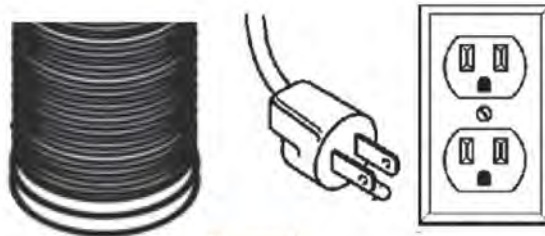


Figure 4

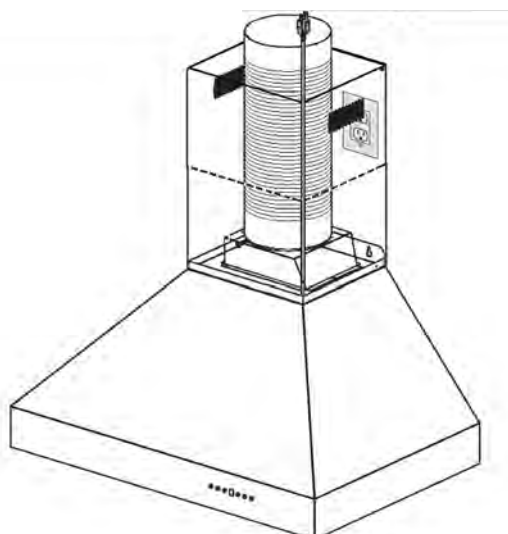


Figure 5

NOTE: Run the electrical cord up the chimney, outside of the ducting, and plug into a dedicated power outlet on the wall or in the attic. An outlet behind the chimney, to either the left or right, is ideal. *Figure 5, left*

INSTALLATION

DESIGNER WALL HOOD INSTALLATION

8. After precisely measuring the distance between the top of the range hood and your ceiling, have a trained professional cut your one-piece designer chimney to the desired length; you must leave a 2 1/4" (57 mm) gap between the chimney and ceiling in order to install the crown molding. *Figure 6*
9. Install the chimney on top of the hood, making sure the top slides into the crown molding bracket. Slide the crown molding onto the bracket and secure into place; secure the lower chimney portion to the hood. *Figure 8*
10. Install the plastic grease cup, baffle channel (if applicable) and baffle filters in a similar fashion as noted on page 12.

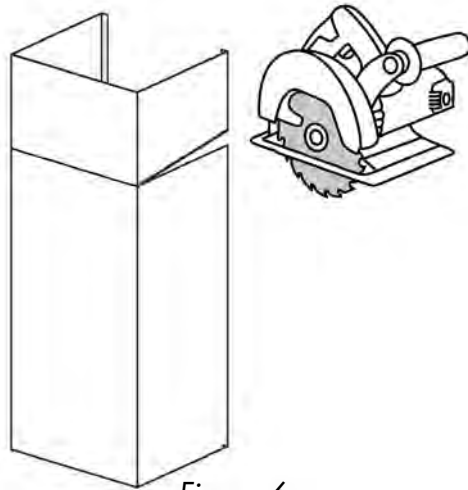


Figure 6

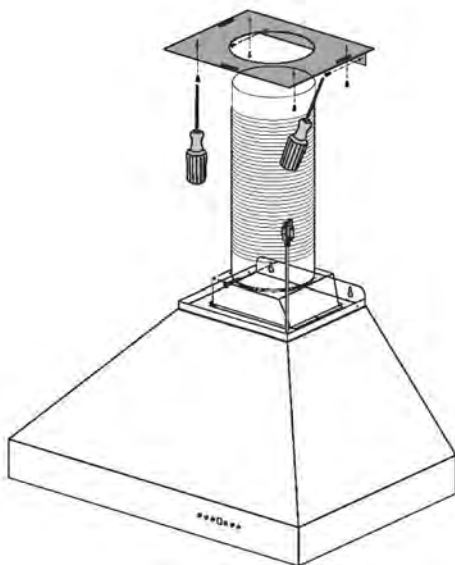


Figure 7

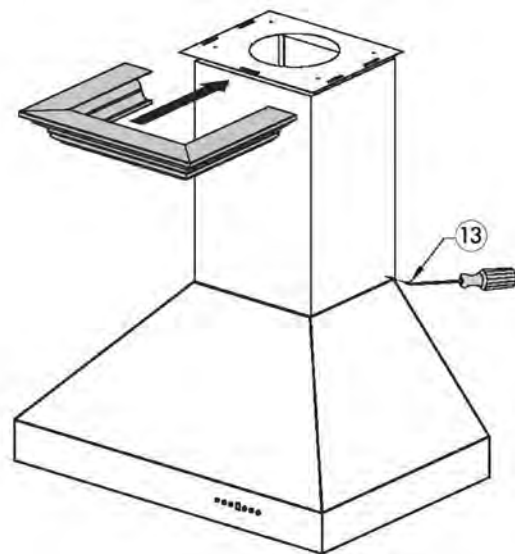
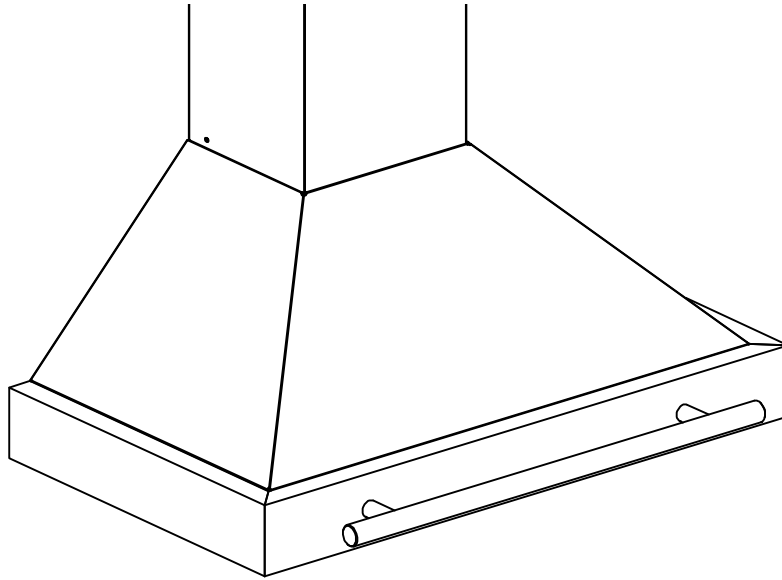


Figure 8

INSTALLATION

INSTALLING OR REPLACING A RANGE HOOD HANDLE

If you've purchased a ZLINE range hood with a stainless steel handle — or if you're installing an Autograph Edition handle with Champagne Bronze, Polished Gold, or Matte Black accents, an example of which is below — use the following installation process.



1. Remove the baffle filters from the bottom of the range hood to allow easier access to install the handle.
2. From inside the hood, insert the 2 provided screws so they stick out of the holes in the front of the hood.
3. Mount each end of the handle to each screw on the front of the range hood and hand-tighten to loosely secure the handle.
4. Use a Phillips-head screwdriver to tighten each screw until the handle is snug. Use care to not overtighten to avoid stripping the screws or damaging the hood's finish.
5. Replace the baffle filters.



Scan to follow along with a video



WARNING

Range hood handles are for cosmetic purposes only and should not be used for hanging items, including pots and pans, as this increases the risk of injury or fire.

CROWNSOUND™ INSTALLATION

PRODUCT SPECIFICATIONS

- **Model:** CRN-BT
- **Frequency:** 120 VAC/60 Hz
- **Power:** 10 W
- **FCC-ID:** 2BH7P-CRNBT

This device complies with part 15 of the FCC Rules. Operation is subject to the following two conditions:

1. This device may not cause harmful interference.
2. This device must accept any interference received, including interference that may cause undesired operation.



WARNING: Any changes or modifications to this unit not expressly approved by the party responsible for compliance could void the user's authority to operate the equipment.

- **NOTE:** This equipment has been tested and found to comply with the limits for a Class B digital device, pursuant to part 15 of the FCC Rules. These limits are designed to provide reasonable protection against harmful interference in a residential installation. This equipment generates, uses and can radiate radio frequency energy and, if not installed and used in accordance with the instructions, may cause harmful interference to radio communications. However, there is no guarantee that interference will not occur in a particular installation. If this equipment does cause harmful interference to radio or television reception, which can be determined by turning the equipment off and on, the user is encouraged to try to correct the interference by one or more of the following measures:
 - Reorient or relocate the receiving antenna.
 - Increase the separation between the equipment and receiver.
 - Connect the equipment into an outlet on a circuit different from that to which the receiver is connected.
 - Consult the dealer or an experienced radio/TV technician for help.
- MPE caution (if a FCC certified RF module is inserted in & the separation distance is indicated in the FCC grant of RF module).
- To satisfy FCC / IC RF exposure requirements, a separation distance of 7 7/8" (200 mm) or more should be maintained between the antenna of this device and persons during device operation. To ensure compliance, operations at closer than this distance is not recommended.

CROWNSOUND™ INSTALLATION

WALL CROWNSOUND™ INSTALLATION



Installation Tutorial Video

NOTE: Recirculating your range hood is not possible with CrownSound™ installation.

1. Attach crown molding bracket to ceiling using hardware provided. *Figure 1*

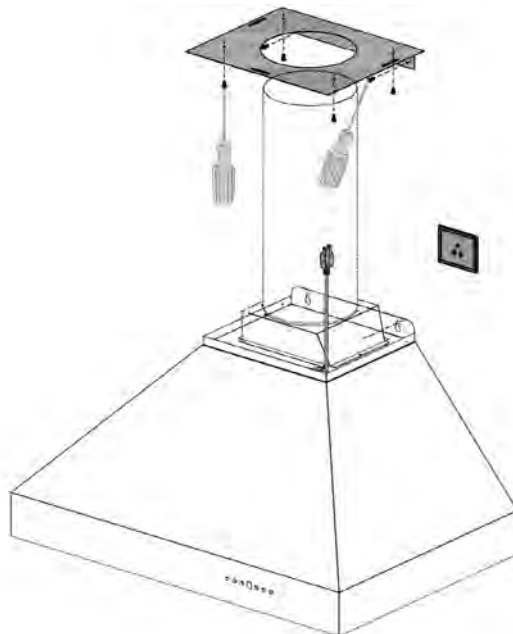


Figure 1

2. Attach ducting and electrical connections. Plug the speakers into an outlet behind the chimney. When the connection is successful, a chime will sound. *Figure 2*

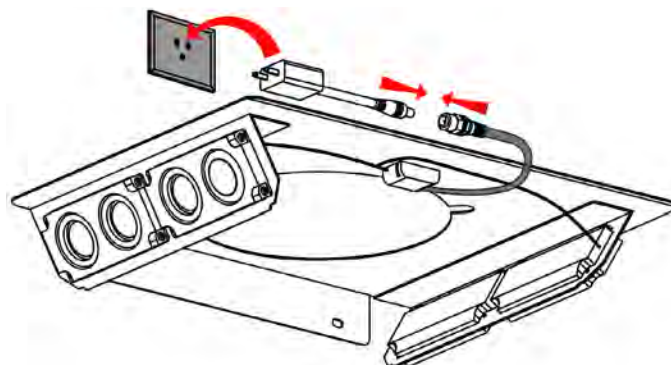


Figure 2

CROWNSOUND™ INSTALLATION

3. Attach the telescoping chimney bracket to the wall just below the crown mounting plate section that is against the wall. Extend the chimney and attach it to the chimney bracket.
4. Extend the chimney up to the transformer. Slide the crown molding onto the crown bracket and secure into place. The crown should cover the gap. Ensure that it installs properly and is level. *Figure 3*

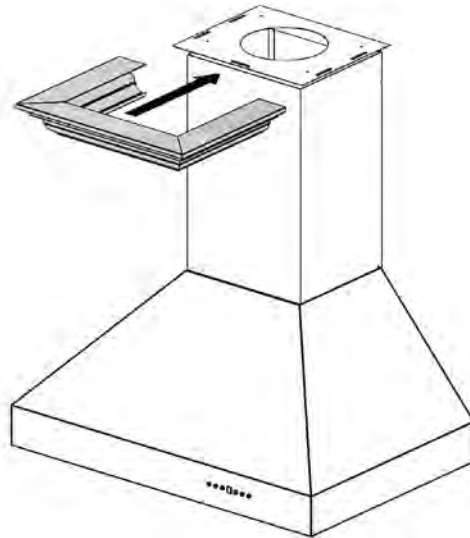


Figure 3

5. Open the phone's Bluetooth settings and find "ZLINE Audio." When the connection is successful, a chime will sound. *Figure 4*

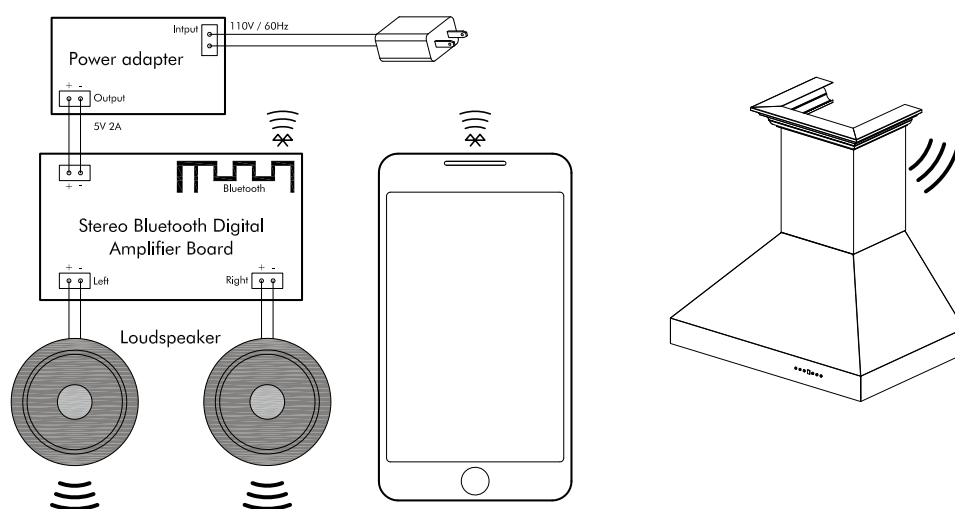
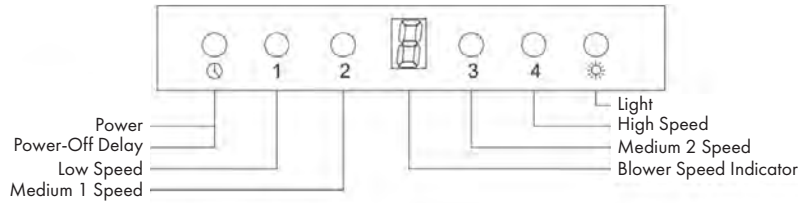


Figure 4

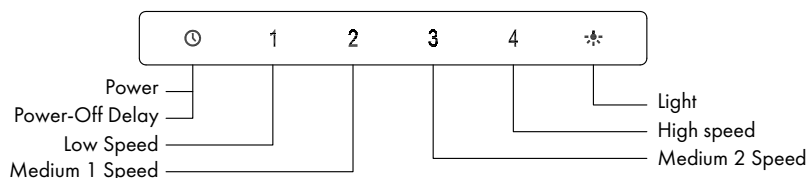
NOTE: CrownSound™ moldings carry a one-year parts warranty. Replacement speakers are available from ZLINE's parts store at www.zlineparts.com, or call 1-614-777-5004 to speak with a Customer Service representative.

OPERATION

BUTTON FUNCTIONS (SOME MODELS HAVE DIFFERENT CONTROL PANEL LAYOUTS)



- **Power:** Turn ON/OFF the range hood and activate the power-off delay timer.
- **Light:** Turn ON/OFF; some models have bright, dim, and OFF settings.
- **Blower Speed Indicator:** Shows current blower (motor) speed (1–4).
 - 1 - **Low Speed:** Light frying/boiling.
 - 2–3 - **Medium Speeds:** Frying/wok cooking/heavy boiling.
 - 4 - **High Speed:** Intensive frying/wok cooking.
- **Adjusting the motor speed:**
 - Press the power button once to turn on the system.
 - Press the speed buttons for the desired speed.
 - The motor speed indicator shows the motor speed level.
- **Adjusting the timer function:**
 - Turn the hood on at any speed and press the power-off delay button to enter timer mode; a “3” flashes in the display and the power-off timer will begin to count down.
 - When the motor speed indicator reaches zero, the motor will shut down.

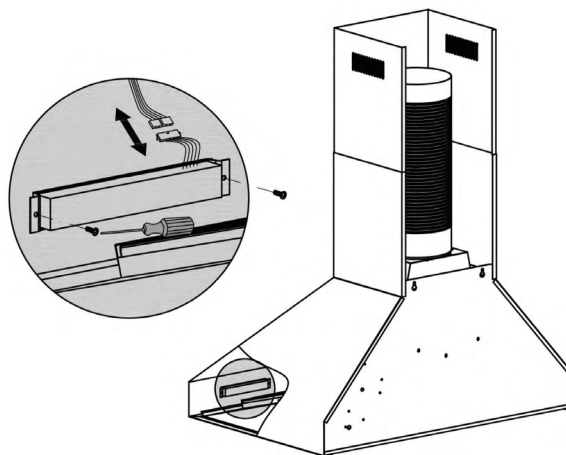


- **Power:** Turn ON/OFF the range hood and activate power-off delay timer.
- **Light:** Turn ON/OFF; some models have bright, dim, and OFF settings.
- **Blower Speed Indicator:** Shows current motor speed (1–4).
 - 1 - **Low Speed:** Light frying/boiling.
 - 2–3 - **Medium Speeds:** Frying/wok cooking/heavy boiling.
 - 4 - **High Speed:** Intensive frying/wok cooking.
- **Adjusting the motor speed:**
 - Press the power button once to turn on the system.
 - Press the speed buttons for the desired speed.
 - The selected motor speed will light up when chosen.
- **Adjusting the timer function:**
 - Turn the hood on at any speed and press the power-off delay button to enter the timer mode. The “power” flashes in the display, and the power-off delay will begin to count down. After five minutes, the motor will shut down.
 - When the motor speed indicator reaches zero, the motor will shut down.

REPLACING PARTS

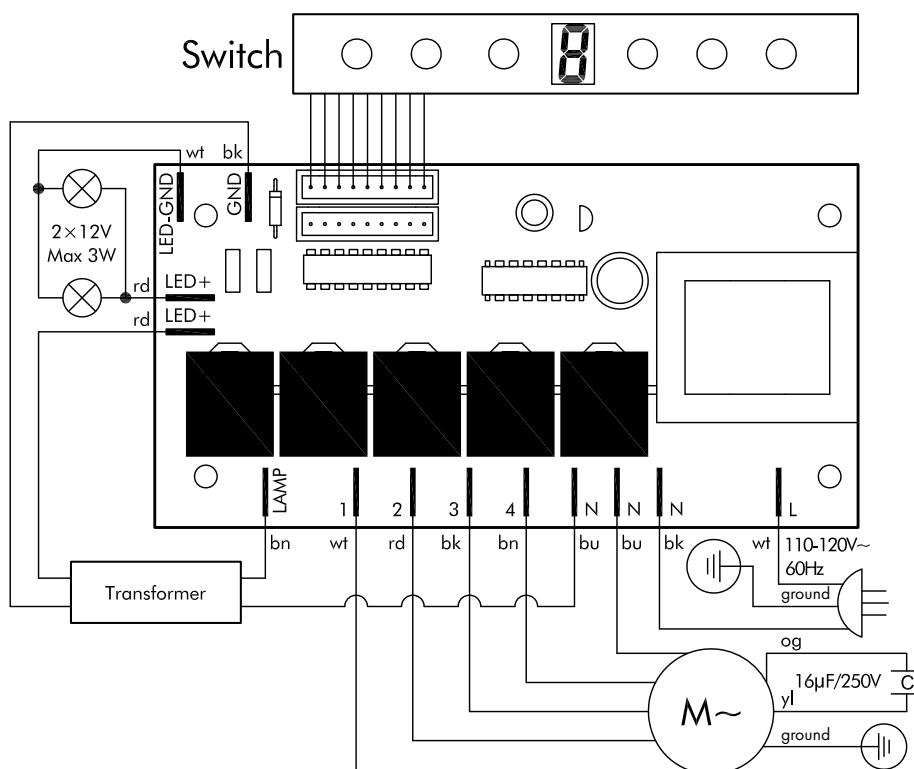
HOW TO REPLACE THE BUTTON PANEL

1. Remove baffle filters from underneath the hood.
2. Locate the back of the button panel.
3. Remove screws from each side of the button panel.
4. Disconnect the panel from the cord connecting to the circuit board, an overlay of which is included below.



WARNING

Never work on or clean the range hood while the power is on. Always unplug the unit or switch the electrical breaker to the off position.



Scan for a button panel installation tutorial video.

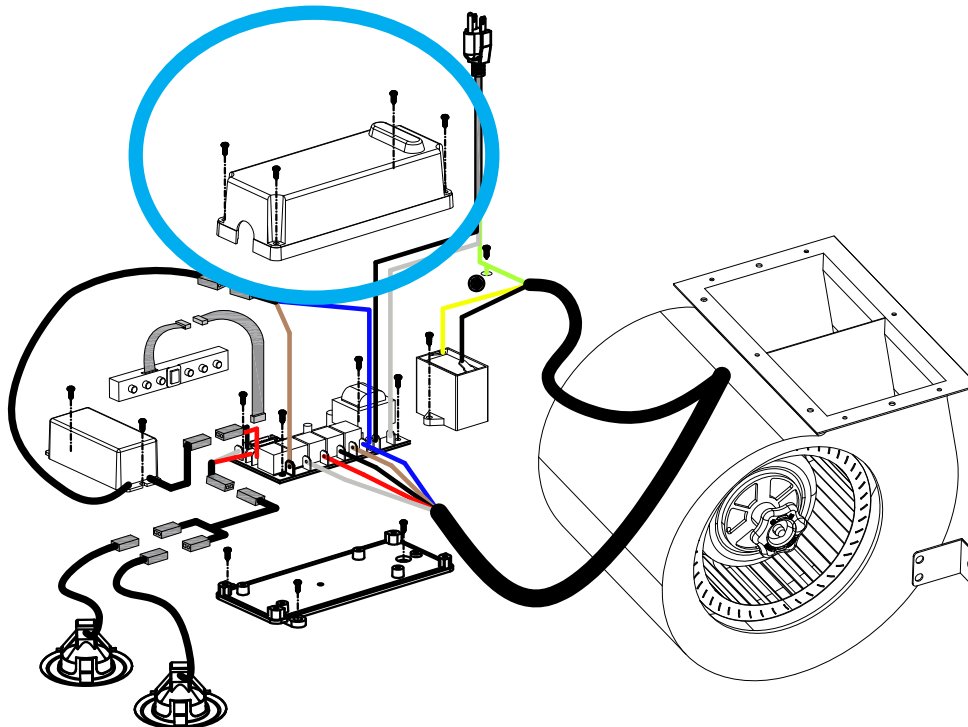
REPLACING PARTS

HOW TO REPLACE THE CIRCUIT BOARD

1. Turn the power off at the breaker and unplug the range hood.
2. Remove screws from the top of the circuit board cover (circled in blue below).
3. Take a picture of the wiring layout (this will help you put the circuit board back together properly).
4. Remove the wiring connected to the existing circuit board. The terminals have a locking pin in the middle to prevent them from accidentally coming loose. Removal may necessitate using a needle-nose pliers to unlock the terminals.
5. Remove the screws from the circuit board.
6. Replace the wiring and screws to reassemble the new circuit board per the diagram below (and aligning with the image you took earlier).



Never work on or clean the range hood while power is on. Always unplug the unit or switch the electrical breaker to the off position.

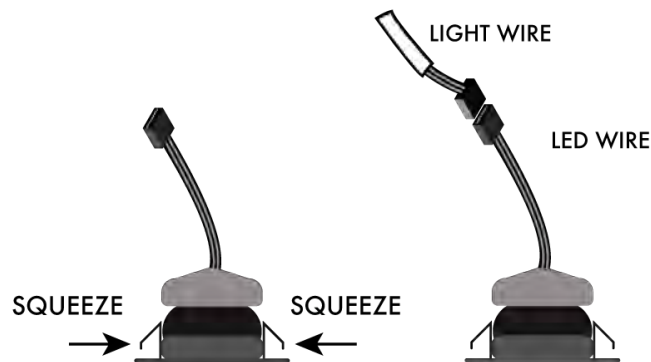


Scan for a circuit board installation tutorial video.

REPLACING PARTS

HOW TO REPLACE THE LIGHT BULBS IN YOUR RANGE HOOD

1. Turn the power off at the breaker and unplug the range hood.
2. Remove baffle filters from underneath the hood.
3. Squeeze the LED light assembly out until it falls out of the socket as noted in the images below.
4. Disconnect the light wire from the plug wire inside the range hood.
5. Reconnect the new LED light casting by filtering the light wire into the socket and plugging it into the plug wire inside the hood.
6. Press the new light assembly until it firmly fits in the socket.
7. Reconnect power and turn on the lights as noted on page 20.



Never work on or clean the range hood while power is on. Always unplug the unit or switch the electrical breaker to the off position.

NOTE: As wall range hood models vary, the placement and location of light kits and light bulbs may differ slightly, but the replacement methods are the same.



Scan for a light bulb installation tutorial video.

REPLACING PARTS

HOW TO REPLACE THE CAPACITOR

1. Turn the power off at the breaker and unplug the range hood.
2. Remove screws from the circuit board cover in a similar fashion as page 22.
3. Remove the screw securing the capacitor (circled in blue) to the circuit board. *Figure 1*
4. Remove the wiring connected to the existing capacitor. The terminals have a locking pin in the middle to prevent them from accidentally coming loose. Removal may necessitate using needle-nose pliers to unlock the terminals.
5. Connect the new capacitor with the same wire connectors.
6. Replace the screw on the capacitor and re-screw in the circuit board cover.

NOTE: Capacitors provide power to the range hood motor. If you have a unit with dual motors, there will be two capacitors (circled in blue). *Figure 2*



Never work on or clean the range hood while power is on. Always unplug the unit or switch the electrical breaker to the off position.

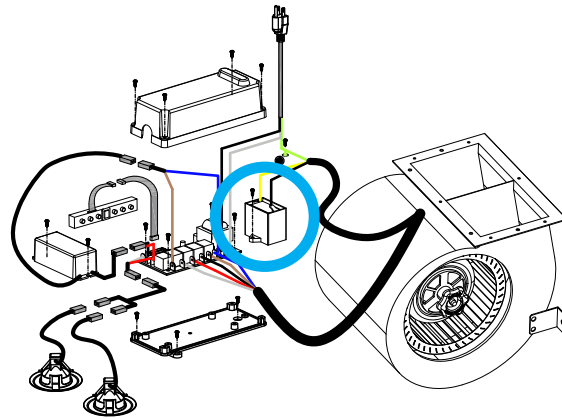


Figure 1

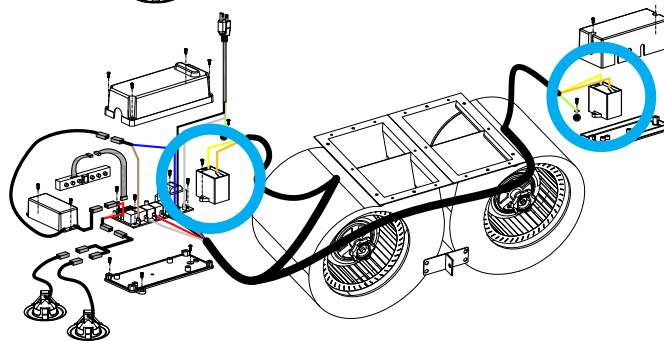


Figure 2



Scan for a capacitor installation tutorial video.

REPLACING PARTS

HOW TO REPLACE THE TRANSFORMER

1. Turn the power off at the breaker and unplug the range hood.
2. Remove screws from the circuit board (circled in blue) cover in a similar fashion. *Figure 1*
3. Locate the wire coming from the transformer (circled in pink) to the circuit board and remove the two wired connections from the circuit board.
4. Remove the two screws securing the transformer. *Figure 2*
5. Locate where the transformer connects to the light bulbs; disconnect the wires.
6. Once disconnected, remove the old transformer and connect the new wiring from your new transformer to the light bulb following the reverse from above.
7. Replace both screws to secure the new transformer.
8. Re-connect the wire from the new transformer to the circuit board.
9. After testing the lights to ensure they work, screw the circuit board cover back on.

NOTE: Transformers provide power to your range hood's lights.



Never work on or clean the range hood while power is on. Always unplug the unit or switch the electrical breaker to the off position.

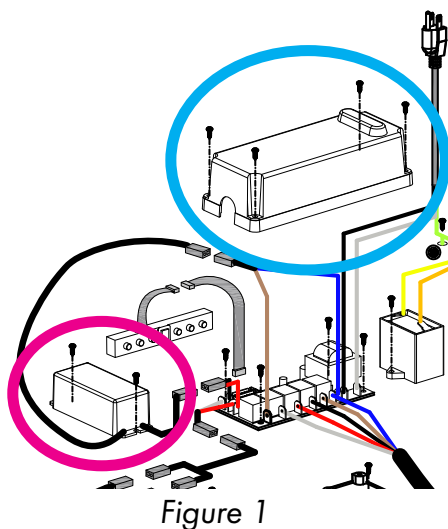


Figure 1

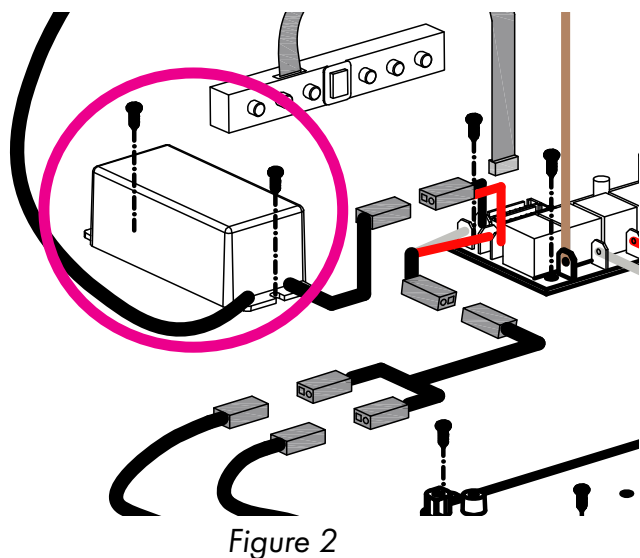


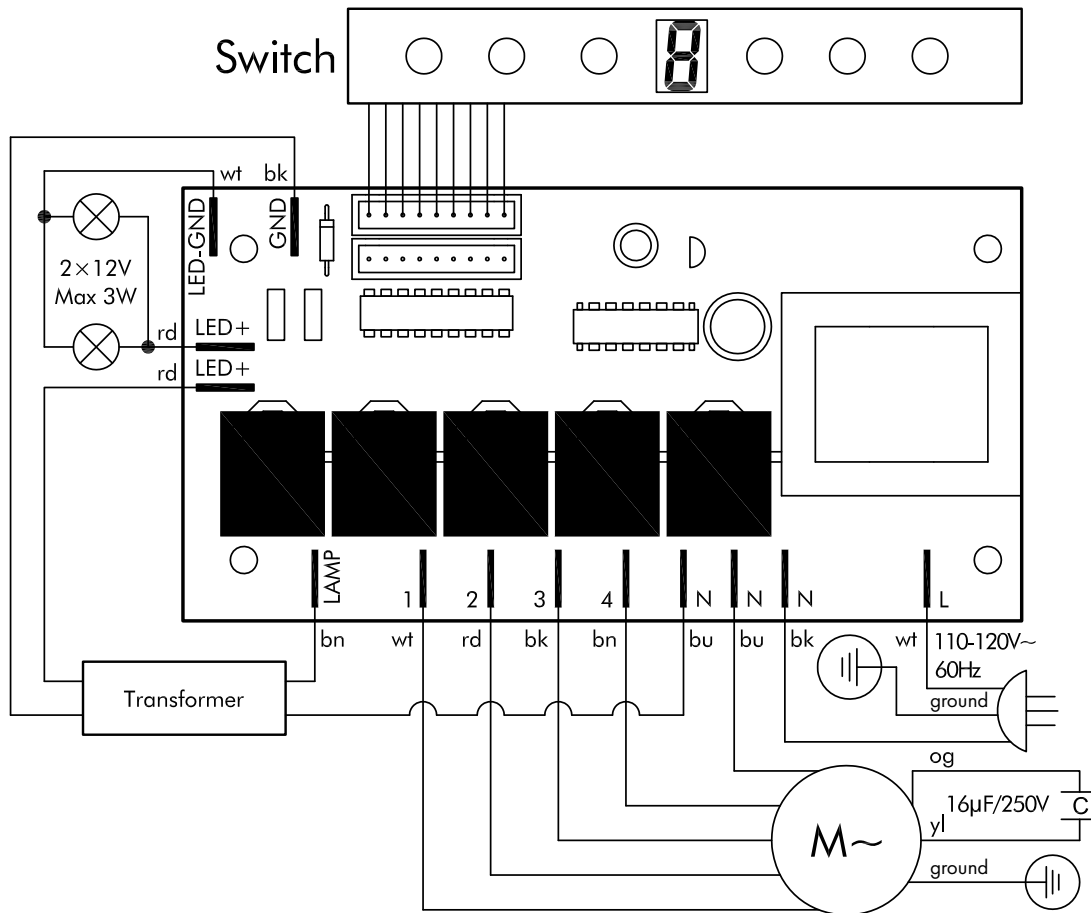
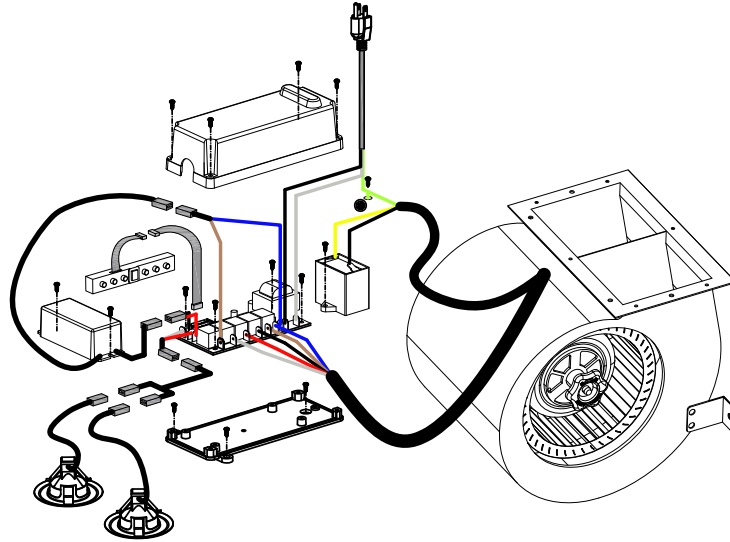
Figure 2



Scan for a transformer installation tutorial video.

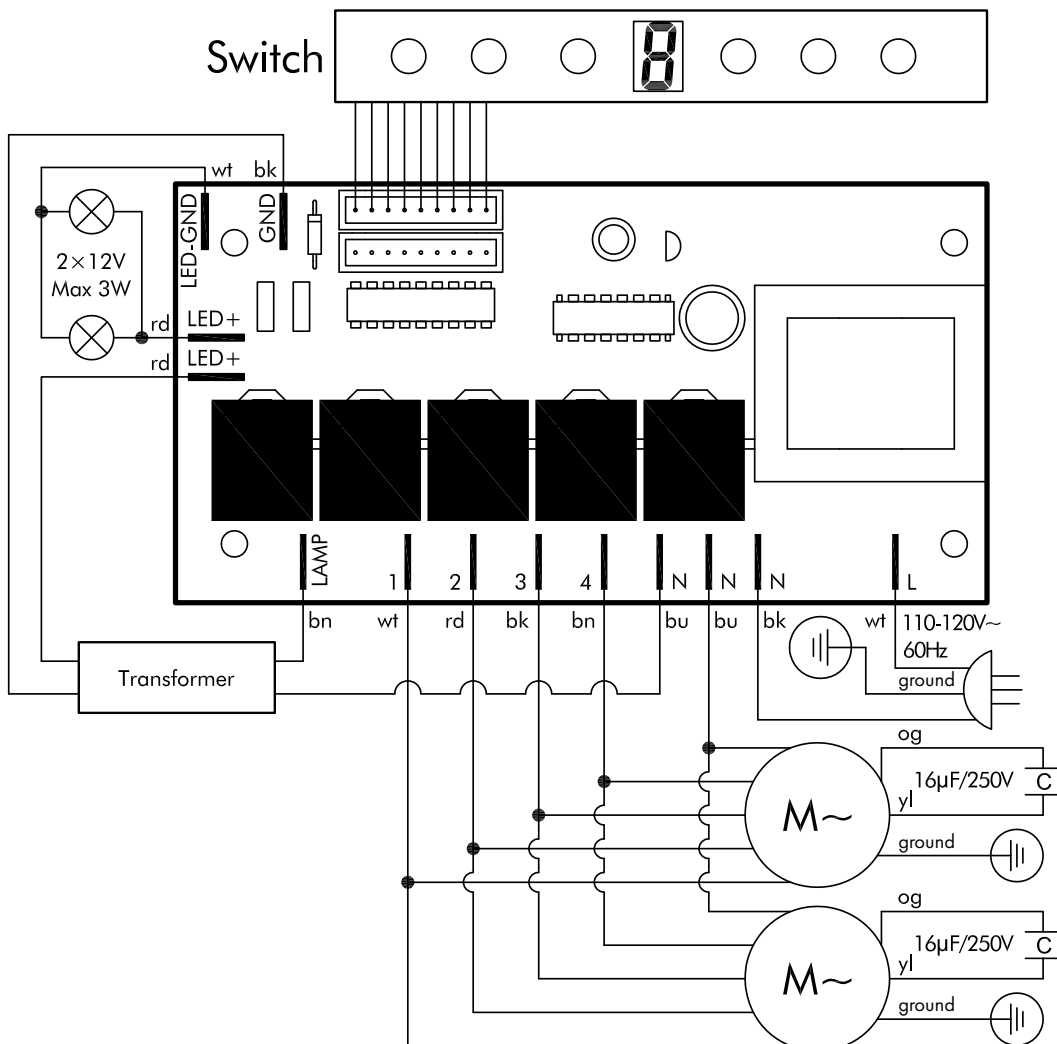
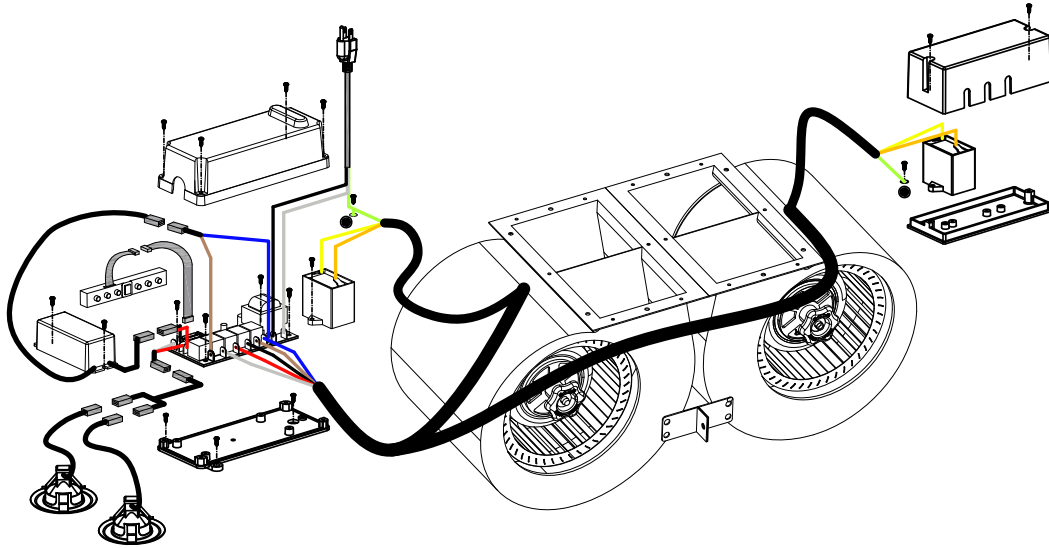
REPLACING PARTS

SINGLE MOTOR ELECTRICAL DIAGRAM



REPLACING PARTS

DUAL MOTOR ELECTRICAL DIAGRAM



REPLACING PARTS

HOW TO REPLACE PROFESSIONAL SERIES BAFFLE CHANNELS AND FILTERS

Covering models 696, 697, and KECOM.

ZLINE's professional series range hoods are equipped with two removable dishwasher-safe baffle channels in which the filters rest. To install the channels, place them inside the hood under the front and back edges of the hood. The channels are kept in place by installation pieces on the sides and back of each channel. *Figure 1*



WARNING

Never work on or clean the range hood while power is on. Always unplug the unit or switch the electrical breaker to the off position.

NOTE: Baffle channels may already be in place on some wall range hood models. See *Figure 1* for positioning.

To install the filters, first install the removable baffle channel. Next, take the filter and put one end into the permanent baffle channel. Push back into place and pull down, sliding the bottom of the filter in. Position the filters so they rest on both lips of the baffle channels. The edges of the baffle filters should have open slats on the outside edges. *Figure 2*

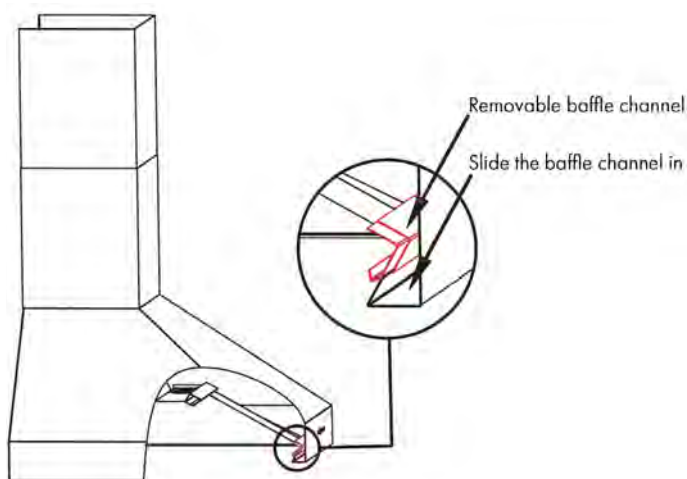


Figure 1

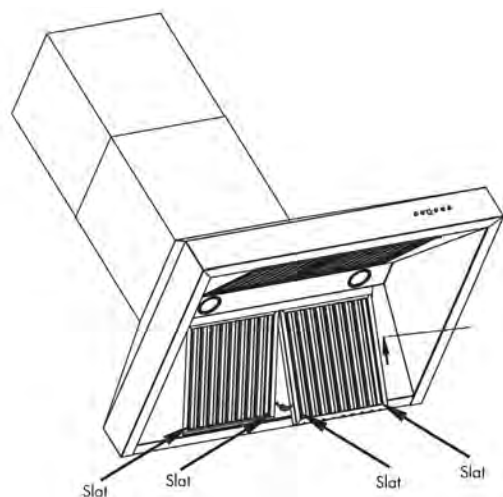


Figure 2

REPLACING PARTS

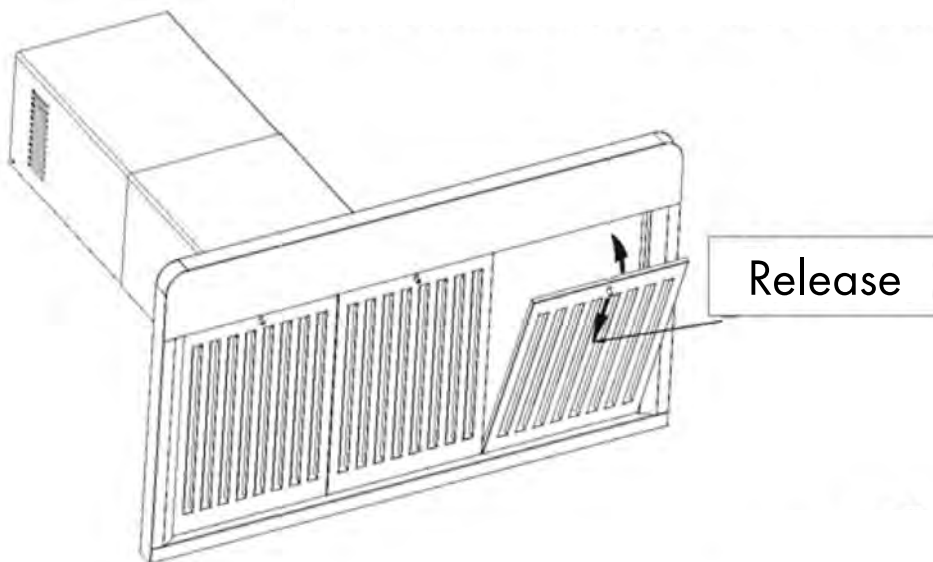


WARNING

Edges on the baffle filters and baffle channels may be sharp — please use caution when installing and removing. Use of gloves during installation is highly recommended. Do not attempt to disassemble baffle filters, as the process may result in injury.

HOW TO REPLACE SPRING-LOADED BAFFLE FILTERS

If your range hood has baffle filters with a knob, to remove the filter from the hood, pull back toward the wall and then tilt the knob side of the baffle filter downward.



Scan for a
baffle filter
installation
tutorial video

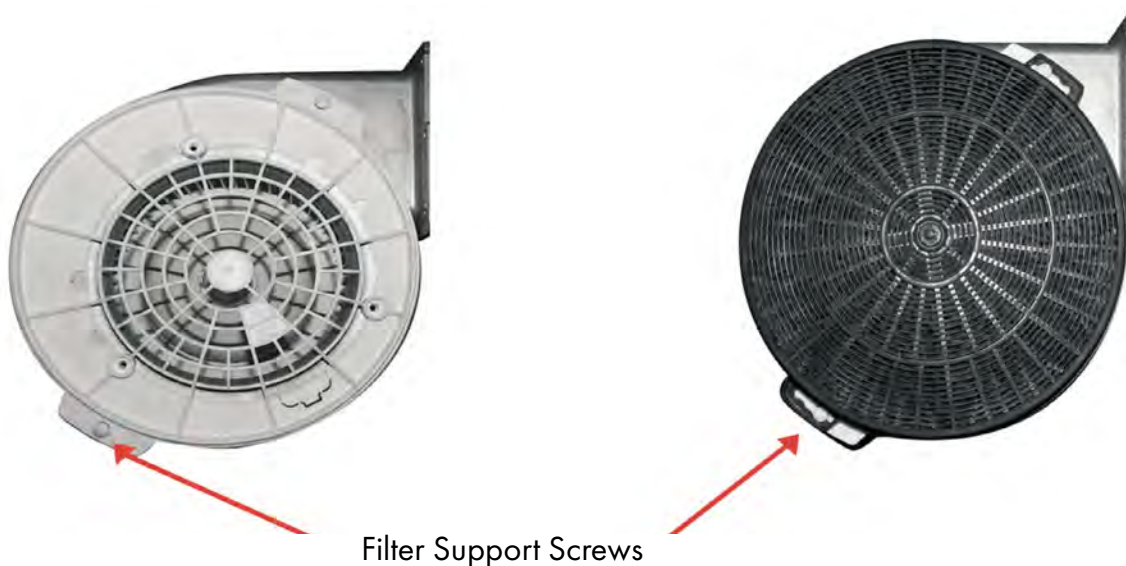


Scan for a
baffle filter
use and care
tutorial video

REPLACING PARTS

HOW TO REPLACE OR CHANGE CHARCOAL FILTERS

It is recommended to use ducting to direct vent your range hood whenever possible. If your situation does not allow for a direct vent installation, carbon charcoal filters are available to recirculate the air through your hood.



1. Remove the baffle filters to access your hood's motor(s).
2. Locate the existing support screws securing the filters on each side.
3. For each motor side, position the filter over its support screw and rotate to lock into place.

NOTE: Charcoal filter replacement is recommended every 6 months. Replace more often if you cook often or if your cooking habits generate more grease. You can purchase replacement filters at www.zlineparts.com.

NOTE: Vented chimney/crown molding is required for efficient recirculation.



Never work on or clean the range hood while power is on. Always unplug the unit or switch the electrical breaker to the off position.



Scan for a charcoal filter installation tutorial video

REPLACING PARTS

HOW TO CLEAN AND REPLACE THE GREASE CUP

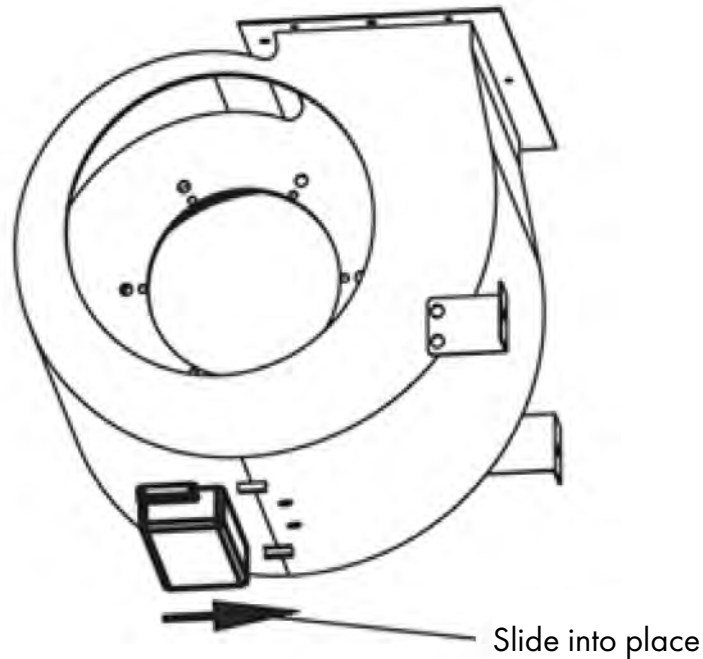
A removable plastic grease cup is designed to catch excess grease at the bottom of the motor. It's recommended to remove it every 2–3 months, wash it, then re-install it.

To remove or install the grease cup, remove the baffle filters on your hood and slide the cup into brackets located at the bottom of the motor. See below.



WARNING

Never work on or clean the range hood while power is on. Always unplug the unit or switch the electrical breaker to the off position.



Scan for a grease cup installation tutorial video.

TROUBLESHOOTING

ISSUE	POSSIBLE CAUSE	SOLUTION
"ZLINE Audio" won't appear in the Bluetooth settings.	Check if the electrical connections are secure. A chime will sound if the connection is successful.	Turn off and on your smart phone's Bluetooth settings to allow time for the CrownSound™ to pair. If "ZLINE Audio" still will not appear, call ZLINE Customer Service at 1-614-777-5004 for help.
What do I do if the hood is working but pulling air slower than normal?	Check your baffle filters for buildup and clean or replace it if needed.	If the problem still persists, check for obstructions in your ductwork. A common obstruction is buildup in the roof or wall cap, such as bird nests, leaves, or other debris.
My range hood will not operate.	Check that there is power to the range hood.	The most common issue is that the circuit breaker is off or the fuse has blown.
		Make sure the speed has been selected at the range hood controls.
		Turn off the power to the range hood and check that all wires are properly connected. Refer to your specific model's installation instructions for proper wiring.
My hood is making a rattling noise.	The motor is loose.	Turn off the power and remove the filter and check that all screws are secure and tight around the motor.
	The duct work connection is loose.	Turn off the power to the unit and check that the ductwork connection to the pipe is tight. Add duct tape if necessary.

TROUBLESHOOTING

ISSUE	POSSIBLE CAUSE / SOLUTION
My range hood does not have power.	<p>Check electrical connections.</p> <p>Check that all connections to the circuit board are secure.</p> <p>If problem still exists, please call our customer service line.</p>
Noisy Motor	<p>Were the fan speeds checked fan speeds prior to installation?</p> <p>Is the ducting clear?</p> <p>Check to make sure motor is attached to housing.</p> <p>If there is an external damper installed at the exit point of the ducting, check that it is fully functioning by engaging the hood and checking if it opens and closes properly.</p> <p>If the motor is accessible, the motor knob can be tightened.</p>

TROUBLESHOOTING

ISSUE	POSSIBLE CAUSE / SOLUTION
<p>My range hood is not pulling.</p>	<p>Was the unit plugged in and was the fan checked before installation?</p> <p>What distance is the hood mounted above the cooking surface? Make sure the distance is 30"–36" (762 mm–914 mm).</p> <p>Is the range hood width the correct size for the cooking surface?</p> <p>Does the hood move enough CFM in relationship to the BTUs of the cooking surface? Remember — BTU output per burner/100 - for gas, and wattage output per burner/10 - for electric.</p> <p>Are the baffle filters or mesh filters installed correctly? When were they last cleaned?</p> <p>Is the ducting clear?</p> <p>If there is an external damper installed at the exit point of the ducting, does it open properly once the hood is turned on?</p> <p>Is there air coming out of the upper chimney section?</p> <p>When tissue is placed on the baffle filters under the hood, does it hold the tissue?</p> <p>How many elbows and how long is the ducting run? Should be no more than 2–3 elbows and no more than a 40' (12192 mm) run to exit — for every elbow subtract 5' (1524 mm).</p> <p>Is the air recirculating? When were the carbon filters last changed? The carbon filters need changed every 3–6 months based on your cooking habits.</p>

WARRANTY

COVERAGE

ZLINE Kitchen and Bath ("ZLINE") range hood parts will be warrantied for three years from the original date of product delivery for the original purchaser of the product.

ZLINE warranty periods begin from the original date of product delivery and solely cover the original purchaser of the product, delivered new and in its original carton. ZLINE will provide free-of-charge, non-consumable replacement parts for the components that failed due to manufacturing defects.

Additionally, range hoods purchased on or after January 2017 carry a lifetime warranty on the motor. It is the responsibility of the customer to install all replacement parts and motors, as ZLINE does not perform service repairs on its range hood products.

ZLINE's liability is limited to the original purchase price of the product. Additional injuries, losses, damages, or other inconveniences caused by product malfunction or defects in materials are not covered under the terms of this warranty.

TERMS

ZLINE warranties apply only to the original purchaser of a ZLINE product installed for normal residential use. This is defined as a single-family, residential dwelling in a non-commercial setting. Any warranty claim stemming from installation, operation, or any other use within a commercial setting is not covered under this limited warranty. Commercial settings include, but are not limited to: schools, churches, hotels, restaurants, vacation rentals such as Airbnb, daycare centers, private clubs, fire stations, common areas in multi-family dwellings, nursing homes, food service locations, and institutional food service locations such as hospitals or correctional facilities.

This warranty is non-transferable and will not under any circumstance be extended based on the date of installation — the warranty period takes effect from the date of delivery and only covers the original purchaser. The warranty applies only to products installed in the contiguous United States and the District of Columbia.

WARRANTY

Out-of-pocket payments will not be reimbursed for replacement parts unless prior approval is received from ZLINE. Unapproved out-of-pocket payments for parts will not be reimbursed. Out-of-pockets for any type of service will not be reimbursed, as ZLINE does not perform service repairs on its range hood products. All warranty procedures must be followed to maintain warranty coverage.

If ZLINE is unable to replace the defective part after a reasonable number of attempts, ZLINE reserves the right to offer to replace the product or provide the original purchaser a full refund of the purchase price of the product (not including installation, removal, or other charges that were not included in the original purchase price).

The original purchaser of the product must provide the original proof of purchase, including the purchase date, when filing a claim to obtain replacement parts or refunds. Additionally, the original purchaser of the product must provide the serial number of the product when filing a claim to obtain replacement parts or refunds.

This warranty shall not apply to any ZLINE product in which the original factory serial number has been removed, altered, or cannot be readily determined for any reason. Further, ZLINE is not responsible for damage resulting from, but not limited to: shipment, delivery, or improper installation; negligence or improper maintenance, misuse, or abuse of the product; unauthorized alteration, modification, or tampering with the product; accident, fire, floods, pest infestations, pandemics, natural disasters, or any other unpreventable or unexplained acts of nature, commonly referred to as "acts of God"; flare-up fires or damages caused by improper electric supply, electrical line current, voltage, or power surges; and service to correct installation not in accordance with the instructions contained in ZLINE's product manuals and/or with local government codes.

Additionally, this range hood warranty does not apply to aesthetic damage, scratches, or natural wear caused by normal use; second-hand, open box products, or products purchased from an unauthorized retailer; consumable parts including, but not limited to, metal and charcoal filters; and damages, problems, or any type of performance-related issues stemming from alteration or tampering with the range hood, including, but not limited to, painting stainless steel, black stainless, Satin Stainless Steel, or designer- or wood-finished range hoods, and cutting the 3-prong plug to manually hardwire the hood.

WARRANTY

CUSTOMER SERVICE AND PARTS INFORMATION



Please contact ZLINE Customer Service for questions and troubleshooting help at 1-614-777-5004 or visit www.zlinekitchen.com/contact to utilize our online Customer Experience Portal.



Scan the QR code to view the most up-to-date version of ZLINE's range hood Installation and User Manuals.



Need to purchase a part or accessory for your ZLINE product? Visit www.zlineparts.com, ZLINE's official parts distribution partner.

2.3.3

zlinekitchen.com

1-614-777-5004

contact@zlinekitchen.com

ZLINE
ATTAINABLE LUXURY®