



SPECIFICATIONS

COS-CTGH305SS Cooktop



Size	30 Inch
Installation	Drop-In
Fuel	Gas
Controls	Knobs
Material	304 Stainless Steel
Electrical	120V / 60Hz
Certifications	CSA Certified
Included Components	Hardware, Install Kit, Power Cord, User Manual
Burners	<ul style="list-style-type: none">• Center / 22,000 BTU• Left Front / 12,000 BTU• Right Front / 10,000 BTU• Left Rear / 9,000 BTU• Right Rear / 6,000 BTU

COS-CTGH305SS

Cosmo's COS-CTGH305SS Gas Cooktop features 5 burners that allow you to cook from a high heat to a low simmer for the most delicate sauces. A powerful 22,000 BTU burner allows you to cook faster while maintaining performance for frying or searing.

Features

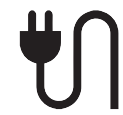
- Designed for drop-in installation
- 5 sealed gas burners
- Electronic ignition
- Stainless steel surface
- Heavy-duty cast iron grates
- 3-prong plug



Gas Fuel



Control Knobs



3-Prong Plug

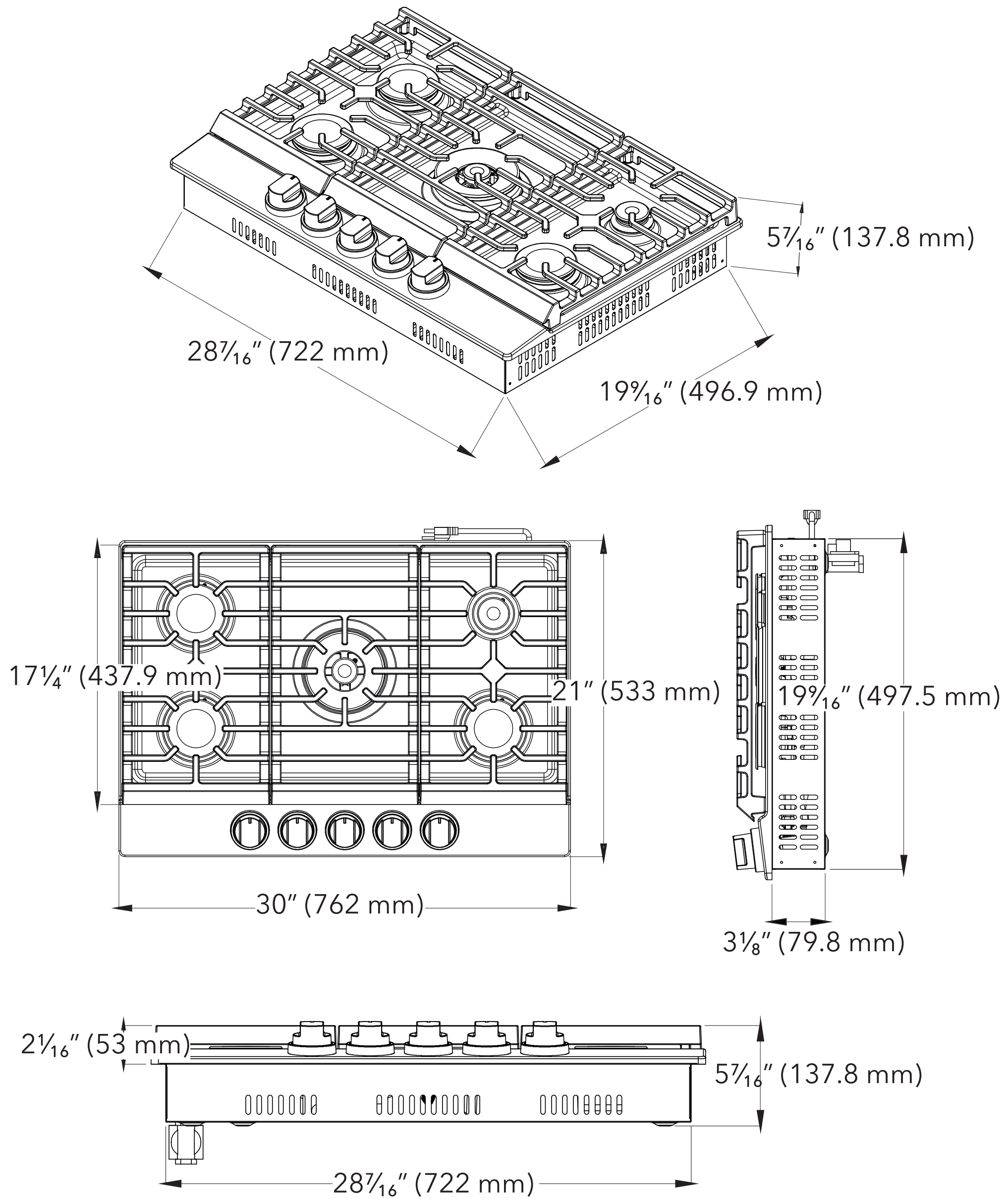


See Page 2 for dimensions



DIMENSIONS

COS-CTGH305SS Cooktop



Dimensions (WxDxH): 30" x 21" x 5.9"