



SPECIFICATIONS

COS-ERC365KBD-BK Electric Range



Size	36 Inch / 6.1 cu. ft. Capacity
Fuel	Electric
Installation	Freestanding / Slide-In
Controls	Button Controls & Knobs
Oven	Standard Convection
Material	Glass, Matte Black
Electrical	240V / 60Hz, 50A
Racks	2 Racks, 6 Positions
Oven Functions	Bake, Convection Bake, Convection Roast, Pizza, Warm, Broil
Burners	<ul style="list-style-type: none">• Front Right / 3000W (1200W + 1800W)• Front Left / 3000W (1500W + 1500W)• Rear Left / 1200W• Rear Right / 1200W• Rear Middle / 1200W

COS-ERC365KBD-BK

Refine your culinary skills when you cook with Cosmo's COS-ERC365KBD-BK Electric Range. 5 burners and 6.1 cu. ft. convection oven allow you to cook a variety of main dishes, sauces, baked goods and more.

Features

- Designed for freestanding or slide-in
- 5 surface burner cooktop with dual element burners
- 6.1 cu. ft. capacity convection oven
- 6 oven functions
- Button controls with digital display
- Front control knobs
- Matte black finish



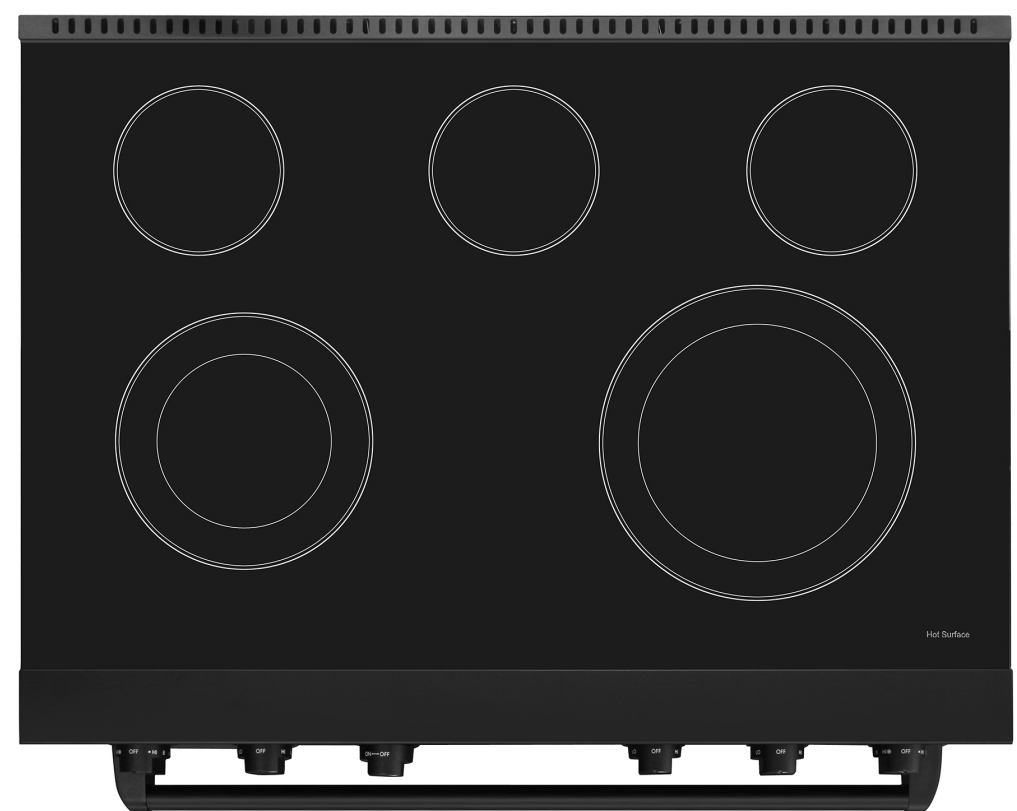
Surface Burners



Glass Cooktop



Digital Controls

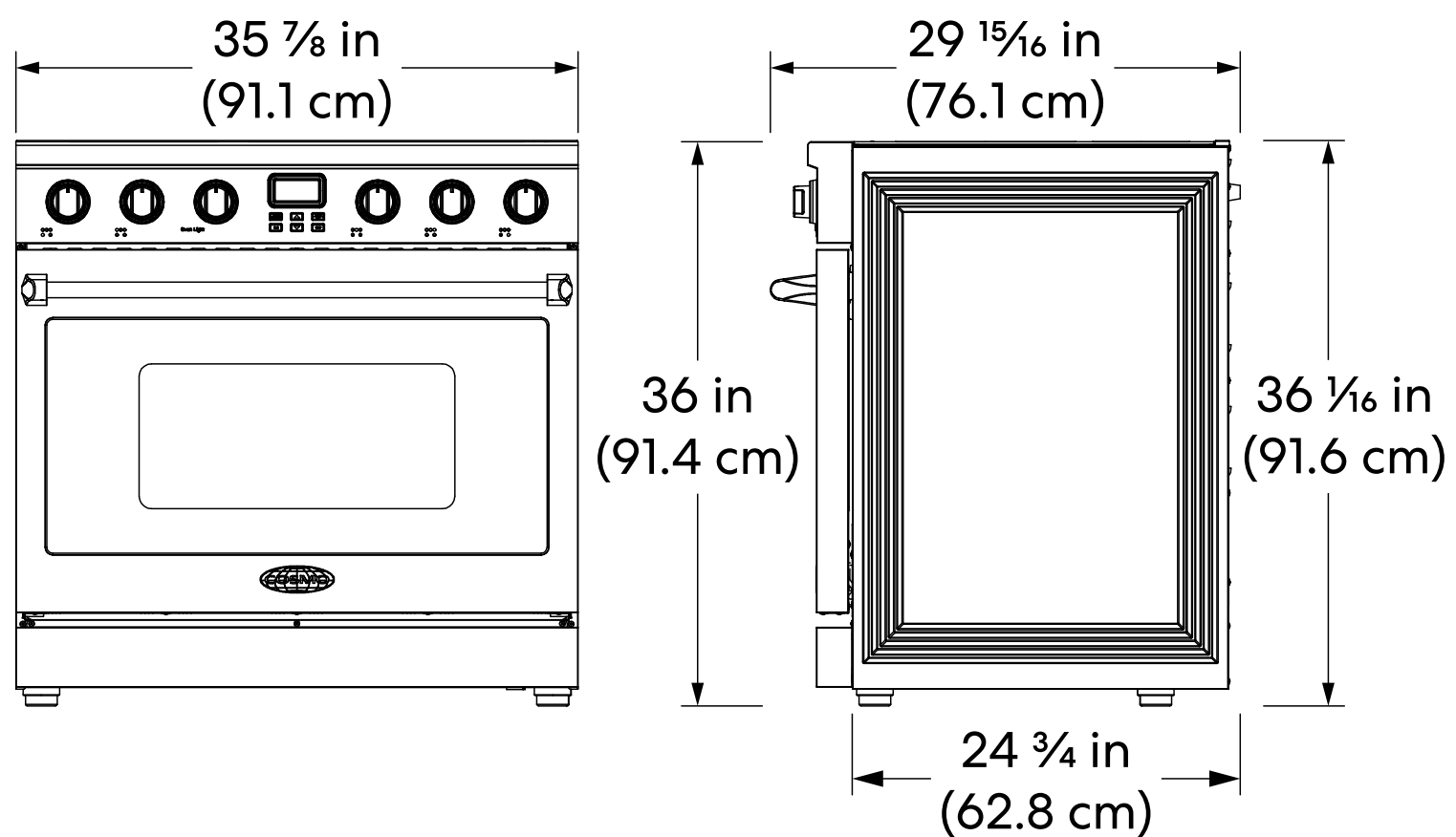
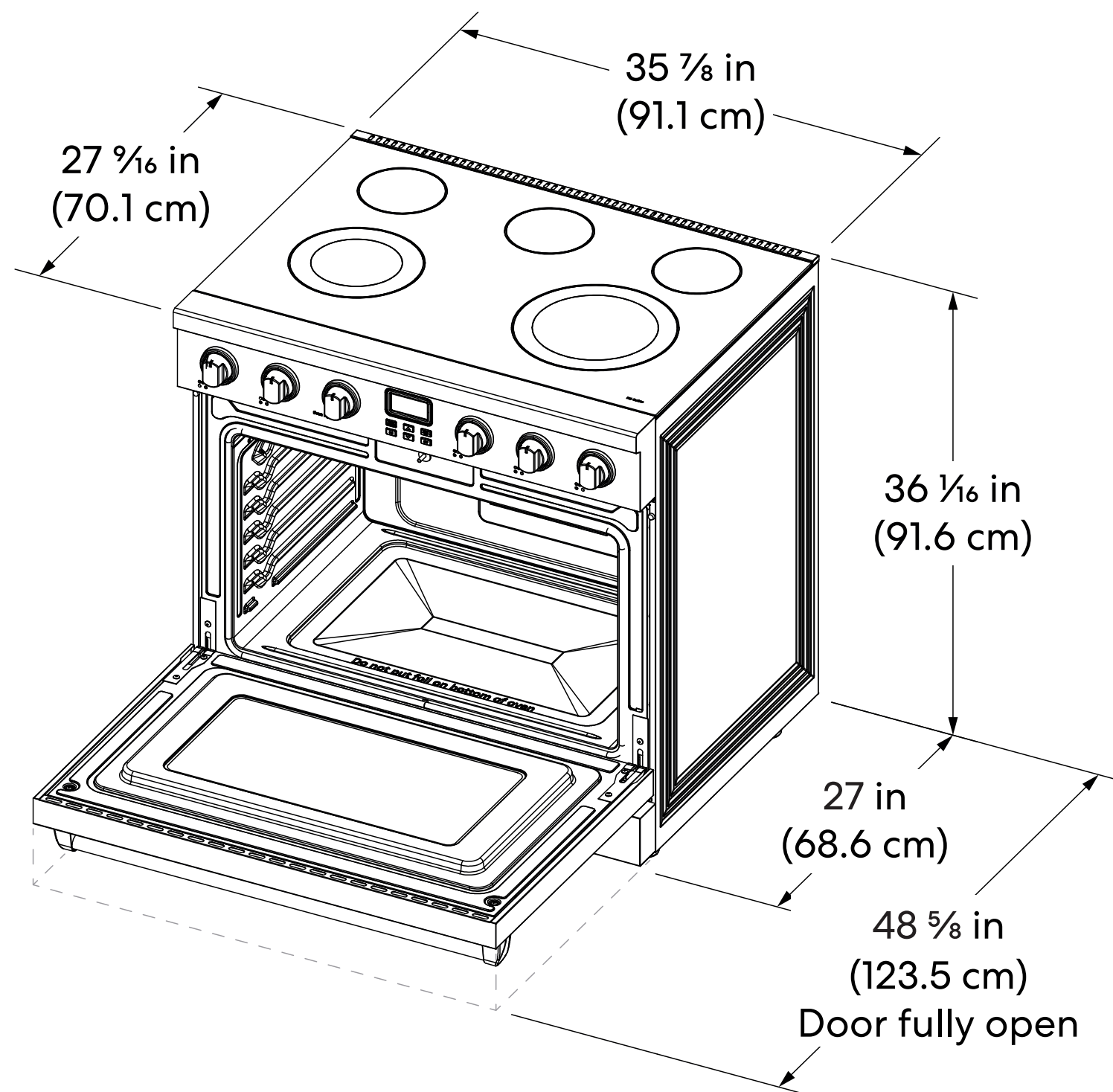


See Page 2 for dimensions



DIMENSIONS

COS-ERC365KBD-BK Electric Range



Dimensions (WxDxH): 35.9" x 27" x 36"