



SPECIFICATIONS

COS-WOMCR302SS Wall Oven & Microwave Combo



Size	30 Inch, 4.8 / 1.6 cu. ft. Capacity
Type	Electric
Installation	Built-in
Controls	Touch Controls, Digital Display
Convection	Turbo True European (Upper) Standard (Lower)
Finish	Stainless Steel
Electrical	240V / 60Hz, 34A, 6150W
Upper Oven Functions	Air Fry, Beverage, Broil, Convection, Cook Time, Defrost, Popcorn, Sensor Cook, Sensor Reheat, Soften/Melt
Lower Oven Functions	Air Fry, Bake, Broil, Warm, Proof, Pizza, Convection Bake, Convection Roast, Delay Start
Included Components	Air Fry Basket, Broiler Pan, 3 Racks, Installation Kit, Power Cord

COS-WOMCR302SS

The perfect piece for any contemporary kitchen, Cosmo's COS-WOMCR302SS Electric Wall Oven & Microwave Combo features a 4.8 cu. ft. oven and a 1.6 cu. ft. microwave oven with an Air Fry function.

Features

- Designed for built-in installation
- 4.8 cu. ft. oven and 1.6 cu. ft. microwave oven
- Turbo True European Convection in upper oven
- Turntable and presets in upper microwave oven
- Digital touch controls
- Self-cleaning lower oven function
- Temperature probe in lower oven
- Gliding oven racks with multiple positions in lower oven



Self-Clean Function



Air Fry Function



Digital Controls



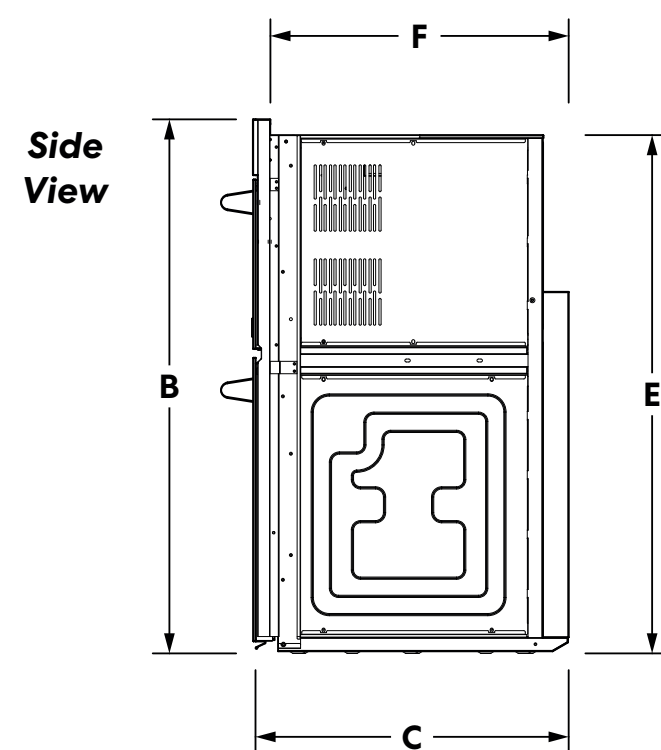
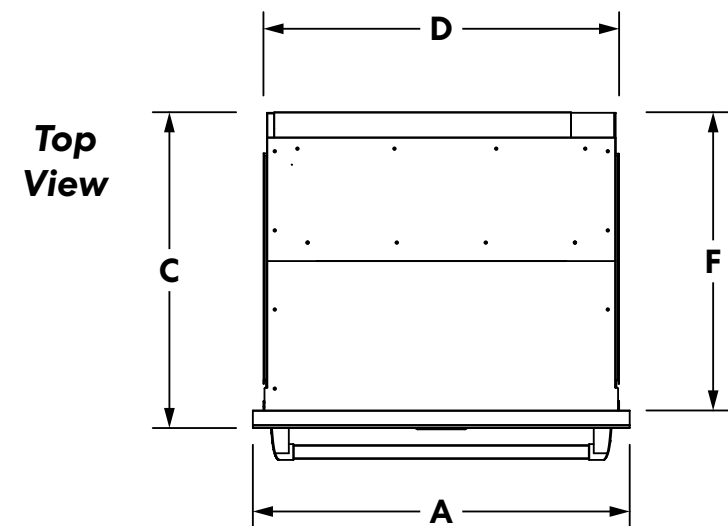
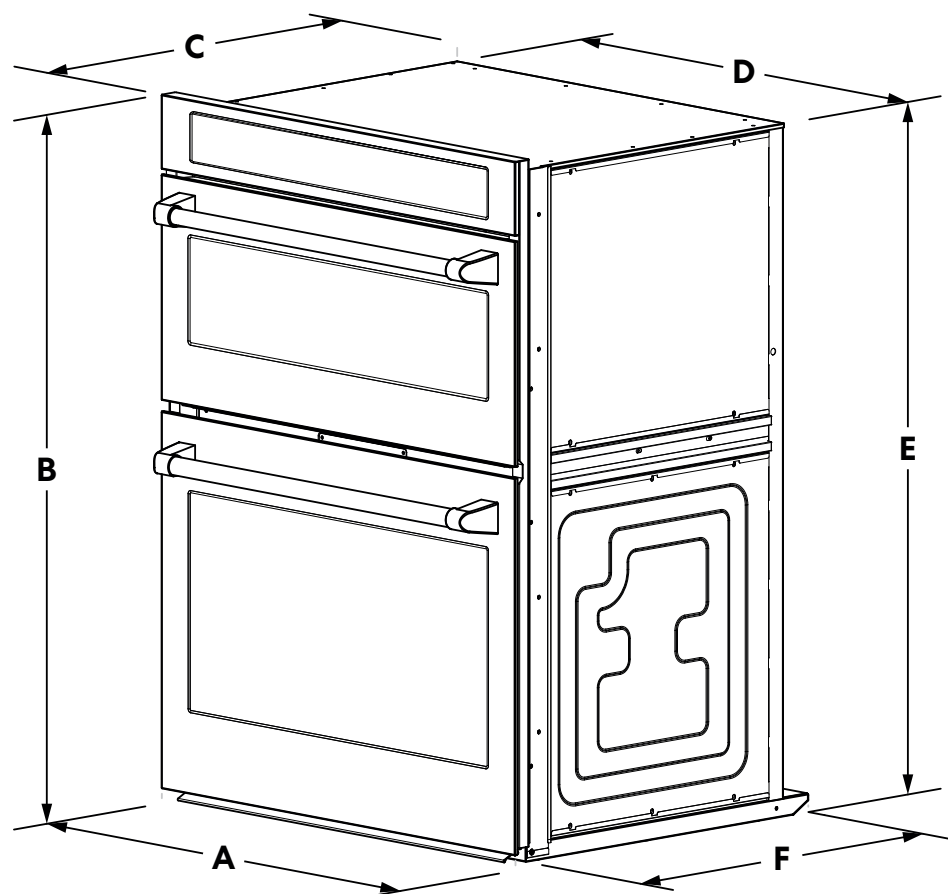
See Page 2 for dimensions

For more information, please visit: www.cosmoappliances.com



DIMENSIONS

COS-WOMCR302SS Wall Oven & Microwave Combo



Label	Description	Dimension
A	Overall width	30" (76.2 cm)
B	Overall height	42 ½" (108.0 cm)
C	Overall depth	25 ⅛" (63.8 cm)
D	Recessed width	28 ⅝" (71.9 cm)
E	Recessed height	41 ¼" (104.8 cm)
F	Recessed depth	23 ¾" (60.4 cm)

Dimensions (WxDxH): 30" x 25.1" x 42.5"