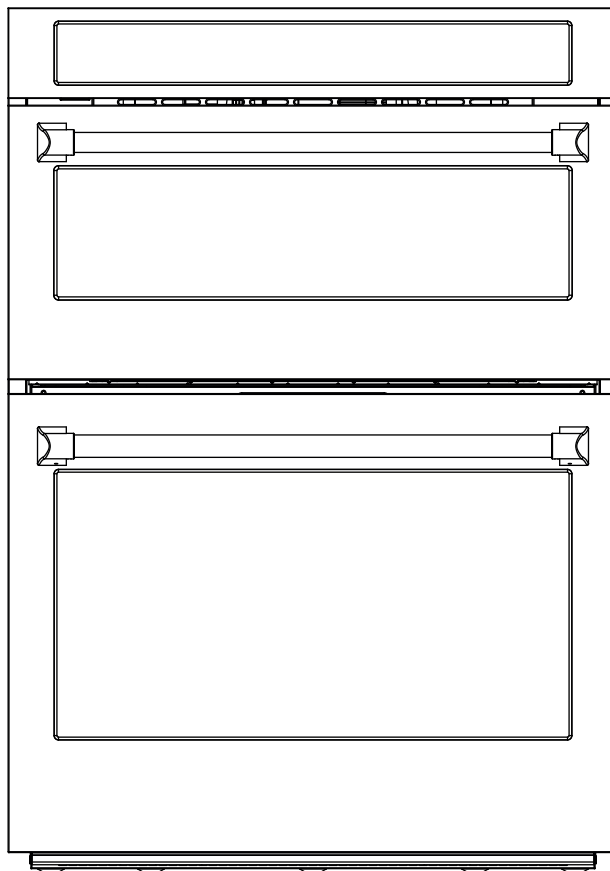




WALL OVEN & MICROWAVE COMBINATION

COS-WOMCR302SS



INSTALLATION INSTRUCTIONS

IMPORTANT: READ AND SAVE THESE INSTRUCTIONS.
FOR RESIDENTIAL USE ONLY.

INSTALLER: PLEASE LEAVE THESE INSTRUCTIONS WITH THIS UNIT FOR THE OWNER.

OWNER: PLEASE RETAIN THESE INSTRUCTIONS FOR FUTURE REFERENCE.

THANK YOU FOR YOUR PURCHASE

We know that you have many brands and products to choose from and we are honored to know that you have decided to take one of our products into your home and hope that you enjoy it.

COSMO Appliances are designed according to the strictest safety and performance standard for the North American market. We follow the most advanced manufacturing philosophy. Each appliance leaves the factory after thorough quality inspection and testing. Our distributors and our service partners are ready to answer any questions you may have regarding how to install, use and care for your products. We hope that this manual will help you learn to use the product in the safest and most effective manner.

Before using this product, please read through this manual carefully. Keep this manual in a safe place for future reference. Please ensure that other persons using this product are familiar with these instructions as well.

If you have any questions or concerns, please contact the dealer from whom you purchased the product, or contact our Customer Support at:

1-888-784-3108

Reach us online at:

www.cosmoappliances.com



TABLE OF CONTENTS

Built-in Combination Oven Safety	4
Important Safety Instructions	5
Installation Requirements	6
Tools and Parts	6
Location Requirements	9
Product Dimensions	10
Cabinet/Cutout Dimensions	11
Electrical Requirements.....	13
Installation Instructions	16
Prepare the Opening.....	16
Unpack and Prepare Combination Oven.....	16
Remove/Install Gliding Oven Racks	18
Remove/Replace Oven Door	19
Install/Remove Oven Door Handle	21
Make Electrical Connection	24
Connecting the Flexible Conduit.....	24
4-Wire Connection	26
3-Wire Connection.....	27
Install Combination Oven	28
Complete Installation.....	31
Test the Combination Oven Before Use	31

BUILT-IN COMBINATION OVEN SAFETY

Your safety and the safety of others are very important.

We have provided many important safety messages in this manual and on your appliance. Always read and obey all safety messages.



- This is the safety alert symbol.
- This symbol alerts you to potential hazards that can kill or hurt you and others. All safety messages will follow the safety alert symbol and either the word **WARNING** or **CAUTION**.



- You can be killed or seriously injured if you do not follow instructions.



- You may be injured or cause damage to the product if you do not follow instructions.

All safety messages will tell you what the potential hazard is, tell you how to reduce the chance of injury, and tell you what can happen if the instructions are not followed.

Precautions to Avoid Possible Exposure to Excessive Microwave Energy

- Do not attempt to operate this oven with the door open since open-door operation can result in harmful exposure to microwave energy. It is important not to defeat or tamper with the safety interlocks.
- Do not place any object between the oven front face and the door or allow soil or cleaner residue to accumulate on sealing surfaces.
- Do not operate the oven if it is damaged. It is particularly important that the oven door close properly and that there is no damage to the:
 - door (bent),
 - hinges and latches (broken or loosened),
 - door seals and sealing surfaces.
- The oven should not be adjusted or repaired by anyone except properly qualified service personnel.

IMPORTANT SAFETY INSTRUCTIONS

Read all instructions carefully before installation.

WARNING

To reduce the risk of fire, explosion, death, electric shock, injury or scalding to persons when using the appliance, follow basic precautions, including the following:

Installation

- Never allow anyone to climb, sit, stand or hang on the oven door. Injury might result from contact with hot food or the oven itself.
- Do not line the oven walls, racks, bottom, or any other part of the oven with aluminum foil or any other material. Doing so will disrupt heat distribution, produce poor baking results and cause permanent damage to the oven interior. (Aluminum foil will melt on the interior surface of the oven.)
- Do not use aluminum foil or any other material to line the oven bottom. Improper installation of oven liners may result in a risk of electric shock or fire.
- Make sure your appliance is properly installed and grounded by a qualified installer, according to the installation instructions. Any adjustment and service should be performed only by qualified installers or service technicians.
- Be certain that all packing materials are removed from the appliance before operating. Keep plastic, clothes, paper, and other flammable materials away from parts of the appliance that may become hot.
- The electrical power must be shut off while the electrical connections are being made.
- Improper connection of aluminum house wiring to copper leads can result in an electrical hazard or fire. Use only connectors designed for joining copper to aluminum and follow the manufacturer's recommended procedure closely.
- This appliance is intended for normal residential use. It is not approved for commercial use, outdoor installation, or any other application not specifically allowed by this manual.
- Flexible conduit from the appliance should be connected directly (hard-wired) to an approved junction box. A plug or receptacle is NOT permitted on all built-in electric wall ovens.
- This appliance requires a single-phase, 208 VAC or 240 VAC, 60 Hz grounded electrical source dedicated to the appliance. When installed, appliance must be electrically grounded in accordance with local codes or, in the absence of local codes, with the National Electrical Code, ANSI/NFPA 70 or the Canadian Electric Code, CSA C22.1-02.
- Proper installation is the responsibility of the installer. Any adjustment and service should be performed only by qualified oven installers or service technicians. The manufacturer is not responsible for any injury or damage that may result from incorrect or defective installation by unauthorized personnel.
- Product failure due to improper installation is not covered under warranty.
- Do not use a steam cleaner to clean the appliance.
- This appliance is not intended to be operated with separate remote control system.

READ AND SAVE THESE INSTRUCTIONS

INSTALLATION REQUIREMENTS

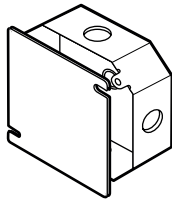
TOOLS AND PARTS

Gather the required tools and parts before starting installation. Read and follow the instructions provided with any tools listed here.

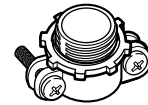
TOOLS NEEDED

- Phillips screwdriver
- Flat-blade screwdriver
- Hand or electric drill
- Drill bit
- Measuring tape
- Level
- Safety glasses
- Gloves

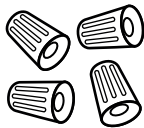
PARTS NEEDED



Junction box



Conduit connector
(UL listed or CSA approved)



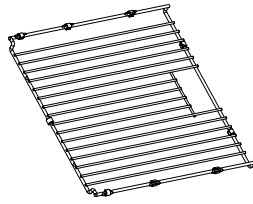
Wire connectors
(UL listed or CSA approved)



36" (91 cm) of string

PARTS SUPPLIED

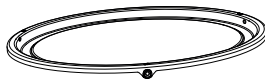
UPPER OVEN



Oven rack

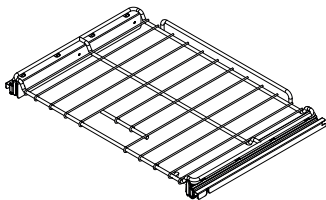


Ceramic tray

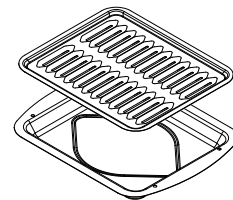


Metal turntable

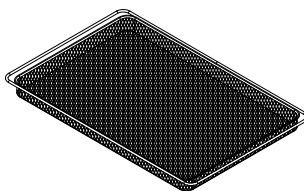
LOWER OVEN



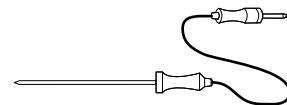
Gliding oven rack (2)



2-piece broiler pan

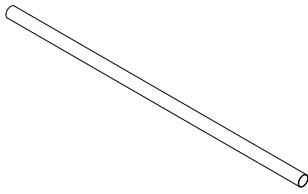


Air fry tray

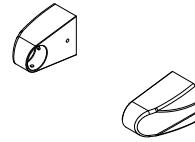


Meat probe

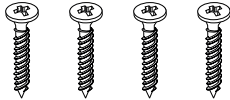
INSTALLATION HARDWARE



Oven door handle (2)



Door handle end caps (4)



4 x 14 mm wood mounting screws (4 + 2 spare)



Hex key

Note:

- To purchase these replacement parts or any other accessories, please visit www.cosmoappliances.com or refer to the contact information referenced at the end of this manual.

LOCATION REQUIREMENTS

IMPORTANT: Observe all governing codes and ordinances.

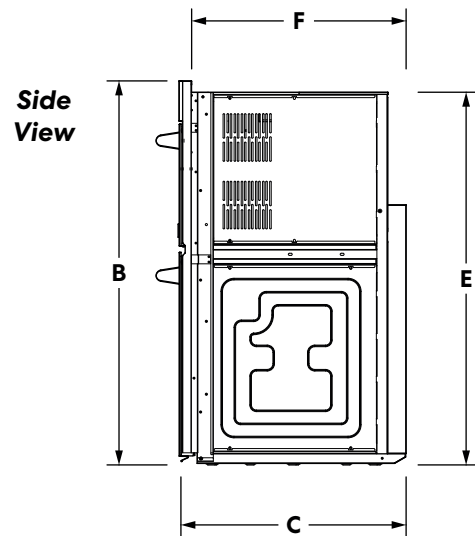
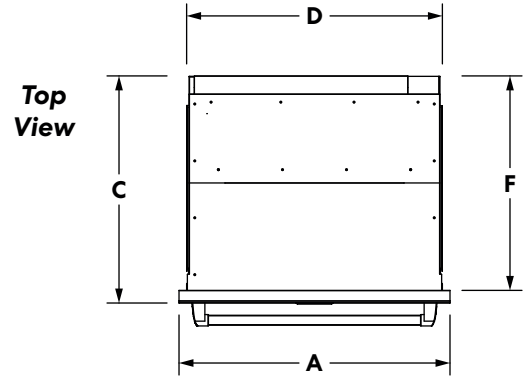
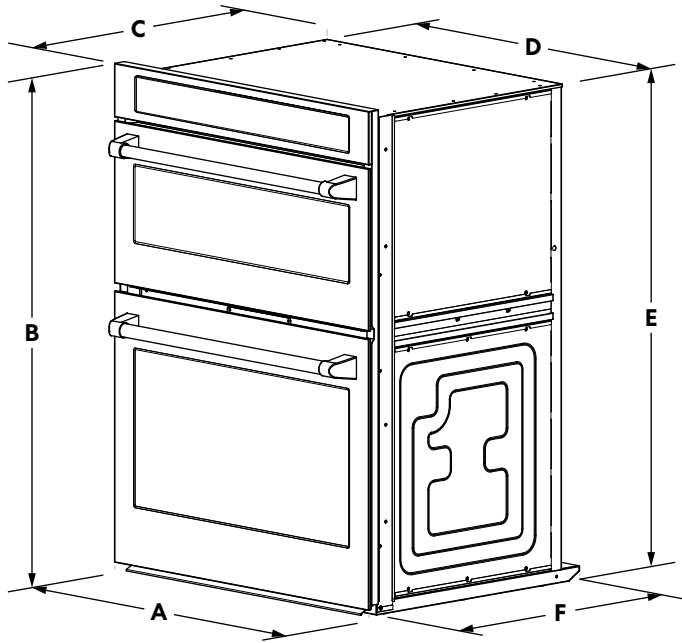
CAUTION

- The cabinet base platform must be able to support 243 lbs (110 kg) for this appliance plus food load of 45 lbs (20 kg). If the cabinet does not have a solid bottom, two braces or runners must be installed level with the bottom of the cutout to support the weight of the appliance. Make sure the base is level and the front of the cabinet is square. If the cabinet base is not level, the oven racks will tend to slide out when opening the door.
 - Check with your builder or cabinet supplier to make sure the materials used on the cabinets and wall coverings around the oven can withstand the temperature up to 194°F (90°C) generated by the oven. Discoloration, delamination or melting may occur.
 - Kitchen cabinets in contact with the oven must be heat resistant up to 194°F (90°C), and fronts of nearby units up to at least 158°F (70°C).
 - DO NOT remove spacers on the side walls of the built-in oven. These spacers center the oven in the space provided. The oven must be centered to prevent excess heat buildup that may result in heat damage or fire.
 - The information in this manual should be followed exactly. Failure to do so could result in fire or electrical shock, causing property damage, personal injury or death.
 - Be sure the oven is securely installed in a cabinet that is firmly attached to the house structure.
 - DO NOT put any weight on the oven door. Never allow anyone to climb, sit, stand or hang on the oven door. Weight on the oven door could cause the oven to tip and result in injury from contact with hot food or the oven itself.
 - DO NOT block the oven air exhaust located at the bottom of the oven. Blocking the exhaust may cause cabinet damage and product malfunction.
-
- If marks, blemishes or the cutout opening are visible above the installed appliance, it may be necessary to add wood shims under the runners and front trim until the marks or opening are covered.
 - If the cabinet does not have a front frame and the sides are less than 3/4" (1.9 cm) thick, shim both sides equally to establish the cutout width.
 - The junction box must be flush with the conduit opening of the cabinet.
 - Grounded electrical supply is required. See "Electrical Requirements" section.
 - Allow at least a 23" (58.4 cm) clearance for the oven door depth when it is open.

PRODUCT DIMENSIONS

Your model may appear different from the model depicted. Dimensions given are maximum dimensions.

30" Model: COS-WOMCR302SS



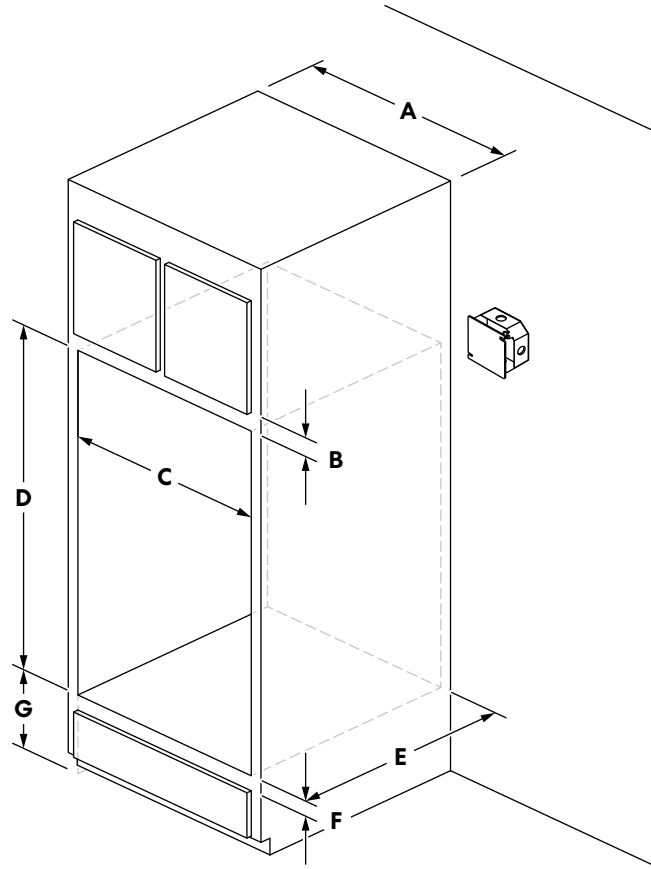
Label	Description	Dimension
A	Overall width	30" (76.2 cm)
B	Overall height	42 ½" (108.0 cm)
C	Overall depth	25 ⅞" (63.8 cm)
D	Recessed width	28 ⅝" (71.9 cm)
E	Recessed height	41 ¼" (104.8 cm)
F	Recessed depth	23 ¾" (60.4 cm)

CABINET/CUTOUT DIMENSIONS

Measure the current cutout dimensions and compare them to the cutout dimensions shown below. Little or no cabinet work may be necessary.

Given dimensions are minimum clearances.

STANDARD INSTALLATION



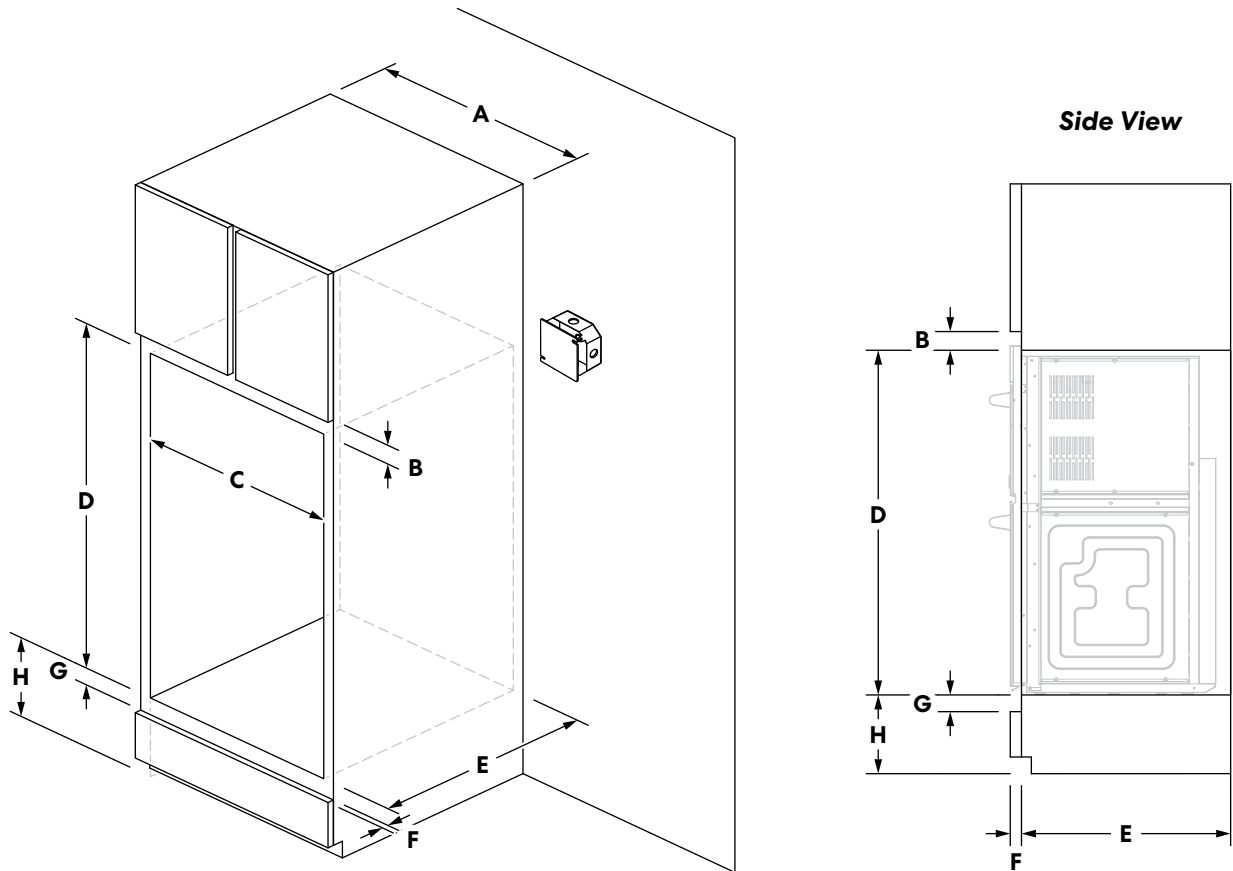
Label	Description	Dimension
A	Cabinet width	30" (76.2 cm)
B	Top of cutout to bottom of upper cabinet door	1" (2.5 cm)
C	Cutout width	28 ½" (72.4 cm)
D	Cutout height	41 ¾" (106.0 cm)
E	Cutout depth	22 ⅛" (61.0 cm)
F	Bottom of cutout to top of lower cabinet door	1 ½" (3.8 cm)
G	Recommended bottom of cutout to floor	7 ½" - 15 ⅜" (19.1 - 40.1 cm)

FLUSH INSTALLATION

A 25 $\frac{7}{16}$ " (64.6 cm) minimum cabinet depth is required.

The front face of the cleats and platform will be visible and should be treated as a finished surface.

Cleats must be recessed 1 $\frac{3}{8}$ " (3.6 cm) from the front of the cabinet.



Label	Dimensions	Measurements
A	Flush inset Cutout width	30 $\frac{1}{4}$ " (76.8 cm)
B	Top cleat (spacer) height	1" (2.5 cm)
C	Cutout width	28 $\frac{1}{2}$ " (72.4 cm)
D	Cutout height	41 $\frac{3}{4}$ " (106.0 cm)
E	Cutout depth	22 $\frac{1}{6}$ " (61.0 cm)
F	Cleat (spacer) inset from front of cabinet	1 $\frac{3}{8}$ " (3.6 cm)
G	Recommended bottom cleat (spacer) clearance	$\frac{3}{4}$ " (1.9 cm)
H	Recommended bottom of cutout to floor	7 $\frac{1}{2}$ " - 15 $\frac{1}{6}$ " (19.1 - 40.1 cm)

ELECTRICAL REQUIREMENTS

WARNING



Electrical Shock Hazard

- This appliance must be properly grounded.
- Do not use an extension cord with this appliance.
- Remove house fuse or open circuit breaker before beginning installation.
- Failure to do so could result in death, fire, or electrical shock.

If codes permit and a separate ground wire is used, it is recommended that a qualified electrical installer determine that the ground path and the wire gauge are in accordance with local codes.

Check with a qualified electrical installer if you are not sure the oven is properly grounded. This oven must be connected to a grounded metal, permanent wiring system.

Be sure that the electrical connection and wire size are adequate and in conformance with the National Electrical Code, ANSI/NFPA 70-latest edition or CSA Standards C22.1-94, Canadian Electrical Code, Part 1 and C22.2 No. O-M91-latest edition, and all local codes and ordinances.

A copy of the above code standards can be obtained from:

National Fire Protection Association
1 Batterymarch Park
Quincy, MA 02169-7471

CSA International
8501 East Pleasant Valley Road
Cleveland, OH 44131-5575

ELECTRICAL CONNECTION

Check with your local utilities for electrical codes which apply in your area. Failure to wire your oven according to governing codes could result in a hazardous condition.

We recommend you have the electrical wiring and hookup of your appliance connected by a qualified electrician. After installation, have the electrician show you how to disconnect power from the appliance.

To properly install your appliance, you must determine the type of electrical connection you will be using and follow the instructions provided for it here.

- Appliance must be supplied with the proper electrical voltage, amperage, and frequency as specified on the model/serial/rating plate.
- This appliance requires a single-phase, 208 VAC or 240 VAC, 60 Hz electrical system dedicated to the appliance. It is the personal responsibility of the owner to provide the correct electrical service for this appliance.
- This appliance must be connected to an individual (dedicated to the appliance), properly grounded branch circuit, protected by a circuit breaker or fuse.
- Use the chart below to determine the minimum recommended dedicated circuit protection:

Rating at 240 V	Rating at 208 V	Recommended Circuit Size (Dedicated)
≤ 4.8 kW	≤ 4.2 kW	20 Amp
4.9 – 7.2 kW	4.3 – 6.2 kW	30 Amp
7.3 – 9.6 kW	6.3 – 8.3 kW	40 Amp
9.7 – 12.0 kW	8.4 – 10.4 kW	50 Amp

- The appliance, when installed, must be electrically grounded in accordance with local codes, or in the absence of local codes, with the National Electrical Code, ANSI/NFPA 70 or the Canadian Electrical Code, CSA C22.1-02. In Canada, the appliance must be electrically grounded in accordance with Canadian Electrical Code. Be sure your appliance is properly installed and grounded by a qualified technician.
- Effective January 1, 1996, the National Electrical Code requires that new construction (not existing) utilize a 4-conductor connection to an electric oven. When installing an electric oven in new construction, mobile home, recreational vehicle, or an area where local codes prohibit grounding through the neutral conductor, refer to the "4-Wire Connection" in the "Make Electrical Connection" section.
- A circuit breaker is recommended.
- Flexible conduit from the oven should be connected directly (hard-wired) to an approved junction box. A plug or receptacle is NOT permitted on all built-in electric wall ovens.
- The conduit connector must be securely attached to the junction box and the flexible conduit must be securely attached to the conduit connector. If the flexible conduit will not fit within the conduit connector, do not install the oven until a connector of the proper size is obtained.
- Do not cut the conduit. The length of conduit provided is for serviceability of the oven.
- A UL listed or CSA approved conduit connector must be provided.

- If the house has aluminum wiring, follow the procedure below:
 - Connect the aluminum wiring using special connectors and/or tools designed and UL listed for joining copper to aluminum.
 - Follow the electrical connector manufacturer's recommended procedure. Aluminum/copper connection must conform with local codes and industry accepted wiring practices.
 - Be sure that the electrical connection and wire size are adequate and in conformance with the National Electrical Code, ANSI/ NFPA 70-latest edition or CSA Standards C22.1-94, Canadian Electrical Code, Part 1 and C22.2 No. O-M91-latest edition, and all local codes and ordinances.
 - Check with your local utilities for electrical codes which apply in your area. Failure to wire your appliance according to governing codes could result in a hazardous condition.

INSTALLATION INSTRUCTIONS

IMPORTANT:

- This appliance shall be installed only by authorized persons and in accordance with the manufacturer's installation instructions, municipal building codes, and electrical wiring regulations.
- Before beginning the installation, switch power off at the service panel and lock the service disconnecting means to prevent power from being switched on accidentally. When the service disconnecting means cannot be locked, securely fasten a prominent warning device, such as a tag, to the service panel.

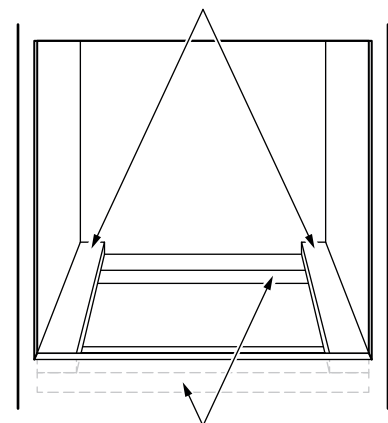
PREPARE THE OPENING

1. Decide on the final location for the combination oven. Avoid drilling or cutting into house wiring during installation.

Note:

- If the cabinet does not have a solid bottom, two braces or runners must be installed to support the oven weight of 243 lbs (110 kg) plus food load of 45 lbs (20 kg).
- If marks, blemishes or the cutout opening are visible above the installed oven, it may be necessary to add wood shims under the runners until the marks or opening are covered.
- If the cabinet does not have a front frame and the sides are less than $\frac{3}{4}$ " (1.9 cm) thick, shim both sides equally to establish the cutout width.

2" x 4" (5 cm x 10 cm) or Equivalent Runners Level with Bottom of Cutout and Flush with Sides of Cutout



Suitable Bracing to Support Runners

UNPACK AND PREPARE COMBINATION OVEN

WARNING

Excessive Weight Hazard

- Use two or more people to move and install or uninstall appliance. Failure to do so can result in back or other injury.

⚠ CAUTION

Laceration, Foreign Object, Crush Hazard

- When installing, moving, or servicing any appliance, wear proper protective equipment, including cut resistant gloves, steel-toed shoes, and safety glasses.

IMPORTANT:

- Keep packing materials out of the reach of children. Packaging material can be dangerous for children. There is a risk of suffocation.
 - Do not remove any warning-type labels, the model/serial number label, or the Tech Sheet that is located on the back of the appliance.
 - Do not use oven door handle or any portion of the front frame for lifting or moving.
 - Do not push or pull the appliance by grabbing the opened oven door. Doing so can result in serious damage to the appliance.
 - Do not use sharp instruments, rubbing alcohol, flammable fluids, or abrasive cleaners to remove tape or glue. These products can damage the surface of your appliance.
 - To remove any remaining tape or glue, rub the area briskly with your thumb. Tape or glue residue can also be easily removed by rubbing a small amount of liquid dish soap over the adhesive with your fingers. Wipe with warm water and dry.
1. To avoid floor damage, set the combination oven onto cardboard prior to installation.
 2. Remove the shipping materials and tape from the oven. Remember to keep the corner posts and other materials that may be needed for installation.
 3. Remove and set aside literature pack, oven racks, air fry tray, and other parts from inside the oven. See "Remove/Install Gliding Oven Racks" section.
 4. Remove the lower oven door. See "Remove/Replace Oven Door" section.

Note:

- Door removal is not a requirement for installation of the product but is an added convenience.

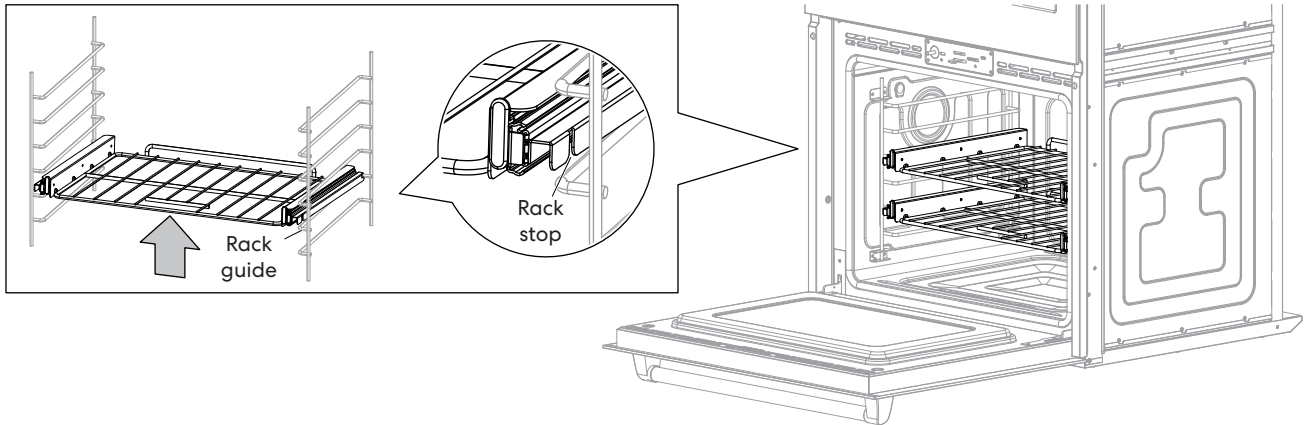
5. Using two or more people, move oven and cardboard close to the oven's final location.

REMOVE/INSTALL GLIDING OVEN RACKS

The gliding racks slide in and out on a frame in lower oven. This keeps heavy cookware level and prevents it from sliding forward when the rack is completely extended.

REMOVING GLIDING OVEN RACKS

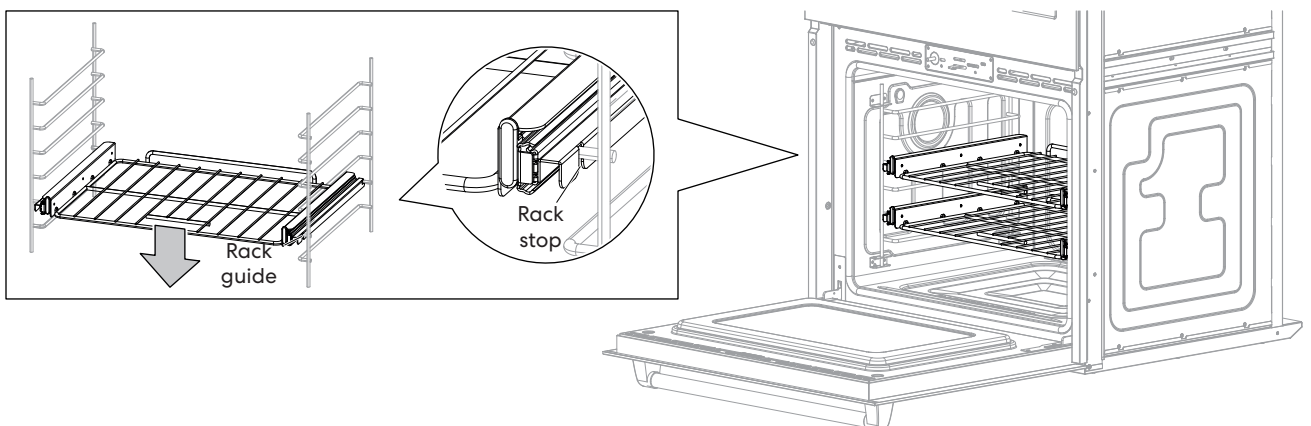
1. With the rack in the closed position, grasp the front of the rack and lift it until the rack stop is free from the rack guide.



2. After disengaging the rack stop, pull and lift the back of the rack out.

INSTALLING GLIDING OVEN RACKS

1. Start with the rack in the closed position. Hold the rack with both hands on the sides.
2. Insert the rack onto the desired level and slide it along the struts of the level until it stops.
3. Slowly lower the front of the rack. Make sure that the rack stop is engaged with the rack guide.



REMOVE/REPLACE OVEN DOOR

For normal use, it is not suggested to remove the oven door. However, if removal is necessary, make sure the oven is off and cool.

WARNING

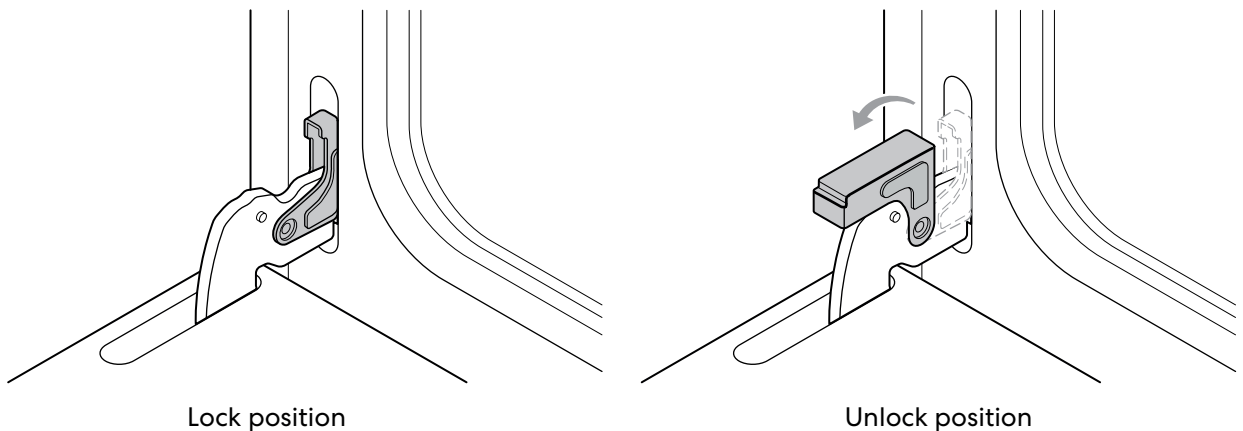
- The door for the microwave oven on a combination oven should never be removed, unless by a certified technician.

Note:

- The oven door is heavy.
- Prior to removing the oven door, prepare a surface where you will place it. This surface should be flat and covered with a soft blanket, or use the corner posts from your packaging material.
- If oven door is removed, confirm that oven door operates correctly and seals properly when reinstalled. If door gasket does not seal completely, heat escaping from around doors could ignite cabinetry.

REMOVING LOWER OVEN DOOR

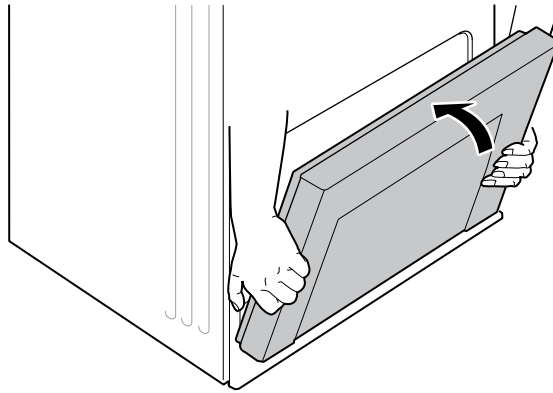
1. Fully open the lower oven door.
2. Locate the oven door hinge locks in both corners of the oven door, and rotate the hinge locks as far toward the open door to the unlock position.



Note:

- If the oven door hinge lock is not rotated fully, the oven door will not remove properly.

- Using two hands, firmly grasp both sides of the oven door.
- Gently close the oven door to the removal position, which is approximately five degrees or 2" - 3" (5.1 - 7.6 cm) from being fully closed. If the position is correct, the hinge arms will move freely.



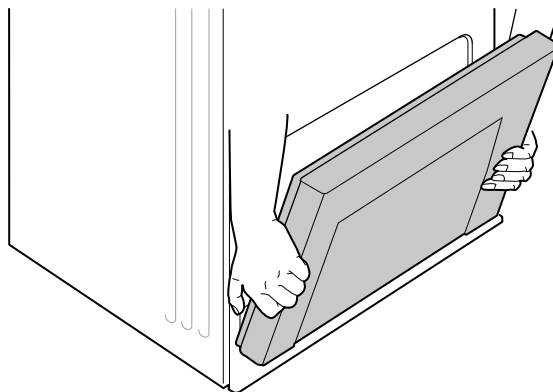
- Lift oven door up and out until the hinge arms are clear of the slots, and set the oven door aside. Do not lift oven door by door handle, if installed.

Note:

- Do not lay the oven door on its handle or front side. This could cause dents or scratches.

REPLACING LOWER OVEN DOOR

- Locate the slots on each side of the oven cavity for the door hinge locks.
- Using two hands, firmly grasp both sides of the oven door. Do not lift oven door by door handle, if installed.
- Hold the oven door at similar angle as the removal position, which is approximately five degrees or 2" - 3" (5.1 - 7.6 cm) from being fully closed

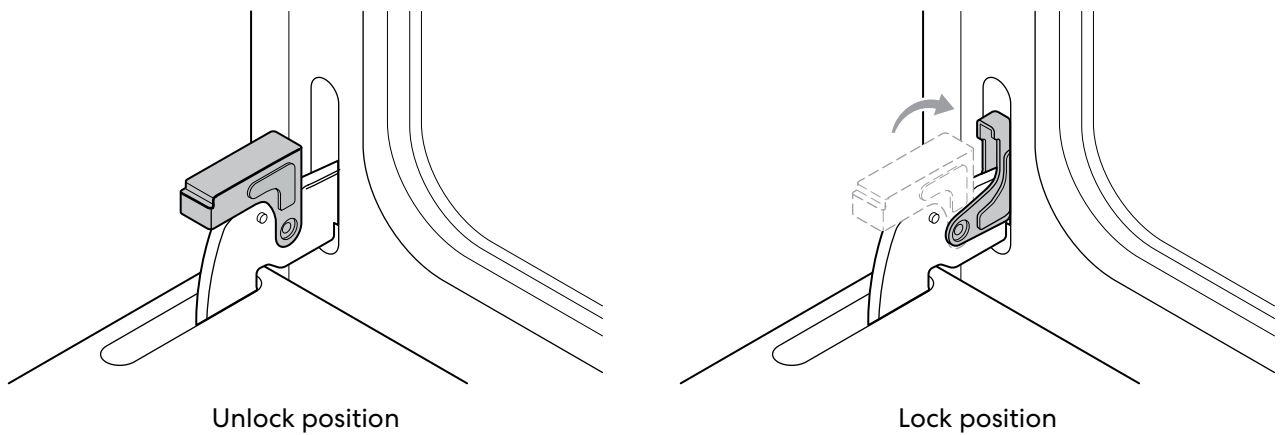


4. Seat the indentation of the hinge arms into the bottom edge of the hinge slots. The notch in the hinge arms must be fully seated into the bottom edge of the slots.
5. Gently lower the oven door to the fully open position.

Note:

- If the oven door will not open fully, the indentation is not seated correctly in the bottom edge of the slots. Repeat the steps above.

6. Locate the oven door hinge locks in the corners of the oven door, and rotate the hinge locks as far toward the oven cavity to the lock position.



7. Gently swing the oven door upward to close. Check that the oven door is free to open and close, and is level while closed.

Note:

- The oven door should not be forced opened or closed.
- When the hinges are properly installed and the oven door is closed, the oven door should be level. If one side of the oven door is lower than the other, the hinge on that side is not properly installed.

INSTALL/REMOVE OVEN DOOR HANDLE

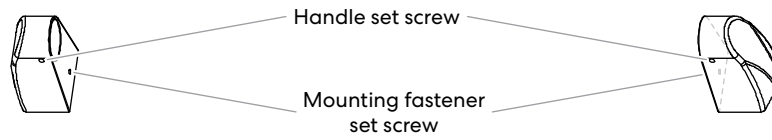
Be very careful not to scratch the surface of the unit. The appearance of the handle may vary from what is shown below, but the installation will be the same.

Tool Needed

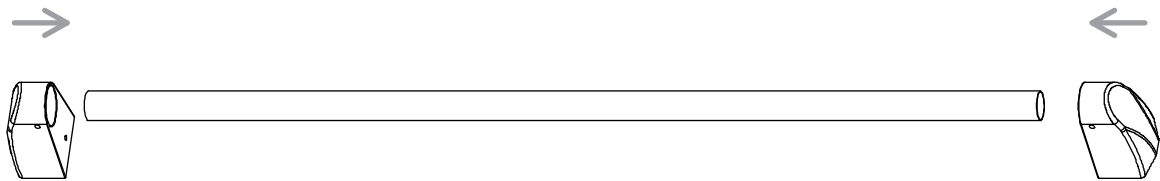
- Hex key (provided)

INSTALLING THE HANDLE

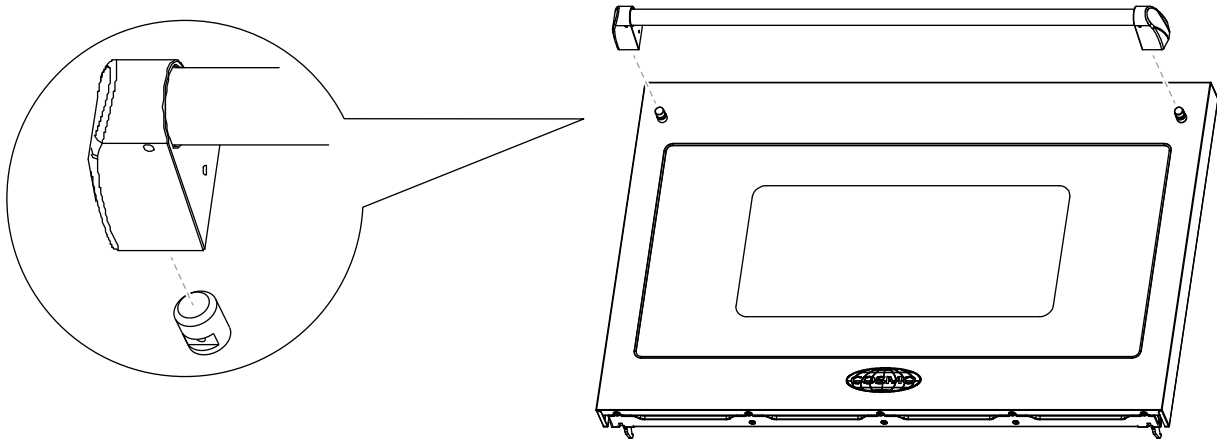
1. Partially loosen the set screws in the handle end caps with the Hex key.



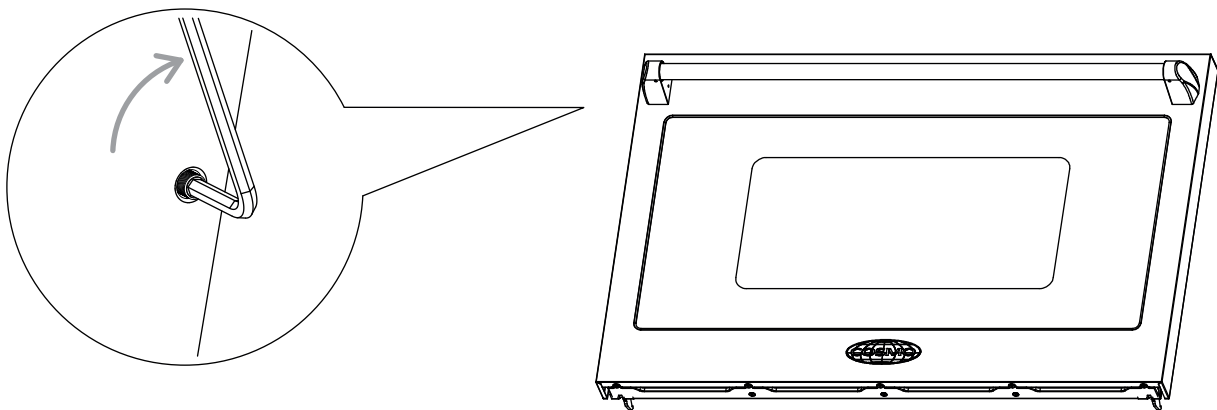
2. Attach the end cap over each end of the handle, and slightly tighten the handle set screws.



3. Place the handle on the door by fitting both ends of the handle footprints over the mounting fasteners.

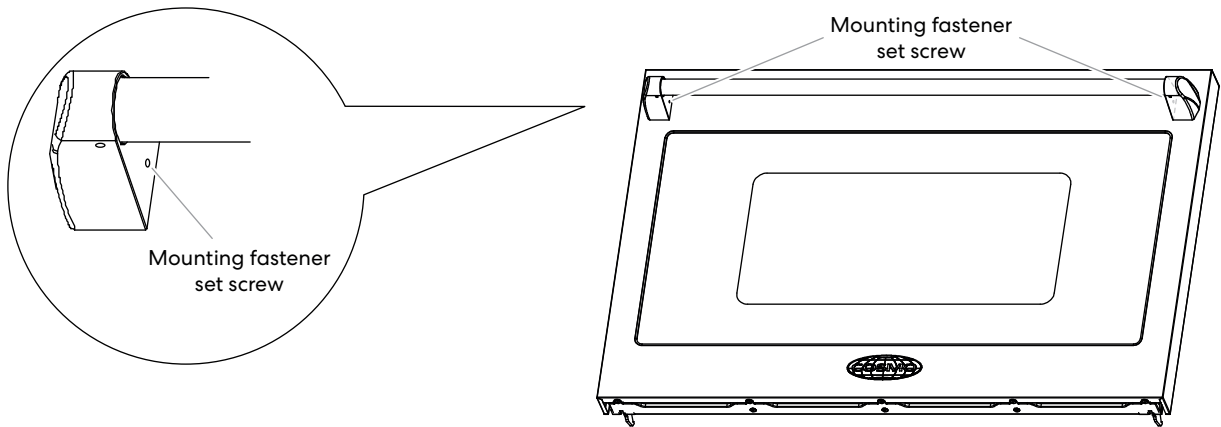


4. Tighten the mounting fastener and handle set screws.

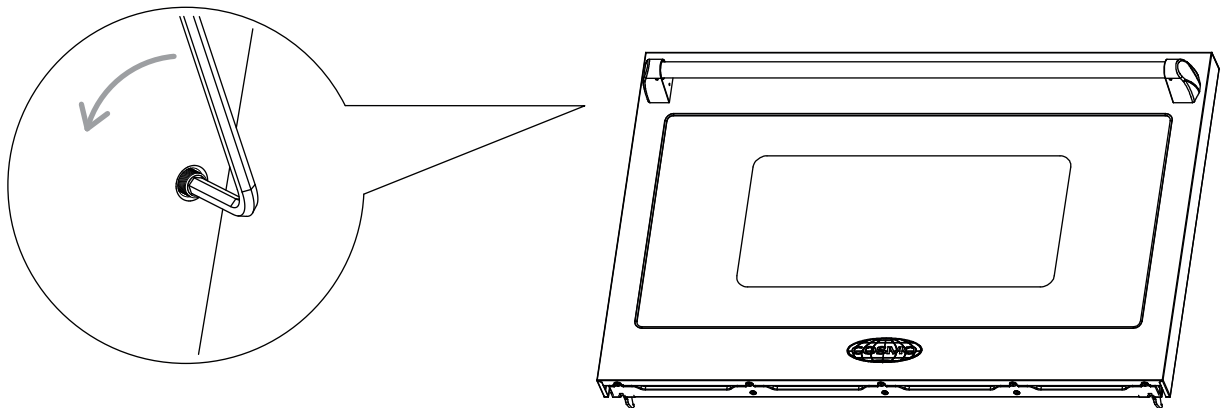


REMOVING THE HANDLE

1. Locate the mounting fastener set screws on the handle end caps.

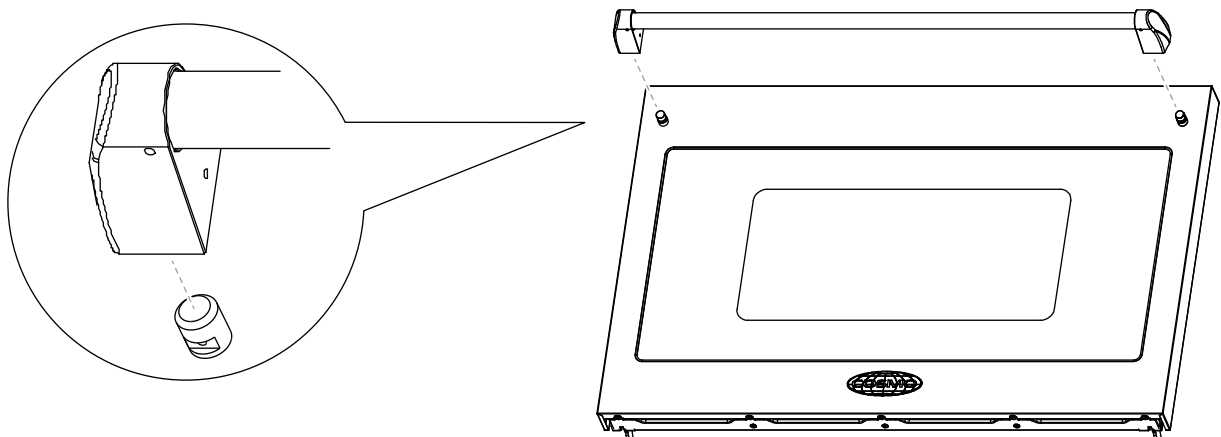


2. Loosen the mounting fastener set screw from the handle end cap.



3. Keep supporting the handle while loosening the set screw on the other handle end cap.

4. Remove the handle from the mounting fasteners on the door and set aside.



MAKE ELECTRICAL CONNECTION

WARNING



Electrical Shock Hazard

- Remove house fuse or open circuit breaker to disconnect power before servicing.
- This appliance must be properly grounded.
- Do not use an adapter or an extension cord.
- Failure to do so can result in death, fire, or electrical shock.

IMPORTANT:

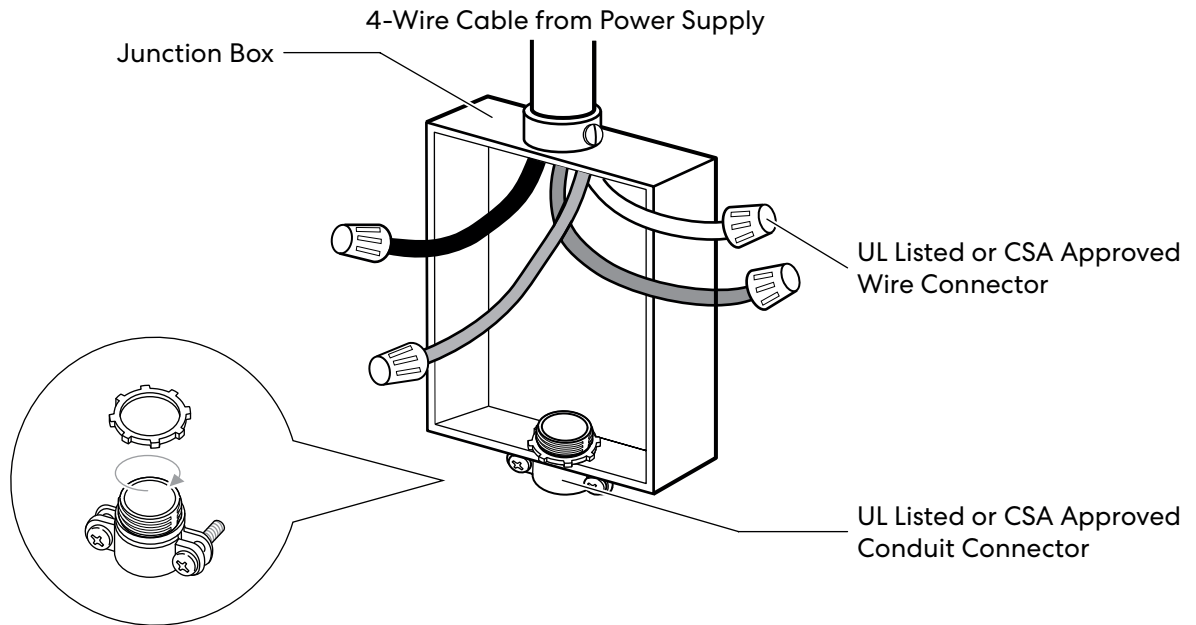
- Installation work and repairs should only be performed by a qualified technician in accordance with all applicable codes and standards. Repairs and service by unqualified persons could be dangerous and the manufacturer will not be held responsible.
- Before connecting the appliance to the power supply, make sure that the voltage and frequency listed on the rating label correspond with the household electrical supply. This data must correspond to prevent appliance damage. Consult an electrician if in doubt.
- This appliance requires a single-phase, 208 VAC or 240 VAC, 60 Hz electrical system dedicated to the appliance. It is the personal responsibility of the owner to provide the correct electrical service for this appliance.
- This appliance must be connected to an individual (dedicated to the appliance), properly grounded branch circuit, protected by a circuit breaker or fuse.
- Local codes and ordinances take precedence over these instructions. Complete electrical connections according to local codes and ordinances.

CONNECTING THE FLEXIBLE CONDUIT

This combination oven is manufactured with a neutral (white) power supply wire and a cabinet-connected green (or bare) ground wire.

1. Disconnect power by turning off the circuit breaker or removing fuses to the combination oven branch circuit.
2. Remove junction box cover, if it is present.

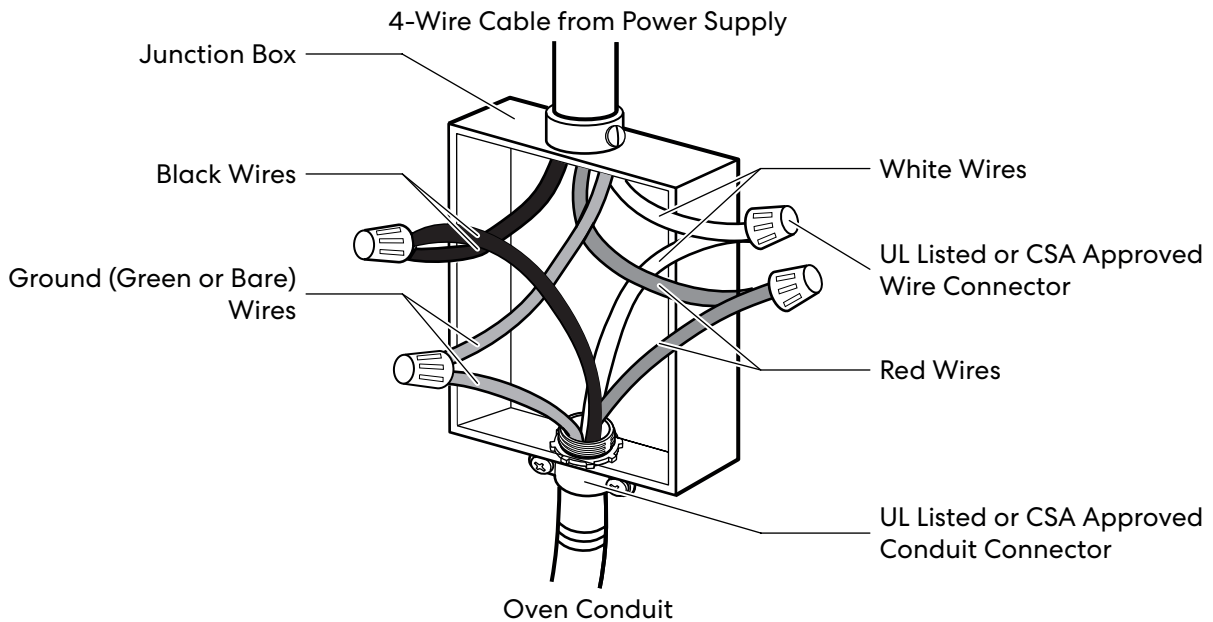
3. Install a UL listed or CSA approved conduit connector to the junction box.



4. With the oven positioned directly in front of the cabinet opening, feed the flexible conduit from the oven through the opening in the cabinet.
5. Route the flexible conduit to the junction box through the conduit connector.
6. Tighten screws on conduit connector.
7. Complete installation following instructions for your type of electrical connection from home power supply:
 - 4-wire connection (recommended)
 - 3-wire connection (if 4-wire is not available)

4-WIRE CONNECTION

IMPORTANT: Use the 4-wire connection from home power supply in areas where local codes do not allow grounding through neutral, new branch circuit installations (1996 NEC), mobile homes, recreational vehicles, and new constructions.



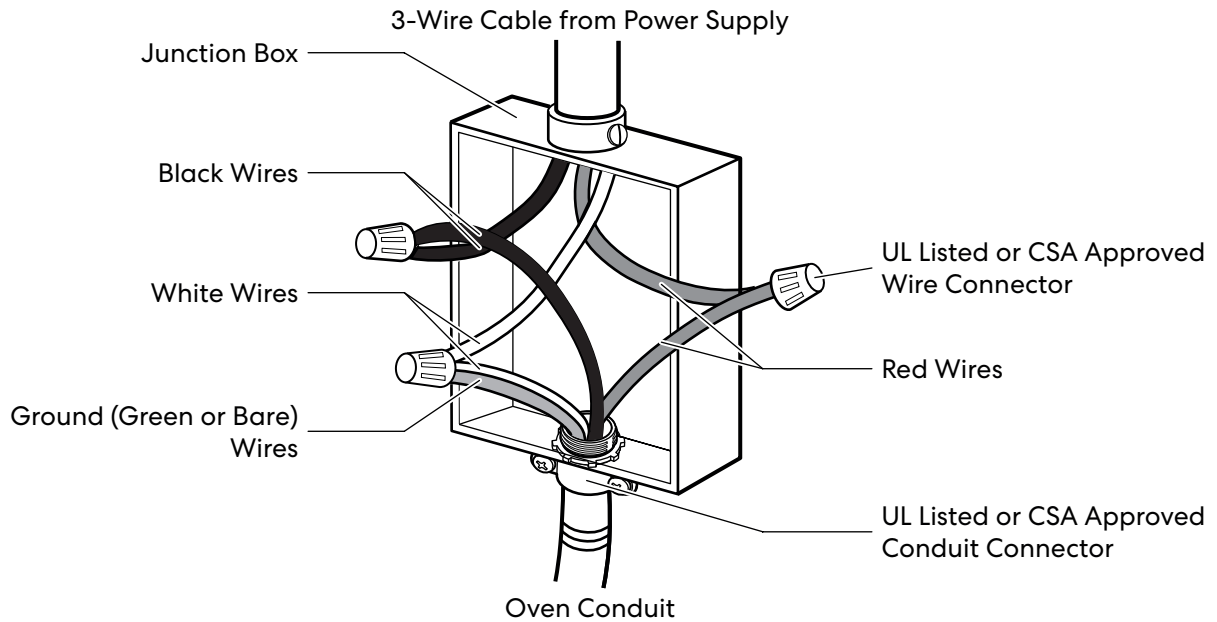
1. Using a UL listed wire connector:

- Connect the two black wires together.
- Connect the two red wires together.
- Connect the two neutral (white) wires together.
- Connect the ground (green or bare) wire from the oven flexible conduit to the ground (green or bare) wire in the junction box.

2. Replace junction box cover if removed.

3-WIRE CONNECTION

IMPORTANT: Use the 3-wire connection from home power supply where local codes permit a 3-wire connection.



1. Using a UL listed wire connector:
 - Connect the two black wires together.
 - Connect the two red wires together.
 - Connect the two neutral (white) wires and the ground (green or bare) wire from the oven flexible conduit together.
2. Replace junction box cover if removed.

INSTALL COMBINATION OVEN

⚠ WARNING

Excessive Weight Hazard

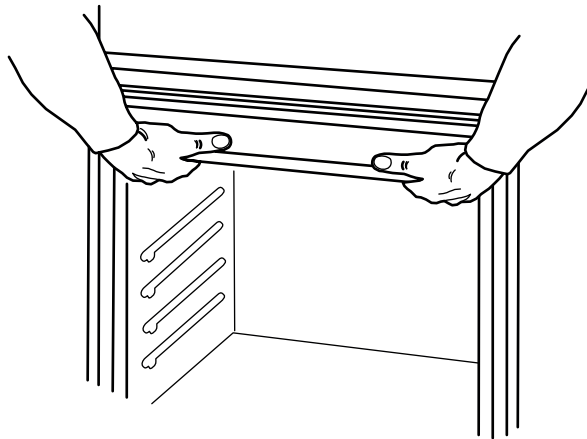
- Use two or more people to move and install or uninstall appliance. Failure to do so can result in back or other injury.

⚠ CAUTION

Laceration, Foreign Object, Crush Hazard

- When installing, moving, or servicing any appliance, wear proper protective equipment, including cut resistant gloves, steel-toed shoes, and safety glasses.

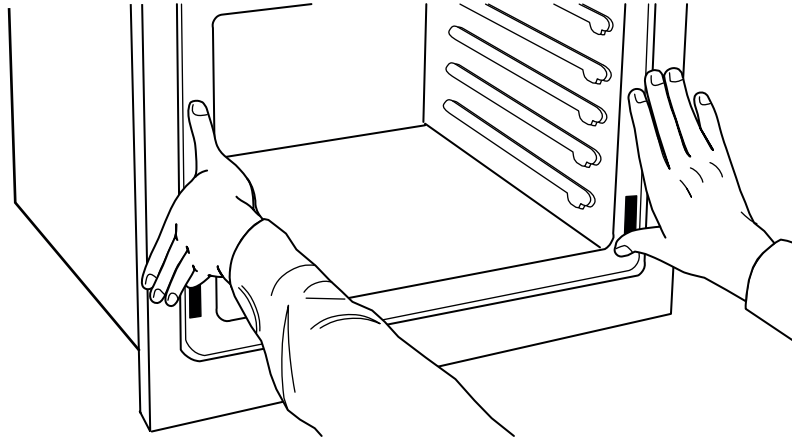
1. Loop (do not tie) a 36" (91 cm) string around the flexible conduit before the combination oven is slid into place. Lay the string over the top of the oven and use it to keep the conduit from falling behind the oven.
2. Using two or more people, lift oven into cabinet cutout using the oven opening as a grip.



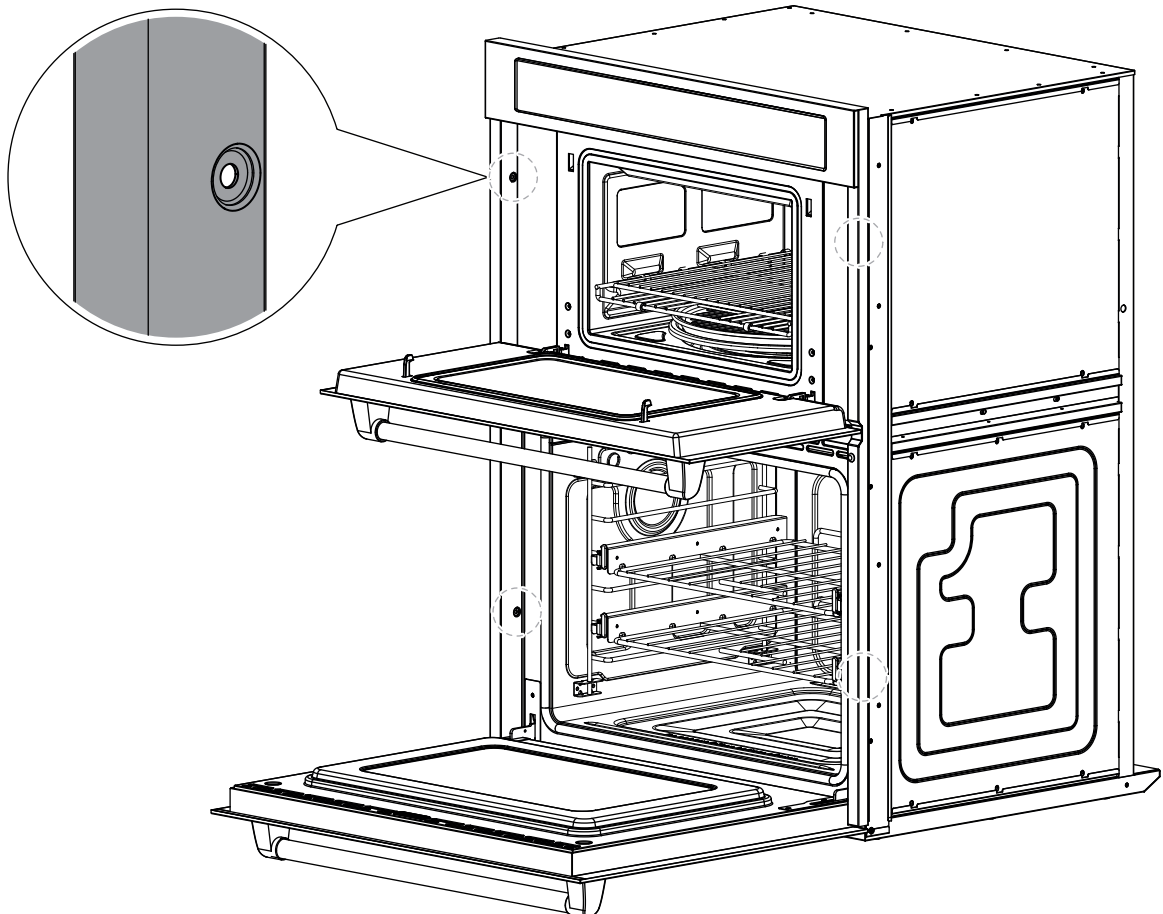
3. Push the oven into the cabinet. While pushing oven into cabinet, pull the string so that the flexible conduit lies on the top of the oven in a natural loop.

Note:

- Carefully push against the lower oven front frame. Do not push against outside edges.
- Ensure that no damage is done to oven gasket which lines the edge of oven cavity.



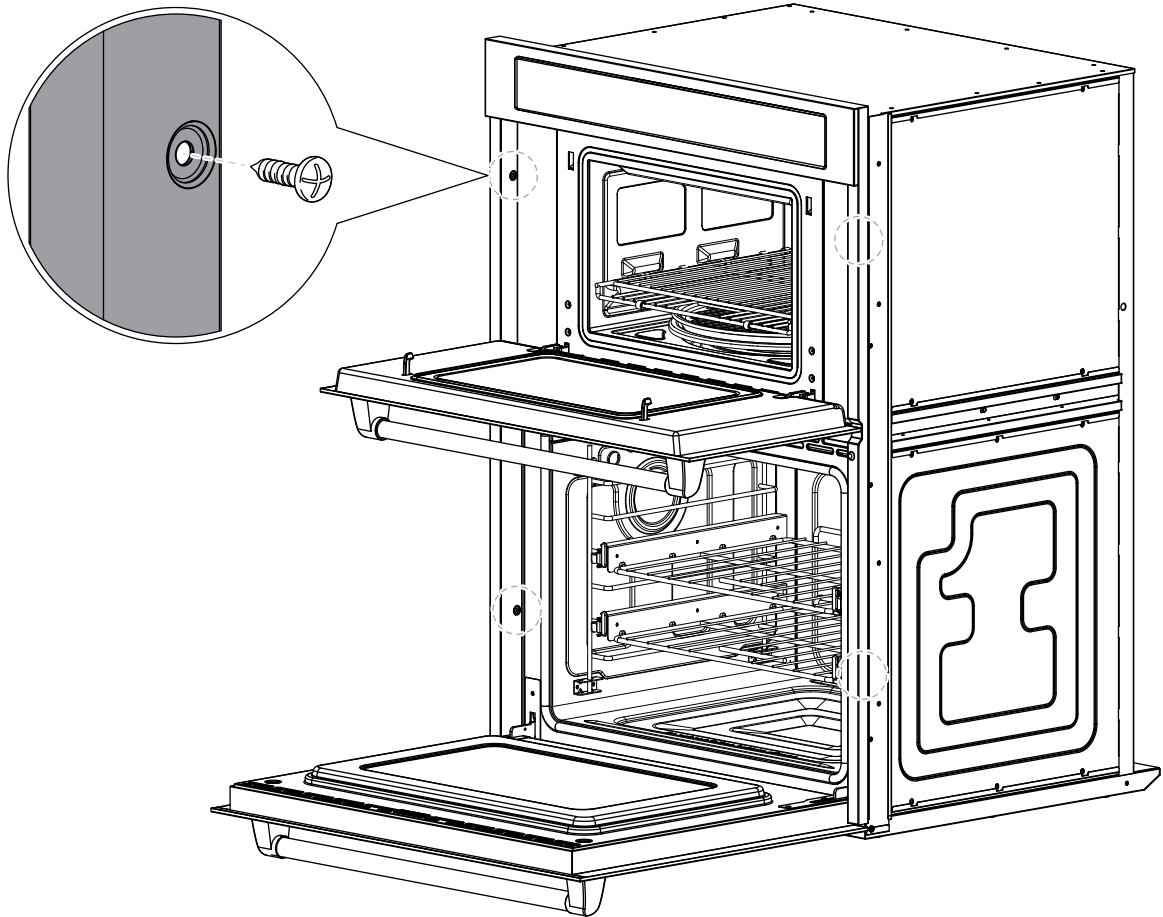
4. When you are sure the flexible conduit is out of the way, carefully push the oven 3/4 way into the cabinet. Remove the string by pulling on one end of the loop.
5. Carefully push the oven completely into the cabinet until the back surface of the front frame touches the front wall of the cabinet and center oven in cabinet cutout.
6. Using the mounting holes on the oven side trim as a guide, drill 4 pilot holes (one on each side in both the upper and lower ovens) for mounting screws provided.



7. Secure the oven to the cabinet with mounting screws provided. Do not overtighten screws.

Note:

- If the cabinet is particle board, you must use 3/4" particle board screws. These may be purchased at any hardware store.



8. Replace the lower oven door, if removed. See "Remove/Replace Oven Door" section.

9. Install the oven door handles. See "Install/Remove Oven Door Handle" section.

COMPLETE INSTALLATION

Check that all accessories are present and you have all of your tools.

1. Install the gliding oven racks. See "Remove/Install Gliding Oven Rack" section.
2. Check that all parts are now installed.
3. Dispose of/recycle all packaging materials.
4. For oven cleaning, read the "Maintenance" section in the user manual.
5. Reconnect power.

Note:

- The display panel will light briefly. If it does not, refer the "Warranty" section in the user manual.

TEST THE COMBINATION OVEN BEFORE USE

Each of the functions has been factory checked before shipping. However, it is suggested that you verify the operation of the oven once more. Refer to the user manual. Follow the instructions for the basic check.

IMPORTANT:

- Ensure all packaging is removed, and oven is empty except for oven rack(s).
- Be sure power is in service.

Note:

- A small amount of smoke and odor may be noticeable during the initial break-in period.

MICROWAVE OVEN			LOWER OVEN			<div style="border: 1px solid black; width: 100px; height: 100px; margin: 0 auto;"></div>	1	2	3	MICROWAVE OVEN			
Sensor Cook	Sensor Reheat	Soften Melt	Bake	Broil Hi/Lo	Proof		4	5	6	Cook Time	Power Level	START +30 sec.	CLEAR OFF
Defrost	Popcorn	Beverage	Conv Bake	Conv Roast	Keep Warm		7	8	9	Cook Time	Delay Start	START	CLEAR OFF
Conv Modes	Air Fry	Broil	Air Fry	Pizza			0	Clock		Self Clean	Timer (0:00-9:59)	Settings (0-999)	Oven Light

UPPER OVEN

1. Check the operation of the microwave mode.
 - a) Place a glass bowl filled with water in upper oven.
 - b) Close the oven door.
 - c) Press **Cook Time** (upper oven) to select Microwave mode.
 - d) Press **1**, **0**, and **0** to set the cook time to 1 minute.
 - e) Press **START** (upper oven) to turn the microwave on.
 - f) When the cook time is over, inspect the water in glass bowl. The water should be hot.

2. Check the operation of the broil mode.
 - a) Keep the oven door closed.
 - b) Press **Broil** (upper oven) once to select Hi Broil mode.
 - c) Press **START** (upper oven) to turn the oven on.
 - d) When the oven is set to broil, the upper element in the oven should become red.
 - e) After a few minutes, press **CLEAR/OFF** (upper oven) to stop Broil mode.
 - f) Open the oven door. You should feel heat from the oven. If you do not feel heat, contact a qualified technician.

3. Check the operation of the convection mode.
 - a) Keep the oven door closed.
 - b) Press **Conv Modes** (upper oven) to select Convection modes.
 - c) Press **1** to select Baked Goods.
 - d) Press **3**, **5**, and **0** to enter temperature 350°F (177°C).
 - e) Press **START** (upper oven) to turn the oven on.
 - f) When the oven is set to convection mode, the rear convection fan inside the oven should come on with the door closed. Confirm that the convection fan is operating.
 - g) After a few minutes, press **CLEAR/OFF** (upper oven) to stop the convection mode.
 - h) Open the oven door. Without touching the oven components, confirm that heat can be felt radiating from the oven bottom and rear wall. If you do not feel heat, contact a qualified technician.

LOWER OVEN

1. Check the operation of the broil mode.
 - a) Keep the oven door closed.
 - b) Press **Broil** (lower oven) once to select Hi Broil mode.
 - c) Press **START** (lower oven).
 - d) When the oven is set to broil, the upper element in the oven should become red.
 - e) After a few minutes, partially open the oven door. You should feel heat from the oven. If you do not feel heat, turn off the oven and contact a qualified technician.
 - f) Press **CLEAR/OFF** (lower oven) to stop Broil mode.

2. Check the operation of the convection bake mode.
 - a) Keep the oven door closed.
 - b) Press **Conv Bake** (lower oven) to select Convection Bake mode.
 - c) Press **3**, **5**, and **0** to enter temperature 350°F (177°C).
 - d) Press **START**. The oven starts to preheat.
 - e) When the oven is set to convection bake, the rear convection fan inside the oven should come on with the door closed. Confirm that the convection fan is operating.
 - f) After a few minutes, open the oven door temporarily. Without touching the oven components, confirm that heat can be felt radiating from the oven bottom. If you do not feel heat, turn off the oven and contact a qualified technician.
 - g) Press **CLEAR/OFF** (lower oven) to stop Convection Bake mode.

IMPORTANT

Do Not Return This Product to The Store

If you have a problem with this product, please contact Customer Support at
+1 (888) 784-3108

Dated proof of purchase, model #, and serial # required for warranty service.

IMPORTANT

Ne pas Réexpédier ce Produit au Magasin

Pour tout problème concernant ce produit, veuillez contacter le service des consommateurs
Customer Support au

+1 (888) 784-3108

Une preuve d'achat datée est requise pour bénéficier de la garantie.

IMPORTANTE

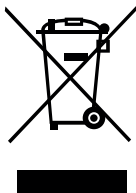
No regrese este producto a la tienda

Si tiene algún problema con este producto, por favor contacte el ayuda al cliente al

+1 (888) 784-3108

(Válido solo en E.U.A.)

Necesita una prueba de de compra fechada, número de modelo y de serie para el servicio de la
garantía.



Correct disposal of this product:

This marking indicates that this appliance should not be disposed with other household wastes. To prevent possible harm to the environment or human health from uncontrolled waste disposal, recycle it responsibly to promote the sustainable reuse of material resources.

MEMO

A series of horizontal dashed lines for writing.



APPLIANCES

Cosmo is constantly making efforts to improve the quality and performance of our products, so we may make changes to our appliances without updating this manual.

Electronic version of this manual is available at:
www.cosmoappliances.com