

KEY FEATURES

9.0 cu.ft. Front Load Electric Dryer
 TrueSteam® Technology
 Electronic Control Panel with LCD Display
 Steam Sanitary™
 Steamfresh™
 ThinQ®



Control Panel

ThinQ App



PRODUCT FEATURES

SUMMARY		SMART FEATURES (THING® TECHNOLOGY)	
Type	Front Load Dryer	Smart Diagnosis (v3.0)	Yes
Vent Type	Vented	Wi-Fi	Yes
Dryer Type	Electric	NFC Tag On Technology	No
Capacity	9.0 cu. ft.	ThinQ Care (Remote Start/Cycle Monitor)	Yes
Matching Washer	WM9700HPA	Energy Monitoring	Yes (WiFi)
Sensor Dry	Yes	ENERGY	
Steam	Yes	ENERGY STAR® Certified	Yes
Colors	Platinum Steel(P)	CEF	3.94
APPEARANCE		MATERIALS AND FINISHES	
Control & Display	Electronic Control Panel with LCD Display	Aluminized Alloy Steel Drum	No
Hard Buttons	No	NeveRust® Stainless Steel Drum	Yes
Touch Buttons	Yes	Cabinet	VCM
Dial-A-Cycle®	No	Door	Tempered Glass Door
DRYER PROGRAMS		All Available Colors	Platinum Steel(P)
No. of Programs	26	POWER SOURCE	
Programs	Normal, AI Dry, Bedding, Delicates, Quick Dry, Timed Dry, Perm. Press, SteamFresh™, Heavy Duty, Towels, Air Dry, Pet Care, SteamSanitary™, Power Dry, Low Temp Dry, Super Dry, Activewear, Jeans, Blanket Refresh, Easy Ironing, Small Load, Large Load, XL Load, Wrinkle Prevention, Overnight Dry, Rack Dry	Ratings	CSA Listed
No. of Options	16	Electrical Requirements	240V, 26 Amps
Options	Wi-Fi, Remote Start, Drum Light, Control Lock, Cycle List Edit, Signal, Language, Cycle Optimization, Smart Diagnosis, Factory Reset, TurboSteam®, Wrinkle Care, Damp Signal, Energy Saver, Low Static, Delay	Type	Electric
Temperature Settings	High / Med. High / Medium / Med. Low / Low	OPTIONS	
Drying Levels	Very / More / Normal / Less / Damp	LP Conversion Kit	383EEL3002D // LPK1
Manual Dry Times	10-100min (Each 5min.), Dry Time	Side Venting Kit	383EEL9001L
FABRIC CARE FEATURES		Drying Rack	AHB73109002
AI Sensor Dry	Yes	Pedestal	WDP5K
Sensor Dry	Yes	Pedestal (WxHxD)	29 x 13 5/8" x 29 1/2" (45 9/16" D with door open)
Precise Temperature Control with Variable Heater	Yes	DIMENSIONS	
Precise Temperature Control with Variable Compressor	No	Product (WxHxD)	29" x 40 7/8" x 31 1/2"
Steam	TurboSteam®	Depth with Door Open	53" 3/8
CONVENIENCE FEATURE		Carton (WxHxD)	30 15/16" x 44 11/16" x 33 3/16"
3 Minute Installation Check	Yes	Weight (Product)	145.3 lbs
End of Cycle Signal	Yes	Weight (Carton)	157.0 lbs
Drum Light (door open)	Yes	WARRANTY	
Reversible Door	Yes	Parts & Labor	2 years
FlowSense® Duct Clogging Indicator	Yes	Drum	3 years
Wrinkle Care Option	Yes	UPC CODE	
Control Lock	Yes	DLEX9700P	048231350273
Venting Option	4 Way Venting		
4 Adjustable Legs	Yes		
Remaining Time Display/Status Indicator(s)	Yes		

DLEX9700P

LG SIGNATURE Front Load Electric Dryer

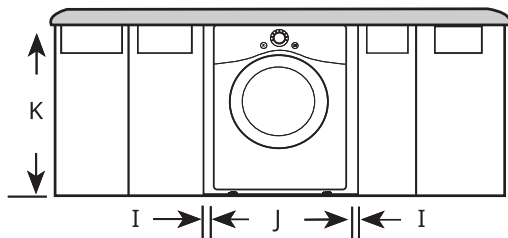
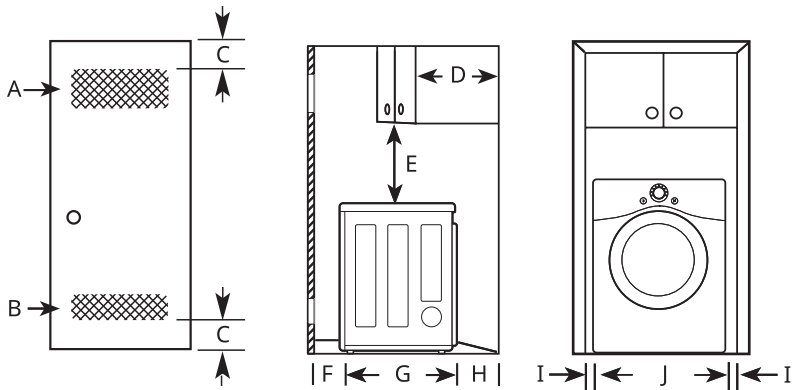
QUICK INSTALL & CLEARANCES

For full installation directions/clearances please refer to the corresponding User Manual and Installation Guide.

IMPORTANT

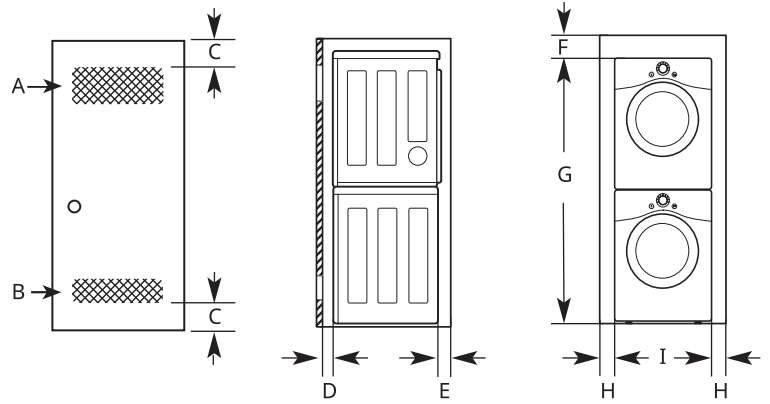
DIMENSIONS / CLEARANCES

Installation Spacing for Recessed Area or Closet Installation



DESCRIPTION	DIMENSIONS / CLEARANCE
A	Upper Ventilation Opening ≥ 48 sq. in. (310 cm ²)
B	Lower Ventilation Opening ≥ 24 sq. in. (155 cm ²)
C	Distance to Ventilation Opening ≥ 3" (76 mm)
D	Overhead Cabinet Depth ≤ 14" (356 mm)
E	Distance to the Overhead Cabinet/ Shelf ≥ 18" (457 mm)
F	Front Clearance 1" (25 mm)
G	Depth 31 1/2" (800 mm)
H	Back Clearance ≥ 5" (127 mm)
I	Side Clearance ≥ 1" (25 mm)
J	Width 29" (737 mm)
K	Height of Cabinet Opening 40 7/8" (1037 mm)

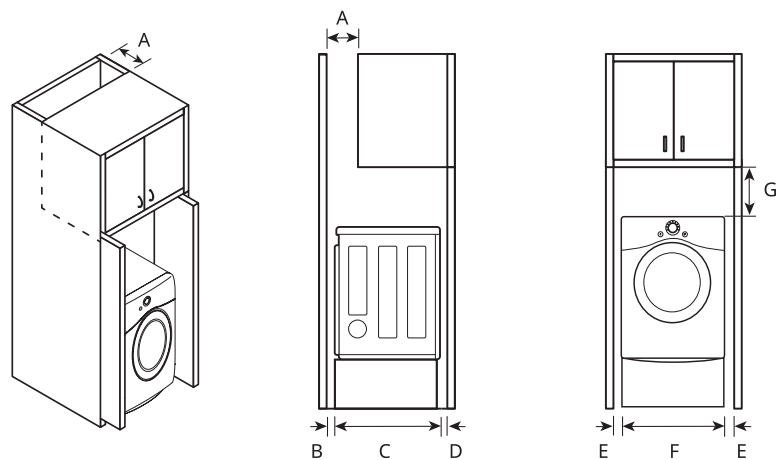
INSTALLATION SPACING



DESCRIPTION	DIMENSIONS / CLEARANCE
A	Upper Ventilation Opening ≥ 48 sq. in. (310 cm ²)
B	Lower Ventilation Opening ≥ 24 sq. in. (155 cm ²)
C	Distance to Ventilation Opening ≥ 3" (76 mm)
D	Front Clearance ≥ 1" (25 mm)
E	Back Clearance ≥ 5 1/2" (140 mm)
F	Top Clearance to the Ceiling ≥ 6" (152 mm)
G	Height to the Top of Stacked Appliances † 81 3/4" (2074 mm)
H	Side Clearance ≥ 1" (25 mm)
I	Width † 29" (737 mm)

† Differs depending on the washer dimensions.

INSTALLATION SPACING



DESCRIPTION	DIMENSIONS / CLEARANCE
A	Depth of Ventilation Opening ≥ 7" (178 mm)
B	Back Clearance ≥ 5" (127 mm)
C	Depth 31 1/2" (800 mm)
D	Front Clearance ≥ 1" (25 mm)
E	Side Clearance ≥ 1" (25 mm)
F	Width 29" (737 mm)
G	Clearance to Top of Cabinet ≥ 9" (229 mm)