

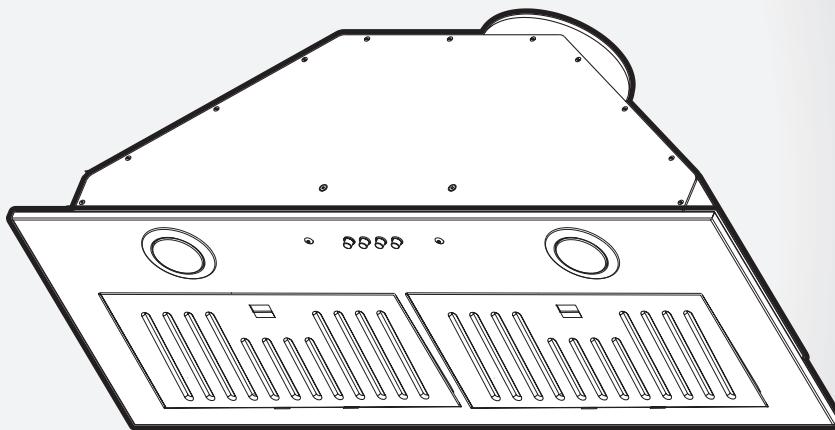
# Use, Care, and Installation Guide

---

Guide  
d'utilisation,  
d'entretien et  
d'installation

---

Guía de  
instalación, uso y  
mantenimiento



READ AND SAVE THESE  
INSTRUCTIONS

---

LISEZ CES  
INSTRUCTIONS ET  
CONSERVEZ-LES

---

LEA Y CONSERVE  
ESTAS INSTRUCCIONES

**Models:** | EPR628S2  
EPR634S1

**Contents**

Important safety notice .....3

List of materials .....4

    Parts supplied .....4

    Parts not supplied .....4

Product Dimensions and clearances .....5

Venting requirements .....5

Ducting options and examples.....6

    Ducting version.....6

    Ductless (Recirculating) .....6

Electrical requirements .....6

Installation instructions .....7

Install Range Hood.....10

Connect the Vent System.....10

Complete the installation .....10

Description of the hood .....11

Control .....11

Maintenance .....11

Accessories.....12

Warranty .....13

**APPROVED FOR RESIDENTIAL APPLIANCES  
FOR RESIDENTIAL USE ONLY  
READ AND SAVE THESE INSTRUCTIONS**

**PLEASE READ ENTIRE INSTRUCTIONS BEFORE PROCEEDING.  
INSTALLATION MUST COMPLY WITH ALL LOCAL CODES.**

**IMPORTANT:** Save these Instructions for the Local Electrical Inspector’s use.

**INSTALLER:** Please leave these Instructions with this unit for the owner.

**OWNER:** Please retain these instructions for future reference.

**Safety Warning:** Turn off power circuit at service panel and lock out panel, before wiring this appliance.

**Requirement:** 120 V AC, 60 Hz. 15 or 20 A Branch Circuit.

## ⚠ Important Safety Notice

APPLIANCE DESIGNED EXCLUSIVELY FOR INDOOR USE.

**⚠CAUTION:** FOR GENERAL VENTILATING USE ONLY. DO NOT USE TO EXHAUST HAZARDOUS OR EXPLOSIVE MATERIALS AND VAPOURS.

**⚠WARNING:** TO REDUCE THE RISK OF FIRE, ELECTRIC SHOCK, OR INJURY TO PERSONS, OBSERVE THE FOLLOWING:

**a)** Use this unit only in the manner intended by the manufacturer. If you have questions, contact the manufacturer.

**b)** Before servicing or cleaning unit, switch power off at service panel and lock the service disconnecting means to prevent power from being switched on accidentally. When the service disconnecting means cannot be locked, securely fasten a prominent warning device, such as a tag, to the service panel.

**⚠WARNING:** TO REDUCE THE RISK OF FIRE, ELECTRIC SHOCK, OR INJURY TO PERSONS, OBSERVE THE FOLLOWING:

**a)** Installation work and electrical wiring must be done by qualified person(s) in accordance with all applicable codes and standards, including fire-rated construction.

**b)** Sufficient air is needed for proper combustion and exhausting of gases through the flue (chimney) of fuel burning equipment to prevent back drafting. Follow the heating equipment manufacturer's guideline and safety standards such as those published by the National Fire Protection Association (NFPA), and the American Society for Heating, Refrigeration and Air Conditioning Engineers (ASHRAE), and the local code authorities.

**c)** When cutting or drilling into wall or ceiling, do not damage electrical wiring and other hidden utilities.

**d)** Ducted fans must always be vented to the outdoors.

**⚠CAUTION:** TO REDUCE RISK OF FIRE AND TO PROPERLY EXHAUST AIR, BE SURE TO DUCT AIR OUTSIDE - DO NOT VENT EXHAUST AIR INTO SPACES WITHIN WALLS OR CEILINGS, ATTICS OR INTO CRAWL SPACES, OR GARAGES.

**⚠WARNING:** TO REDUCE THE RISK OF FIRE OR ELECTRICAL SHOCK, DO NOT USE THIS FAN WITH ANY SOLID-STATE SPEED CONTROL DEVICE.

**⚠WARNING:** TO REDUCE THE RISK OF FIRE, USE ONLY METAL DUCTWORK.

**NOTE:** Before any cleaning or maintenance operation, disconnect hood from the mains by removing the plug or disconnecting the mains electrical supply.

**⚠WARNING:** TO REDUCE THE RISK OF A RANGE TOP GREASE FIRE:

**a)** Never leave surface units unattended at high settings. Boilovers cause smoking and greasy spillovers that may ignite. Heat oils slowly on low or medium settings.

**b)** Always turn hood ON when cooking at high heat. Do not flambé food under the hood.

**c)** Clean ventilating fans frequently (at least once every two months). Grease should not be allowed to accumulate on fan or filter.

**d)** Use proper pan size. Always use cookware appropriate for the size of the surface element.

**NOTE:** Always wear work gloves for all installation and maintenance operations

**⚠WARNING:** TO REDUCE THE RISK OF FIRE AND ELECTRIC SHOCK, INSTALL THIS RANGEHOOD ONLY WITH REMOTE BLOWER MODELS RATED MAXIMUM (Current and/or Horsepower) OR INTEGRAL BLOWERS MANUFACTURED BY (Manufacturer's Name), Model(s) (Name of Appliance).

**NOTE:** a Maximum recommended remote blower rating -Consult ratings table in this section of the manual-

**⚠WARNING:** TO REDUCE THE RISK OF INJURY TO PERSONS IN THE EVENT OF A RANGE TOP GREASE FIRE, OBSERVE THE FOLLOWING: <sup>a</sup>

**a)** SMOTHER FLAMES with a close-fitting lid, cookie sheet, or metal tray, then turn off the burner. BE CAREFUL TO PREVENT BURNS. If the flames do not go out immediately, EVACUATE AND CALL THE FIRE DEPARTMENT.

**b)** NEVER PICK UP A FLAMING PAN - You may be burned.

**c)** DO NOT USE WATER, including wet dishcloths or towels - a violent steam explosion will result.

**d)** Use an extinguisher ONLY if:

- You know you have a Class ABC extinguisher, and you already

know how to operate it.

- The fire is small and contained in the area where it started.

- The fire department is being called.

- You can fight the fire with your back to an exit.

<sup>a</sup>Based on "Kitchen Fire Safety Tips" published by NFPA.

**NOTE:** This appliance is not intended for use by persons (including children) with reduced physical, sensory or mental capabilities, or lack of experience and knowledge, unless they have been given supervision or instruction concerning use of the appliance by a person responsible for their safety.

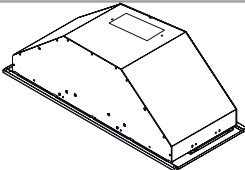
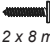


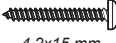


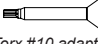
**NOTE:** Children should be supervised to ensure that they do not play with the appliance.

# List of Materials

Removing the packaging.

## ⚠ CAUTION

Remove carton carefully, Wear gloves to protect against sharp edges.

Supplied Part	Pieces
 Hood assembly and LED lamps already installed	1
 4.2 x 8 mm	4
 4.5x13 mm	8
 3.5x9.5 mm round head screws	4
 4.2x15 mm	2
 3.5x9.5 mm flat head screws	6
 4.2x19 mm	8
 Torx #10 adapter	1

### Parts not supplied

### Tools/Materials required

- Level
- Drill with 0.12" (3,2 mm drill bit)
- Pencil
- Pliers
- Tape measure or ruler
- Caulking gun and weatherproof caulking compound
- Saber or keyhole saw
- Metal snips
- Vent clamps
- Screwdrivers:
  - Flat-blade
  - Phillips

### Parts needed

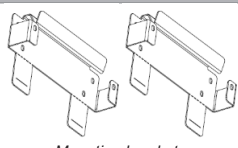
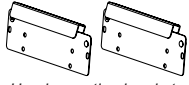

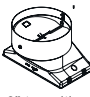


- 6" (15.2 cm) round metal vent system

### Optional accessories and consumable parts

KIT	#Part	
	<b>28.5" (72.39 cm)</b>	
<b>Recirculating Kit</b>	KIT02770	
<b>Hood Liner</b>	Up to 30" width KIT02773	Up to 36" width KIT02774

## ⚠ WARNING

Remove the protective film covering the product before putting into operation.

Supplied Part	Pieces
 Mounting brackets	2
 Hood mounting brackets	2
 Metal spacers (use when cabinet depth is greater than 12"). cabinet depth is greater than 12")	2
 6" transition	1
 Ø 6.4x18 mm washers	8
 Ø 4,2x12 mm washers	8

### Location requirements:

IMPORTANT: Observe all governing codes and ordinances. Have a qualified technician install the range hood. It is the installer's responsibility to comply with installation clearances specified on the model/serial rating plate. The model/serial rating plate is located inside the liner behind the filter on the left wall of the range hood.

- Range hood location should be away from strong draft areas, such as windows, doors, and strong heating vents.
- Cabinet opening dimensions that are shown must be used. Given dimensions provide minimum clearance. Consult your cooktop/ range manufacturer installation instructions before making any cutouts.
- Grounded electrical outlet is required. See "Electrical Requirements" section.

The range hood is factory set for vented installations through the roof or wall. For non-vented (recirculating) installations see "Non- Vented (recirculating) Installation Through the Soffit/Cabinet" in the "Prepare Location" section.

Recirculation Kit Part is available from your dealer or an authorized parts distributor. All openings in ceiling and wall where range hood will be installed must be sealed.

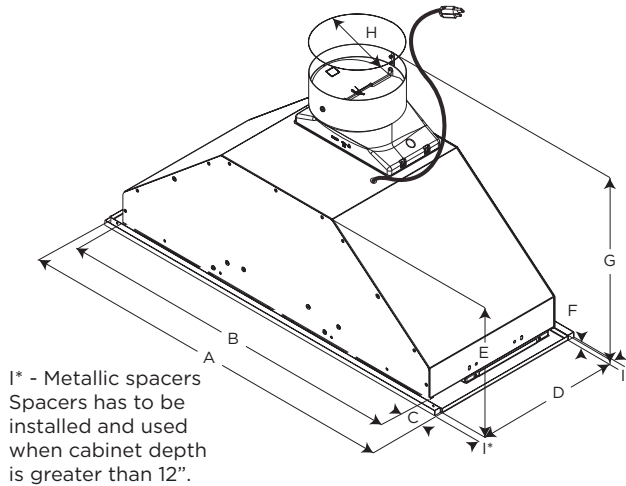
### For mobile home installations

The installation of this range hood must conform to the Manufactured Home Construction Safety Standards, Title 24 CFR, Part 328 (formerly the Federal Standard for Mobile Home Construction and Safety, title 24, HUD, Part 280) or when such standard is not applicable, the standard for Manufactured Home Installation 1982 (Manufactured Home Sites, Communities and Setups) ANSI A225.1/NFPA 501A, or latest edition, or with local codes.

\*TORX is a registered trademark of Saturn Fasteners, Inc.

# Product Dimensions and Clearances

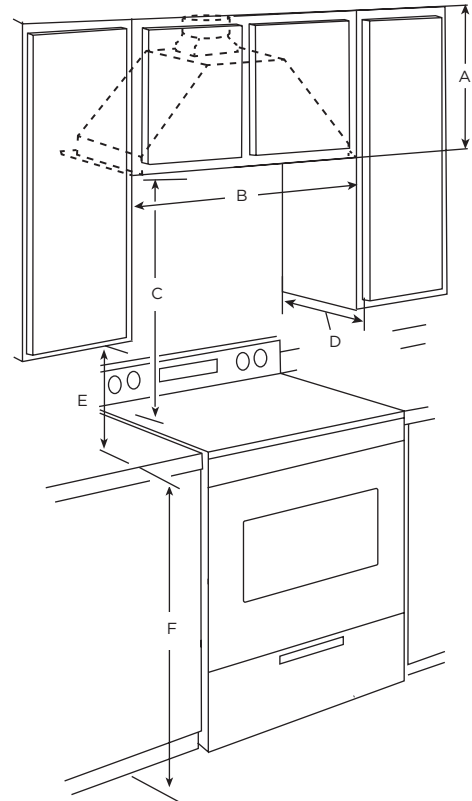
## Product dimensions



	Model	
	EPR628S2	EPR634S1
<b>A</b>	28 $\frac{1}{4}$ " (71.8 cm)	34 $\frac{3}{16}$ " (86.7 cm)
<b>B</b>	26" (66 cm)	26" (66 cm)
<b>C</b>	1 $\frac{1}{8}$ " (2.9 cm)	4 $\frac{1}{16}$ " (10.3 cm)
<b>D</b>	10 $\frac{3}{4}$ " (27.3 cm)	10 $\frac{3}{4}$ " (27.3 cm)
<b>E</b>	10 $\frac{1}{16}$ " (27.2 cm)	10 $\frac{1}{16}$ " (27.2 cm)
<b>F</b>	$\frac{5}{16}$ " (.85 cm)	$\frac{3}{8}$ " (0.95 cm)
<b>G</b>	15 $\frac{3}{4}$ " (40 cm)	15 $\frac{3}{4}$ " (40 cm)
<b>H</b>	6" (15.2 cm)	6" (15.2 cm)
<b>I</b>	$\frac{1}{2}$ " (1.27 cm)	$\frac{1}{2}$ " (1.27 cm)

For gas range installation: Mount this hood so that the bottom edge is at minimum 30"(76.2 cm) above the cooking surface.  
For electric range installation: mount this hood so that the bottom is not less than 24"(61 cm).

## Installation clearances



- A. 13.18" (33.5 cm) min. upper cabinet height
- B. 29.4"(74.8 cm) cabinet width for 28.5" hood and 35.3"(89.7 cm) for 34.5" hood, cabinet opening width\*
- C. 24" (61 cm) minimum from the electric cooking surface, and 30" (76.2 cm) on a gas stove. 36" (91.4 cm) maximum suggested from the base of the cabinet to the cooking surface.
- D. 12.2" (31 cm) minimum cabinet opening depth
- E. 15" (38.1 cm) min. clearance upper cabinet to countertop
- F. 36" (91.4 cm) base cabinet height

Note: for 28.5" and 34.5" hoods, a 36.7" (93.3cm) wide cabinet can also be used, checking in later steps, the orientation of the brackets.

## Venting Requirements

- Vent system must terminate to the outdoors, except for no vented (recirculating) installations.
- Do not terminate the vent system in an attic or other enclosed area.
- Do not use a 4" (10.2 cm) laundry-type wall cap.
- Rigid metal vent is recommended. Plastic or metal foil vent is not recommended. The length of vent system and number of elbows should be kept to a minimum to provide efficient performance.

### For the most efficient and quiet operation:

- Use no more than three 90° elbows.
- Make sure there is a minimum of 24" (61 cm) of straight vent between the elbows if more than 1 elbow is used.
- Do not install 2 elbows together.
- Use clamps to seal all joints in the vent system.
- The vent system must have a damper.
- Use caulking to seal exterior wall or roof opening around the cap.
- The size of the vent should be uniform.

### Cold weather installations

An additional back draft damper non return valve should be installed to minimize backward cold air flow and a thermal break should be installed to minimize conduction of outside temperatures as part of the vent system. The damper non return valve should be on the cold air side of the thermal break.

The break should be as close as possible to where the vent system enters the heated portion of the house.

### Makeup air

Local building codes may require the use of makeup air systems when using ventilation systems with greater than specified CFM of air movement. The specified CFM varies from locale to locale.

Consult your HVAC professional for specific requirements in your area.

## Ducting Options

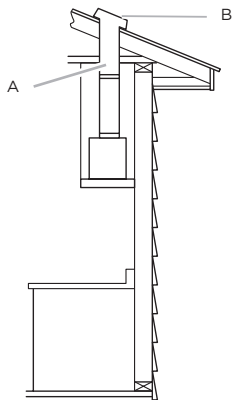
Closely follow the instructions set out in this manual. All responsibility, for any eventual inconveniences, damages or fires caused by not complying with the instructions in this manual, is declined.

### Ducting version

This range hood is factory set for venting through the roof or through the wall. The vent system needed for installation is not included.

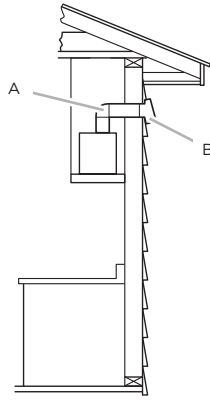
A 6" (15.2 cm) round vent system is recommended.

#### Roof Venting



A. 6" (15.2 cm) vent through the roof  
B. Roof cap

#### Wall Venting

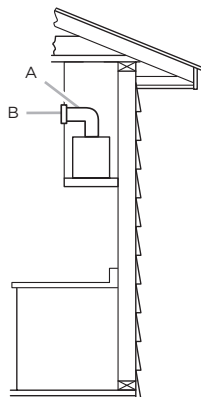


A. 6" (15.2 cm) vent through the wall  
B. Wall cap

### Ductless (Recirculating)

In cases where it should not be possible to discharge cooking fumes and vapour to the outside.

You can apply the recirculating venting method by purchasing the Recirculation Kit.



A. 6" (15.2 cm) vent through the cabinet  
B. Round recirculating grid

### Preparation

Fittings material is provided to secure the hood to most types of walls/ceilings.

However, a qualified technician must verify suitability of the materials in accordance with the type of wall/ceiling.

Before making cutouts, make sure there is proper clearance within the ceiling or wall for exhaust vent.

### ⚠ CAUTION

For gas cooktop & range installations: Mount the hood so the bottom is at least 27" (68,5 cm) above the cooking surface.

For electric/induction cooktop & range installations: Mount the hood so the bottom is at least 24" (61 cm) above the cooking surface.

There is no maximum mounting height, however, we recommend mounting the hood no greater than 36" (91.4 cm) above the cooking surface. For every inch (2.54 cm) above 36" (91.4 cm), fume and moisture capture efficiency diminishes at an increasing rate and may not deliver an acceptable level of ventilating performance.

This hood is intended for household use.

PLEASE READ THE INSTALLATION MANUAL FOR SPECIFIC APPLICATION. Check your ceiling height and hood height before selecting your hood.

## Electrical Requirements

### ⚠ WARNING

PLUG INTO A GROUNDED 3 PRONG OUTLET.

DO NOT REMOVE GROUND PRONG.

DO NOT USE AN ADAPTER.

DO NOT USE AN EXTENSION CORD.

FAILURE TO FOLLOW THESE INSTRUCTIONS CAN RESULT IN DEATH, FIRE, OR ELECTRICAL SHOCK.

IMPORTANT: The range hood must be electrically grounded in accordance with local codes and ordinances, or in the absence of local codes, with the National Electrical Code, ANSI/NFPA 70 (latest edition) or Canadian Electrical Code, CSA C22.1 No. 0-M91 (latest edition).

If codes permit and a separate ground wire is used, it is recommended that a qualified electrical installer determine that the ground path is adequate.

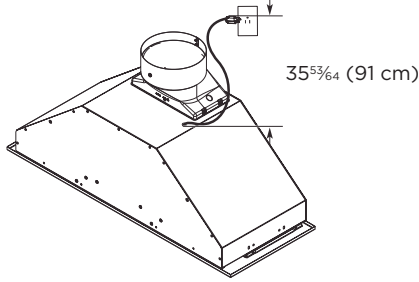
A copy of the above code standards can be obtained from:

National Fire Protection Association  
1 Batterymarch Park  
Quincy, MA 02169-7471  
CSA International  
8501 East Pleasant Valley Road  
Cleveland, Ohio 44131-5575

- A 120 volt, 60 Hz, AC only, 15- or 20-amp, fused electrical circuit is required. A time-delay fuse or circuit breaker is also recommended. It is recommended that a separate circuit serving only this range hood be provided.
- This range hood is equipped with a power supply cord having a 3 prong grounding plug.
- To minimize possible shock hazard, the cord must be plugged into a mating, 3 prong, grounding-type outlet, grounded in accordance with local codes and ordinances. If a mating outlet is not available, it is the personal responsibility and obligation of the customer to have the properly grounded outlet installed by a qualified electrician.
- If provided with an electrical plug, connect the hood to a receptacle that complies with current regulations and placed in an accessible position. Where an electrical plug is not provided (direct connection to electrical network) or the plug will not be in an accessible position after installation, place an approved bipolar switch in accessible position that provides full disconnection under

overvoltage category III conditions, in accordance with local wiring rules.

- The grounded 3 prong outlet is to be located inside the cabinet above the range hood at a minimum distance of 35.82" (91.0 cm) from where the power cord exits the hood. The grounded 3 prong outlet must be accessible after installation of the range hood. See illustration:



#### GROUNDING INSTRUCTIONS

- This range hood must be grounded. In the event of an electrical short circuit, grounding reduces the risk of electric shock by providing an escape wire for the electric current.
- This range hood is equipped with a cord having a grounding wire with a grounding plug. The plug must be plugged into an outlet that is properly installed and grounded.

**WARNING:** Improper grounding can result in a risk of electric shock.

Consult a qualified electrician if the grounding instructions are not completely understood, or if doubt exists as to whether the range hood is properly grounded.

Do not use an extension cord. If the power supply cord is too short, have a qualified electrician install an outlet near the range hood.

**SAVE THESE INSTRUCTIONS**

## Installation Instructions

#### Prepare location

It is recommended that the vent system be installed before the range hood is installed.

- Before making cutouts, make sure there is proper clearance within the ceiling or wall for vent fittings.
- Making the cutout to the bottom of the cabinet may be easier to do prior to mounting the cabinet to the wall.

- 1 Disconnect power.
- 2 Determine which venting method to use: roof, wall, or non vented.
- 3 Select a flat surface for assembling the range hood. Place covering over that surface.

#### **⚠ WARNING**

EXCESSIVE WEIGHT HAZARD

USE TWO OR MORE PEOPLE TO MOVE AND INSTALL RANGE HOOD.

FAILURE TO DO SO CAN RESULT IN BACK OR OTHER INJURY.

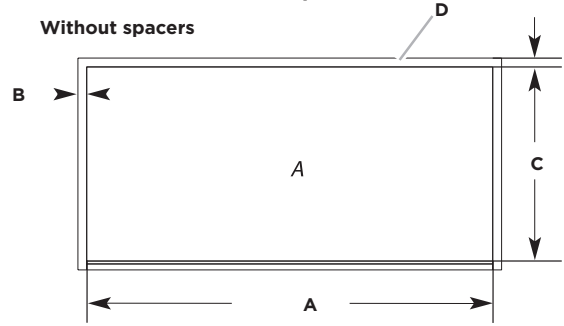
- 4 Using 2 or more people, lift range hood onto covered surface.

#### Range hood cabinet cutout

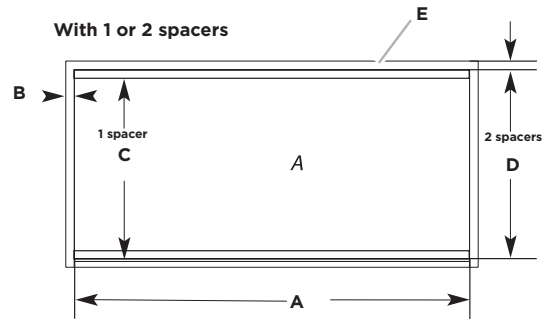
- 1 Use a saber saw or keyhole saw to cut out the cabinet bottom inside the cabinet frame.

**NOTE:** Frameless type cabinets require 0.75" (1.9 cm) front lip in the cabinet bottom. A 0.75" (1.9 cm) thick filler strip (not supplied) may be required for some types of cabinets. (See Step 3 in the "Install Range Hood" section).

#### Cut out dimensions (without spacers)



	Model	
	EPR628S2	EPR634S1
<b>A</b>	28.42" (72.2 cm)	34.29" (87.1 cm)
<b>B</b>	0.5" (1.27 cm)	0.5" (1.27 cm)
<b>C</b>	10.93" (27.8cm)	10.93" (27.8cm)
<b>D</b>	0.75" (1.9 cm)	0.75" (1.9 cm)



	Model	
	EPR628S2	EPR634S1
<b>A</b>	28.18" (72.2 cm)	34.29" (87.1 cm)
<b>B</b>	0.5" (1.27 cm)	0.5" (1.27 cm)
<b>C</b>	11.42" (29cm)	11.42" (29cm)
<b>D</b>	11.93" (30.3cm)	11.93" (30.3cm)
<b>E</b>	0.75" (1.9 cm)	0.75" (1.9 cm)

A. Bottom of cabinet cutout

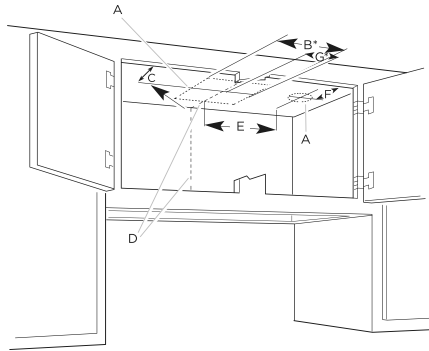
- 2 Complete cabinet preparation following the instructions for your type of venting (top or rear outlet). Determine venting cutout locations and cut out vent openings in the cabinets, walls and/or soffit.

### Venting outside through the roof

- 1 Measure and mark the lines as shown. Use a saber saw or keyhole saw to cut an opening through the top of the cabinet and the roof for the vent.

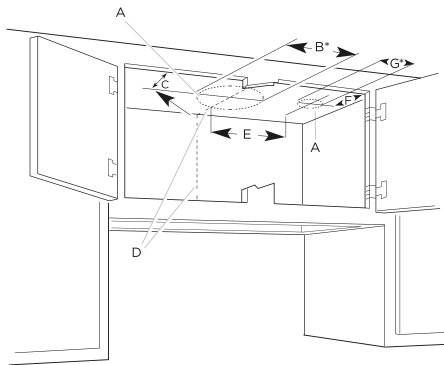
#### Cutout Chart

Cabinet Height	Hole Shape and Size
13.18" (33.5 cm)	A 8.26" wide x 6.25" deep (21 cm x 15.9 cm) rectangular opening in the cabinet top is required for damper transition clearance.
12" (30.5 cm)	



- A. Cutout
- B.  $8\frac{1}{4}"$  (21 cm) x  $6\frac{1}{4}"$  (15.9 cm)\*
- C.  $7\frac{3}{4}"$  (20 cm) centerline to cabinet front
- D. Centerline of the cabinet
- E.  $4\frac{1}{2}"$  (10.6 cm)
- F.  $3\frac{1}{4}"$  (8.3 cm) center to cabinet front
- G.  $\emptyset$  (4 cm)\*

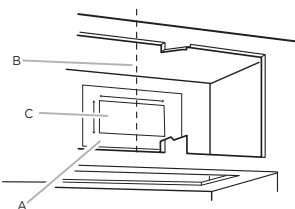
Cabinet Height	Hole Shape and Size
15" (38.1 cm)	A 6.25" (15.9 cm) diameter round opening is required.



- A. Cutout
- B.  $\emptyset$   $6\frac{1}{4}"$  (15.9 cm)\*
- C.  $7\frac{3}{4}"$  (19.8 cm) centerline to cabinet front
- D. Centerline of the cabinet
- E.  $4\frac{1}{2}"$  (10.6 cm)
- F.  $3\frac{1}{4}"$  (8.3 cm) center to cabinet front
- G.  $\emptyset$  (4 cm)\*

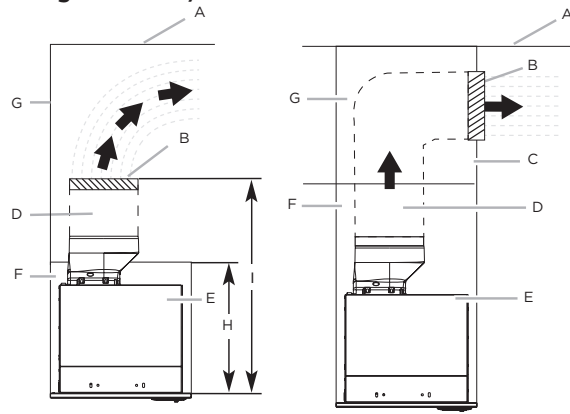
### Venting outside through the wall

- 1 Place the template for the cutout on the wall and drill the holes for the transition installation inside the cabinet. Aligning the cabinet base with the line marked on the template.



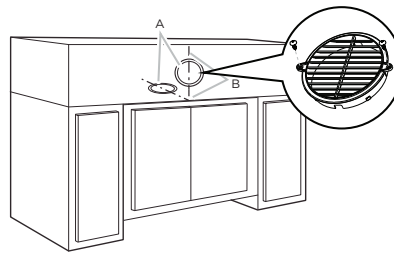
- A. Template
- B. Centerline
- C. Rectangular cut

### Non-vented (recirculating installation) through the soffit/cabinet



- A. Ceiling
- B. Vent cover
- C. Soffit
- D. 6" (15.2 cm) vent
- E. Range hood
- F. Cabinet
- G. Wall
- H. 12" (30.5 cm) min. cabinet height
- I. 17" (43.2 cm) min. vent cover height

- 1 Measure and mark the centerline of the cabinet to the soffit above.
- 2 Measure from the bottom of the cabinet to the centerline of the where the vent will come through the soffit. Mark the location and use a saber saw or keyhole saw to cut a 5.75" (14.6 cm) hole for the vent cover.



- A. Vent cover
- B. Centerline

\*NOTE: For 12" (30.5 cm) height cabinets a 6.25" deep x 8" wide (14.6 cm x 20.3 cm) rectangular opening in the cabinet top is required for damper transition clearance.

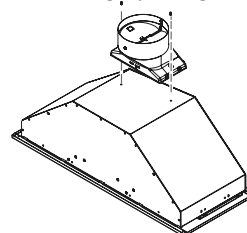
- 3 Consider the cutout chart measures to make the openings on the cabinet.

## Hood installation (Top outlet)

### ⚠ WARNING

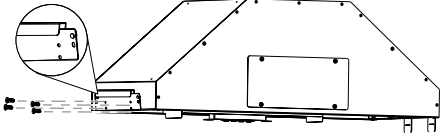
EXCESSIVE WEIGHT HAZARD.  
USE TWO OR MORE PEOPLE TO MOVE AND INSTALL RANGE HOOD. FAILURE TO DO SO CAN RESULT IN BACK OR OTHER INJURY.

- 1 Install the 6" (15.2 cm) air transition to the top of the range hood liner using two 3.5 x 9.5 mm (3.5 x 9.5 mm) pan head screws. Mount the vent duct you will be using over the 6" (15.2 cm) vent transition. Use caulk to seal the exterior wall or ceiling opening.

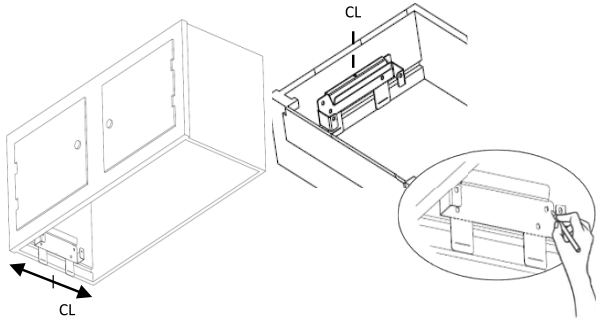




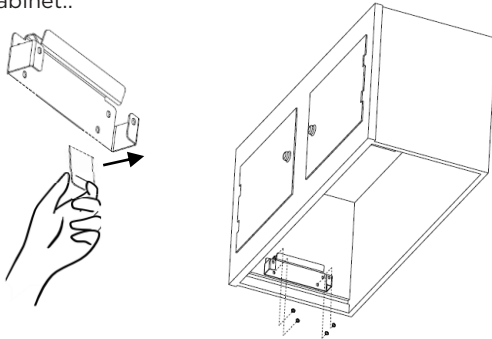
- 2 Place the hood face up on a covered surface. Install the hood mounting brackets with two 3.x9.5mm and two 4.2x8mm screws on each side. NOTE: The bracket flange should face the bottom of the hood.



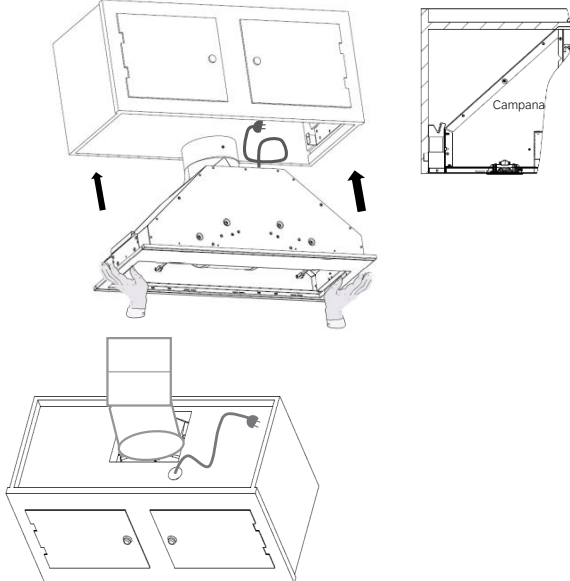
- 3 Center brackets across the width of the cabinet, using the center mark on the piece and aligning the excess to the cabinet base. Mark the holes in the cabinet and drill.



- 4 Remove the excess from each bracket and secure each with four 4.2x19mm screws and four 6.4x18mm washers to the cabinet..

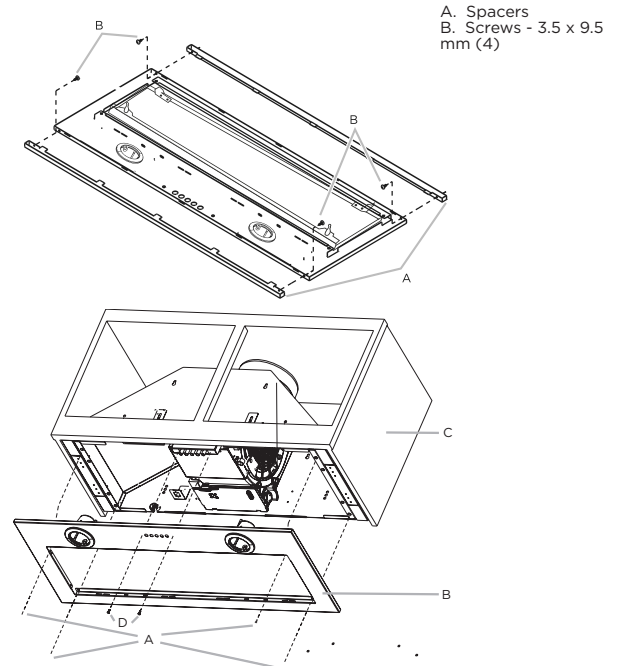


- 5 Then carefully insert the hood into the cabinet until a click is heard (one side must be inserted first and then the other)  
NOTE: Place the power cord through the cutout in the cabinet before raising the hood all the way up.



- 6 Remove grease filters and attach the bottom panel to the hood

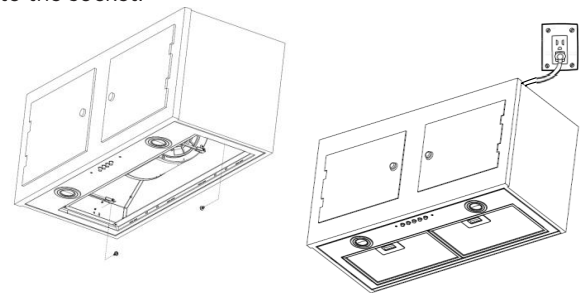
NOTE: If the cabinet depth is greater than 12", it is recommended that two 0.5" metal spacers be installed. Install them on the front and back of the panel with 4 x 3.5 x 9.5 screws as shown in the drawing.



A. Spacers  
B. Screws - 3.5 x 9.5 mm (4)

	Cabinet 28.5"	Cabinet 34.5"
A	Screws - 3.5 x 9.5 mm flathead (4)	Screws - 3.5 x 9.5 mm flathead (4)
B	Faceplate (shown 28.5" x 12" [72.39 cm x 30.5 cm])	Faceplate (shown 34 1/2" x 12" [87.6 cm x 30.5 cm])
C	Cabinet (shown 28.5" x 12" [72.39 cm x 30.5 cm])	Cabinet (shown 34 1/2" x 12" [87.6 cm x 30.5 cm])
D	Screws - 4.2 x 15 mm truss head (2)	Screws - 4.2 x 15 mm truss head (2)

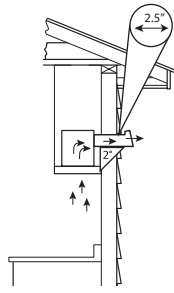
- 7 To secure the hood, place two screws internally, one per side and return the grease filters. Finally, connect the hood to the socket.



## Hood installation (Rear outlet)

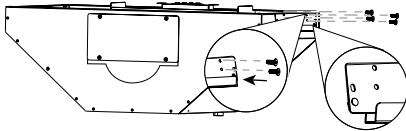
**⚠ WARNING**  
EXCESSIVE WEIGHT HAZARD.  
USE TWO OR MORE PEOPLE TO MOVE AND INSTALL RANGE HOOD. FAILURE TO DO SO CAN RESULT IN BACK OR OTHER INJURY.

NOTE: For horizontal rear ducting there must be a minimum of 2 1/2" of space open between the back of the hood insert and the wall.

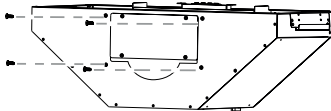


- 1 Place the hood face up on a covered surface. Install the hood mounting brackets with 2 x 3.5x9.5mm and 2 x 4.2x8mm screws on each side.

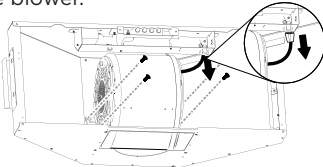
NOTE: The bracket flange must face the bottom of the hood.



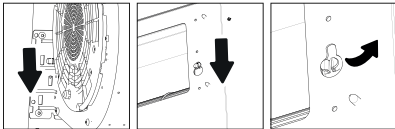
- 2 Remove the rear cover by removing the four (4) screws



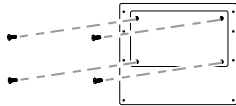
- 3 Disconnect the power cord and remove the four (4) screws securing the blower.



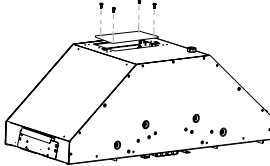
- 4 Rotate the blower 90 degrees to disassemble from the eyelet holes so the outlet is positioned over the rear outlet opening.



- 5 From the cover you remove earlier, remove the outlet cover cap.

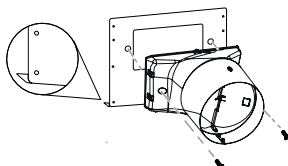


- 6 Install the outlet cover & (4) screws that were removed in step 2 over top outlet as shown in drawing.

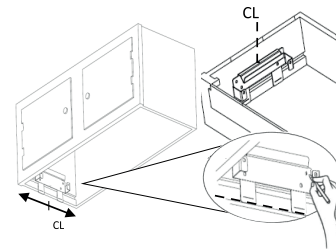


- 7 Install the 6" round transition over the rear cover with two (2) 3.5 x 9.5 mm screws.

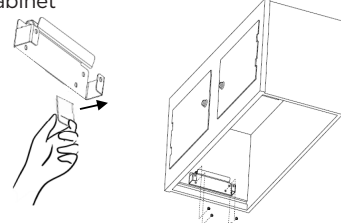
NOTE: The flat side of the transition should be pointing towards the narrow section of the hood body and opposite side of the transition should be pointing toward the wide section of the hood body. \*Note: Leave the transition aside until step 11.



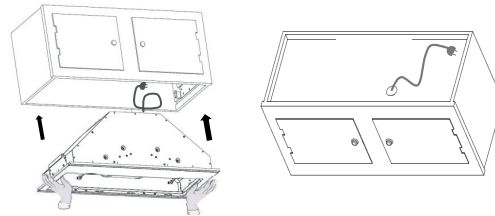
- 8 Center brackets across the width of the cabinet, using the center mark on the piece and aligning the excess to the cabinet base. Mark the holes in the cabinet and drill.



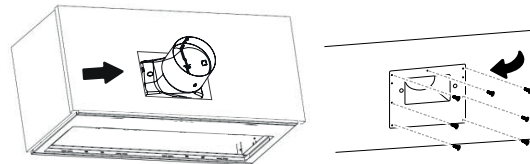
- 9 Remove the excess metal flaps from each bracket by pushing back and forth until they separate. Attach each bracket with four (4) 2 x 19 mm screws and four (4) 4 x 18 mm washers to the cabinet



- 10 Carefully insert the hood into the cabinet until you hear a click (one side must be inserted first, then the other). NOTE: Pass the power cord through the cutout in the cabinet before inserting the hood canopy/body into the cabinet.

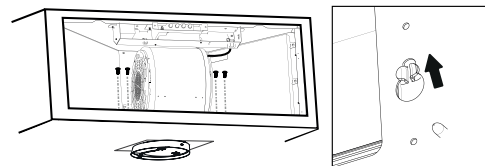


- 11 Pass the transition from the inside of the hood all the way to the rear air outlet cutout and screw from the inside with (7) 4.2 x 8 mm screws.



- 12 Place the motor with the flatter side down and facing the air outlet towards the rear, assemble the eyelet holes to hold it. Then screw the motor from the inside of the hood with the 4 screws that were initially attached

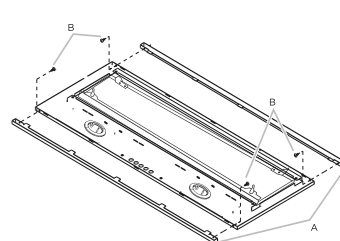
\*NOTE: The drawing is just for reference on how to install the motor, the transition is not facing down



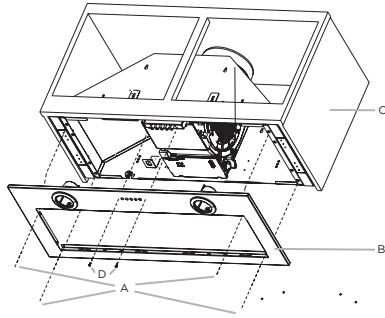
- 13 Reconnect the motor power cord to the hood.

- 14 Remove the grease filters from the bottom panel and secure it to the hood with 6 screws.

NOTE: If the cabinet depth is greater than 12", it is recommended to install two 0.5" metal spacers. Install them on the front and back of the panel with 4 x 3.5 x 9.5 screws as shown in the drawing.

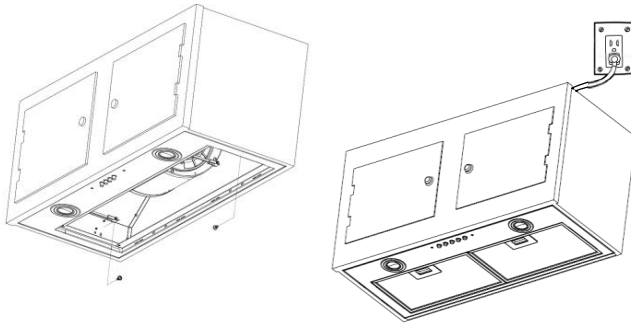


A. Spacers  
B. Screws - 3.5 x 9.5 mm (4)



	Cabinet 28.5"	Cabinet 34.5"
<b>A</b>	Screws - 3.5 x 9.5 mm flat head (4)	Screws - 3.5 x 9.5 mm flat head (4)
<b>B</b>	Faceplate (shown 28.5" x 12" [72.39 cm x 30.5 cm])	Faceplate (shown 34 1/2" x 12" [87.6 cm x 30.5 cm])
<b>C</b>	Cabinet (shown 28.5" x 12" [72.39 cm x 30.5 cm])	Cabinet (shown 34 1/2" x 12" [87.6 cm x 30.5 cm])
<b>D</b>	Screws - 4.2 x 15 mm truss head (2)	

- 15** To secure the hood, internally place two screws, one per side and place again the grease filters. Finally, connect the hood to the electrical outlet.



## Connect the Vent System

### Vented Installations

- 1 Connect the vent system to the range hood vent opening. Seal the connection with clamps.

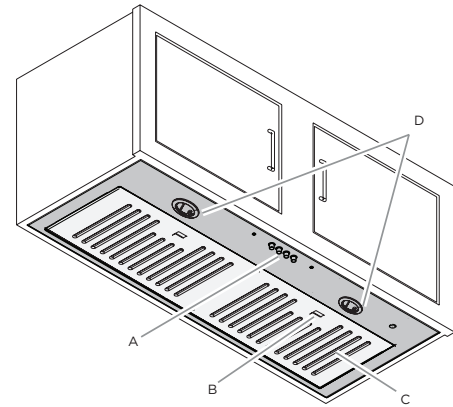
### Non-Vented (recirculating) Installations

- 1 Connect the vent system to the range hood vent opening. Seal the connection with clamps.
- 2 Install charcoal filters. See the "Available accessories" section.

## Description of the Hood

The range hood is designed to remove smoke, cooking vapors and odors from the cooktop area. For best results, start the hood before cooking and allow it to operate several minutes after the cooking is complete to clear all smoke and odors from the kitchen.

The hood controls are located on the center of the front of the range hood liner.



- A. Blower and light controls
- B. Grease filter handle
- C. Grease filter
- D. LED lamps

## Complete Installation

- 1 Replace grease filters. See the "Maintenance" section.

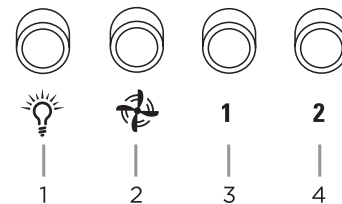
**⚠ WARNING**  
ELECTRICAL SHOCK HAZARD

**⚠ WARNING**  
PLUG INTO A GROUNDED 3 PRONG OUTLET.  
DO NOT REMOVE GROUND PRONG.  
DO NOT USE AN ADAPTER.  
DO NOT USE AN EXTENSION CORD.  
FAILURE TO FOLLOW THESE INSTRUCTIONS CAN RESULT IN DEATH, FIRE, OR ELECTRICAL SHOCK.

- 2 Plug 3-prong power cord into a grounded 3-prong outlet located inside the cabinet above the range hood.
- 3 Check the operation of the range hood fan and light. See "Description of the hood" section. If range hood does not operate, check to see whether a circuit breaker has tripped or a household fuse has blown. Disconnect power and check wiring connections.

**NOTE:** To get the most efficient use from your new range hood, read the "Description of the hood" section.

### Controls



- 1 On/Off light button
- 2 Blower off and speed minimum button
- 3 Blower speed medium button
- 4 Blower speed maximum button

### Operating the Light

The On/Off light button controls all lights. Press once for On and again for Off.

### Operating the Blower

The BLOWER SPEED buttons turn the blower on and control the blower speed and sound level for quiet operation. The speed can be changed anytime during fan operation by pressing the desired blower speed button. Press the BLOWER OFF button a second time to turn off the blower.

## Maintenance

### Cleaning

**IMPORTANT:** Clean the hood and grease filters frequently according to the following instructions. Replace grease filter before operating the hood.

### Exterior surfaces

To avoid damage to the exterior surface, do not use steel wool or soap-filled scouring pads.

Always wipe dry to avoid water marks.

### Cleaning method:

- Liquid detergent soap and water, or all-purpose cleanser
- Wipe with damp soft cloth or nonabrasive sponge, then rinse with clean water and wipe dry.

### ⚠ WARNING:

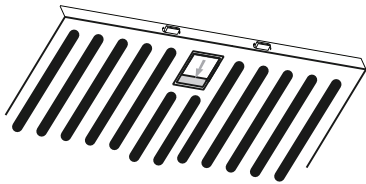
Failure to carry out the basic cleaning recommendations of the cooker hood and replacement of the filters may cause fire risks. Therefore, we recommend observing these instructions. The manufacturer declines all responsibility for any damage to the motor or any fire damage linked to inappropriate maintenance or failure to observe the above safety recommendations.

### Metal grease filter

The filters should be washed frequently. Place metal filters in dishwasher or hot detergent solution to clean. Let filter dry thoroughly before replacing it.

Turn off fan and lights. Allow lamps to cool.

- 1 Remove each filter by pulling the spring release handle and then pulling down the filter.



- 2 Wash metal filters as needed in dishwasher or hot detergent solution.
- 3 Reinstall the filter by making sure the spring release handles are toward the front. Insert metal grease filter into upper track.
- 4 Pull the spring release handle down.
- 5 Push up on metal filter and release handle to latch into place.
- 6 Repeat steps 1-5 for the other filter.

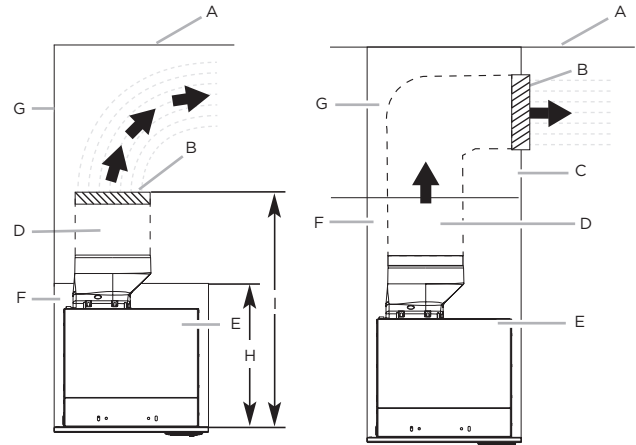
### Replacing a LED lamp

The LED lights are replaceable by a service technician only. See "Who to contact" section in the warranty for service contact information.

## Available Accessories

### Recirculating kit

If it is not possible to vent cooking fumes and vapors to the outside, the range hood can be used in the non-vented (recirculating) version, using a charcoal filter. Recirculation Kit is available from the dealer or an authorized parts distributor.

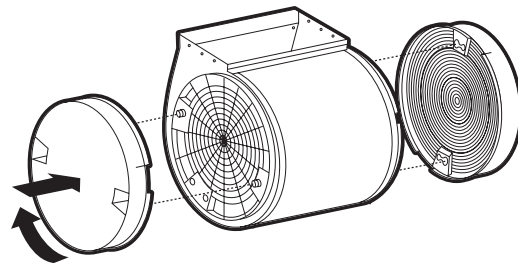


A. Ceiling  
B. Vent cover  
C. Soffit  
D. 6" (15.2 cm) vent  
E. Range hood

A. Cabinet  
B. Wall  
C. 12" (30.5 cm) min. cabinet height  
D. 17" (43.2 cm) min. vent cover height

**NOTE:** 12" (30.5 cm) high cabinets without a soffit may allow the 6" vent and vent cover to be seen.

- 1 Cover the grill that protects the suction motor with the carbon filter so that the slots on the filter correspond to the pins on the sides of the motor protection grill.
- 2 Turn the carbon filter clockwise to block them (bayonet fixing).
  - The charcoal filters cannot be cleaned. It should be replaced every 4-6 months (depending on hood usage).
  - Remove the cable ties in the carbon filter to be able to turning it clockwise.



### Extension liner kit - not included

- 36" wide x 17" or 20" deep liner provides complete protection of the cabinets.

See Liner installation instructions for more detail.

To provide protection for the cabinet, a 30" and a 36" wide cover extension is available.

# ELICA North America

## TWO-YEAR LIMITED WARRANTY

Register your product in

**elica.com**

and earn a 3<sup>rd</sup> year of factory warranty, covering all parts plus in-home labor.

### TO OBTAIN SERVICE UNDER WARRANTY

Owner must present proof of original purchase date. Please keep a copy of your dated proof of purchase (sales slip) in order to obtain service under warranty.

### PARTS AND SERVICE WARRANTY

For the period of two (2) years from the date of the original purchase, Elica will provide free of charge, non consumable parts or components that failed due to manufacturing defects. During these two (2) years limited warranty, Elica will also provide free of charge, all labor and in-home service to replace any defective parts.

### WHAT IS NOT COVERED

- Damage or failure to the product caused by accident or act of God, such as, flood, fire or earthquake.
- Damage or failure caused by modification of the product or use of non-genuine parts.
- Damage or failure to the product caused during delivery, handling or installation.
- Damage or failure to the product caused by operator abuse.
- Damage or failure to the product caused by dwelling fuse replacement or resetting of circuit breakers.
- Damage or failure caused by use of product in a commercial application.
- Service trips to dwelling to provide use or installation guidance.
- Light bulbs, metal or carbon filters and any other consumable part.
- Normal wear of finish.
- Wear to finish due to operator abuse, improper maintenance, use of corrosive or abrasive cleaning products/pads and oven cleaner products.

### WHO IS COVERED

This warranty is extended to the original purchaser for products purchased for ordinary residential use in North America (Including the United States, Guam, Puerto Rico, US Virgin Islands & Canada).

This warranty is non-transferable and applies only to the original purchaser and does not extend to subsequent owners of the product. This warranty is made expressly in lieu of all other warranties, expressed or implied, including, but not limited to any implied warranty of merchantability or fitness for a particular purpose and all other obligations on the part of Elica North America, provided, however, that if the disclaimer of implied warranties is ineffective under applicable law, the duration of any implied warranty arising by operation of law shall be limited to two (2) years from the date of original purchase at retail or such longer period as may be required by applicable law.

This warranty does not cover any special, incidental and/or consequential damages, nor loss of profits, suffered by the original purchaser, its customers and/or the users of the Products.

### WHO TO CONTACT

To obtain service under warranty or for any service related question:

- Elica North America Service, call at 1 888 732 8018
- For Eastern Canada, call ELECTRO-EXPERTS at 1 888 915 8888. Ask for the service department
- [elica@servicepower.com](mailto:elica@servicepower.com)

**Table des matières**

Avis de sécurité important .....	15
Liste des pièces .....	16
Pièces fournies .....	16
Pièces non fournies .....	16
Dimensions et dégagement .....	17
Exigences concernant l'évacuation .....	17
Exemples et possibilités de positionnement des conduits .....	18
Version à conduit .....	18
Version sans conduit (Recyclage) .....	18
Spécifications électriques .....	18
Instructions d'installation.....	19
Installation de la hotte .....	22
Raccordement du circuit d'évacuation.....	22
Achever l'installation .....	22
Description de la hotte.. .....	23
Commandes .....	23
Entretien .....	23
Accessoires.....	24
Garantie.....	25

**APPROUVÉ POUR LES APPAREILS DE TYPE RÉSIDENTIEL  
POUR UNE UTILISATION RÉSIDENTIELLE SEULEMENT  
LISEZ CES INSTRUCTIONS ET CONSERVEZ-LES**

**VEUILLEZ LIRE CES INSTRUCTIONS AU COMPLET AVANT DE COMMENCER.  
L'INSTALLATION DE L'APPAREIL DOIT RESPECTER TOUS LES CODES EN VIGUEUR.**

**IMPORTANT :** Conservez ces instructions afin de pouvoir les remettre à l'inspecteur-électricien de votre région.

**INSTALLATEUR :** Veuillez laisser ces instructions avec l'appareil pour le propriétaire.

**PROPRIÉTAIRE :** Veuillez conserver ces instructions pour pouvoir vous y référer plus tard.

**Avertissement de sécurité :** Coupez l'alimentation du circuit dans le panneau électrique et verrouillez le panneau avant de raccorder les fils de cet appareil.

**Exigence :** 120 V c.a., 60 Hz circuit de dérivation de 15 V c.a., 20 Hz, de 15 ou 20 A.

## ⚠ Avis de Sécurité Important

### ⚠ ATTENTION

APPAREIL CONÇU EXCLUSIVEMENT POUR UNE UTILISATION À L'INTÉRIEUR.

**⚠ ATTENTION:** POUR UNE UTILISATION GÉNÉRALE DE VENTILATION UNIQUEMENT. NE PAS UTILISER POUR ÉVACUER DES MATIÈRES ET DES VAPEURS DANGEREUSES OU EXPLOSIVES.

**⚠ AVERTISSEMENT:** POUR RÉDUIRE LES RISQUES D'INCENDIE, DE CHOC ÉLECTRIQUE OU DE BLESSURES AUX PERSONNES, RESPECTEZ CE QUI SUIT:

**a)** N'utilisez cet appareil que de la manière prévue par le fabricant. Si vous avez des questions, contactez le fabricant.

**b)** Avant de procéder à l'entretien ou au nettoyage de l'appareil, coupez l'alimentation au niveau du panneau de service et verrouillez le dispositif de déconnexion du service afin d'éviter toute remise sous tension accidentelle. Si le dispositif de déconnexion ne peut pas être verrouillé, fixez solidement un dispositif d'avertissement bien visible, tel qu'une étiquette, sur le panneau de service.

**⚠ AVERTISSEMENT:** POUR RÉDUIRE LES RISQUES D'INCENDIE, D'ÉLECTROCUTION OU DE BLESSURE, RESPECTEZ LES POINTS SUIVANTS:

**a)** Les travaux d'installation et le câblage électrique doivent être effectués par des personnes qualifiées, conformément à tous les codes et normes applicables, y compris la construction à indice de résistance au feu.

**b)** Une quantité d'air suffisante est nécessaire pour assurer une bonne combustion et l'évacuation des gaz par le conduit (cheminée) des appareils à combustible, afin d'éviter le refoulement. Suivez les directives du fabricant de l'équipement de chauffage et les normes de sécurité telles que celles publiées par la National Fire Protection Association (NFPA) et l'American Society for Heating, Refrigeration and Air Conditioning Engineers (ASHRAE), ainsi que les autorités locales compétentes en matière de code.

**c)** Lorsque vous découpez ou percez un mur ou un plafond, n'endommagez pas le câblage électrique et les autres services cachés.

**d)** Les ventilateurs aspirants doivent toujours être ventilés vers l'extérieur.

**⚠ ATTENTION:** AFIN DE RÉDUIRE LES RISQUES D'INCENDIE ET D'ÉVACUER CORRECTEMENT L'AIR, VEILLEZ À ÉVACUER L'AIR À L'EXTÉRIEUR - NE PAS ÉVACUER L'AIR À L'INTÉRIEUR DES MURS OU DES PLAFONDS, DANS LES GRENIERS OU LES VIDES SANITAIRES, OU DANS LES GARAGES.

**⚠ AVERTISSEMENT:** POUR RÉDUIRE LE RISQUE D'INCENDIE OU DE CHOC ÉLECTRIQUE, N'UTILISEZ PAS CE VENTILATEUR AVEC UN DISPOSITIF DE CONTRÔLE DE VITESSE À SEMI-CONDUCTEURS.

**⚠ AVERTISSEMENT:** POUR RÉDUIRE LE RISQUE D'INCENDIE, N'UTILISEZ QUE DES CONDUITS MÉTALLIQUES.

**REMARQUE:** Avant toute opération de nettoyage ou d'entretien, débrancher la hotte en retirant la fiche ou en déconnectant l'alimentation électrique.

**⚠ AVERTISSEMENT:** POUR RÉDUIRE LE RISQUE D'INCENDIE DE GRAISSE SUR LA CUISINIÈRE:

**a)** Ne laissez jamais les appareils de surface sans surveillance à des réglages élevés. Les ébullitions provoquent des fumées et des débordements graisseux qui peuvent s'enflammer. Faites chauffer les huiles lentement à feu doux ou moyen.

**b)** Allumez toujours la hotte lorsque vous cuisinez à feu vif. Ne faites pas flamber d'aliments sous la hotte.

**c)** Nettoyez fréquemment les ventilateurs AU MOINS TOUS LES 2 MOIS. La graisse ne doit pas s'accumuler sur le ventilateur ou le filtre.

**d)** Utilisez des casseroles de taille appropriée. Utilisez toujours des ustensiles de cuisine adaptés à la taille de l'élément de surface.

**REMARQUE:** Portez toujours des gants de travail pour toutes les opérations d'installation et d'entretien.

**⚠ AVERTISSEMENT:** POUR RÉDUIRE LES RISQUES D'INCENDIE ET DE CHOC ÉLECTRIQUE, N'INSTALLEZ CETTE HOTTE QU'AVEC DES MODÈLES DE SOUFFLERIE À DISTANCE D'UNE PUISSANCE MAXIMALE (courant et/ou chevaux) OU DES SOUFFLERIES INTÉGRALES FABRIQUÉES PAR (nom du fabricant), modèle(s) (nom de l'appareil).

**REMARQUE:** a Puissance maximale recommandée pour la soufflerie à distance.

-Consultez le tableau des valeurs nominales dans cette section du manuel-

**⚠ AVERTISSEMENT:** POUR RÉDUIRE LE RISQUE DE BLESSURES AUX PERSONNES EN CAS D'INCENDIE DE GRAISSE DE POÊLE, RESPECTEZ LES DISPOSITIONS SUIVANTES: <sup>a</sup>

**a)** ÉTEIGNEZ LES FLAMMES à l'aide d'un couvercle hermétique, d'une plaque à biscuits ou d'un plateau métallique, puis éteignez le brûleur. SOYEZ PRUDENT POUR ÉVITER LES BRÛLURES. Si les flammes ne s'éteignent pas immédiatement, ÉVACUEZ ET APPELEZ LES POMPIERS.

**b)** Ne ramassez jamais une casserole en feu-Vous pourriez vous brûler.

**c)** N'UTILISEZ PAS D'EAU, y compris des torchons ou des serviettes mouillés - une violente explosion de vapeur s'en suivrait.

**d)** Utilisez un extincteur UNIQUEMENT si:

- Vous savez que vous avez un extincteur de classe ABC et vous savez déjà comment le faire fonctionner.

- Le feu est petit et contenu dans la zone où il s'est déclaré. Les pompiers sont appelés.

- Vous pouvez combattre le feu en tournant le dos à une sortie.

<sup>a</sup>Selon les "Conseils de sécurité en cas d'incendie dans la cuisine" publiés par la NFPA.

**REMARQUE:** L'appareil n'est pas destiné à une utilisation par des enfants ou des personnes à capacités physiques, sensorielles ou mentales réduites et sans expérience et connaissance à moins qu'ils ne soient sous la supervision ou formés sur l'utilisation de l'appareil par une personne responsable de leur sécurité.

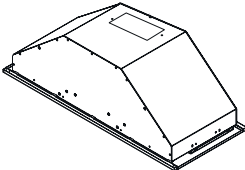



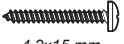



**REMARQUE:** Les enfants doivent être surveillés afin qu'ils ne jouent pas avec l'appareil.

## Liste des Pièces

Retirer les pièces de leur emballage.

### ⚠ ATTENTION

Enlever délicatement le carton, porter des gants pour se protéger des bords coupants.

Pièces Fournies	Quantité
 Assemblage hotte avec soufflerie et lampes DEL	1
 4.2 x 8 mm	4
 4.5x13 mm	8
 3.5x9.5 mm vis à tête ronde	4
 4.2x15 mm	2
 3.5x9,5 mm vis à tête plate	4
 4.2x19 mm	8
 Adaptateur Torx #10	1

### Pièces non Fournies

#### Outils nécessaires

- Niveau
- Perceuse
- Foret de 0.12" (3 mm)
- Crayon
- Pince
- Mètre-ruban ou règle
- Pistolet à calfeutrage et composé de calfeutrage résistant aux intempéries
- Tournevis Phillips
- Tournevis à lame plate
- Scie sauteuse ou scie à guichet
- Brides de conduit
- Cisaille de ferblantier

#### Pièces nécessaires

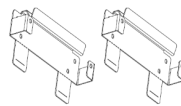
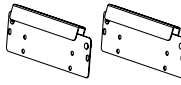

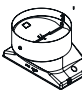


- Système de conduit d'évacuation métallique rond de 6" (15,2 cm)

#### Accessoires optionnel

KIT	# Pièce	
	<b>28.5" (72.39 cm)</b>	
<b>Clapet antiretour</b>	KIT02770	
<b>Kit d'extension</b>	Jusqu'à 30" de large KIT02773	Jusqu'à 36" de large KIT02774

### ⚠ AVERTISSEMENT

Enlever le film de protection recouvrant le produit avant de commencer l'opération.

Pièces Fournies	Quantité
 Brides de montage	2
 Supports de montage de la hotte	2
 Barres d'espacement (pour une utilisation lorsque la profondeur du cabinet est supérieure à 12")	2
 Transición 6"	1
 Rondelles Ø 6,4x18 mm	8
 Rondelles Ø 4.2x12 mm	8

#### Exigences d'emplacement:

**IMPORTANT:** Observer les dispositions de tous les codes et règlements en vigueur.

Confier l'installation de la hotte à un technicien qualifié. C'est à l'installateur qu'incombe la responsabilité de respecter les distances de séparation exigées, spécifiées sur la plaque signalétique de l'appareil. La plaque signalétique de l'appareil est située derrière le filtre, sur la paroi arrière gauche de la hotte. Installer la hotte de cuisinière à distance de toute zone exposée à des courants d'air, comme fenêtres, portes et bouches de chauffage.

- Respecter les dimensions indiquées pour les ouvertures à découper dans les placards. Ces dimensions tiennent compte des valeurs minimales des dégagements de séparation.
- Avant d'effectuer des découpages, consulter les instructions d'installation de la table de cuisson/cuisinière. On doit disposer d'une prise de courant électrique reliée à la terre. Voir la section "Spécifications électriques".
- La hotte a été configurée à l'usine pour une installation avec et sans décharge à l'extérieur (recyclage), voir "Installation sans décharge à l'extérieur (recyclage) à travers le soffite/placard", à la section "Préparation de l'emplacement".

Ensemble de filtres à charbon (pièce numéro W10272068) est disponible chez votre marchand ou chez un distributeur de pièces autorisé. Assurer l'étanchéité au niveau de chaque ouverture découpée dans le plafond ou le mur pour l'installation de la hotte de cuisinière.

#### Installation dans une résidence mobile

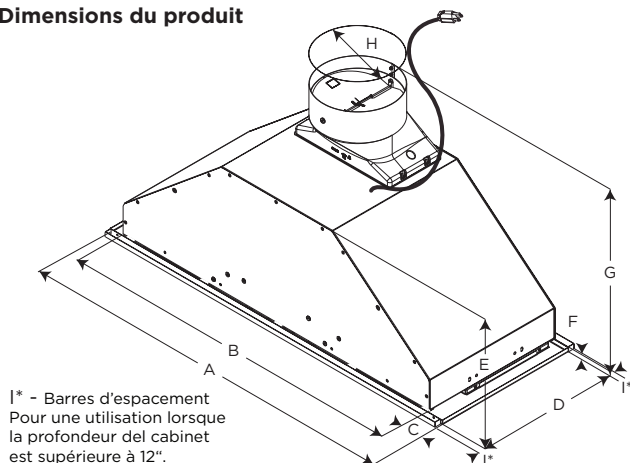
L'installation de cette hotte doit satisfaire aux exigences de la norme Manufactured Home Construction Safety Standards, Titre 24 CFR, partie 328 (anciennement Federal Standard for Mobile Home Construction and Safety, titre 24, HUD, partie 280); lorsque cette norme n'est pas applicable, l'installation doit satisfaire aux critères de la plus récente édition de la norme Manufactured Home Installation 1982 (Manufactured Home Sites, Communities and Setups) ANSI A225.1/NFPA 501A, ou des codes locaux.

®TORX est une marque déposée de Saturn Fasteners, Inc.



## Dimensions et dégagements du produit

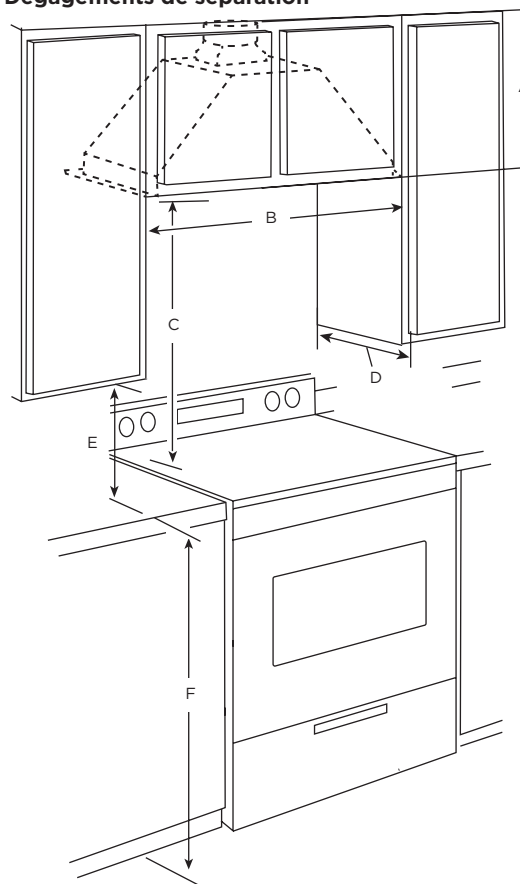
### Dimensions du produit



	Modèle	
	EPR628S2	EPR634S1
<b>A</b>	28 $\frac{1}{4}$ " (71.8 cm)	34 $\frac{3}{16}$ " (86.7 cm)
<b>B</b>	26" (66 cm)	26" (66 cm)
<b>C</b>	1 $\frac{1}{8}$ " (2.9 cm)	4 $\frac{1}{16}$ " (10.3 cm)
<b>D</b>	10 $\frac{3}{4}$ " (27.3 cm)	10 $\frac{3}{4}$ " (27.3 cm)
<b>E</b>	10 $\frac{1}{16}$ " (27.2 cm)	10 $\frac{1}{16}$ " (27.2 cm)
<b>F</b>	$\frac{5}{16}$ " (.85 cm)	$\frac{3}{8}$ " (0.95 cm)
<b>G</b>	15 $\frac{3}{4}$ " (40 cm)	15 $\frac{3}{4}$ " (40 cm)
<b>H</b>	6" (15.2 cm)	6" (15.2 cm)
<b>I</b>	$\frac{1}{2}$ " (1.27 cm)	$\frac{1}{2}$ " (1.27 cm)

Pour l'installation d'une cuisinière à gaz : installez cette hotte de façon à ce que le bord inférieur soit à au moins 30 po (76,2 cm) au-dessus de la surface de cuisson. Pour l'installation d'une cuisinière électrique : installez cette hotte de façon à ce que le bas soit à au moins 24 po (61 cm).

### Dégagements de séparation



- A. Hauteur minimale de placard 13.18" (33.5 cm)
- B. Largeur d'armoire de 74,8 cm (29,4") pour une hotte de 28,5" et de 89,7 cm (35,3") pour une hotte de 34,5".
- C. 24" (61 cm) min. à partir de la surface de cuisson électrique, 30" (76.2 cm) min. à partir de la surface de cuisson au gaz; distance max. suggérée de 36" (91,4 cm) entre le bas du placard et la surface de cuisson.
- D. Profondeur minimale de placard de 12.20" (31 cm)
- E. Dégagement min. entre le haut du placard et le plan de travail de 15" (38,1 cm)
- F. Hauteur de placard sur plancher de 36" (91,4 cm)

Remarque : pour les hottes de 28,5" et 34,5", il est également possible d'utiliser une armoire de 93,3 cm (36,7") de large, en vérifiant dans les étapes suivantes l'orientation des supports.

## Exigences Concernant l'évacuation

- Le circuit d'évacuation doit décharger l'air à l'extérieur, excepté pour les installations sans décharge à l'extérieur (recyclage).
- Ne pas terminer le circuit d'évacuation dans un grenier ou dans un autre espace clos.
- Ne pas utiliser une bouche de décharge murale de 4" (10,2 cm) normalement utilisée pour un équipement de buanderie.
- Utiliser un conduit métallique uniquement. Un conduit en métal rigide est recommandé. Ne pas utiliser de conduit de plastique ou en aluminium. La longueur du conduit de décharge et le nombre de coudes doivent être réduits au minimum pour fournir la meilleure performance.

### Pour un fonctionnement efficace et silencieux:

- Ne pas utiliser plus de trois coudes à 90°.
- Veiller à ce qu'il y ait une section droite de conduit d'un minimum de 24" (61 cm) entre les raccords coudés, si on doit en utiliser plus d'un.
- Ne pas installer 2 coudes successifs.
- Le circuit d'évacuation doit comporter un clapet anti-r flux.
- Au niveau de chaque jointure du circuit d'évacuation, assurer l'étanchéité avec les brides de serrage.
- À l'aide d'un produit de calfeutrage, assurer l'étanchéité autour de la bouche de décharge à l'extérieur (à travers le mur ou le toit).
- La taille du conduit doit être uniforme.

## Installations dans les régions au climat froid

On doit installer un clapet anti-retour valve supplémentaire à l'arrière pour minimiser le reflux d'air froid et incorporer un élément d'isolation thermique pour minimiser la conduction de chaleur par l'intermédiaire du conduit d'évacuation, de l'intérieur de la maison à l'extérieur. Le clapet anti-retour valve doit être placé du côté air froid de la résistance thermique.

## Air d'appoint

Les codes du bâtiment locaux peuvent exiger l'emploi d'un système de renouvellement de l'air/introduction d'air d'appoint, lors de l'utilisation d'un système d'aspiration de débit supérieur à une valeur (pieds cubes par minute) spécifiée. Le débit spécifié en pieds cubes par minute varie d'une juridiction à l'autre.

Consulter un professionnel des installations de chauffage ventilation/climatisation au sujet des exigences spécifiques applicables dans la juridiction locale.

## Méthodes d'évacuation

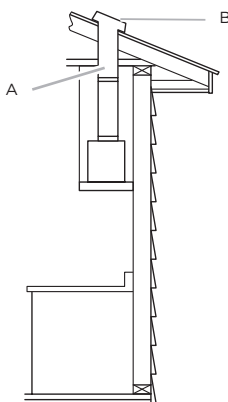
Suivez à la lettre les directives présentées dans ce manuel. Le fabricant refuse toute responsabilité en ce qui a trait à tout préjudice, dommage ou incendie causé par la non observation des directives contenues dans le présent manuel.

### Version à conduit

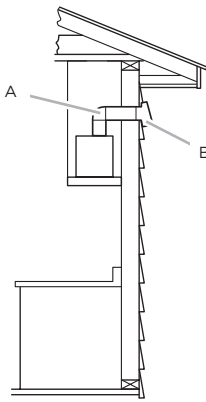
La hotte est dotée d'une transition 6" (15,2 cm) afin d'évacuer les vapeurs à l'extérieur.

Décharge à travers le toit

Décharge à travers le mur



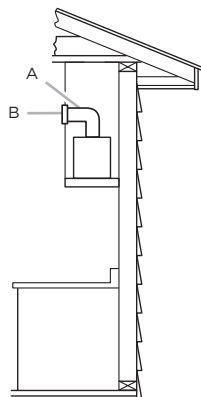
A. Conduit de dia. 6" (15,2 cm) pour décharge à travers le toit  
B. Bouche de décharge sur toit



A. Conduit de dia. 6" (15,2 cm) pour décharge à travers le mur  
B. Bouche de décharge murale

### Version sans conduit (Recyclage)

S'il s'avère impossible d'évacuer la fumée et les vapeurs de cuisson à l'extérieur, il est possible de transformer la hotte en version sans conduit (Recyclage). Dans le cas de la version sans conduit (à recyclage) seulement: procurez-vous la trousse de conversion en hotte à recyclage.



A. Conduit de dia. 6" (15,2 cm) pour décharge à travers le placard  
B. Grille de recirculation rond

## Préparation

Ne coupez pas une solive ou un montant à moins qu'il soit absolument nécessaire de le faire. Si vous devez couper une solive ou un montant, vous devez construire un cadre de soutien. La quincaillerie fournie permet de fixer la hotte à la plupart des murs et des plafonds.

Vous devez cependant demander à un technicien qualifié de vérifier la solidité des matériaux selon le type de mur ou de plafond.

Avant de couper, assurez-vous qu'il y a un dégagement suffisant dans le plafond ou le mur pour passer la conduite de sortie.

## ⚠ ATTENTION

Pour l'installation des cuisinières à gaz: Installer cette hotte de sorte que le rebord inférieur est à 27" (68,5 cm) au-dessus de la surface de cuisson.

Pour l'installation des cuisinières électriques / induction: Installer cette hotte de sorte que le rebord inférieur est pas moins de 24" (61 cm) sur la surface de cuisson.

Il est recommandé d'installer cette hotte plus de 36" (91,4 cm) au-dessus de la surface de cuisson. Par pouce (2,54 cm) supérieure à 36" (91,4 cm) diminuera l'efficacité de la capture de la fumée et de l'humidité, et la performance de ventilation.

S'IL VOUS PLAÎT LIRE L'INSTALLATION POUR UNE INSTALLATION SPÉCIFIQUE. Avant de choisir la hotte, vérifiez la hauteur du plafond et la hauteur maximale de la hotte.

## Spécifications électriques

### ⚠ AVERTISSEMENT

BRANCHER SUR UNE PRISE À 3 ALVÉOLES RELIÉE À LA TERRE. NE PAS ENLEVER LA BROCHE DE LIAISON À LA TERRE. NE PAS UTILISER UN ADAPTATEUR.

NE PAS UTILISER UN CÂBLE DE RALLONGE.

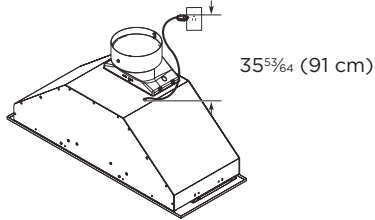
LE NON-RESPECT DE CES INSTRUCTIONS PEUT CAUSER UN DÉCÈS, UN INCENDIE OU UN CHOC ÉLECTRIQUE.

IMPORTANT: La hotte doit être correctement reliée à la terre en conformité avec les codes et règlements locaux en vigueur, ou en l'absence de tels codes, avec le National Electrical Code, ANSI/ NFPA 70 (dernière édition) ou le Code canadien des installations électriques, CSA C22.1. No. 0-M91 (dernière édition). Si les codes le permettent et si on utilise un conducteur distinct de liaison à la terre, il est recommandé qu'un électricien qualifié vérifie la qualité de la liaison à la terre. Pour obtenir un exemplaire des normes des codes ci-dessus, contacter:

National Fire Protection Association  
1 Batterymarch Park  
Quincy, MA 02169-7471  
CSA International  
8501 East Pleasant Valley Road  
Cleveland, Ohio 44131-5575

- Une alimentation de 120 volts, 60 Hz, CA seulement, de 15 ou 20 ampères, protégée par un fusible est requise. On recommande également d'utiliser un fusible ou un disjoncteur temporisé. Il est recommandé de raccorder la hotte sur un circuit distinct exclusif à cet appareil.
- Cette hotte est équipée d'un cordon d'alimentation électrique de liaison à la terre à trois broches.
- Pour minimiser les risques de choc électrique, on doit brancher le cordon sur une prise de courant de configuration correspondante, à 3 alvéoles, reliée à la terre et installée conformément aux codes et règlements locaux.
- Si une prise de courant de configuration correspondante n'est pas disponible, le client a la responsabilité et l'obligation de faire installer par un électricien qualifié une prise de courant correctement reliée à la terre.
- La prise à 3 broches reliée à la terre doit se trouver dans un placard situé au-dessus de la hotte, à une distance

minimale de 35.82 (91 cm) à partir du point duquel le cordon d'alimentation sort de la hotte. La prise à 3 broches reliée à la terre doit être accessible une fois la hotte installée. Voir l'illustration:



#### INSTRUCTIONS DE MISE À LA TERRE

- Pour une hotte reliée à la terre et connectée par un cordon:
- Cette hotte doit être reliée à la terre. Au cas où un court-circuit se produirait, la liaison à la terre réduit le risque de choc électrique, en permettant au courant de s'échapper directement vers la terre. La hotte est équipée d'un cordon comportant un conducteur de liaison à la terre avec fiche de liaison à la terre. La fiche doit être branchée dans une prise correctement installée et reliée à la terre.

**AVERTISSEMENT:** Une mise à la terre incorrecte peut entraîner un risque de choc électrique. Consulter un électricien qualifié si les instructions de mise à la terre ne sont pas complètement comprises, ou si vous avez des doutes quant à la qualité de la liaison à la terre de la hotte. Ne pas utiliser de câble de rallonge. Si le cordon d'alimentation électrique est trop court, faire installer une prise près de la hotte par un électricien qualifié.

**CONSERVEZ CES INSTRUCTIONS**

## Instructions d'installation

#### Préparation de l'emplacement

- BII est recommandé que l'installation du circuit d'évacuation soit réalisée avant celle de la hotte.
- Avant de procéder aux découpes, vérifier que les distances de séparation pour les raccords dans les cavités du plafond ou du mur sont adéquates.
- Avant de monter le placard au mur, il sera peut-être plus facile de découper au préalable l'ouverture dans le fond du placard.

- 1 Déconnecter la source de courant électrique.
- 2 Déterminer la méthode d'évacuation à utiliser: décharge à travers le mur ou le toit, ou recyclage.
- 3 Choisir une surface plane pour l'assemblage de la hotte. Placer le matériau de protection sur cette surface.

#### ⚠ AVERTISSEMENT

RISQUE DU POIDS EXCESSIF  
UTILISER DEUX OU PLUS DE PERSONNES POUR DÉPLACER ET INSTALLER LA HOTTE DE LA CUISINIÈRE.  
LE NON-RESPECT DE CETTE INSTRUCTION PEUT CAUSER UNE BLESSURE AU DOS OU D'AUTRE BLESSURE.

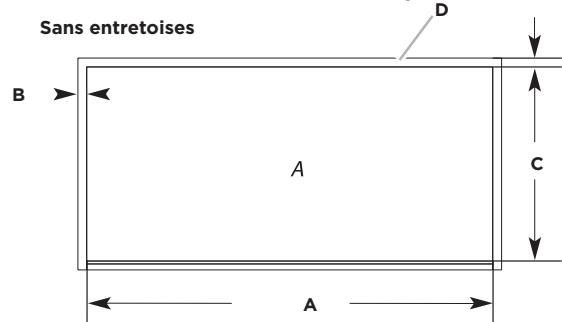
- 4 À l'aide de deux personnes ou plus, soulever la hotte et la poser sur la surface couverte.

#### Ouverture découpée du placard pour la hotte

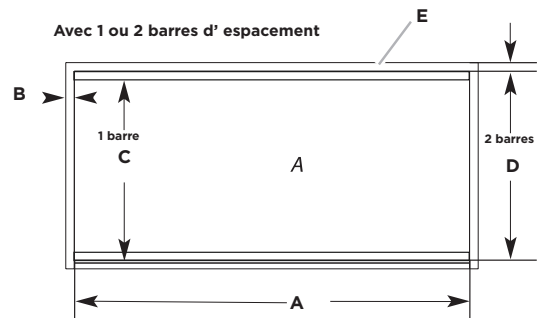
- 1 Utiliser une scie sauteuse ou scie à guichet pour découper une ouverture dans le fond du placard, à l'intérieur du cadre du placard.

**REMARQUE:** Pour les placards sans cadres, un rebord avant et arrière de 0.75" (1,9 cm) est nécessaire pour former un cadre dans le fond du placard. Une tringle d'appui de 0.75" (1,9 cm) d'épaisseur (non fournie) sera peut-être nécessaire pour certains types de placards).

#### Ouverture dimensions (sans barres d'espacement)



	Modèle	
	EPR628S2	EPR634S1
<b>A</b>	28.42" (72.2 cm)	34.29" (87.1 cm)
<b>B</b>	0.5" (1.27 cm)	0.5" (1.27 cm)
<b>C</b>	10.93" (27.8cm)	10.93" (27.8cm)
<b>D</b>	0.75" (1.9 cm)	0.75" (1.9 cm)



	Modèle	
	EPR628S2	EPR634S1
<b>A</b>	28.18" (72.2 cm)	34.29" (87.1 cm)
<b>B</b>	0.5" (1.27 cm)	0.5" (1.27 cm)
<b>C</b>	11.42" (29cm)	11.42" (29cm)
<b>D</b>	11.93" (30.3cm)	11.93" (30.3cm)
<b>E</b>	0.75" (1.9 cm)	0.75" (1.9 cm)

- 2 Terminer la préparation du placard conformément aux instructions correspondant au type d'évacuation du domicile. (Sortie arrière ou par le haut) Déterminer l'emplacement des ouvertures d'aération et découper les ouvertures dans les placards, les murs et/ou les soffites.

#### Décharge à l'extérieur, à travers le toit

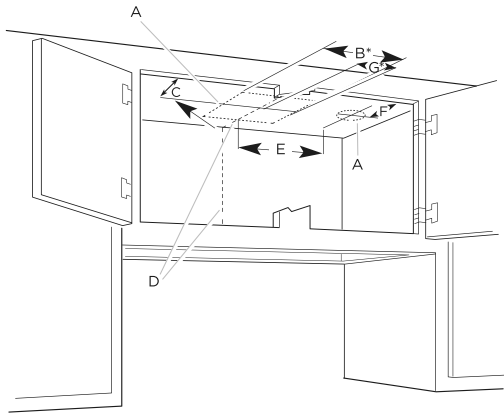
- 1 Relever les mesures appropriées et tracer les lignes indiquées sur l'illustration. Utiliser une scie sauteuse ou une scie à guichet pour découper une ouverture à travers le sommet du placard et le toit pour l'évacuation.

## Mesures appropriées

### Hauteur du placard Taille et forme du trou

**13.18" (33.5 cm)**  
 $\frac{6}{12}$   
**12" (30.5 cm)**

Une ouverture rectangulaire de 8.26" de largeur x 6.25" de profondeur (21 cm x 15,9 cm) dans le sommet du placard est obligatoire pour établir le dégagement nécessaire au clapet anti-reflux.

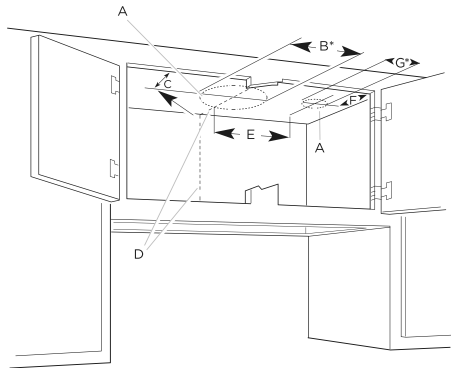


- A. Ouverture
- B. 8.26" (21 cm) x 6.25" (15,9 cm)\*
- C. 7.79" (20 cm) entre l'axe central et l'avant du placard
- D. Axe central
- E. 4.4" (10,6 cm)
- F. 3.26" (8.3 cm) entre axe et l'avant du placard
- G. Ø (4 cm)\*

### Hauteur du placard Taille et forme du trou

**15" (38,1 cm)**

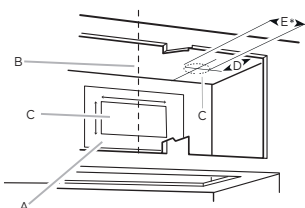
Une ouverture diamètre rond de 6.25" (15,9 cm) est obligatoire.



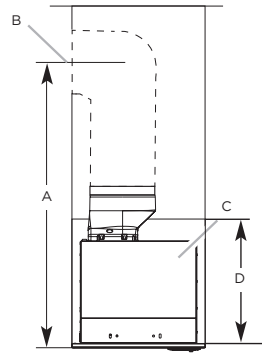
- A. Ouverture
- B. Ø 6¼" (15,9 cm)\*
- C. 7<sup>5</sup>/<sub>64</sub>" (19,8 cm) ntre l'axe central et l'avant du placard
- D. Axe central
- E. 4<sup>7</sup>/<sub>64</sub>" (10,6 cm)
- F. 3<sup>1</sup>/<sub>64</sub>" (8,3 cm) entre axe et l'avant du placard
- G. Ø (4 cm)\*

### Ventilation extérieure à travers le mur

- Placer le gabarit de la découpe sur le mur et percer les trous pour l'installation de la transition à l'intérieur de l'armoire. Aligner la base de l'armoire avec la ligne marquée sur le gabarit.

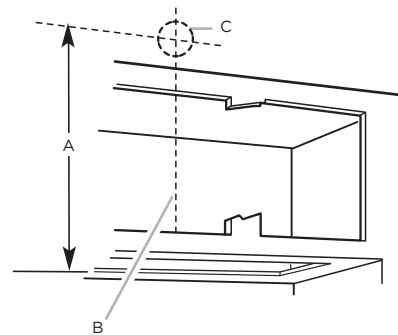


- A. Modèle
- B. Ligne centrale
- C. Découpe
- D. 3<sup>17</sup>/<sub>64</sub>" (8,3 cm) du centre à l'avant de l'armoire
- E. Ø (4 cm)\*



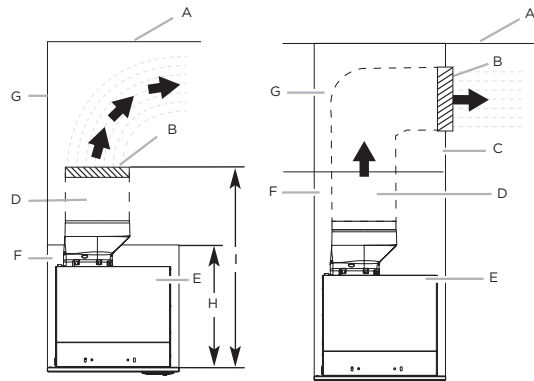
- A. Mesure A
- B. Axe central horizontal de l'ouverture d'évacuation
- C. Caisse de la hotte
- D. Hauteur minimum de 12" (30,5 cm)

- Retirer le conduit d'évacuation de la caisse de la hotte. Reporter la dimension A sur la paroi arrière du placard. Prendre les mesures à partir de la face inférieure du placard.
- Marquer le périmètre de l'ouverture à découper - voir l'illustration. Utiliser une scie sauteuse ou une scie à guichet pour découper une ouverture circulaire à travers l'arrière du placard et le mur extérieur pour l'évacuation.



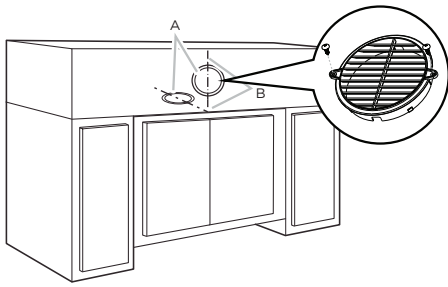
- A. Mesure A
- B. Axe central
- C. Ouverture découpée circulaire de 6.25" (15,9 cm)

### Installation sans décharge à l'extérieur (recyclage) à travers le soffite/placard Installation sans décharge à l'extérieur (recyclage) à travers le soffite/placard



- A. Plafond
- B. Cache-conduit
- C. Soffite
- D. Event de 6" (15,2 cm)
- E. Hotte de cuisinière
- F. Placard
- G. Mur
- H. Hauteur du placard de 12" (30,5 cm)
- I. Hauteur de cache-conduit de 17" (43,2 cm)

- Relever les mesures appropriées et tracer l'axe central d placard jusqu'au soffite situé au-dessus.
- Mesurer la distance entre le bas du placard et l'axe central, au point où le conduit d'évacuation ressort du soffite. Indiquer l'emplacement et utiliser une scie sauteuse ou scie à guichet pour découper un trou de 5.75" (14,6 cm) pour lecache-conduit.



**\*REMARQUE:** Pour les placards d'une hauteur de 12" (30,5 cm), une ouverture rectangulaire de 6.25" de profondeur x 8" de largeur (14,6 cm x 20,3 cm) dans le sommet du placard est obligatoire pour établir le dégagement nécessaire au raccord de transition du clapet anti-reflux.

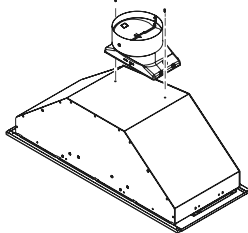
Relever les mesures appropriées et tracer l'axe central de l'ouverture, dans le sommet du placard.

## Installation de la hotte (Sortie par le haut)

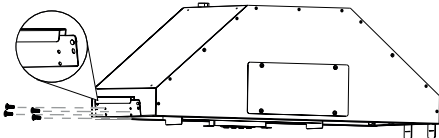
### ⚠ AVERTISSEMENT

RISQUE DU POIDS EXCESSIF  
UTILISER DEUX OU PLUS DE PERSONNES POUR DÉPLACER  
ET INSTALLER LA HOTTE DE LA CUISINIÈRE.  
LE NON-RESPECT DE CETTE INSTRUCTION PEUT CAUSER  
UNE BLESSURE AU DOS OU D'AUTRE BLESSURE.

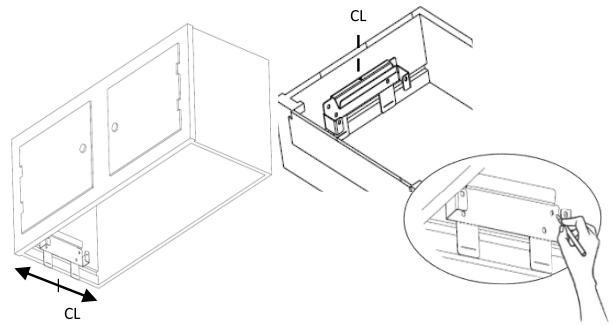
- 1 Installez la transition d'air de 15,2 cm (6") sur le dessus du revêtement de la hotte à l'aide de deux vis à tête cylindrique de 3,5 x 9,5 mm (3,5 x 9,5 mm). Montez le conduit d'évacuation que vous utiliserez sur la transition d'air de 15,2 cm (6"). Utilisez un produit de calfeutrage pour sceller l'ouverture du mur extérieur ou du plafond.



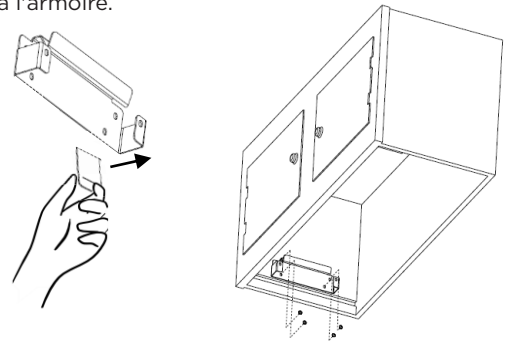
- 2 Placez la hotte face vers le haut sur une surface couverte. Installez les supports de montage de la hotte à l'aide de deux vis de 3,5x9,5 mm et de deux vis de 4,2x8 mm de chaque côté.  
REMARQUE : La bride du support doit être orientée vers le bas de la hotte.



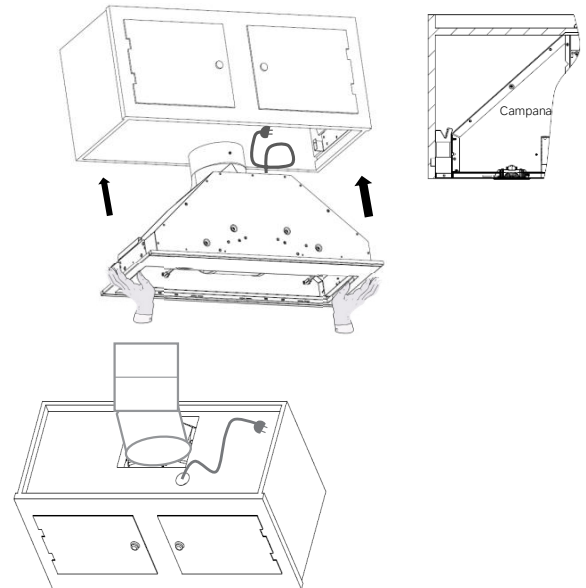
- 3 Centrez les supports sur la largeur du meuble, en utilisant la marque centrale sur la pièce et en alignant l'excédent sur la base du meuble. Marquer les trous dans le meuble et percer.



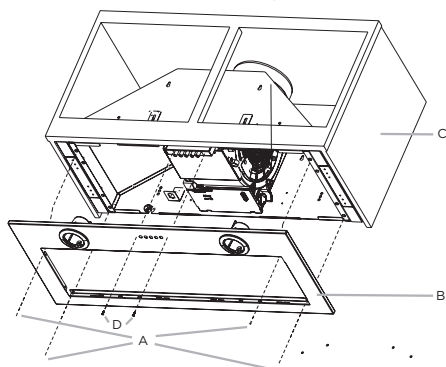
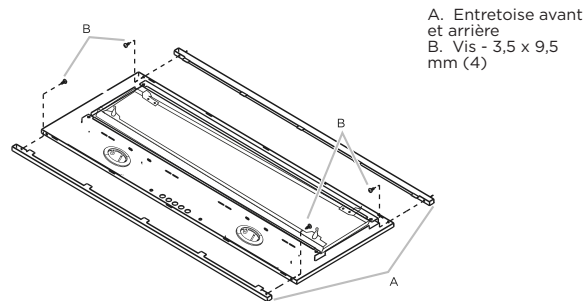
- 4 Retirez l'excédent de chaque support et fixez-les avec quatre vis de 4,2 x 19 mm et quatre rondelles de 6,4 x 18 mm à l'armoire.



- 5 Insérez ensuite avec précaution la cloche dans l'armoire jusqu'à ce que vous entendiez un clic (un côté doit être inséré d'abord, puis l'autre).  
REMARQUE : Faites passer le cordon d'alimentation par l'ouverture pratiquée dans l'armoire avant de relever complètement la hotte.



- 6 Retirer les filtres à graisse et fixer le panneau inférieur à la hotte  
REMARQUE : Si la profondeur de l'armoire est supérieure à 12«, il est recommandé d'installer deux entretoises métalliques de 0,5 ». Installez-les à l'avant et à l'arrière du panneau avec des vis 4 x 3,5 x 9,5 comme indiqué sur le dessin.

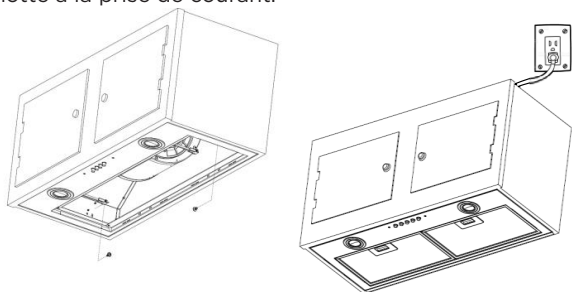


#### Cabinet 28.5"

#### Cabinet 34.5"

<b>A</b>	4 vis à tête plate- 3,5 x 9,5 mm	4 vis à tête plate- 3,5 x 9,5 mm
<b>B</b>	Plaque avant (28.5" x 12" [72.39 cm x 30.5 cm] shown)	Plaque frontale (34 1/2" x 12" [87,6 cm x 30,5 cm] illustrée)
<b>C</b>	Placard (28.5" x 12" [72.39 cm x 30.5 cm] shown)	Cabinet (34 1/2" x 12" [87,6 cm x 30,5 cm] illustré)
<b>D</b>	2 vis à tête bombée - 4,2 x 15 mm	2 vis à tête bombée - 4,2 x 15 mm

- 7 Pour fixer la hotte, placez deux vis à l'intérieur, une par côté, et remplacez les filtres à graisse. Enfin, raccordez la hotte à la prise de courant.

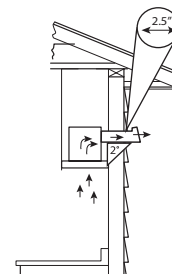


## Installation du hotte (Sortie arrière)

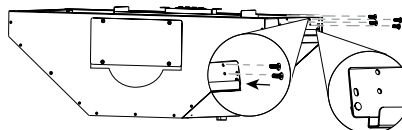
### ⚠ AVERTISSEMENT

RISQUE DU POIDS EXCESSIF  
UTILISER DEUX OU PLUS DE PERSONNES POUR DÉPLACER ET INSTALLER LA HOTTE DE LA CUISINIÈRE.  
LE NON-RESPECT DE CETTE INSTRUCTION PEUT CAUSER UNE BLESSURE AU DOS OU D'AUTRE BLESSURE.

REMARQUE : Pour les conduits arrière horizontaux, il doit y avoir un espace minimum de 2 1/2 » entre l'arrière de l'insert de la hotte et le mur.



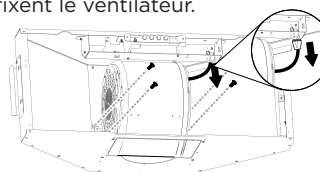
- 8 Placer la hotte face vers le haut sur une surface couverte. Installez les supports de fixation de la hotte avec 2 vis de 3,5x9,5 mm et 2 vis de 4,2x8 mm de chaque côté.  
REMARQUE : La bride du support doit être orientée vers le bas de la hotte.



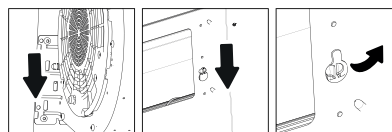
- 9 Retirez le couvercle arrière en enlevant les quatre (4) vis



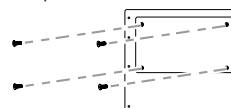
- 10 Débranchez le cordon d'alimentation et retirez les quatre (4) vis qui fixent le ventilateur.



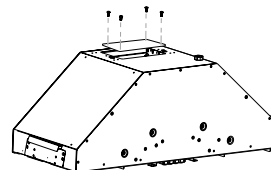
- 11 Faites pivoter le ventilateur de 90 degrés pour le dégager des trous de l'œillet afin que la sortie soit positionnée au-dessus de l'ouverture de la sortie arrière.



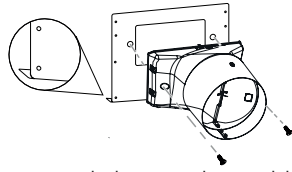
- 12 Retirez le couvercle de la prise à partir du couvercle que vous avez enlevé précédemment.



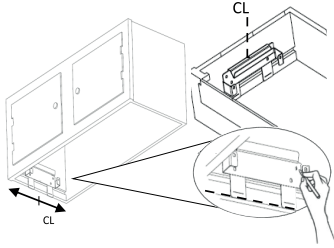
- 13 Installez le couvercle de la sortie et les (4) vis retirées à l'étape 2 sur la sortie supérieure, comme indiqué sur le dessin.



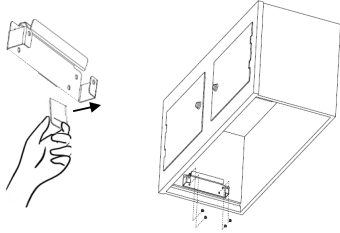
- 14 Installer la transition ronde de 6 » sur le couvercle arrière avec deux (2) vis de 3,5 x 9,5 mm.  
REMARQUE : Le côté plat de la transition doit être orienté vers la section étroite de la hotte et le côté opposé de la transition doit être orienté vers la section large de la hotte. \*Note : Laisser la transition de côté jusqu'à l'étape 11.



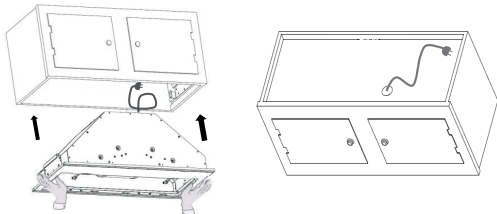
- 15** Centrez les supports sur la largeur du meuble, en utilisant la marque centrale sur la pièce et en alignant l'excédent sur la base du meuble. Marquez les trous dans le meuble et percez.



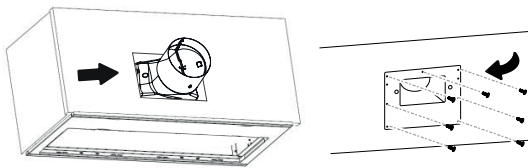
- 16** Retirez les rabats métalliques excédentaires de chaque support en les poussant d'avant en arrière jusqu'à ce qu'ils se séparent. Fixez chaque support à l'aide de quatre (4) vis de 2 x 19 mm et de quatre (4) rondelles de 4 x 18 mm à l'armoire.



- 17** Insérez soigneusement la hotte dans l'armoire jusqu'à ce que vous entendiez un déclic (un côté doit être inséré en premier, puis l'autre).  
REMARQUE : Faites passer le cordon d'alimentation par l'ouverture pratiquée dans l'armoire avant d'insérer l'auvent et le corps de la hotte dans l'armoire.

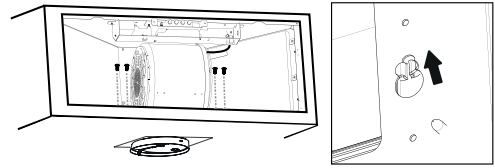


- 18** Faites passer la transition de l'intérieur de la hotte jusqu'à la découpe de la sortie d'air arrière et vissez de l'intérieur avec (7) vis de 4,2 x 8 mm.

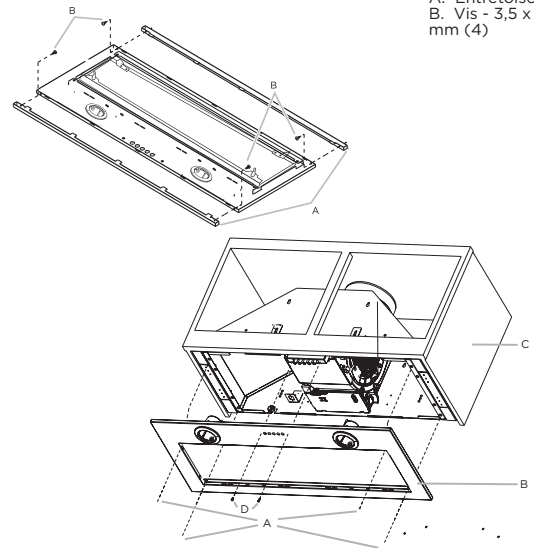


- 19** Placer le moteur avec le côté le plus plat vers le bas et face à la sortie d'air vers l'arrière, assembler les trous de l'œillet pour le maintenir. Visser ensuite le moteur depuis l'intérieur de la hotte avec les 4 vis initialement fixées.

\*REMARQUE : le dessin n'est qu'une référence pour l'installation du moteur, la transition n'est pas orientée vers le bas.



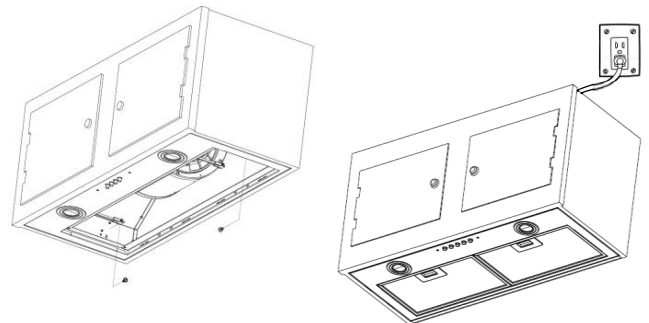
- 20** Rebranchez le cordon d'alimentation du moteur à la hotte.  
**21** Retirez les filtres à graisse du panneau inférieur et fixez-le à la hotte à l'aide de 6 vis.  
REMARQUE : Si la profondeur de l'armoire est supérieure à 12« , il est recommandé d'installer deux entretoises métalliques de 0,5 « .  
Installez-les à l'avant et à l'arrière du panneau avec 4 vis de 3,5 x 9,5 comme indiqué sur le schéma.



A. Entretoises  
B. Vis - 3,5 x 9,5 mm (4)

	Armoire 28.5"	Armoire 34.5"
<b>A</b>	Vis - tête plate 3,5 x 9,5 mm (4)	Vis - tête plate 3,5 x 9,5 mm (4)
<b>B</b>	Plaque frontale (illustrée 28,5« x 12 » [72,39 cm x 30,5 cm])	Plaque frontale (illustrée 34 1/2« x 12 » [87,6 cm x 30,5 cm])
<b>C</b>	Armoire (illustrée 28,5« x 12 » [72,39 cm x 30,5 cm])	Armoire (illustrée 34 1/2« x 12 » [87,6 cm x 30,5 cm])
<b>D</b>	Screws - 4.2 x 15 mm truss Vis - 4,2 x 15 mm à tête bombée (2)	

- 22** Pour fixer la hotte, placez intérieurement deux vis, une par côté, et remplacez les filtres à graisse. Enfin, raccordez la hotte à la prise électrique.



## Raccordement du circuit d'évacuation

### Installations avec décharge à l'extérieur

- 1 Connecter le circuit d'évacuation sur l'ouverture de décharge de la hotte. Serrer le point de connexion avec des brides.

### Installation sans décharge à l'extérieur (recyclage)

- 1 Connecter le circuit d'évacuation sur l'ouverture de décharge de la hotte. Serrer le point de connexion avec des brides.
- 2 Installer le cache-conduit. Installer les filtres à charbon. Voir la section "Accessoires".

## Achever l'installation

- 1 Réinstaller les filtres à graisse. Voir la section "Entretien".

**⚠ AVERTISSEMENT**  
RISQUE DE CHOC ÉLECTRIQUE.

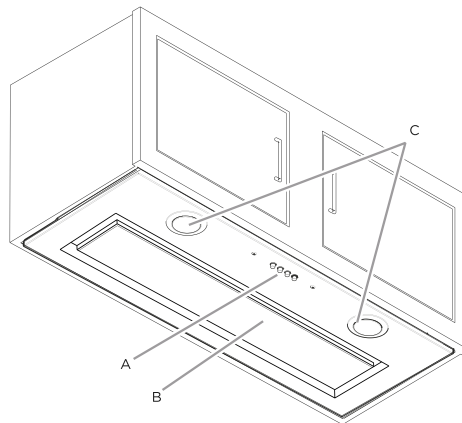
**⚠ AVERTISSEMENT**  
BRANCHER SUR UNE PRISE À 3 ALVÉOLES RELIÉE À LA TERRE.  
NE PAS ENLEVER LA BROCHE DE LIAISON À LA TERRE.  
NE PAS UTILISER UN ADAPTATEUR.  
NE PAS UTILISER UN CÂBLE DE RALLONGE.  
LE NON-RESPECT DE CES INSTRUCTIONS PEUT CAUSER UN DÉCÈS, UN INCENDIE OU UN CHOC ÉLECTRIQUE.

- 2 Brancher le cordon d'alimentation à 3 broches dans la prise à 3 alvéoles reliée à la terre située dans le placard qui se trouve au-dessus de la hotte.
- 3 Contrôler le fonctionnement du ventilateur de la hotte et de la lampe. Voir la section "Utilisation de la hotte".  
Si la hotte ne fonctionne pas, déterminer si un disjoncteur s'est ouvert ou si un fusible du domicile est grillé.  
Déconnecter la source de courant électrique et inspecter les connexions du câblage.

**REMARQUE:** Pour pouvoir tirer le plus grand parti de la nouvelle hotte de cuisinière, lire la section "Description de la hotte".

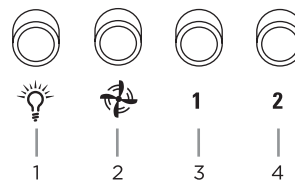
## Description de la hotte

La hotte de cuisinière est conçue pour extraire fumée, vapeurs de cuisson et odeurs de la zone de la table de cuisson. Pour obtenir les meilleurs résultats, mettre le ventilateur de la hotte en marche avant d'entreprendre une cuisson, et la laisser fonctionner pendant plusieurs minutes après l'achèvement d'une cuisson pour pouvoir évacuer de la cuisine toute trace d'odeur de cuisson, vapeur ou fumée.  
Les commandes de la hotte sont situées sur l'avant-centre de la caisse de hotte.



A. Commandes du ventilateur et de la lumière  
B. Plaque frontale  
C. Lampes LED

### Commandes



- 1 Bouton d'clairage On/Off (marche/arrêt)
- 2 Bouton de vitesse minimale et d'arrêt du ventilateur
- 3 Bouton de vitesse moyenne du ventilateur
- 4 Bouton de vitesse maximale du ventilateur

### Utilisation de la lampe

Le bouton d'éclairage On/Off permet de contrôler toutes les lumières.

Appuyez une fois pour allumer et deux fois pour éteindre.

### Utilisation du ventilateur

Les boutons BLOWER SPEED (vitesse du ventilateur) activent le ventilateur et contrôlent sa vitesse et son niveau sonore pour un fonctionnement silencieux.

La vitesse peut être modifiée à tout moment pendant le fonctionnement du ventilateur en appuyant sur le bouton de vitesse du ventilateur souhaité.

Appuyez deux fois sur le bouton BLOWER OFF pour éteindre le ventilateur.



## Entretien

### Nettoyant

Ne pas vaporiser de nettoyants directement sur le panneau de contrôle lors du nettoyage de la Hotte. La hotte doit être régulièrement nettoyée à l'intérieur et à l'extérieur (au moins à la même fréquence que pour l'entretien des filtres à graisse). Pour le nettoyage, utiliser un chiffon humidifié avec un détergent liquide neutre. Ne pas utiliser de produit contenant des abrasifs. **NE PAS UTILISER D'ALCOOL!**

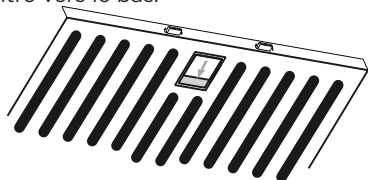
### ⚠ ATTENTION

Il y a risque d'incendie si vous ne respectez pas les instructions concernant le nettoyage de l'appareil et le remplacement ou le nettoyage du filtre.

La responsabilité du constructeur ne peut en aucun cas être engagée dans le cas d'un endommagement du moteur ou d'incendie liés à un entretien négligé ou au non respect des consignes de sécurité précédemment mentionnées.

### Filtre à graisse métallique

- 1 Retirer le filtre en tirant sur la poignée à ressort, puis en tirant le filtre vers le bas.



- 2 Laver le filtre métallique selon le besoin au lave-vaisselle ou avec une solution de détergent chaude.
- 3 Réinstaller le filtre en s'assurant que les poignées à ressort sont orientées vers l'avant. Insérer le filtre à graisse métallique dans la rainure supérieure.
- 4 Tirer sur la poignée à ressort.
- 5 Pousser le filtre métallique vers le haut et relâcher la poignée pour l'emboîter.

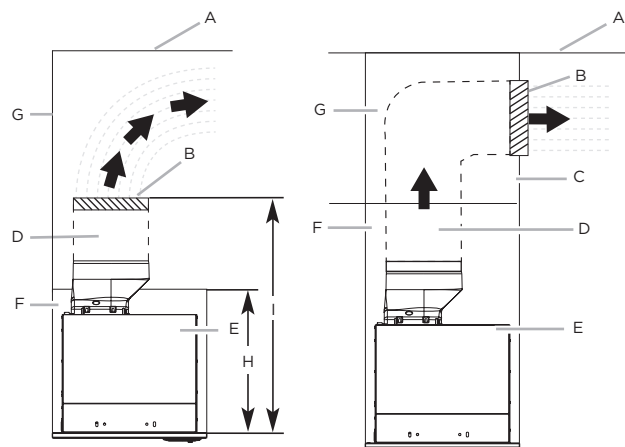
### Remplacement de la lampe à DEL

Les lumières DEL sont remplaçables par un technicien de service seulement. Voir les informations de contact de service: "Qui contacter".

## Accessories

**REMARQUE:** Lorsque vous le retirerez pour le remplacer par un autre, n'enlever pas les ressorts de fixation, poussez-les simplement et faites-les tourner vers l'extérieur.

S'il n'est pas possible d'évacuer les fumées et vapeurs de cuisson à l'extérieur, on peut employer la version installation sans décharge à l'extérieur (recyclage) de la hotte, dotée de deux filtres à charbon et du déflecteur (non inclus). Les vapeurs/fumées sont alors recyclées à travers la grille rond.

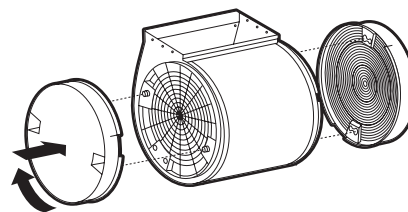


A. Plafond  
B. Cache-conduit  
C. Soffite  
D. Évent de 6" (15,2 cm)  
E. Hotte de cuisinière

A. Placard  
B. Mur  
C. Hauteur du placard de 12" (30,5 cm)  
D. Hauteur de cache-conduit de 17" (43,2 cm)

**REMARQUE:** Pour des placards de 12" (30,5 cm) de hauteur qui ne comportent pas de soffite, le conduit et le cache-conduit de 6" (15,2 cm) peuvent rester visibles.

- 1 Posez le filtre à charbon comme couverture de la grille qui protège le moteur aspirant de manière que les fentes présentes sur le filtre correspondent aux pivots sur les côtés de la grille protège-moteur.
  - 2 Tournez le filtre à charbon dans le sens des aiguilles d'une montre pour le bloquer (fixation à baïonnette).
- - Les filtres à charbon ne peuvent pas être nettoyés. Il doit être remplacé tous les 4-6 mois (selon l'utilisation de la hotte).
  - Enlever les attaches de câble dans le filtre de carbone pour pouvoir le tourner dans le sens des aiguilles d'une montre.



### Couverture de la hotte -Non inclus

- Couverture de la hotte offre une protection complète des placards de 36" de largeur x 17" ou 20" de profondeur.

Reportez-vous aux instructions d'installation de la couverture pour plus de détails.

Pour protéger l'armoire, une extension du couvercle de 30 et 36 pouces de large est disponible.

## **POUR OBTENIR UN DEPANNAGE SOUS GARANTIE**

Le propriétaire doit présenter une preuve de la date d'achat. Garder une copie de votre preuve d'achat datée (ticket de caisse) de façon à pouvoir bénéficier du service après-vente sous garantie.

## **GARANTIE PIÈCES DE RECHANGE ET MAIN D'OEUVRE**

Pendant une période de deux (2) ans à partir de la date d'achat, Elica s'engage à fournir gratuitement les pièces de rechange ou les composants autres que les recharges ayant des défauts de fabrication.

Durant cette garantie de deux (2) ans, Elica fournira également gratuitement, toute la main d'oeuvre et le service à domicile pour remplacer d'éventuelles pièces défectueuses.

## **CE QUE LA GARANTIE NE COUVRE PAS**

- Dégât ou panne du produit causé par un accident ou un cas de force majeure tels que inondation, incendie ou tremblement de terre.
- Dégât ou panne du produit causé par modification du produit ou utilisation de pièces pas d'origine.
- Dégât ou panne du produit causé lors de la livraison, de la manipulation ou de l'installation.
- Dégât ou panne du produit causé par une mauvaise utilisation.
- Dégât ou panne du produit causé par un remplacement des fusibles ou une remise en fonction des disjoncteurs par le propriétaire.
- Dégât ou panne du produit causé par une utilisation du produit pour raison commerciale.
- Déplacement à domicile pour explication d'utilisation ou d'entretien.
- Ampoules, filtres métalliques ou au charbon et toute autre pièce consommable.
- Usure normale.
- Usure due à une mauvaise utilisation du propriétaire, un entretien incorrect, une utilisation de substances nettoyantes corrosives ou abrasives et produits de nettoyage pour four.

## **QUI EST COUVERT**

Cette garantie s'étend à l'acheteur original de produits achetés pour un usage domestique habituel en Amérique du Nord (Y compris Etats Unis, Guam, Porto Rico, les Iles virgins Américaines & le Canada).

Cette garantie n'est pas transférable et vaut uniquement pour l'acheteur original et ne s'étend pas aux propriétaires successifs du produit. Cette garantie vaut expressément en lieu et place de toute autre garantie, expresse ou sous-entendue, mais ne limite pas toute autre garantie sous-entendue de marchandage ou adaptation dans un but particulier et toute autre obligation de la part de Elica North America, étant entendu, cependant, que si la réclamation pour garanties sous-entendues n'est pas applicable aux yeux de la loi en vigueur, la durée de toute garantie sous-entendue émanant de la loi doit être limitée à deux (2) ans à partir de la date d'achat du produit ou à une période plus longue selon ce que dit la loi en vigueur.

Cette garantie ne couvre pas tout dégât particulier, accidentel et/ou consécutif, ni les pertes et profits, à charge du propriétaire, des ses clients et/ou des utilisateurs Des produits.

## **QUI CONTACTER**

Pour obtenir un Service Après-vente durant la Garantie ou pour toute autre Question liée au Service Après-vente:

Appeler:

- Service Après-vente autorisé Elica North America au (888) 732-8018
- Pour l'Est du Canada, composez le 1-888 915 8888. *Demandez le service après-vente*

**Contenido**

Aviso de seguridad importante ..... 27

Lista de materiales ..... 29

    Piezas suministradas ..... 29

    Piezas no suministradas ..... 29

Dimensiones de producto ..... 30

Requisitos de ventilación ..... 30

Tipos de ductos y ejemplos ..... 31

Salida de escape.....31

Sin ducto de escape (recirculante).....31

Requisitos eléctricos .....32

Instrucciones de instalación ..... 32

Instalación de la Campana.....35

Conecte el sistema de ventilación .....36

    Complete la instalación ..... 36

Descripción de la campana .....37

Control ..... 37

Mantenimiento.....37

Accesorios .....38

Garantía ..... 39

**APROBADO PARA APARATOS DE USO DOMÉSTICO  
SÓLO PARA USO DOMÉSTICO  
LEA Y GUARDE ESTAS INSTRUCCIONES**

**ANTES DE CONTINUAR, LEA LAS INSTRUCCIONES POR COMPLETO.  
LA INSTALACIÓN DEBE CUMPLIR TODA LA NORMATIVA LOCAL.**

**IMPORTANTE:** Guarde estas instrucciones para su uso por parte del inspector de electricidad local.

**INSTALADOR:** Entregue al propietario estas instrucciones junto con la unidad.

**PROPIETARIO:** Conserve estas instrucciones para futuras consultas.

**Advertencia de seguridad:** Antes de realizar el cableado de este aparato, desactive el circuito de energía eléctrica en el panel de servicio y desbloquee el panel.

**Requisito:** Circuito auxiliar de 120 V~, 60 Hz. 15 ó 20 A.

CAMPANA PURIFICADORA  
 Marca: ELICA  
 Modelos: EPR628S2, EPR634S1  
 Contenido: 1 pza  
 Hecho en México  
 Fabricado por: ELICAMEX S.A. de C.V.  
 Dirección: Av. La Noria (Prolongación) #102  
 Col. Ampliación Parque Industrial Querétaro,  
 Santa Rosa Jáuregui, C.P. 76215 Querétaro.  
 R.F.C. EII060102RK8



## ⚠ Aviso de Seguridad Importante

ELECTRODOMÉSTICO DISEÑADO EXCLUSIVAMENTE PARA SU USO EN INTERIORES.

**⚠PRECAUCIÓN:** SÓLO PARA USO GENERAL DE VENTILACIÓN. NO UTILIZAR PARA EVACUAR MATERIALES Y VAPORES PELIGROSOS O EXPLOSIVOS.

**⚠ADVERTENCIA:** PARA REDUCIR EL RIESGO DE INCENDIO, DESCARGA ELÉCTRICA O LESIONES A LAS PERSONAS, OBSERVE LO SIGUIENTE:

**a)** Utilice esta unidad sólo de la manera indicada por el fabricante. Si tiene alguna duda, póngase en contacto con el fabricante.

**b)** Antes de reparar o limpiar la unidad, desconecte la alimentación en el panel de servicio y bloquee los medios de desconexión del servicio para evitar que la alimentación se conecte accidentalmente. Si no es posible bloquear los medios de desconexión del servicio, fije firmemente un dispositivo de advertencia visible, como una etiqueta, al panel de servicio.

**⚠ADVERTENCIA:** PARA REDUCIR EL RIESGO DE INCENDIO, DESCARGA ELÉCTRICA O LESIONES PERSONALES, OBSERVE LO SIGUIENTE:

**a)** Los trabajos de instalación y el cableado eléctrico deben ser realizados por personal(es) cualificado(s) de acuerdo con todos los códigos y normas aplicables, incluida la construcción resistente al fuego.

**b)** Se necesita aire suficiente para que la combustión y la evacuación de gases a través del conducto de humos (chimenea) de los equipos de combustión de combustible sean correctas, a fin de evitar corrientes de retorno. Siga las directrices del fabricante del equipo de calefacción y las normas de seguridad, como las publicadas por la National Fire Protection Association (NFPA) y la American Society for Heating, Refrigeration and Air Conditioning Engineers (ASHRAE), y las autoridades locales competentes.

**c)** Al cortar o perforar la pared o el techo, no dañe el cableado eléctrico ni otros servicios ocultos.

**d)** Los ventiladores con conductos deben ventilarse siempre al exterior. **NOTA:** Sólo para versión Aspirante.

**⚠PRECAUCIÓN:** Para reducir el riesgo de incendio y evacuar correctamente el aire, asegúrese de canalizar el aire hacia el exterior; no ventile el aire de salida en espacios dentro de paredes o techos, áticos o en espacios de arrastre, o garajes.

**⚠ADVERTENCIA:** PARA REDUCIR EL RIESGO DE INCENDIO O DESCARGA ELÉCTRICA, NO UTILICE ESTE VENTILADOR CON NINGÚN DISPOSITIVO DE CONTROL DE VELOCIDAD DE ESTADO SÓLIDO.

**⚠ADVERTENCIA:** PARA REDUCIR EL RIESGO DE INCENDIO, UTILICE ÚNICAMENTE CONDUCTOS METÁLICOS.

**NOTA:** Antes de cualquier operación de limpieza o mantenimiento, desconecte la campana de la red eléctrica retirando el enchufe o desconectando la alimentación eléctrica.

**⚠ADVERTENCIA:** PARA REDUCIR EL RIESGO DE INCENDIO POR GRASA EN LA ENCIMERA:

**a)** No deje nunca desatendidas las unidades de superficie a fuego alto. Los hervores provocan humos y salpicaduras de grasa que pueden inflamarse. Caliente los aceites lentamente a temperatura baja o media. valores de fuego altos. La cocción puede causar humo o reboses de grasa que pueden prender fuego. Caliente el aceite a fuego lento o medio.

**b)** Encienda siempre la campana cuando cocine a fuego alto. No flamear alimentos bajo la campana de cocina.

**c)** Limpie los ventiladores con frecuencia (al menos cada 2 meses). No permita que se acumule grasa en el ventilador o en el filtro.

**d)** Utilice ollas de tamaño adecuado. Utilice siempre utensilios de cocina apropiados para el tamaño del elemento de superficie.

**NOTA:** Utilice siempre guantes de trabajo para todas las operaciones de instalación y mantenimiento.

**⚠ADVERTENCIA:** PARA REDUCIR EL RIESGO DE INCENDIO Y DESCARGA ELÉCTRICA, INSTALE ESTA CAMPANA SÓLO CON MODELOS DE SOPLADOR REMOTO CON LA CLASIFICACIÓN MÁXIMA (corriente y/o caballos de fuerza) O SOPLADORES INTEGRALES FABRICADOS POR (nombre del fabricante), modelo(s) (nombre del aparato).

**NOTA:** La clasificación máxima recomendada del soplador remoto.  
-Consulte la tabla de valores nominales en esta sección del manual-

**⚠ ADVERTENCIA:** PARA REDUCIR EL RIESGO DE LESIONES A LAS PERSONAS EN CASO DE INCENDIO DE GRASA EN LA PARTE SUPERIOR DE LA GAMA, OBSERVE LO SIGUIENTE: <sup>a</sup>

**a)** APAGUE LAS LLAMAS con una tapa hermética, una bandeja para galletas o una bandeja metálica y, a continuación, apague el quemador. TENGA CUIDADO PARA EVITAR QUEMADURAS. Si las llamas no se apagan inmediatamente, EVACÚE Y LLAME AL DEPARTAMENTO DE BOMBEROS.

**b)** NUNCA RECOJA UNA SARTÉN EN LLAMAS - Puede quemarse.

**c)** NO UTILICE AGUA, ni paños de cocina o toallas mojados - se producirá una violenta explosión de vapor.

**d)** Utilice un extintor SÓLO si:

- Tiene un extintor de clase ABC y sabe cómo utilizarlo.
- El fuego es pequeño y está contenido en la zona donde se inició.
- Se está llamando a los bomberos.
- Puede combatir el fuego de espaldas a una salida.

<sup>a</sup>Basado en "Kitchen Fire Safety Tips" publicado por la NFPA

**NOTA:** Este aparato no está diseñado para ser utilizado por personas (incluidos niños) con capacidades físicas, sensoriales o mentales reducidas, o con falta de experiencia y conocimientos, a menos que hayan recibido supervisión o instrucciones sobre el uso del aparato por parte de una persona responsable de su seguridad.

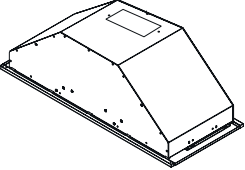
**NOTA:** Los niños deben ser supervisados para asegurarse de que no juegan con el aparato.

# Lista de Materiales

Remoción de la confección

## ⚠ PRECAUCIÓN

Quite la caja cuidadosamente, use guantes para protegerse contra los bordes afilados.

Piezas suministradas	Piezas
	1
4.2 x 8 mm	4
4.5x13 mm	8
3.5x9.5 mm tornillos de cabeza redonda	4
4.2x15 mm	2
3.5x9.5 mm tornillos de cabeza plana	6
4.2x19 mm	8
Adaptador Torx #10	1

### Piezas no suministradas

#### Herramientas/Materiales necesarios

- Nivel
- Taladro
- Broca de 0.12" (3.0 mm)
- Lápiz
- Pinzas
- Cinta de medir o regla
- Pistola para calafateo y masilla impermeable
- Destornillador plano y destornillador Phillips
- Sierra de vaivén o sierra caladora
- Abrazaderas para ducto
- Tijeras de hojalatero

#### Partes necesarias

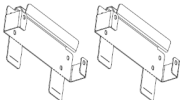


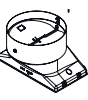


- Ducto metálico de ventilación de 6" (15.2 cm)

#### Accesorios opcionales

KIT	# Pieza	
	<b>28.5" (72.39 cm)</b>	
<b>Kit Recirculante</b>	KIT02770	
<b>Kit de Extensión</b>	Hasta 30" de ancho KIT02773	Hasta 36" de ancho KIT02774

## ⚠ ADVERTENCIA

Quite la película de protección que cubre el producto antes de ponerlo en funcionamiento.

Piezas suministradas	Piezas
	2
	2
	2
	1
	8
	8

#### Requisitos de ubicación:

**IMPORTANTE:** Observe todos los códigos y ordenanzas aplicables. Haga que un técnico calificado instale la campana para cocina. Es la responsabilidad del instalador cumplir con los espacios de instalación especificados en la placa con la clasificación de modelo/serie. La placa con clasificación de modelo/serie está ubicada dentro del revestimiento, detrás del filtro, en la pared izquierda de la campana para cocina.

La ubicación de la campana para cocina deberá estar lejos de zonas con corrientes fuertes de aire, tales como ventanas, puertas u orificios de calefacción con un flujo intenso.

Deben usarse las dimensiones de la abertura del armario que se muestran. Las dimensiones proporcionadas proveen los espacios mínimos. Consulte las instrucciones de instalación del fabricante de la superficie de cocción/estufa antes de hacer cualquier corte.

Se requiere un enchufe eléctrico con conexión a tierra.

Consulte la sección "Requisitos eléctricos".

La campana para cocina se ha ajustado de fábrica para las instalaciones con ventilación a través del techo o de la pared. Para ver la instalación sin ducto de escape (con recirculación), consulte "Instalación sin ducto de escape (con recirculación) a través del sofito/armario" en la sección "Preparación de la ubicación". Se deben sellar todas las aberturas en el techo y la pared en donde se va a instalar la campana para cocina.

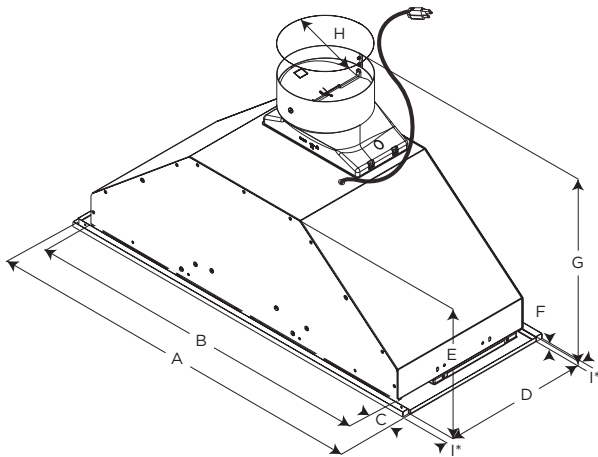
#### Para la instalación en casas rodantes:

Estándar de seguridad y construcción de casas fabricadas, Título 24 CFR, Parte 328 (anteriormente conocido como Federal Standard for Mobile Home Construction and Safety [Estándar federal para la seguridad y construcción de casas rodantes], Título 24, HUD Parte 280), o cuando dicho estándar no sea aplicable, el estándar Manufactured Home Installation (Instalación en casas fabricadas) de 1982 (Manufactured Home Sites, Communities and Setups [Obras, comunidades e instalaciones de casas fabricadas]), ANSI A225.1/NFPA.

\*©TORX es una marca registrada de Saturn Fasteners, Inc.

## Dimensiones de producto

### Dimensiones del producto

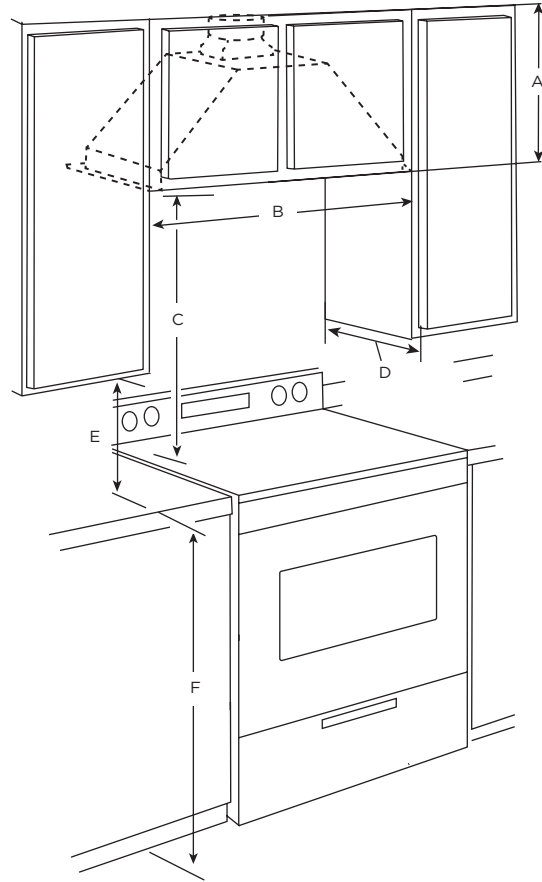


I\* - Espaciadores metálicos  
Los espaciadores deben ser instalados cuando la profundidad del gabinete es mayor a 12".

	Modelo	
	EPR628S2	EPR634S1
<b>A</b>	28 $\frac{1}{4}$ " (71.8 cm)	34 $\frac{3}{16}$ " (86.7 cm)
<b>B</b>	26" (66 cm)	26" (66 cm)
<b>C</b>	1 $\frac{1}{8}$ " (2.9 cm)	4 $\frac{1}{16}$ " (10.3 cm)
<b>D</b>	10 $\frac{3}{4}$ " (27.3 cm)	10 $\frac{3}{4}$ " (27.3 cm)
<b>E</b>	10 $\frac{1}{16}$ " (27.2 cm)	10 $\frac{1}{16}$ " (27.2 cm)
<b>F</b>	$\frac{5}{16}$ " (.85 cm)	$\frac{3}{8}$ " (0.95 cm)
<b>G</b>	15 $\frac{3}{4}$ " (40 cm)	15 $\frac{3}{4}$ " (40 cm)
<b>H</b>	6" (15.2 cm)	6" (15.2 cm)
<b>I</b>	$\frac{1}{2}$ " (1.27 cm)	$\frac{1}{2}$ " (1.27 cm)

Para instalación en cocina de gas: Monte esta campana de modo que el borde inferior esté a un mínimo de 30" (76.2 cm) por encima de la superficie de cocción. Para la instalación en cocinas eléctricas: monte esta campana de modo que la parte inferior esté a un mínimo de 24" (61 cm).

### Medidas de instalación



- A. 13.18" (33.5 cm) altura mínima del armario superior
- B. Anchura de mueble de 74,8 cm (29,4") para campana de 28,5" y de 89,7 cm (35,3") para campana de 34,5".
- C. 24" (61 cm) mínimo desde la superficie de cocción eléctrica y 30" (76.2 cm) en estufa de gas. 36" (91.4 cm) máximo sugerido desde la base del armario hasta la superficie de cocción
- D. 12.20" (31 cm) profundidad mínima del armario
- E. 15" (38.1 cm) espacio mínimo entre el armario superior y el mostrador
- F. 36" (91.4 cm) altura del armario inferior

Nota: para campanas de 28,5" y 34,5", también se puede utilizar un mueble de 36,7" (93,3cm) de ancho, comprobando en pasos posteriores, la orientación de los soportes.

## Requisitos de Ventilación

- El sistema de ventilación debe terminar en el exterior, excepto para las instalaciones sin ducto de escape (con recirculación).
- No dirija la salida del sistema de ventilación hacia el desván u otra área cerrada.
- No utilice una cubierta de pared de tipo para lavandería de 4" (10.2 cm).
- Utilice ducto de escape de metal únicamente. Se recomienda un ducto de escape de metal rígido. No se recomienda ducto de escape de plástico u hoja metálica. El largo del sistema de ventilación y el número de codos se deben mantener.

### Para obtener el funcionamiento más eficaz y silencioso:

- No use más de 3 codos de 90°.
- Asegúrese de que haya un mínimo de 24" (61 cm) de ducto de escape recto entre los codos, si se utiliza más de 1 codo.
- No instale 2 codos lado a lado.
- El sistema de ventilación debe tener una compuerta.
- Use abrazaderas para sellar todas las juntas en el sistema de ventilación.
- Utilice masilla de calafateo para sellar la abertura exterior de la pared o el techo alrededor de la cubierta.
- El tamaño del ducto de escape debe ser uniforme.

### Instalaciones en climas fríos

Como parte del sistema de ventilación, se deberá instalar una compuerta de contratiro adicional para minimizar el flujo de aire frío hacia atrás, y un dispositivo de interrupción térmico para reducir la conducción de las temperaturas exteriores. La compuerta deberá estar en el lado del aire frío del dispositivo de interrupción térmico.

El dispositivo de interrupción deberá estar lo más cerca posible del lugar donde el sistema de ventilación entra a la parte con calefacción de la casa.

### Aire de complemento

Los códigos locales de construcción podrían requerir el uso de sistemas de aire de complemento, en el caso de que se usen sistemas de ventilación con un movimiento de aire mayor a los CFM (pies cúbicos por minuto) especificados. Los pies cúbicos por minuto especificados varían entre localidades. Consulte a su profesional de Calefacción, Ventilación y Acondicionamiento de Aire (HVAC) para obtener información sobre los requisitos particulares en su zona.

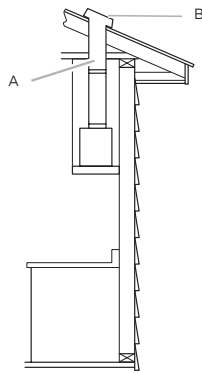
## Opciones de ducto

Siga detenidamente las instrucciones en este manual. Se declina toda responsabilidad de cualquier inconveniencia, daños o incendios eventuales ocasionados por el incumplimiento de las instrucciones de este manual.

### Salida de escape

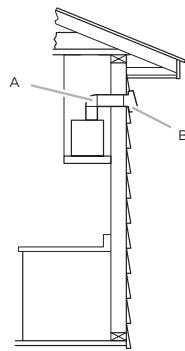
La campana está equipada con una transición redonda de 6" (15.2 cm) para descargar gases y vapor procedentes de la cocina al exterior.

Ventilación a través de techo



A. Ducto de 6" (15.2 cm) a través del techo  
B. Boquilla para el techo

Ventilación a través de pared

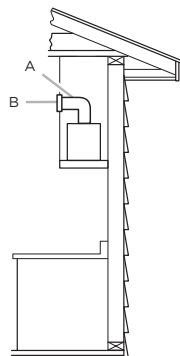


A. Ducto de 6" (15.2 cm) a través del techo  
Boquilla para pared

En caso de que no sea posible la descarga de gases y del vapor procedentes de la cocina al exterior, la campana se puede utilizar en la versión sin tubos (Recirculación).

Únicamente para esta versión: adquiera el Kit Recirculante. Tamaño mínimo del ducto: Tubería redonda de 6" (15.2 cm).

A. Ducto de 6" (15.2 cm) a través del gabinete  
B. Rejilla redonda



### Preparación

No corte una vigueta o un perno a menos que sea absolutamente necesario. Si fuera necesario efectuar el corte, deberá construirse un marco de soporte.

Se suministra el material de ajuste necesario para fijar la campana a la mayoría de tipos de muro o techo.

No obstante, un técnico cualificado debe comprobar la idoneidad de los materiales de acuerdo con el tipo de muro o techo.

Antes de efectuar algún corte, asegúrese de que existe el espacio libre adecuado en el techo o muro para la expulsión del aire.

### ⚠ PRECAUCIÓN

Para la instalación de estufas de gas: instale esta campana de tal manera que la cornisa inferior se encuentre a 27" (68,5 cm) sobre la superficie de cocción.

Para la instalación de estufas eléctricas/inducción: instale esta campana de tal manera que la cornisa inferior se encuentra a no menos de 24" (61 cm) sobre la superficie de cocción.

No hay una altura máxima de instalación, sin embargo, recomendamos montar la campana a no más de 36" (91,4 cm) por encima de la superficie de cocción. Por cada pulgada (2,54 cm) por encima de 36" (91,4 cm), la eficiencia de captura de humo y humedad disminuye a un ritmo creciente y es posible que no proporcione un nivel aceptable de rendimiento de ventilación. Esta campana está diseñada para uso doméstico.

POR FAVOR LEA EL MANUAL DE INSTALACIÓN PARA LA APLICACIÓN ESPECÍFICA. Compruebe la altura del techo y la altura de la campana antes de seleccionar su campana.

## Requisitos eléctricos

### Características eléctricas (nominales)

		EPR628S2	EPR634S1
Modelo		EPR628S2	EPR634S1
Voltaje		120 V-	120 V-
Corriente		3.8 A	3.8 A
Frecuencia		60 Hz	60 Hz
Potencia máx. de lámparas		2 x 2.1 W	2.5 W
Consumo de energía	Modo de espera	W/h	455 W
	Modo de operación	W/h	455 W

### ⚠ ADVERTENCIA

CONECTE A UN CONTACTO DE PARED DE CONEXIÓN A TIERRA DE 3 TERMINALES.

NO quite la terminal de conexión a tierra.

NO use un adaptador.

NO use un cable eléctrico de extensión.

NO seguir estas instrucciones puede ocasionar la muerte, incendio o choque eléctrico.

IMPORTANTE: La campana para cocina deberá estar conectada a tierra de acuerdo con los códigos y ordenanzas locales, o en la ausencia de códigos locales, con el National Electrical Code (Código Nacional Eléctrico), ANSI/NFPA 70 (última edición) o el Canadian Electrical Code (Código Canadiense de Electricidad), CSA C22.1 No. 0-M91 (última edición).

Si los códigos lo permiten y se emplea un alambre de conexión a tierra separado, es recomendable que un instalador eléctrico calificado determine si la trayectoria de conexión a tierra es adecuada. Usted puede obtener una copia de las normas de los códigos arriba indicadas en:

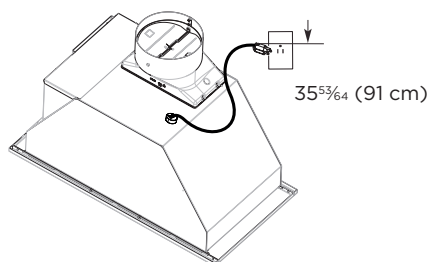
National Fire Protection Association  
1 Batterymarch Park Quincy, MA 02169-7471

CSA International

8501 East Pleasant Valley Road Cleveland, Ohio 44131-5575

## Instrucciones de Instalación

- Se necesita un circuito eléctrico de 120 voltios, 60 hertzios, CA solamente, de 15 ó 20 amperios y protegido con fusibles.
- También se recomienda usar un fusible retardador o un cortacircuitos. Asimismo se recomienda el uso de un circuito independiente que preste servicio únicamente a esta campana para cocina.
- Esta campana para cocina viene equipada con un cable eléctrico dotado de un enchufe con tres terminales y conexión a tierra.
- Para reducir al mínimo el peligro de posibles choques eléctricos, el cable debe estar enchufado en un contacto apropiado de pared de 3 terminales, conectado a tierra de acuerdo con los códigos y ordenanzas locales. Si no hay disponible un contacto equivalente, es responsabilidad y obligación personal del cliente de tener un contacto apropiado con conexión a tierra instalado por un electricista calificado.
- Si está provista de enchufe eléctrico, conecte la campana a una toma de corriente que cumpla con la normativa vigente y colocada en una posición accesible. Cuando no se disponga de enchufe eléctrico (conexión directa a la red eléctrica) o el enchufe no vaya a estar en una posición accesible después de la instalación, coloque un interruptor bipolar homologado en una posición accesible que proporcione una desconexión total en condiciones de sobretensión de categoría III, de acuerdo con las normas locales de cableado.
- El enchufe de 3 terminales con conexión a tierra debe estar ubicado dentro del armario, encima de la campana para cocina, a una distancia mínima de 35.82 (91 cm) desde donde el cable eléctrico sale de la campana.



### INSTRUCCIONES PARA LA CONEXIÓN A TIERRA

- Esta campana para cocina debe estar conectada a tierra.
- En caso de que se produzca un cortocircuito, la conexión a tierra reduce el riesgo de choque eléctrico al proporcionar un alambre de escape para la corriente eléctrica. Esta campana para cocina está equipada con un cable que incluye un alambre y un enchufe a tierra. El enchufe debe ser conectado a un contacto debidamente instalado y puesto a tierra.

**ADVERTENCIA:** La conexión a tierra inadecuada puede ocasionar un riesgo de choque eléctrico. Consulte a un electricista competente si no comprende totalmente las instrucciones de puesta a tierra o si tiene dudas acerca de si la campana para cocina fue puesta a tierra correctamente. No use un cable eléctrico de extensión. Si el cable de suministro eléctrico es demasiado corto, haga que un electricista competente instale un contacto cerca de la campana para cocina.

**GUARDE ESTAS INSTRUCCIONES**

### Prepare la ubicación

- Se recomienda que el sistema de ventilación sea instalado antes de que se instale la campana para cocina.
  - Antes de hacer los recortes, asegúrese que haya suficiente espacio libre dentro del techo o la pared para los accesorios del ducto de escape.
  - Tal vez sea más fácil hacer el corte hacia la base del armario antes de montar el armario en la pared.
- 1 Desconecte el suministro de energía.
  - 2 Decida qué método de ventilación usar: a través del techo, de la pared o sin ducto.
  - 3 Marque la altura para la instalación de la campana, así como la línea central al gabinete en su pared.
  - 4 Retire protectivo de la campana
  - 5 Seleccione una superficie plana para ensamblar la campana para cocina. Cubra dicha superficie.

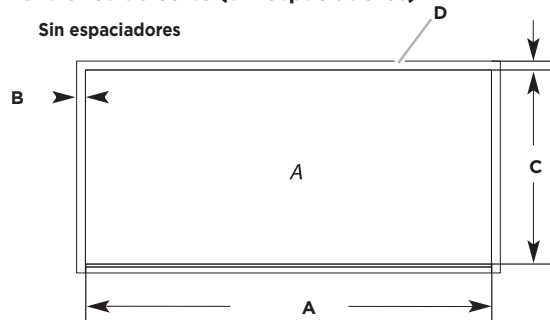
### ⚠ ADVERTENCIA

PELIGRO DE PESO EXCESIVO USE DOS O MÁS PERSONAS PARA MOVER E INSTALAR LA CAMPANA DE COCINA. NO SEGUIR ESTA INSTRUCCIÓN PUEDE OCASIONAR UNA LESIÓN EN LA ESPALDA U OTRO TIPO DE LESIONES.

### Cortes al gabinete

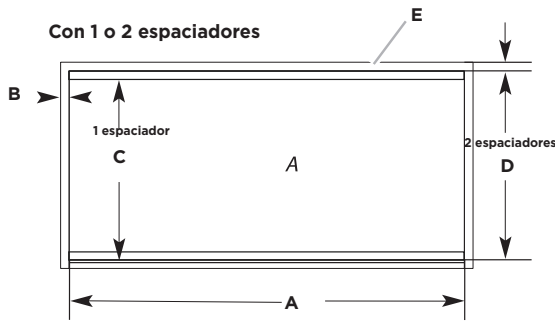
- 1 Use una sierra de vaivén o caladora para cortar la base del armario dentro del marco del mismo.
- NOTA:** Los gabinetes sin marco requieren una franja de 0.75" (1.9 cm) en la parte inferior del gabinete.

### Dimensiones de corte (sin espaciadores)



	Modelo	
	EPR628S2	EPR634S1
A	28.42" (72.2 cm)	34.29" (87.1 cm)
B	0.5" (1.27 cm)	0.5" (1.27 cm)
C	10.93" (27.8cm)	10.93" (27.8cm)
D	0.75" (1.9 cm)	0.75" (1.9 cm)





Modelo		
	EPR628S2	EPR634S1
A	28.18" (72.2 cm)	34.29" (87.1 cm)
B	0.5" (1.27 cm)	0.5" (1.27 cm)
C	11.42" (29cm)	11.42" (29cm)
D	11.93" (30.3cm)	11.93" (30.3cm)
E	0.75" (1.9 cm)	0.75" (1.9 cm)

A. Corte inferior de gabinete

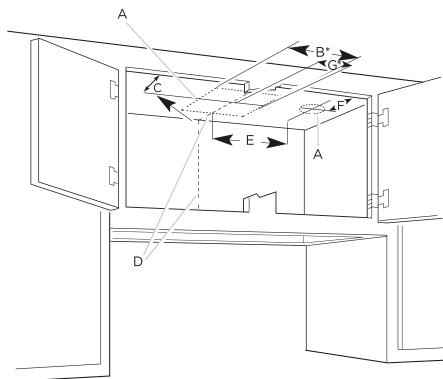
2. Complete la preparación del gabinete siguiendo las instrucciones para el tipo de ventilación que ha elegido (trasera o superior). Determine los cortes para el ducto de ventilación en el gabinete, pared o techo.

#### Ventilación hacia el exterior a través del techo

1 Mida y marque las líneas como se muestra. Use una sierra para hacer una apertura a través de la cara superior del gabinete y el techo para el sistema de ventilación.

#### Especificaciones del corte

Altura del gabinete	Forma y tamaño del orificio
13.18" (33.5 cm) ó 12" (30.5 cm)	Se necesita una apertura rectangular de 8.26" de ancho x 6.25" de profundidad (21 cm x 15.9 cm) en la parte superior del armario para tener un espacio para la pieza de transición de la compuerta.

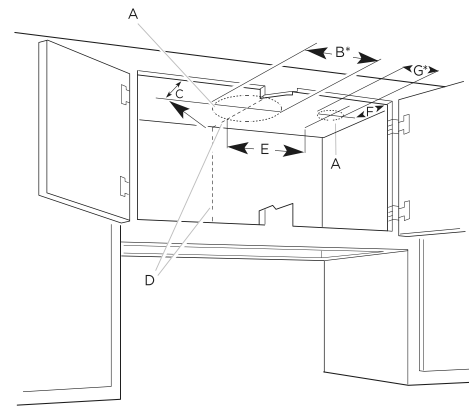


A. Corte  
B. 8<sup>3</sup>/<sub>4</sub>" (21 cm) x 6<sup>1</sup>/<sub>4</sub>" (15.9 cm)\*  
C. 7<sup>3</sup>/<sub>4</sub>" (20 cm) de la línea central al frente del gabinete  
D. Línea central del gabinete  
E. 4<sup>1</sup>/<sub>2</sub>" (10.6 cm)  
F. 3<sup>3</sup>/<sub>4</sub>" (8.3 cm) centro al frente del gabinete  
G. Ø (4 cm)

#### Altura del gabinete Forma y tamaño del orificio

15" (38.1 cm)

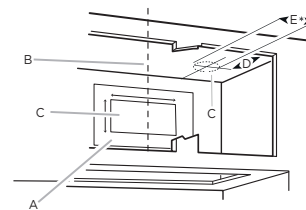
Se necesita una abertura redonda con diámetro de 6.25" (15.9 cm).



A. Corte  
B. Ø 6<sup>1</sup>/<sub>4</sub>" (15.9 cm)\*  
C. 7<sup>3</sup>/<sub>4</sub>" (19.8 cm) de la línea central al frente del gabinete  
D. Línea central del gabinete  
E. 4<sup>1</sup>/<sub>2</sub>" (10.6 cm)  
F. 3<sup>3</sup>/<sub>4</sub>" (8.3 cm) centro al frente del gabinete  
G. Ø (4 cm)\*

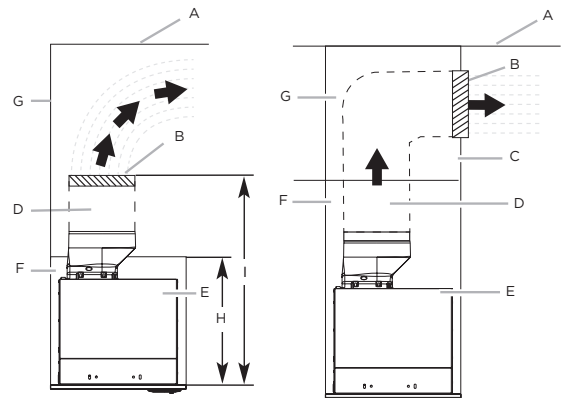
#### Ventilación hacia el exterior a través de la pared

1 Coloque la plantilla para realizar el corte en la pared y taladrar los orificios para la instalación de la transición dentro del gabinete. Alineando la base del gabinete con la línea marcada en la plantilla



A. Plantilla  
B. Línea central  
C. Corte  
D. 3<sup>1</sup>/<sub>4</sub>" (8.3 cm) centro al frente del gabinete  
E. Ø (4 cm)\*

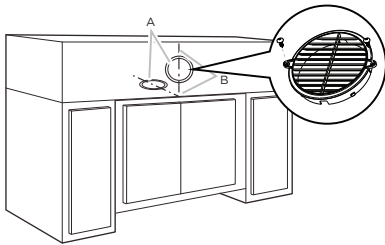
#### Instalación sin ductos (recirculante) a través del gabinete



E. Techo  
F. Cubierta del ducto  
G. Sofito  
H. Ducto de 6" (15.2 cm)  
I. Campana

J. Gabinete  
K. Pared  
L. Altura mínima del gabinete: 12" (30.5 cm)  
M. Altura mínima de la cubierta del ducto: 17" (43.2 cm)

- 1 Mida y marque la línea central del armario al plafón que está encima.
- 2 Mida desde la base del armario hasta la línea central de donde el ducto de escape atravesará el soffito. Marque la ubicación y use una sierra de vaivén o caladora para cortar un orificio de 5.75" (14.6 cm) para la cubierta del ducto. Sujete la cubierta del ducto de escape con dos tornillos de 4.5 x 13 mm.



A. Cubierta del ducto  
B. Línea central

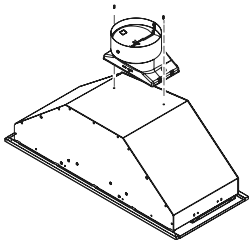
**NOTA:** Para gabinetes con altura de 12" (30.5 cm), se necesita una abertura rectangular de 6.25" de profundidad x 8" de ancho (14.6 cm x 20.3 cm) en la parte superior del armario para tener un espacio para pieza de transición de la compuerta. Considere las especificaciones de las medidas de corte para hacer las aberturas del gabinete.

## Instalación de la campana (Salida superior)

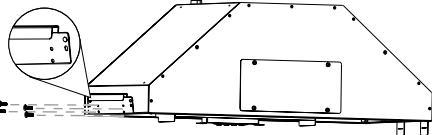
### PRECAUCIÓN

PELIGRO DE PESO EXCESIVO  
USE DOS O MÁS PERSONAS PARA MOVER E INSTALAR LA CAMPANA DE COCINA.  
NO SEGUIR ESTA INSTRUCCIÓN PUEDE OCASIONAR UNA LESIÓN EN LA ESPALDA U OTRO TIPO DE LESIONES.

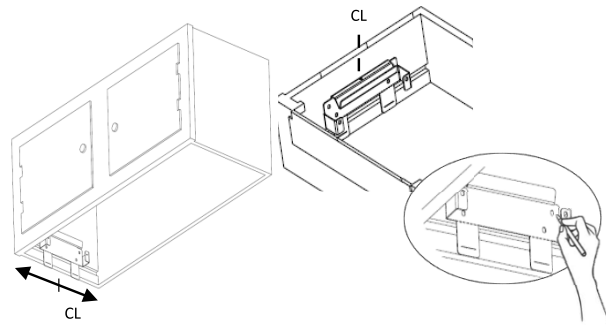
- 1 Instale la transición de aire de 15,2 cm (6") en la parte superior del revestimiento de la campana extractora utilizando dos tornillos de cabeza redonda de 3,5 x 9,5 mm. Monte el conducto de ventilación que utilizará sobre la transición de ventilación de 15,2 cm (6"). Utilice calafateo para sellar la pared exterior o la abertura del techo.



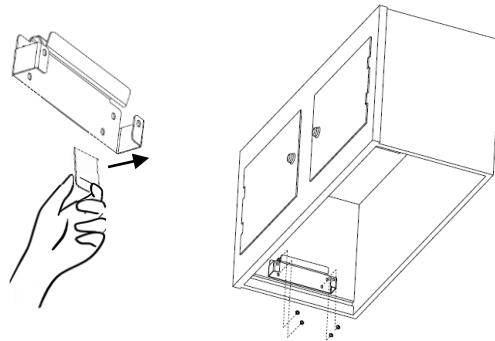
- 2 Coloque la campana boca arriba en una superficie cubierta. Instale los soportes de montaje de la campana con dos tornillos de 3.x9.5mm y dos de 4.2x8mm de cada lado. **NOTA:** La pestaña del bracket debe quedar orientada hacia la parte de abajo de la campana.



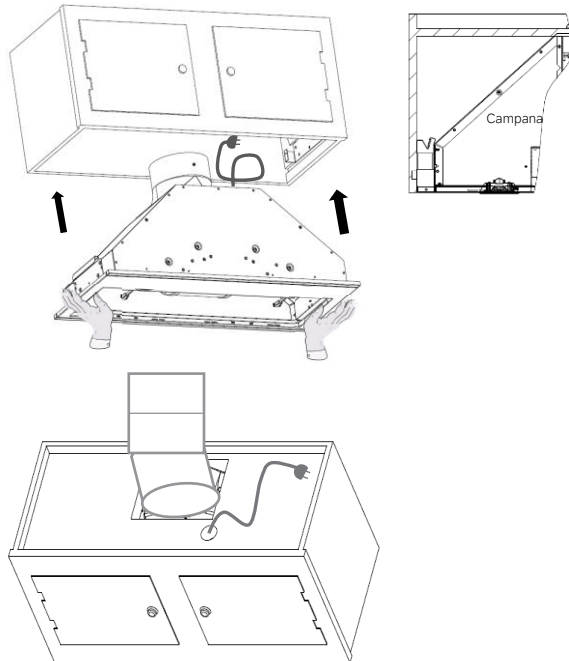
- 3 Centrar soportes a lo ancho del gabinete, usando la marca central de la pieza y alineando los excedentes a la base del gabinete. Marcar los orificios en el gabinete y taladrar.



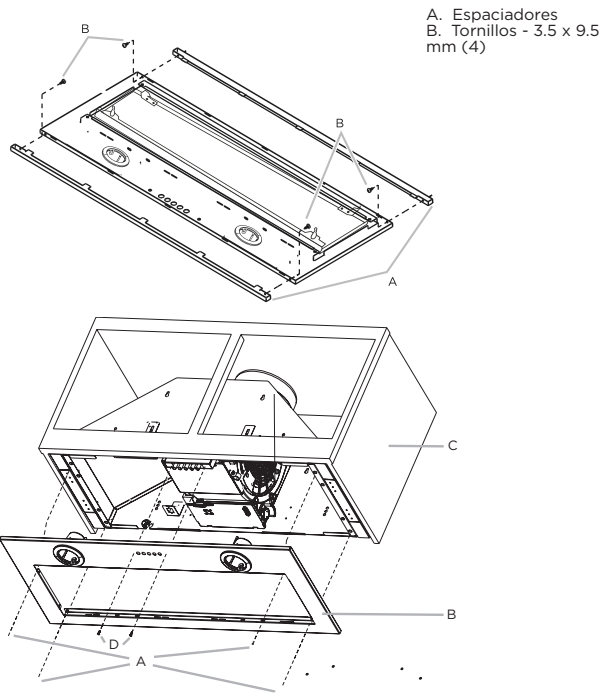
- 4 Quitar los excedentes de cada soporte y fijar cada uno con cuatro tornillos de 4.2x19mm y cuatro rondanas de 6.4x18mm en el gabinete.



- 5 Posteriormente introducir la campana al gabinete con cuidado hasta escuchar un clic. (debe ingresar primero un lado y posteriormente el otro) **NOTA:** Pase el cable de alimentación a través del corte en el armario antes de subir completamente la campana.



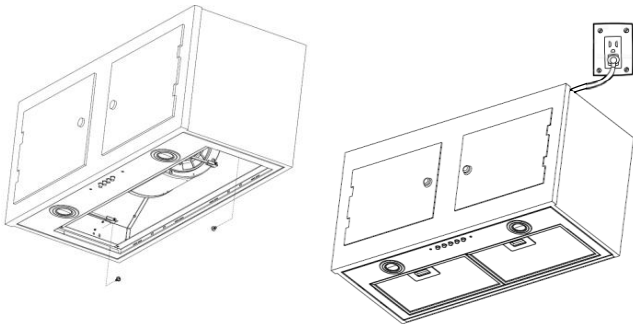
- 6 Retire los filtros de grasa del panel inferior y fíjelo a la campana. **NOTA:** Si la profundidad del gabinete es superior a 12", es recomendable que dos espaciadores metálicos de 0.5" sean instalados. Instáloslos en las partes frontal y trasera del panel con 4 tornillos de 3.5 x 9.5 como lo muestra el dibujo.



A. Espaciadores  
B. Tornillos - 3.5 x 9.5 mm (4)

	Cabinete 28.5"	Cabinete 34.5"
A	Tornillos - 3,5 x 9,5 mm cabeza plana (4)	Tornillos - 3,5 x 9,5 mm cabeza plana (4)
B	Placa frontal (mostrada 28,5" x 12" [72,39 cm x 30,5 cm])	Placa frontal (mostrada 34 1/2" x 12" [87,6 cm x 30,5 cm])
C	Gabinete (se muestra 28,5" x 12" [72,39 cm x 30,5 cm])	Gabinete (se muestra 34 1/2" x 12" [87,6 cm x 30,5 cm])
D	Tornillos - 4,2 x 15 mm cabeza de cercha (2)	Tornillos - 4,2 x 15 mm cabeza de cercha (2)

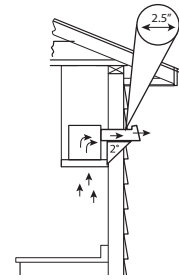
- 7 Para asegurar la campana, colocar internamente dos tornillos, uno por lado y regresar los filtros de grasa. Por último, conectar la campana al toma corriente.



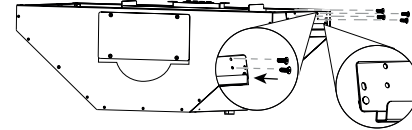
## Instalación de la campana (Salida trasera)

**⚠ PRECAUCIÓN**  
PELIGRO DE PESO EXCESIVO  
USE DOS O MÁS PERSONAS PARA MOVER E INSTALAR LA CAMPANA DE COCINA.  
NO SEGUIR ESTA INSTRUCCIÓN PUEDE OCASIONAR UNA LESIÓN EN LA ESPALDA U OTRO TIPO DE LESIONES.

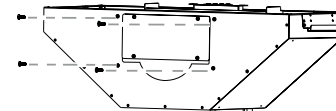
NOTA: Para conductos traseros horizontales debe haber un mínimo de 2 1/2» de espacio abierto entre la parte trasera del inserto de la campana y la pared.



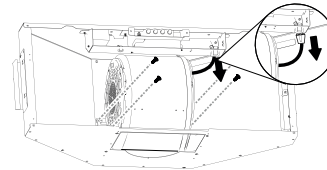
- 1 Coloque la campana boca arriba sobre una superficie cubierta. Instale los soportes de montaje de la campana con 2 tornillos de 3,5x9,5 mm y 2 tornillos de 4,2x8 mm en cada lado. NOTA: La pestaña del soporte debe estar orientada hacia la parte inferior de la campana.



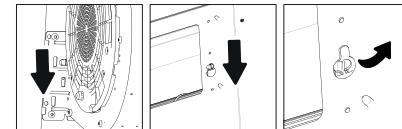
- 2 Retire la cubierta trasera quitando los cuatro (4) tornillos



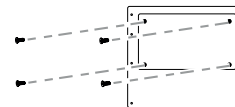
- 3 Desconecte el cable de alimentación y retire los cuatro (4) tornillos que sujetan el motor.



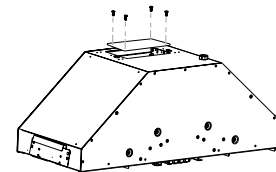
- 4 Gire el soplador 90 grados para desmontarlo de los orificios, de modo que la salida quede colocada sobre la abertura de salida trasera.



- 5 De la tapa que retiró anteriormente, retire la tapa de la salida.

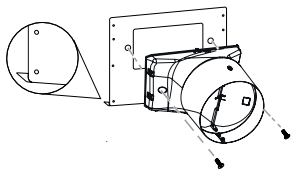


- 6 Instale la tapa de salida y los (4) tornillos que se retiraron en el paso 2 sobre la salida superior como se muestra en el dibujo.

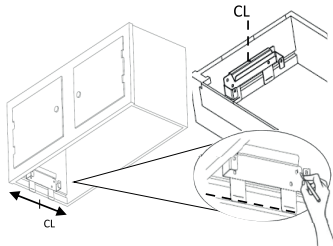


- 7 Instale la transición redonda de 6» sobre la cubierta trasera con dos (2) tornillos de 3,5 x 9,5 mm.

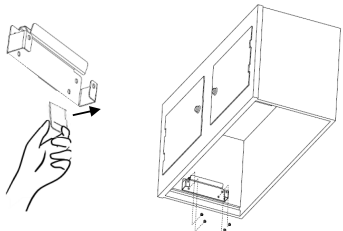
NOTA: El lado plano de la transición debe apuntar hacia la sección estrecha del cuerpo de la campana y el lado opuesto de la transición debe apuntar hacia la sección ancha del cuerpo de la campana. \*Nota: Deje la transición a un lado hasta el paso 11.



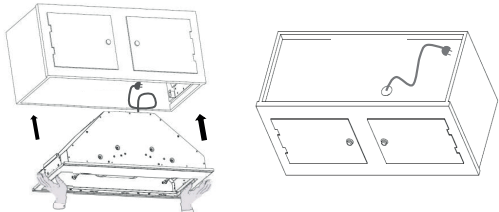
- 8** Centre los soportes a lo ancho del armario, utilizando la marca central de la pieza y alineando el exceso con la base del armario. Marque los agujeros en el armario y taladre.



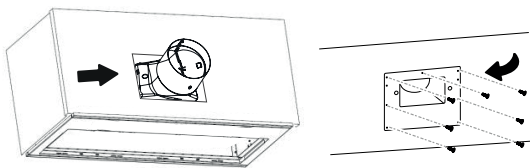
- 9** Retire las aletas metálicas sobrantes de cada soporte empujándolas hacia delante y hacia atrás hasta que se separen. Fije cada soporte con cuatro (4) tornillos de 2 x 19 mm y cuatro (4) arandelas de 4 x 18 mm al armario.



- 10** Introduzca con cuidado la campana en el armario hasta que oiga un clic (primero debe introducirse un lado y luego el otro). NOTA: Pase el cable de alimentación a través del recorte del armario antes de insertar la cubierta/cuerpo de la campana en el armario.

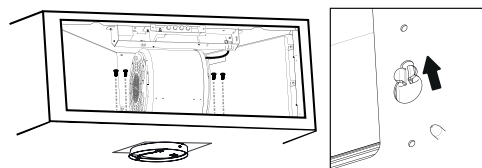


- 11** Pase la transición desde el interior de la campana hasta el recorte de la salida de aire trasera y atornille desde el interior con (7) tornillos de 4,2 x 8 mm.



- 12** Coloque el motor con la parte más plana hacia abajo y orientado hacia la salida de aire trasera, monte los agujeros de los ojales para sujetarlo. A continuación atornillar el motor desde el interior de la campana con los 4 tornillos que se fijaron inicialmente

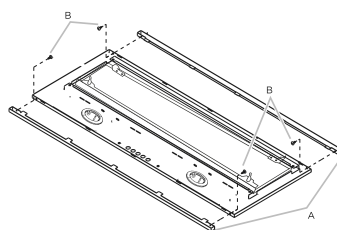
\*NOTA: El dibujo es solo para referencia de como instalar el motor, la transición no es hacia abajo



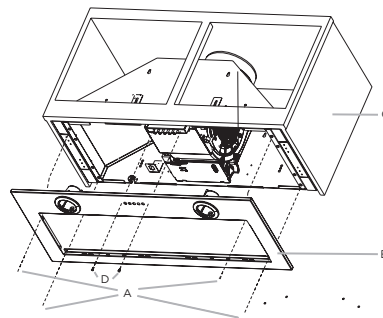
- 13** Vuelva a conectar el cable de alimentación del motor a la campana.

- 14** Retire los filtros de grasa del panel inferior y fíjelo a la campana con 6 tornillos.

NOTA: Si la profundidad del armario es superior a 12«, se recomienda instalar dos separadores metálicos de 0,5». Instálelos en la parte delantera y trasera del panel con tornillos de 4 x 3,5 x 9,5 como se muestra en el dibujo.

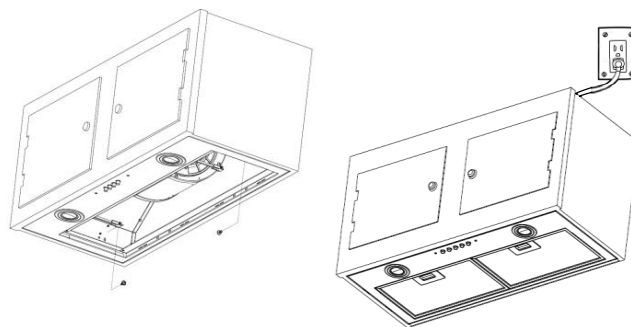


A. Espacedores  
B. Tornillos - 3.5 x 9.5 mm (4)



	Gabinete 28.5"	Gabinete 34.5"
<b>A</b>	Tornillos - 3,5 x 9,5 mm cabeza plana (4)	Tornillos - 3,5 x 9,5 mm cabeza plana (4)
<b>B</b>	Placa frontal (mostrada 28,5" x 12" [72,39 cm x 30,5 cm])	Placa frontal (mostrada 34 1/2" x 12" [87,6 cm x 30,5 cm])
<b>C</b>	Gabinete (se muestra 28,5" x 12" [72,39 cm x 30,5 cm])	Gabinete (se muestra 34 1/2" x 12" [87,6 cm x 30,5 cm])
<b>D</b>	Tornillos - 4,2 x 15 mm cabeza de cercha (2)	

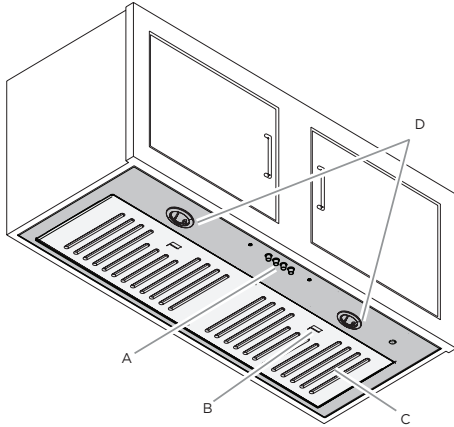
- 15** Para fijar la campana, coloque internamente dos tornillos, uno por lado y vuelva a colocar los filtros de grasa. Por último, conecte la campana a la toma de corriente.



## Descripción de la campana

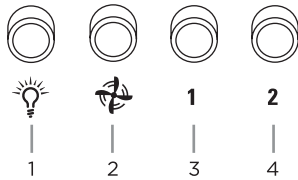
La campana para cocina se ha diseñado para remover humo, vapores provenientes de la cocción y olores del área de la superficie de cocción. Para obtener mejores resultados, encienda la campana antes de cocinar y permita que funcione por varios minutos después de haber cocinado, para que quite todo el humo y los olores de la cocina.

Los controles de la campana están ubicados en la parte frontal del revestimiento de la campana para cocina.



- A. Botones de luz y motor
- B. Plato perimetral
- C. Lámparas LED

### Controles



1. Botón de encendido/apagado de la luz
2. Botón de encendido/apagado y velocidad mínima de motor
3. Botón de velocidad media de motor
4. Botón de velocidad máxima de motor

### Funcionamiento de la luz

El botón de Encendido/Apagado controla todas las luces. Presione una vez para Encendido y nuevamente para Apagado.

### Funcionamiento del motor

Los botones de VELOCIDAD DEL MOTOR encienden el motor y controlan la velocidad y el nivel de sonido de este para un funcionamiento silencioso. La velocidad se puede cambiar en cualquier momento mientras el ventilador está funcionando, presionando el botón de la velocidad deseada del motor.

**Presione el botón de APAGADO por segunda vez para apagar el motor.**

## Conecte el sistema de ventilación

### Instalaciones con ducto de salida de aire

- 1 Conecte el ducto del sistema de ventilación a la abertura de la campana de cocina. Selle la conexión con las abrazaderas.

### Instalaciones sin ducto de escape (con recirculante)

- 1 Conecte el sistema de ventilación a la abertura de la campana de cocina; selle la conexión con las abrazaderas.
- 2 Instale los filtros de carbón. Para ordenar kits de reemplazo, vea la sección "Accesorios".

## Complete la instalación

- 1 Vuelva a colocar los filtros para grasa. Consulte la sección de "Mantenimiento".

**⚠ ADVERTENCIA**  
PELIGRO DE CHOQUE ELÉCTRICO

**⚠ ADVERTENCIA**  
CONECTE A UN CONTACTO DE PARED DE CONEXIÓN A TIERRA DE 3 TERMINALES.  
NO quite LA TERMINAL DE CONEXIÓN A TIERRA.  
NO USE UN ADAPTADOR.  
NO USE UN CABLE ELÉCTRICO DE EXTENSIÓN.  
NO SEGUIR ESTAS INSTRUCCIONES PUEDE OCASIONAR LA MUERTE, INCENDIO O CHOQUE ELÉCTRICO.

- 2 Enchufe el cable eléctrico de 3 terminales en un contacto de 3 terminales con conexión a tierra, dentro del armario, por encima de la campana para cocina.
- 3 Verifique el funcionamiento del ventilador de la campana de cocina y la luz. Consulte la sección "Descripción de la campana". Si la campana de cocina no funciona, revise si se ha disparado un cortacircuitos o si se ha quemado un fusible doméstico. Desconecte el suministro eléctrico y revise las conexiones de cableado.

**NOTA:** Para obtener un uso más eficaz de su nueva campana de cocina, lea la sección "Descripción de la campana".

## Mantenimiento

### Limpieza

No aplique limpiadores directamente al control durante la limpieza de la campana.

La campana debe ser limpiada con frecuencia tanto externamente como internamente (con la misma frecuencia con la que se realiza el mantenimiento de los filtros de grasa). Para la limpieza, utilice un paño impregnado de detergente líquido neutro. No utilice productos que contengan abrasivos. **¡NO UTILICE ALCOHOL!**

### ⚠ ¡ATENCIÓN!

De no observarse las instrucciones dadas para limpiar el aparato y sustituir el filtro, puede producirse un incendio.

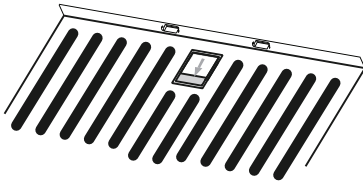
El fabricante recomienda leerlas y respetarlas atentamente. El fabricante no se hace responsable por los daños al motor o los incendios provocados en el aparato debido a intervenciones de mantenimiento incorrectas o al incumplimiento de las normas de seguridad proporcionadas.

### Reemplazo de los filtros de grasa metálicos

Los filtros deberán lavarse con frecuencia. Coloque los filtros metálicos en la lavavajillas o con una solución caliente de detergente para limpiarlos. Deje que el filtro se seque por completo antes de volver a colocarlo.

Apague el ventilador y las luces.

- 1 Remueva cada filtro jalando la manija y después bajando el filtro.



- 2 Lave los filtros metálicos cuando sea necesario en lavaplatos o solución jabonosa caliente.
- 3 Vuelva a instalar el filtro asegurándose de que las manijas de liberación con resorte estén mirando hacia el frente. Inserte el filtro de metal para grasa dentro de la guía superior.
- 4 Jale hacia abajo la manija de liberación con resorte.
- 5 Empuje el filtro de metal hacia arriba y suelte la manija para que se traben en su lugar.
- 6 Repita los pasos 1 a 5 para el otro filtro.

### Reemplazo de las lámparas LED

Las luces LED son reemplazables sólo por un técnico de servicio. Vea la sección "A quién contactar" para la información de contacto del servicio.

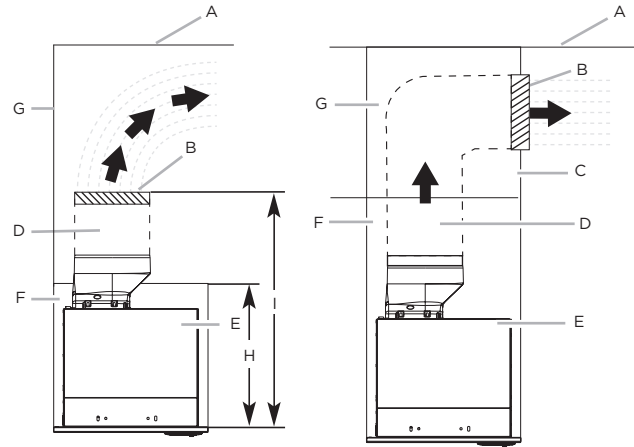


Lámpara LED empotrable	
Potencia asignada	2 x 2.1 W
Potencia máxima	2.5 W
Tensión asignada	3 V-
Tipo de socket	n/a
Dimensiones	∅ 67mm x 20mm

## Accesorios

### Kit Recirculante

Si no es posible ventilar los humos y vapores de cocina al exterior, la campana puede ser usada en su versión filtrante (recirculante), usando filtros de carbón. El kit recirculante está disponible con el distribuidor de partes autorizado.

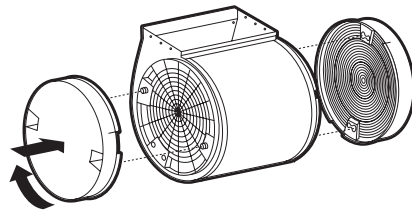


A. Techo  
B. Cubierta del ducto  
C. Sofito  
D. Ducto de 6" (15.2 cm)  
E. Campana

F. Gabinete  
G. Pared  
H. Altura mínima del gabinete: 12" (30.5 cm)  
I. Altura mínima de la cubierta del ducto: 17" (43.2 cm)

**NOTA:** Los gabinetes con una altura de 12" (30.5 cm) sin sofito permiten que la cubierta de ducto y el ducto de 6" sean visibles.

- 1 Cubra la rejilla que protege el motor del motor con el filtro de carbón, de manera que las ranuras del filtro coincidan con las espigas en los lados de la rejilla del motor.
- 2 Gire el filtro de carbón hacia la derecha para asegurarlo.
  - Los filtros de carbón ya no pueden ser limpiados. Deben ser reemplazados cada 4-6 meses (dependiendo de su uso).
  - Remueva las ataduras de cables que se encuentran en el filtro de carbón para poder moverlo hacia la derecha.



### Kit de extensión de cubierta - no incluido

- Para proveer de protección al gabinete, también se encuentra disponible una extensión de cubierta de 36" ancho x 17" ó 20" de profundidad.

Vea las instrucciones de instalación de la extensión de cubierta para más información.

## PARA OBTENER SERVICIO DENTRO DE GARANTÍA

El propietario debe presentar su recibo original de la compra. Guarde por favor una copia de su recibo de compra como prueba, para recibir el servicio dentro del periodo de garantía.

## PARTES Y GARANTÍA DE SERVICIO

Por el periodo de dos (2) años desde la fecha original de la compra, Elica proveerá, gratuitamente, partes no-consumibles o componentes que hayan fallado debido a defectos de fabricación. Durante estos dos (2) años de garantía limitada, Elica también proveerá gratuitamente, todo el servicio en casa y mano de obra necesaria para reemplazar cualquier parte defectuosa.

## QUÉ NO ESTÁ CUBIERTO

- Daños o fallas del producto causados por accidente o actos de Dios, tales como inundaciones incendios o terremotos.
- Daños o fallas causadas por alteración del producto o por el uso de partes no-originales.
- Daños o fallas del producto causados durante la entrega, manejo o instalación.
- Daños o fallas del producto causados por abuso del usuario.
- Daños o fallas del producto causados por reemplazo de fusibles dañados o reseteo de interruptor de circuito.
- Daño o fallas causados por el uso del producto en un ambiente comercial (no doméstico).
- Viajes de servicio para proporcionar orientación de uso o instalación.
- Bombillas, filtros de carbón o metal y cualquier otra parte consumible.
- Desgaste normal.
- Desgaste terminal debido a abusos del usuario, mantenimiento inadecuado, uso de productos / toallas de limpieza corrosivos o abrasivos y por uso de limpiadores para hornos.

## QUIÉN ESTÁ CUBIERTO

Esta garantía se extiende al comprador original de productos adquiridos para uso residencial en Norte América (incluyendo Estados Unidos, Guam, Puerto Rico, Islas Vírgenes de EU y Canadá).

Esta garantía no es transferible y aplica solamente al comprador original y no se extiende a propietarios subsecuentes del producto. Esta garantía se expresa en lugar de otras garantías, expresadas o implicadas, incluyendo, pero no limitada a ninguna garantía implicada de comercialización o adaptada para propósitos particulares y cualquier otra obligación por parte de Elica North America, considerando, sin embargo, que si la negación de garantías implícitas es inefectiva bajo la ley aplicable, la duración de cualquier garantía implícita será limitada a dos (2) años desde la fecha original de compra o por el periodo necesario como sea requerido por la ley aplicable.

Esta garantía no cubre cualquier daño especial, incidental y/o consecuente, ni pérdidas de ganancias, sufridas por el comprador original, sus clientes y/o usuarios del producto.

## A QUIÉN CONTACTAR

Para obtener Servicio bajo Garantía o para cualquier pregunta relacionada a Servicio:

Favor de llamar a:

- Servicio Elica North America, llame a 1-888 732 8018
- Para el Este de Canadá, llame a ELECTRO-EXPERTS a 1-888 915 8888. Pregunte por el *Departamento de Servicio al Cliente*
- [elica@servicepower.com](mailto:elica@servicepower.com)

