



# SPEC SHEET

## KoolMore 30" x 60" 16-Gauge Stainless Steel Equipment Stand with Galvanized Undershelf

Model: EQT-163060

### FEATURES

- 60-inch length
- Heavy-duty 16-gauge stainless steel
- Weight capacity 900 lbs.
- Adjustable under-shelf
- 2-inch edging
- Overall dimensions 60" L x 30" W x 24" H
- NSF certified
- 90-Day Warranty



### CLOSE UP IMAGES



# TECHNICAL SPECS

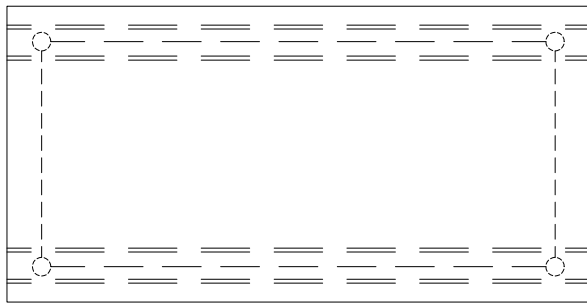
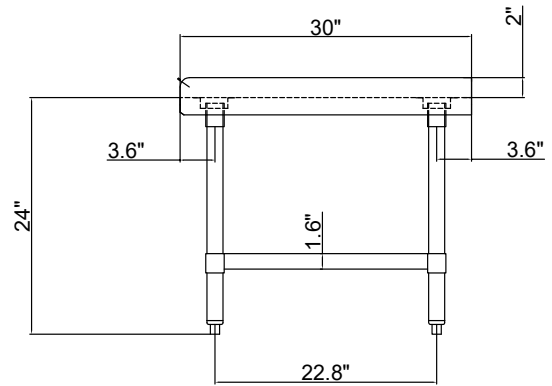
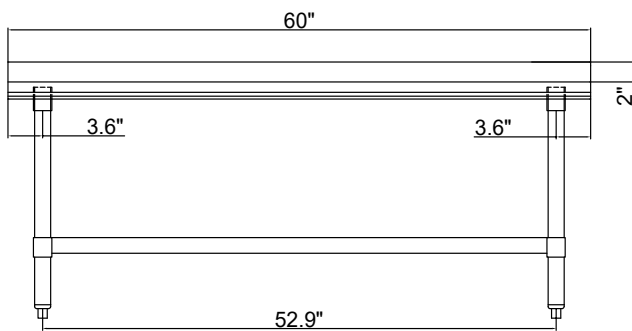
## Dimensions

Length	60
Width	30
Height	24
Weight lbs	81
Shelf Width	30
Shelf Depth	60

## Specs & Certifications

Top Capacity	900 lbs.
Exterior Material	430 Stainless-Steel
Gauge Of Stainless Steel	16
Number Of Feet	4
Legs Adjustable	1 in.
Certifications	NSF Certified for Sanitation

# Plan View



## CERTIFICATIONS



706 Eastern Parkway STE 1G, Brooklyn NY 11213  
718-576-6342  
info@koolmore.com