



30" TOUCH CONTROL DOUBLE OVEN

MATTEO 700 SERIES

MODEL CODE

F7MDP30S1



-  **CREACTIVE COOKING SYSTEM**
-  **PIZZA COOKING MODE 590°F**
-  Dual Convection
-  Self Clean Oven
-  Multi-level Cooking
-  1 Telescopic Rack per oven
-  Cool Touch Door
-  TFT Display
-  Meat Probe
-  Fast Pre-Heat
-  Air Fry
-  Soft Closing

DESCRIPTION

The Matteo 700 Series 30" double oven combines style and functionality, transforming your kitchen into a culinary hub. Finished in sleek, fingerprint-resistant stainless steel, its contemporary design complements any kitchen while delivering reliable performance. With preset cooking functions, self-cleaning capabilities, and a dual convection system, meal prep is efficient and easy. Safety features include child locks and cool-touch doors, while the high-performance multi-pass broiler ensures superior heat distribution. With oversized capacity, this oven handles everything from family meals to dinner parties, blending luxury, convenience, and innovation.

FEATURES

- Full Touch Controls
- Display TFT 3.5"
- 4 Heat-resistant Glass Panel
- Cool Touch Door
- Soft Closing Door
- Interior Halogen Light
- Preset Default Temperature
- Setting Weight kg/lb
- Display Brightness Setting (ON/OFF Condition)
- Beeper Volume Setting
- Display Control Lock
- Sabbath Mode
- 12/24-Hour Clock Formats
- Automatic Fast Preheat
- Temperature Display °C / °F
- Meat Probe
- Event Log (for Service)

FUNCTIONS

- Defrost
- Dehydrate
- Warm
- Bake
- Roast
- True Convection
- Pizza
- Convection Roast
- Convection Grill
- Convection Bake
- Convection Broil
- Broil (L1-L5)
- Pizza Pizzeria
- Sabbath
- Air Fry
- Self Clean

INCLUDED ACCESSORIES

- | | |
|---------------|-------------------------|
| 4x 2006270 | Chromed racks |
| 2x FMTR630 | Telescopic racks |
| 2x SF0866396 | Enameled broiler pan |
| 42105652 | Enameled Air Fry pan |
| 2 x SF3942P96 | Enameled Anti-splash |
| 12541020 | Meat Probe (upper oven) |

OPTIONAL ACCESSORIES

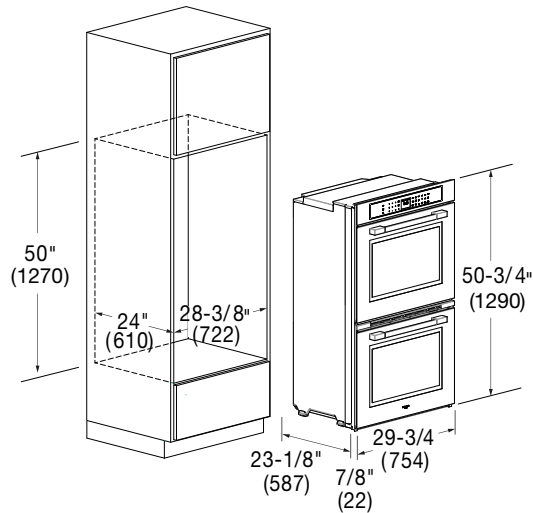
- | | |
|---------|---------------------|
| FMTR630 | 30" Telescopic Rack |
|---------|---------------------|

30" TOUCH CONTROL DOUBLE OVEN

MODEL CODE

MATTEO 700 SERIES

F7MDP30S1



MODEL CODE	30" TOUCH CONTROL DOUBLE OVEN F7MDP30S1	
GENERAL DETAILS		
Finish	Stainless Steel	
Control Type	Creative Electronic Touch Control	
Display	3.5" TFT	
Language	English (USA) / English (UK) / French / Spanish / Italian / German	
Oven Type	Dual True Convection	
Temperature (min - max), °F (°C)	170 - 550	(75 - 290)
Soft Closing	Yes	
Rack Positions	6	
Interior Lights	3 x 20 W Halogen	
Pyrolytic Self Clean	Yes	
CAPACITY		
Volume (each), cu. ft. (L)	4.34	(123)
Useable Width, in. (mm)	24-13/16	(630)
Useable Height, in. (mm)	16-15/16	(430)
Useable Depth, in. (mm)	17-7/8	(454)
DIMENSIONS / WEIGHT		
Product Width, in. (mm)	29-3/4	(754)
Product Height, in. (mm)	50-3/4	(1290)
Product Depth, in. (mm)	23-1/8	(587)
Cutout Width, in. (mm)	28-3/8	(722)
Cutout Height (min), in. (mm)	50	(1270)
Cutout Depth (min), in. (mm)	24	(610)
Net Weight, lbs. (kg)	298	(135)
POWER / RATINGS (240 V, 60 Hz)		
Broil Upper Heating Element	3500 W	
Upper Auxiliary Element	1032 W	
Concealed Lower Bake Element	3000 W	
Convection Element	2 x 1300 W	
TECHNICAL DETAILS		
kW / Amps rating at 120-240 V, 60 Hz	7.50 kW - 31.2 A	
kW / Amps rating at 120-208 V, 60 Hz	6.30 kW - 30.3 A	
Power Cable	4-Wire Conduit – Hardwire Connection	
Power Cable Length, in. (mm)	56	(1422)
Electrical Circuit	240 / 208 V - 60 Hz - 40 A	
INSTRUCTIONS FOR USE		
Use & Care Manual / Installation Manual	English / French / Spanish	
WARRANTY		
Limited Warranty	Parts and Labor (2-year)	