



UNDERCOUNTER BEVERAGE CENTER

Viking 5 Series – FBUI

PROFESSIONAL FEATURES

- 5.5 cu. ft. capacity stores up to 162 cans (12-oz.) and/or 18 wine bottles
- Two 3-in-1 Split Convertible Shelves convert to wine racks with vibration neutralization
- Cantilevered shelving system can hold up to 35 lbs. and features 11 adjustable heights
- Dynamic cooling technology delivers rapid cool down, frost-free operation, and temperature stability
- Argon-filled, UV-resistant tinted dual pane glass door options protect contents from damaging ultraviolet light and helps conserve energy
- Digital controls allow you to select a temperature from 33°F to 70°F
- Door ajar and high/low temperature alerts
- Adjustable LED theater-style lighting in arctic white or sapphire blue
- Elegant midnight black interior
- Concealed soft-close articulating door hinge for integrated installation
- Reversible door for right or left swing
- Panel ready doors expand design options
- Accepts 3/4" or 5/8" custom panels or accessory door panel kits

MODEL NUMBERS

- FBUI5242G – Undercounter 24" W. Beverage Center, Panel Ready Frame Glass
- FBUI5242D – Undercounter 24" W. Beverage Center, Solid Panel Ready



FBUI5242G



FBUI5242D

ACCESSORIES

- PDPUG524SS – Professional Door Panel for Undercounter 24" W. Beverage Center with Glass Door, Stainless Steel
- CDPUG524GSS – Classic Door Panel for Undercounter 24" W. Beverage Center with Glass Door, Stainless Steel
- PDPUS524SS – Professional Door Panel for Undercounter 24" W. Beverage Center with Solid Door, Stainless Steel
- CDPUS524SS – Classic Door Panel for Undercounter 24" W. Beverage Center with Solid Door, Stainless Steel

DESIGN OPTIONS

- Reversible soft-close door allows for right or left swing
- Choice of two accessory door panel kits for each unit
 - Professional Door Panel features the iconic Viking handle for true design integrity
 - Classic Door Panel features a slim handle that coordinates with any kitchen design

WARRANTY

- 2-year full covers complete unit
- 90-day full – cosmetic parts such as glass, painted items, and decorative items
- 6-year full – sealed refrigeration system



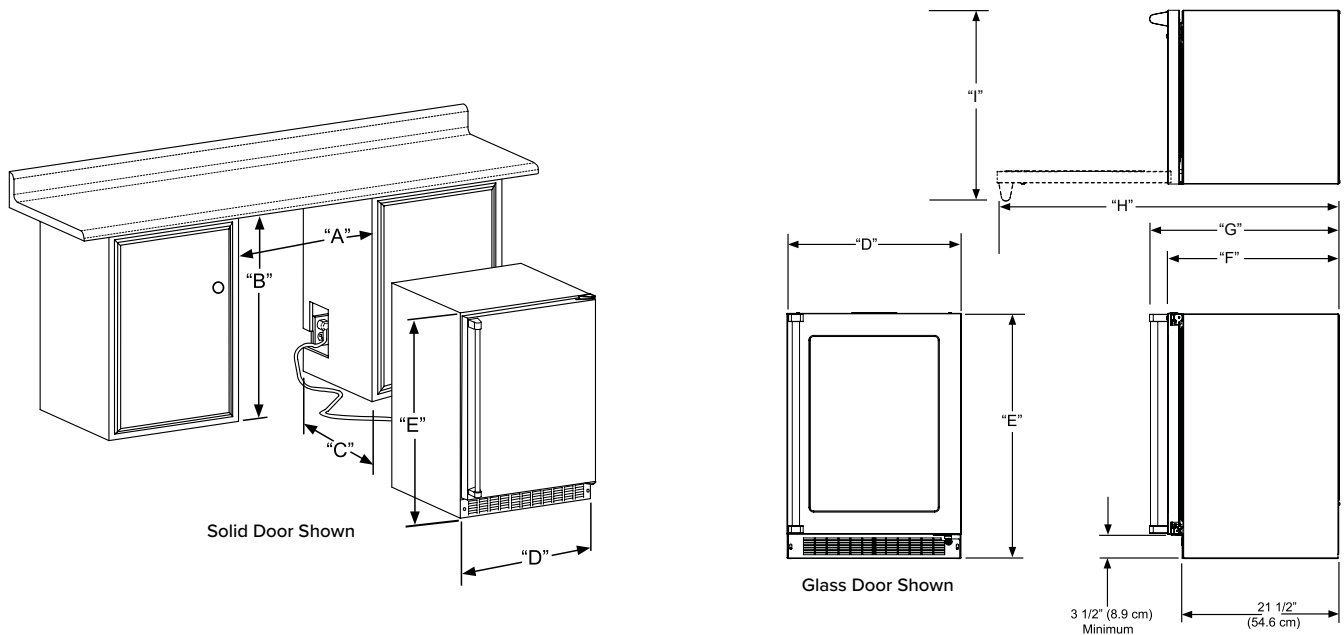
UNDERCOUNTER BEVERAGE CENTER

Viking 5 Series – FBUI

24" W. UNDERCOUNTER BEVERAGE CENTER	
DESCRIPTION	FBUI5242
Overall Width	23-7/8" (60.7 cm)
Overall Height	33-3/4" min – 34-3/4" max (85.7 cm to 88.3 cm)
Overall Depth from Rear	To front of door: 23-5/8" (60.2 cm) To handle: 26-1/8" (66.4 cm) With door at 90° angle: 47-3/4" (121.3 cm)
Electrical Requirements	115V/60Hz/15A
Maximum Amp Usage	3.0 amps
Maximum Storage Capacity	5.5 cu. ft.
Interior finish	Black
ENERGY STAR	Yes
Capacity: Can (12-oz.)	108
Capacity Volume	5.5 cu. ft.
Control Type	Digital
Refrigerant Type	R600a
Sabbath Mode	Yes
Temperature Range	33° F to 70° F
Shipping Dimensions	28" W. x 31" D. x 37" H.
Approximate Shipping Weight	160 lb. (72.6 kg)

Please do not prepare installation from brochure data only. See installation instructions for important clearance/installation information.

Cabinet Dimensions								
A	B	C	D	E	F	G	H	I
24" (61 cm)	34" to 35" (86.4 to 88.9 cm)	24" (61 cm)	23-7/8" (60.7 cm)	33-3/4" to 34-3/4" (85.7 to 88.3 cm)	23-5/8" (60.0 cm)	25-1/2" (64.8 cm)	46-3/8" (117.8 cm)	25-3/4" (65.4 cm)



VIKING RANGE, LLC 111 FRONT STREET GREENWOOD, MISSISSIPPI 38930 USA

For detailed product information, model numbers, or to request a quote call 1-888-845-4641 or visit vikingrange.com
© 2026 Viking Range, LLC All rights reserved. Specifications subject to change without notice.