

# Installation GUIDE

®

## **5 SERIES**

Professional Handle Kit

For Use with All Refrigerators/All Freezer

*PHK528SS*

# IMPORTANT - Please Read and Follow!

- Before beginning, please read these instructions completely and carefully.
- Use caution during assembly to minimize scratches.
- Do not remove permanently affixed labels, warnings or plates from the product. This may void the warranty.
- Please refer to the Installation Instructions for more information on installing the refrigerator/freezer door panel.
- The installer should leave instructions with the customer who should retain for local inspector's use and future reference.

## Installation with Wooden Full Overlay Custom Door Front

### Parts Included

Part	Quantity
Professional Handle tube	(1)
Professional End Caps	(2)
1/4" x 1" (0.6 cm x 2.5 cm) Phillips Head Screws	(4)
063929-000 Install Guide	(1)

### Required Tools

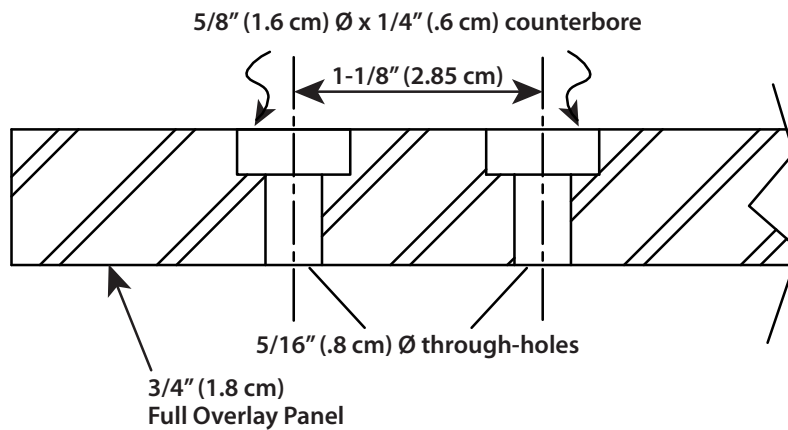
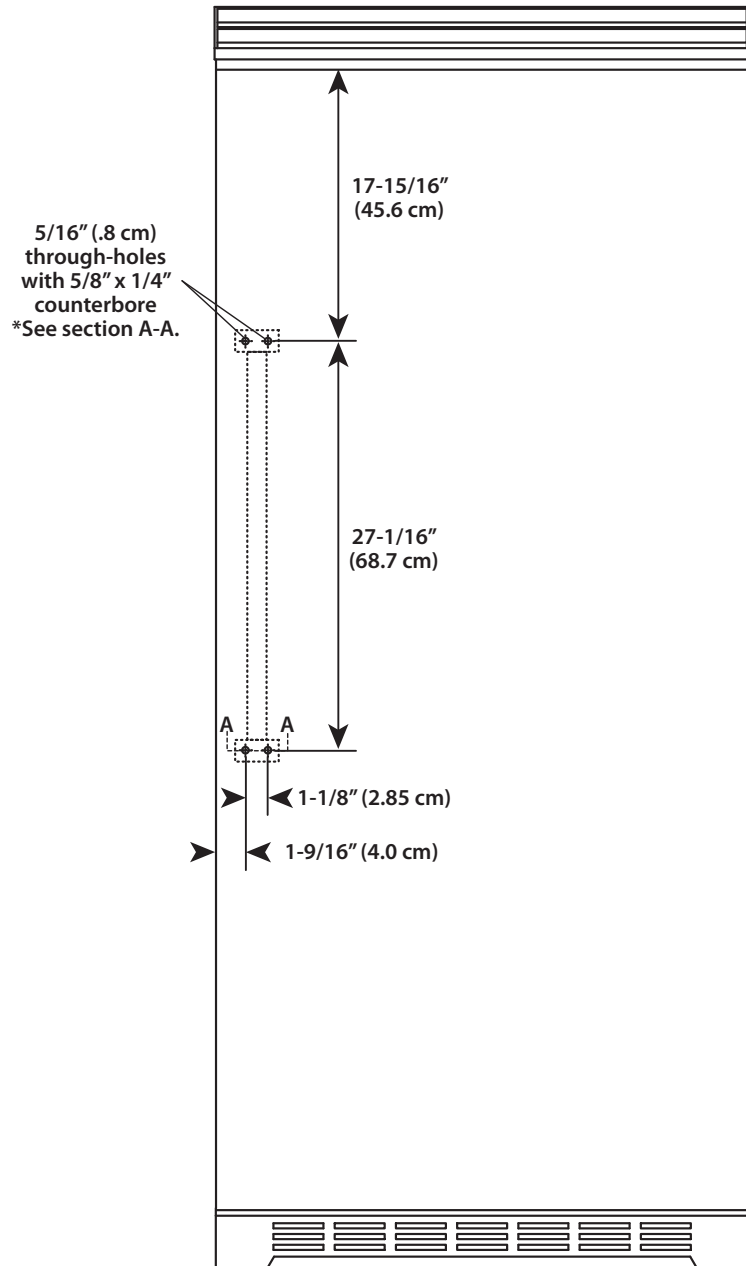
Electric Drill  
5/16" (.8 cm) Drill Bit  
5/8" (1.6 cm) Spade or Forstner Bit (Counterbore)  
Tape Measure  
Phillips Head Screwdriver  
Masking Tape and Pencil  
Rubber Mallet

### To Install:

1. Locate the wooden custom panel.
2. Using the illustrations on the next page, layout the handle location on the panels. It is recommended that masking tape be placed where the four holes will be drilled to help mark the hole placement and to prevent any damage to the door when drilling the holes.
3. The Professional handle will be mounted using (4) of the 1/4" x 1" Phillips head screws provided. Using the 5/16" (.8 cm) drill bit, drill completely through the door in the hole locations. Using the 5/8" (1.6 cm) bit, counter-bore two holes 1/4" (.6 cm) deep on the BACKSIDE of the custom door panel.
4. Place a handle end cap on both ends of the handle tube. Tap the endcaps firmly into place with a rubber mallet ensuring that both endcaps mounting surfaces are parallel.
5. Align the holes in the endcaps with the holes on the panel and attach the Professional handle to the panel using the (4) 1/4" (.6cm) screws provided.

# Handle Installation

## Custom Door All Refrigerator / All Freezer (Front View)



Viking Range, LLC  
111 Front Street  
Greenwood, Mississippi 38930 USA  
(662) 455-1200

For product information,  
call 1-888-(845-4641) or  
visit our web site at [vikingrange.com](http://vikingrange.com) in the US or  
[brigade.ca](http://brigade.ca) in Canada