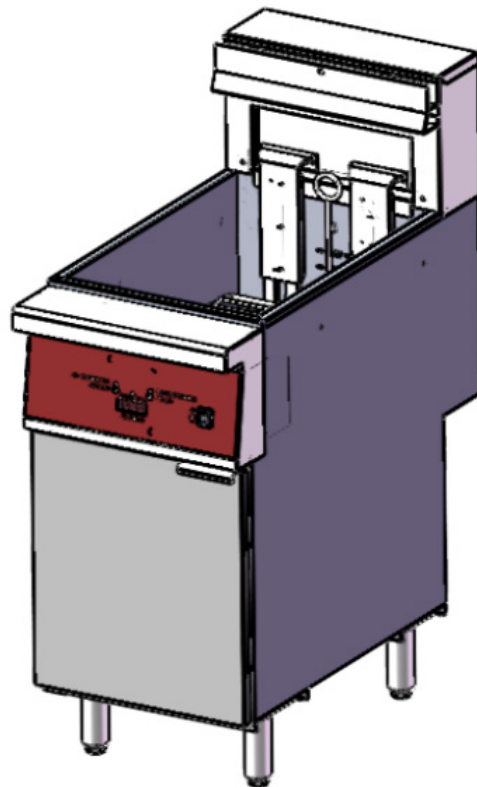




**ELECTRIC DEEP FRYER**

## Commercial 40 lb Electric Deep Fryer 240 V 3 Phase

Models: KM-FDF40-EE



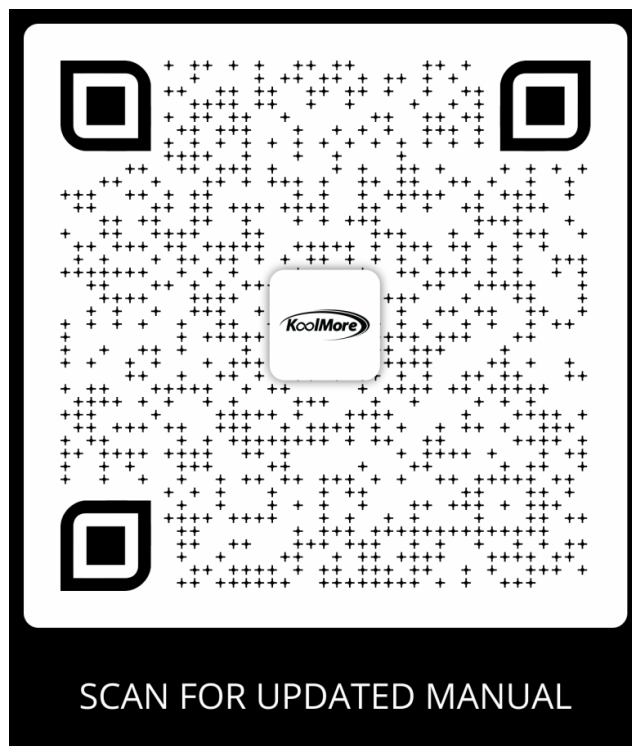
*Before using, please read the operating instructions carefully to ensure proper application and achieve satisfactory results.*

For any service related issues, please contact us:

☎ 718-576-6342    ✉ [support@koolmore.com](mailto:support@koolmore.com)

## Stay informed with the latest information for your KoolMore Appliance.

Scan the QR code below to access the most recent user manual on our website, which is constantly being updated and improved.



**If you need any assistance or have questions, our customer support team is here to help.**

**Phone- 718-576-6342 Email- [support@koolmore.com](mailto:support@koolmore.com)**

Please write down the model number and serial number below for future reference. Both numbers are located on the rating label on the back of your unit or inside of the unit and are needed to obtain warranty service. You may also want to staple your receipt to this manual as it is your proof of purchase and may also be needed for service under warranty.

Model Number: \_\_\_\_\_

Serial Number: \_\_\_\_\_

Date of Purchase: \_\_\_\_\_

To better serve you, please do the following before contacting customer service:

If you received a damaged product, immediately contact the retailer or dealer that sold you the product.

Read and follow this User Manual carefully to help you install, use, and maintain your unit.

Refer to the Troubleshooting section of this manual as it will help you diagnose and solve many common issues.

# Contents

<b>Safety .....</b>	<b>4</b>
<b>Technical Data .....</b>	<b>6</b>
<b>Installation .....</b>	<b>7</b>
<b>Operations .....</b>	<b>9</b>
<b>Cooking Guide .....</b>	<b>11</b>
<b>Maintenance .....</b>	<b>12</b>
<b>Troubleshooting .....</b>	<b>14</b>
<b>Warranty .....</b>	<b>15</b>

# Safety

Thank you for purchasing our appliance. Before using it, please read this manual carefully and keep it for future reference. Proper setup, operation, and maintenance are essential for safe use and to protect your warranty.

## Important Safety Notes

- Do not modify or alter the appliance unless explicitly approved by the manufacturer. Only operate the device in safe, proper, and technically sound conditions.
- As a commercial appliance, the user is responsible for ensuring full compliance with all applicable local, regional, and national safety laws. This includes following the industrial safety measures, accident prevention requirements, and environmental regulations in addition to the instructions provided in this manual.

## Documentation

- Keep these instructions in a safe, accessible place and provide them to any future owner of the appliance.
- Anyone operating the appliance must follow the instructions, warnings, and tips contained in this manual.

## Intended Use

- This appliance is designed **for indoor use only**.

## Warnings & Symbol Definitions

### Warnings

The following symbols indicate important safety information. Read and follow all instructions associated with each symbol.

#### **WARNING**

Indicates a hazard that could cause injury. Follow all instructions carefully.

#### **Electrical Hazard**

Indicates a risk of electric shock. Failure to follow the safety instructions may result in serious injury or death.

#### **CAUTION**

Highlights instructions that help prevent damage, malfunction, or breakdown of the appliance.

#### **NOTE**

Indicates helpful tips and information for efficient, safe, and trouble-free operation.

#### **Hot Surface Warning**

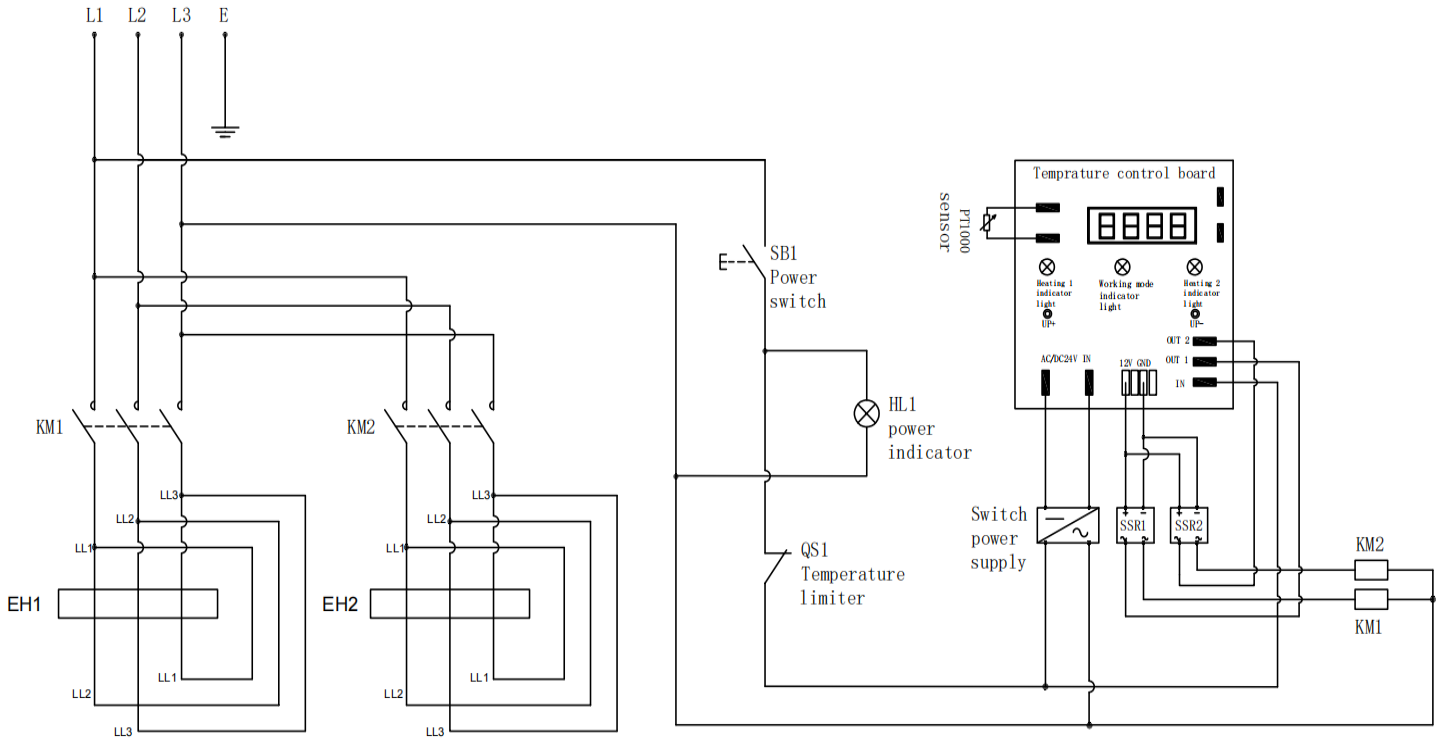
Indicates that certain surfaces may become hot during use. Touching them may cause burns.

### **Additional Safety Guidance**

- Each chapter of this manual provides important safety instructions designed to prevent accidents. Pay close attention to the symbols, pictograms, and labels on the appliance, and ensure they remain legible at all times.
- The appliance is constructed in accordance with current safety and technological standards. However, improper use can still pose a hazard.
- Carefully reading and understanding this manual will help prevent mistakes and ensure safe, reliable operation.
- To maintain safety and achieve optimal performance, always follow the instructions provided and perform regular maintenance as recommended.

# Technical Data

## Circuit Drawing:



## Specifications

Dimension	15.51" x 30.07" x 44.66"
Electrical Data	240 V / 60 HZ / 3 Ph
Power	14 KW
Capacity	40 lbs.