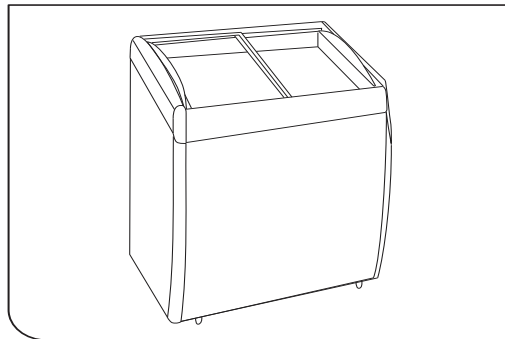


# DIPPING CABINET

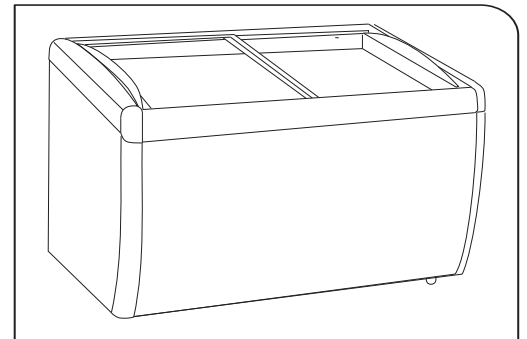
## Gelato Dipping Cabinets

### MODELS:

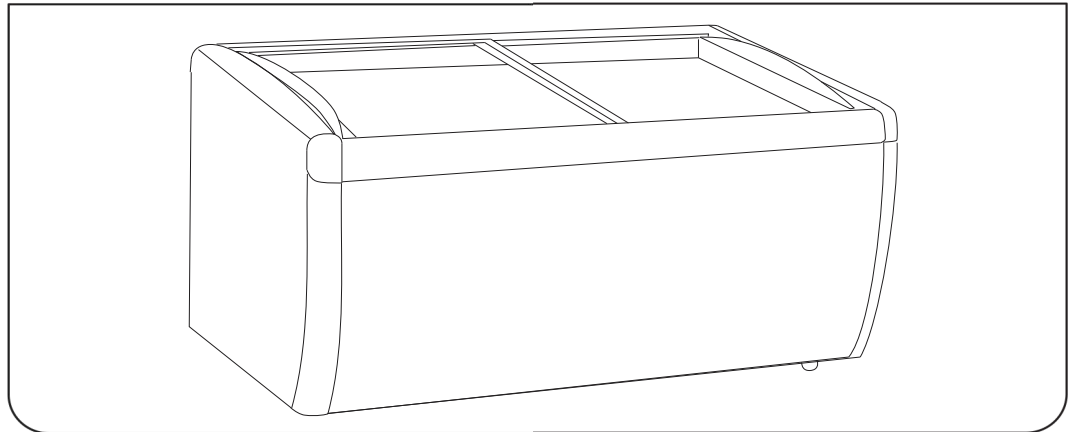
KM-GDC-26SD, KM-GDC-49SD, KM-GDC-71SD



KM-GDC-26SD



KM-GDC-49SD



KM-GDC-71SD

### TABLE OF CONTENT :

1. Warnings and Safety
3. Troubleshooting
4. Dimensions
5. Warranty

***Intended for other than household use. Unit must be kept clear of combustibles at all times.***



## WARNINGS

***DANGER: Risk of fire or explosion. Flammable refrigerant R290 used. To be repaired only by trained service personnel. Do not use mechanical devices to defrost refrigerator. Do not puncture refrigerant tubing.***

### Transportation and Set Up

- Do not transport the unit on an incline of more than 45 degrees.
- Remove all packaging before using the freezer
- Install the Freezer in a well ventilated area, with a 4" clearance around the cabinet walls for proper air circulation
- Ensure the freezer is placed on a stable surface to avoid vibration and noise.
- Install the freezer in a dry area, do not use under direct sunlight, keep away from any corrosive materials.
- Before placing food inside the freezer, turn the temperature control to the lowest point (highest number) for several hours until the freeze reaches 0 degrees Fahrenheit, once it reaches 0 degrees Fahrenheit you may place food inside and adjust the controller to normal temperature.

## SAFETY

1. Never store flammable, explosive or corrosive products in the freezer, and keep the freezer away from such materials.
2. If power is cut off, wait at least 5 minutes before turning on again to avoid damage to the compressor.
3. The temperature control may need to be adjusted based on the amount of food in the freezer and the ambient room temperature. More food or a higher room temperature may require a lower temperature setting (higher number).
4. Never put hot food directly in to the freezer. Food should be cold or frozen before placing it inside.
5. The cabinet is intended exclusively for the storage and/or display of packaged food. For proper safety non-packaged foods should be packed in plastic bags or containers.
6. Do no overload the freezer, leave room between products to allow for proper air circulation.

***For any service-related Issues, please contact us:***

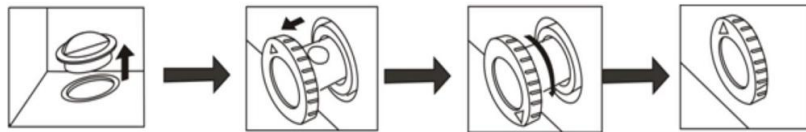
***Phone Number: 718-576-6342***

***Email address: support@koolmore.com***

## Defrosting the Freezer

For optimal performance defrost the freezer when the ice buildup around the freezer walls reaches 1/4".

1. Lower the freezer temperature to the lowest number on the controller for 6 hours.
2. Remove all product from the freezer.
3. Power the freezer off
4. Remove Ice buildup from the freezer walls.
5. Do not use sharp metal tools such as steel brush to clean the ice buildup so as to avoid damage.
6. Dry the freezer walls with a clean cloth
7. When defrosting has finished drain the water in the bottom of the freezer by removing the cap, as illustrated below.



8. There is a water conduit at the bottom of the freezer, when defrosting, extract the rubber cover, the defrosted water will drip into the hole and flow out.
9. Plug the freezer in
10. Wait until unit reaches proper temperature before returning product to the freezer

**NOTES: PLEASE KEEP THE RUBBER COVER SAFE DURING THE DEFROSTING AND PUT IT BACK AFTER THE DEFROSTING IS COMPLETE.**

## Temperature Control

This freezer's temperature control is tamper-proof, preventing accidental adjustment and ensuring that the quality of your frozen treats won't be compromised. The temperature control can be adjusted easily with a screwdriver when necessary.

1. To adjust the temperature turn the knob clockwise. The higher the number the lower the temperature. Generally, position '4' is suitable to maintain frozen products.
2. "Max' position will be operating not continually as compressor won't stop (no cycle). Turn the temperature control to the "4" or "5" when temperature inside is stable for ice cream and similar products.

## Maintenance

- The freezer should be cleaned regularly. When cleaning, turn off the power, remove the product and clean the inside using water or a little neutral detergent.
- Do not use boiling water, acid, chemical diluents, petrol and oil, or dirt-removing powder.
- Dry it after cleaning.
- Use light soap water when cleaning the door seal, apply a little of talcum powder on it after natural drying to extend its service life.
- Use soft cloth with water or a little detergent to clean the out surface. Note, keep the power supply away from water

**For any service-related Issues, please contact us:**

**Phone Number: 718-576-6342**

**Email address: [support@koolmore.com](mailto:support@koolmore.com)**

## Troubleshooting

Issue	Case	Solution
The indicator is not on. The compressor does not start.	The plug became loose and is not properly connected	Adjust the plug
	no power	Restore power
The indicator is on ,but the compressor does not run and makes a buzzing noise	The power voltage is < 98V.	Put a power-regulator more than 1000W power together.
The compressor stops very shortly after starting, and restarts after a few minutes, repeatedly.	The power voltage is > 132V.	
The compressor works normally, but the cabinet takes too long to cool	The door is opened too frequently.	Reduce open times.
	The freezer is overloaded or food is placed too close together	Adjust the placement of the product to leave space for proper ventilation of
	The frost film is too thick.	Defrost the unit
	The surface of the condenser is Dirty.	and defrost. Clean the condenser.
	The door seals badly.	Adjust the door seal.
The noise is too loud	The freezer is on an unstable surface	Move to a stable surface
	The fixing of the freezer is loose.	Tighten the fixing.
	There's contact between pipes.	Separate the pipes

### The following are not issues but are to be expected as normal operation of your freezer:

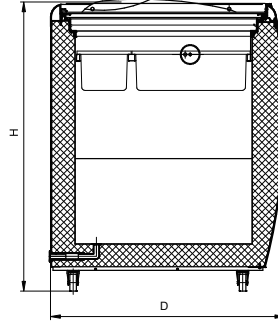
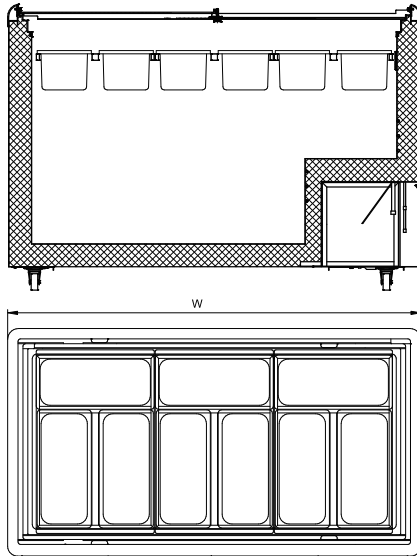
- The sound of water flowing during operation is normal; this is the refrigerant.
- When the humidity is high, dew may form on the surface of the freezer
- When the freezer is running, the condenser and compressor will be hot

**For any service-related Issues, please contact us:**

**Phone Number: 718-576-6342**

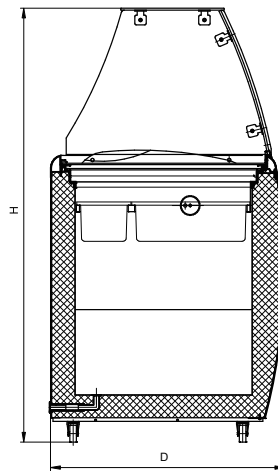
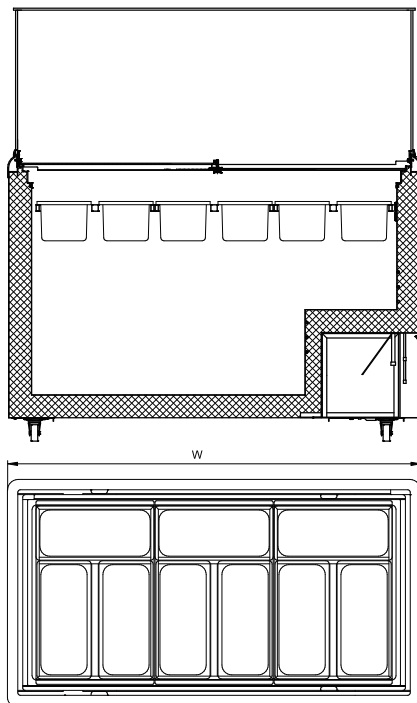
**Email address: [support@koolmore.com](mailto:support@koolmore.com)**

## Dipping Cabinet Dimensions:



MODEL	W"	D"	H"
KM-GDC-26SD	26	28	34
KM-GDC-49SD	49	28	34
KM-GDC-71SD	71	28	34

## Dipping Cabinet + Sneeze Guard Dimensions:



MODEL	W"	D"	H"
KM-GDC-26SD + KM-26FG	26	28	52
KM-GDC-49SD + KM-49FG	49	28	52
KM-GDC-71SD + KM-71FG	71	28	52

**For any service-related Issues, please contact us:**  
**Phone Number: 718-576-6342**  
**Email address: [support@koolmore.com](mailto:support@koolmore.com)**