

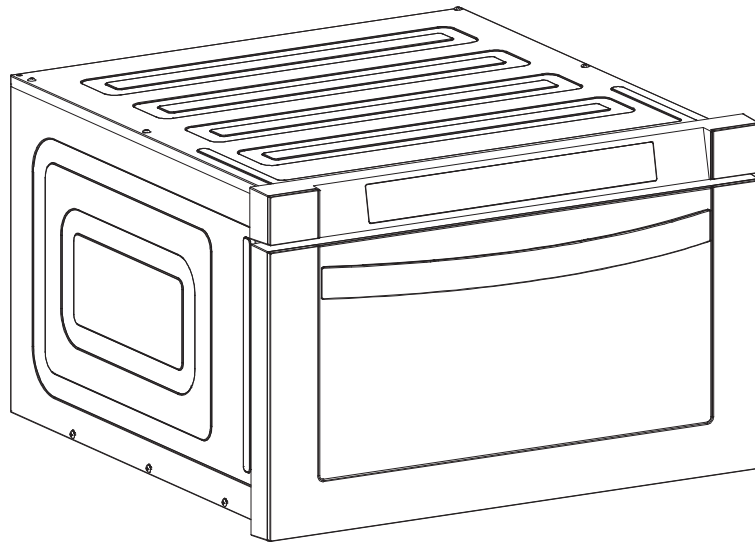


USER MANUAL

MICROWAVE DRAWER

KoolMore Built-in Stainless Steel Microwave Drawer

Model: KM-MD-1SS



Before using, please read the operating instructions carefully to ensure proper application and achieve satisfactory results.

For any service-related issues, please contact us:



718-576-6342



support@koolmore.com

***Stay informed with the latest information
for your KoolMore Appliance.***

**If you need any assistance or have questions, our customer
support team is here to help.**

TO ENSURE YOUR SAFETY AND PREVENT UNNECESSARY EXPOSURE TO MICROWAVE RADIATION, FOLLOW THESE GUIDELINES:

Never operate the microwave with its door open, as this can lead to harmful exposure. Always ensure the door is securely closed and the safety interlocks are functional and not tampered with.

Keep the space between the microwave's front surface and the door clear of any objects. Do not allow grease or cleaning product residue to build up on the sealing surfaces of the door.

Inspect your microwave regularly for damage. Do not use it if you notice:

The door is bent.

The hinges and latches are broken or loose.

The door seals or sealing surfaces are compromised.

If your microwave needs adjustment or repair, it should only be performed by qualified service personnel. Attempting to fix it yourself could be dangerous and may result in exposure to microwave energy.

SAFETY

Important Safety Instructions

- Before use, ensure you have read and understood the microwave's instruction manual thoroughly.
- Specifically, review the section "Precautions to Avoid Possible Exposure to Excessive Microwave Energy" located on page 2 of the manual.
- The microwave must be grounded. Connect it to a properly grounded electrical outlet as directed in the "Grounding Instructions" on page 4.
- Place the microwave in a location recommended by the installation instructions.
- Do not heat items such as whole eggs or completely sealed containers within the microwave, as they can explode.
- Operate the microwave strictly according to the uses described in the manual, avoiding exposure to corrosive chemicals or vapor.
- Exercise close supervision when the microwave is used near children.
- If the microwave's cord or plug is damaged, or if the microwave is not working properly or has been damaged or dropped, refrain from using it.
- Maintenance and servicing should only be performed by qualified service personnel. Contact the nearest authorized service facility for examination, repair, or adjustment.
- Make sure not to cover or block any of the microwave's ventilation openings.
- Avoid storing the microwave in damp environments or near water, such as near a kitchen sink, in a wet basement, or close to a swimming pool.
- Do not immerse the power cord or plug in water.
- Protect the power cord from contact with hot surfaces, and do not let it hang over the edge of a table or counter.
- When cleaning the microwave's door and other surfaces, do so with mild, nonabrasive soap, and wipe with a sponge or soft cloth.
- Reduce the risk of fire in the oven cavity by:
 - a. Avoiding the overcooking of food.
 - b. Supervising the appliance when cooking with materials that can catch fire.
 - c. Removing wire twist-ties and metal objects before placing items in the oven.
 - d. Keeping the oven door closed and unplugged if something inside catches fire.
 - e. Not using the oven cavity for storage purposes, such as paper products or cooking utensils, or leaving food in the cavity when not in use.
- Be aware that some cooking containers, like certain plastics, can catch fire or melt if they're not suitable for microwave use.
- Exercise caution when heating liquids. They can reach temperatures beyond their boiling points without the formation of visible bubbles, posing a risk of sudden boiling or burns when handled.
- This could result in very hot liquid suddenly boiling over when the container is disturbed or a utensil is inserted into the liquid.

To reduce the risk of injury to persons:

Do not overheat the liquid.

Stir the liquid both before and halfway through heating it.

Do not use straight-sided containers with narrow necks.

After heating, allow the container to stand in the microwave oven for a short time before removing the container.

Use extreme care when inserting a spoon or other utensil into the container.

Do not operate any heating or cooking appliance beneath the appliance.

Do not mount unit over or near any portion of heating or cooking appliance.

Do not mount over sink.

Do not store anything directly on top of the appliance surface when the appliance is in operation.

GROUNDING INSTRUCTIONS

This appliance must be grounded. In the event of an electrical short circuit, grounding reduces the risk of electric shock by providing an escape wire for the electric current. This appliance is equipped with a cord having a grounding wire with a grounding plug. The plug must be plugged into an outlet that is properly installed and grounded.

WARNING - Improper use of the grounding can result in a risk of electric shock.

Consult a qualified electrician or serviceman if the grounding instructions are not completely understood, or if doubt exists as to whether the appliance is properly grounded. If it is necessary to use an extension cord, use only a 3-wire extension cord that has a 3-blade ground)

ed plug, and 3-slot receptacle that will accept the plug on the appliance. The marked rating of the extension cord shall be equal to or greater than the electrical rating of the appliance.

DANGER - Electric Shock Hazard

Touching some of the internal components can cause serious personal injury or death. Do not disassemble this appliance.

WARNING - Electric Shock Hazard

Improper use of the grounding can result in electric shock. Do not plug into an outlet until the appliance is properly installed and grounded.

A short power-supply cord is provided to reduce the risks resulting from becoming entangled in or tripping over a longer cord.

Longer cord sets or extension cords are available and may be used if care is exercised in their use.

If a long cord or extension cord is used:

The marked electrical rating of the cord set or extension cord should be at least as great as the electrical rating of the appliance.

The extension cord must be a grounding-type 3-wire cord.

The longer cord should be arranged so that it will not drape over the counter top or tabletop where it can be pulled on by children or tripped over unintentionally.

SAVE THESE INSTRUCTIONS

Grounding Instructions

For safety, this appliance requires proper grounding. Grounding minimizes the risk of electric shock by providing a path of least resistance for electric current. This appliance comes with a power cord fitted with a grounding conductor and a grounding plug. The plug must be connected to an appropriate outlet that is properly installed and grounded.

Warning: The incorrect application of the grounding can pose a risk of electric shock.

If you are unsure about the grounding methods or have any doubts, consult a qualified electrician or service technician. Should there be a need to use an extension cord, ensure it is a three-wire cord with a grounding plug and a three-slot receptacle that matches the plug on the appliance. The electrical rating of the extension cord must be at least as high as the appliance's rating.

Danger: Electric Shock Hazard

Direct contact with internal components can be hazardous. Avoid touching internal parts to prevent potential injury or death. Never attempt to disassemble this appliance yourself.

Warning: Electric Shock Hazard!

To reduce the risk of electric shock, do not connect to power until the appliance has been correctly installed and grounded.

1. This appliance has a short power-supply cord to lessen the risk associated with longer cords, such as entanglement or tripping.
2. An extended power-supply cord or qualified extension cord may be used if proper care is taken.
3. If using a longer power-supply cord or extension:
 - a. The extension cord should match the electrical rating of the appliance.
 - b. Ensure the extension is a grounding-type three-wire cord.
 - c. Arrange the extension cord where it will not hang over the counter or table to avoid being pulled on by children or tripped over.

Radio Interference

1. Using your microwave oven could interfere with nearby radios, televisions, or similar devices.
2. Should interference occur, you might be able to lessen or resolve the issue by following these steps:
 - Ensure the microwave oven's door and its seals are clean.
 - Adjust the orientation of the receiving antenna on your radio or television.
 - Change the location of the microwave oven relative to the affected receiver.
 - Position the microwave oven further from the receiver.
 - Connect the microwave oven to a separate electrical outlet to ensure it and the receiver are on different branch circuits.

Utensils

Caution: Risk of Personal Injury

Sealed containers can build up pressure and may explode if heated in a microwave oven. Always open containers or pierce plastic

pouches before microwaving.

Refer to the manual section titled "Materials suitable for microwave use" for guidance. Some non-metallic utensils may be unsuitable for microwave use. If you are uncertain, perform the following test:

Utensil Test:

1. Place the utensil in question in a microwave-safe container filled with 1 cup (250ml) of cold water.
2. Microwave at full power for 1 minute.
3. Touch the utensil carefully. If it is warm, do not use it in the microwave.
4. Limit the test duration to 1 minute only.

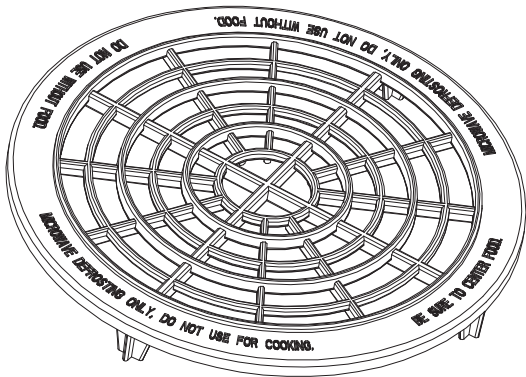
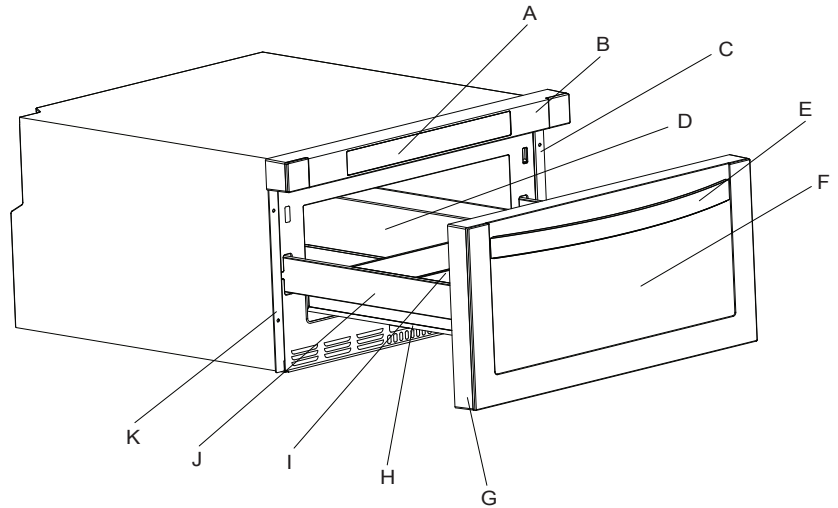
| Materials You Can Use in Microwave Oven | |
|--|--|
| Utensils | Remarks |
| Browning dish | Follow manufacturer's instructions. Must be at least 3/16 inch above the turntable. |
| Dinnerware | Microwave-safe only. Follow the manufacturer's instructions. Do not use if cracked or chipped. |
| Glass jars | Remove the lid; use only to heat food until just warm. Not heat-resistant and may break. |
| Glassware | Heat-resistant oven glassware only. No metallic trim. |
| Oven cooking bags | Follow manufacturer's instructions. Do not close with metal tie. Vent the bag. |
| Paper plates and cups | Use for short-term cooking/warming only. Attend while cooking. |
| Paper towels | Use to cover food for reheating and to absorb fat. Supervise during use. |
| Parchment paper | Use as a cover to prevent splattering or as a wrap for steaming. |
| Plastic | Microwave-safe only. Should be labeled "Microwave Safe." |
| Plastic wrap | Microwave-safe only. Use as directed by packaging. |
| Thermometers | Microwave-safe only (meat and candy thermometers). |
| Wax paper | Use as a cover to prevent splattering and retain moisture. |
| Materials to be Avoided in Microwave Oven | |
| Utensils | Remarks |
| Aluminum tray | May cause arcing. Transfer food into microwave-safe dish. |
| Food carton with metal handle | May cause arcing. Transfer food into microwave-safe dish. |
| Metal or metal-trimmed utensils | Metal shields the food from microwave energy. Metal trim may cause arcing. |
| Twist ties | May cause arcing and could cause a fire in the oven. |
| Paper bags | May cause a fire in the oven. |
| Plastic foam | Plastic foam may melt or contaminate the liquid inside when exposed to high temperature. |
| Wood | Wood will dry out when used in the microwave oven and may split or crack. |

Setting Up Your Oven

Names of Oven Parts and Accessories

Please remove all materials from the carton and oven cavity. Your oven comes with the following accessories:

- A) Control Panel
- B) Control Box
- C) Right Mounting Plate
- D) Cavity
- E) Handle
- F) Windows
- G) Door Frame
- H) Door
- I) Automatic Putter
- J) Drawer
- K) Hinge Joint Board
- L) Left Mounting Plate



The Defrosting Rack (not labeled, likely to be the circular object at the bottom of the image) is only to be used in the defrosting function and should not be used for cooking. Do not use without food.