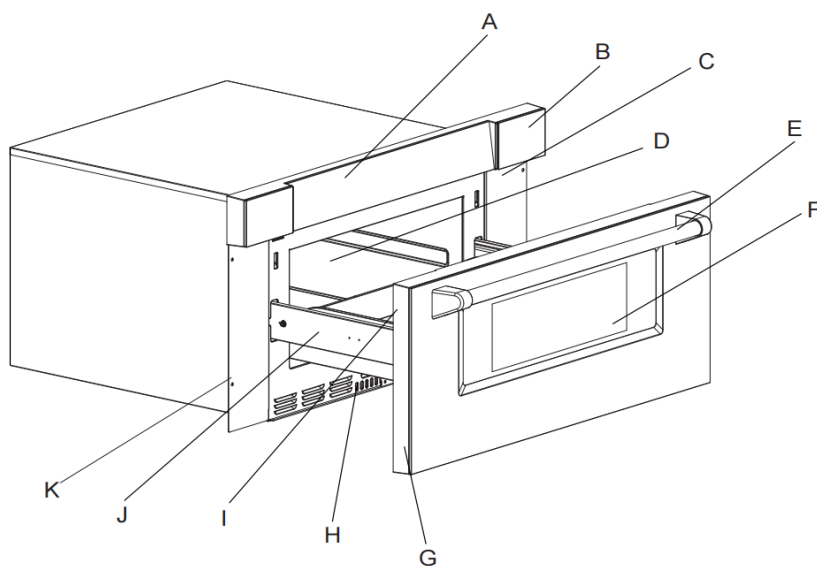


Installation

SETTING UP YOUR OVEN

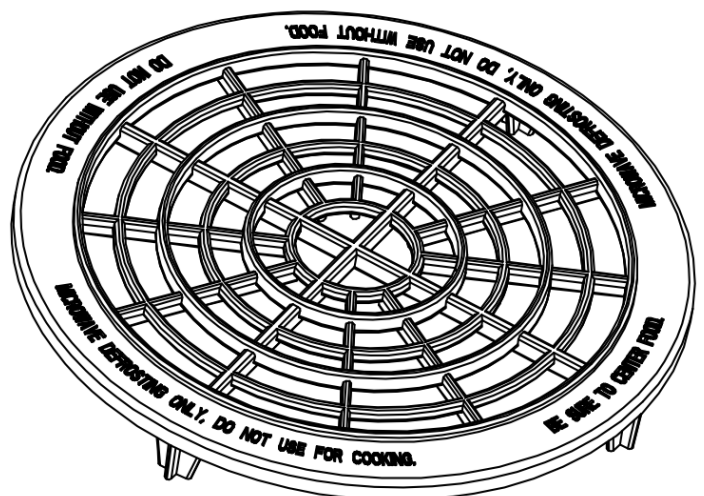
Names of Oven Parts and Accessories

Remove the oven and all materials from the carton and oven cavity.
Your oven comes with the following accessories:



- A) Control Patch
- B) Control Box
- C) Right Mounting Plate
- D) Cavity
- E) Handle
- F) Windows
- G) Door Frame
- H) Automatic putter
- I) Drawer
- J) Hinge Joint Board
- K) Left Mounting Plate

Defrosting Rack(Only be used in defrosting functio and do not use for cooking. Do not use without food)



CLEARANCES AND DIMENSIONS

- Dimensions that are shown in Figure 1 must be used. Given dimensions provide minimum clearance. Locate electrical outlet in the shaded area in the upper left-hand corner of the cutout
- See Figure 3
- Contact surface must be solid and level. Pay special attention to the floor on which the Microwave Drawer will sit. The floor of the opening should be constructed of plywood strong enough to support the weight of the oven (about 100 pounds).
- Check location where the Microwave Drawer will be installed for proper electrical supply
- Your oven can be built into a cabinet or wall by itself or under a gas or electric wall oven.
- Be sure that the clearance of the floor between the wall oven and the microwave drawer is a minimum of 2-inches.
- The microwave interior will easily accommodate a 9" x 13" oblong dish or a bag of microwave popcorn.

MICROWAVE DRAWER MEASUREMENTS

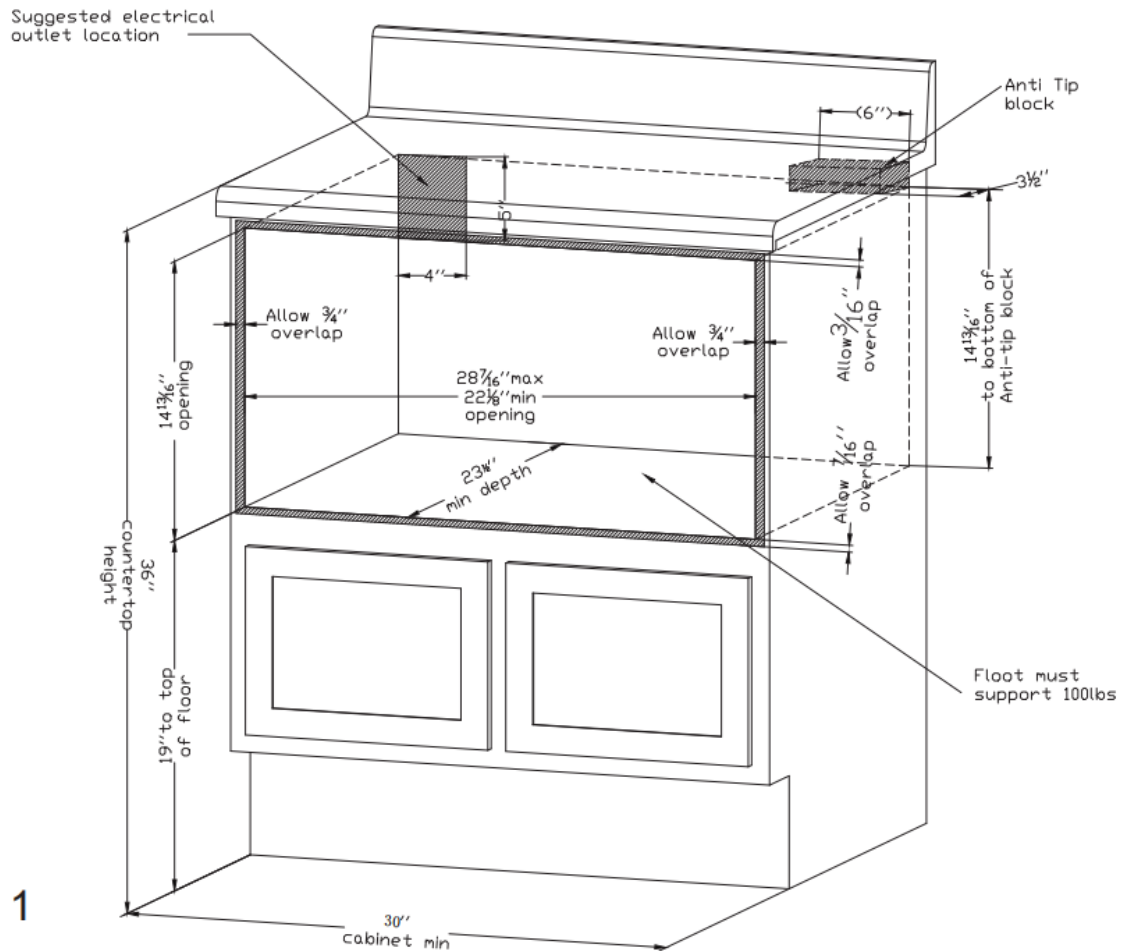


Figure 1

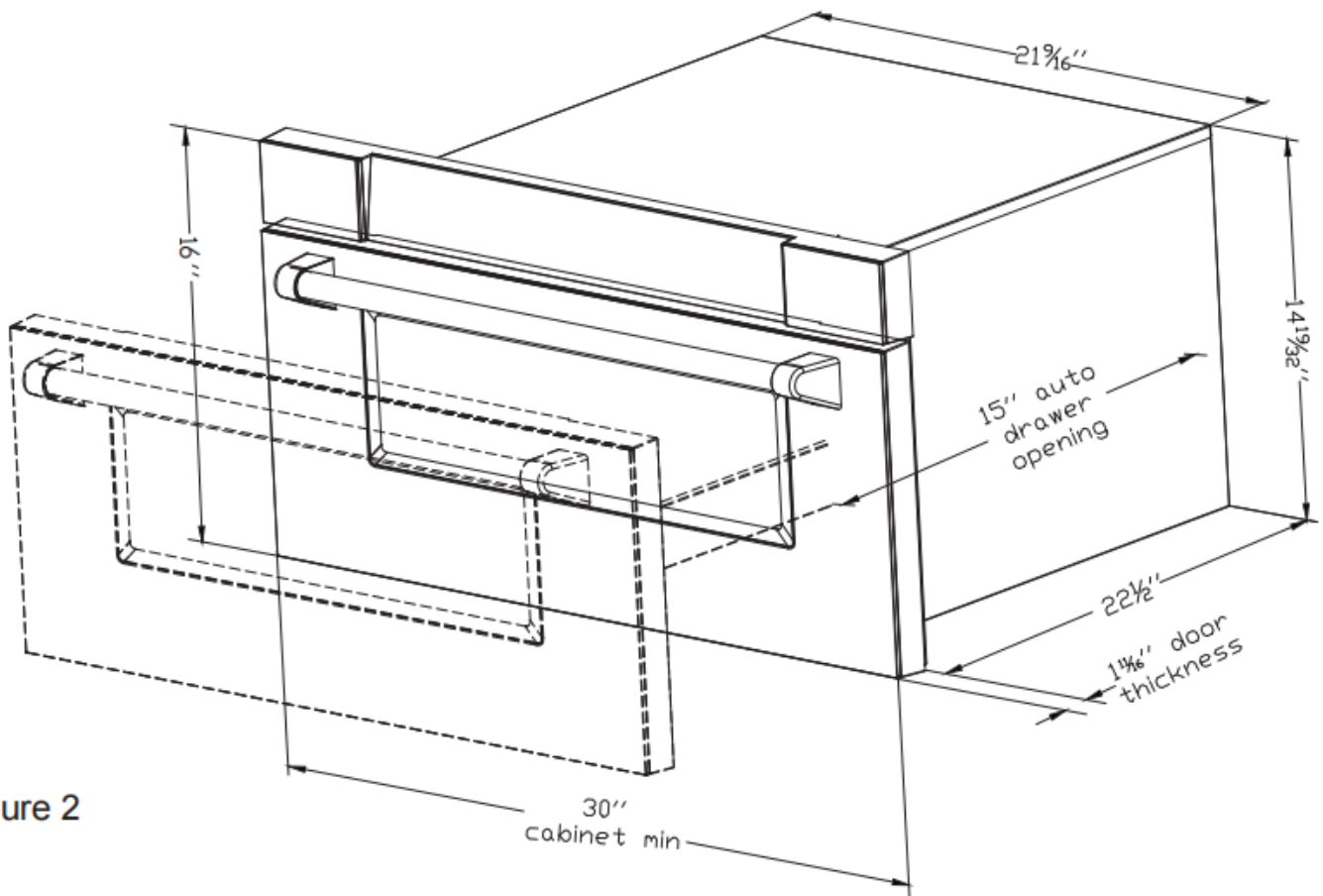


Figure 2

Figures 1 and 2 contain many Microwave Drawer measurements for reference when planning the drawer's location. This Microwave Drawer can be installed below any electric or gas wall oven. *Can also be installed using an electrical outlet in an adjacent cabinet within the area where tire provided electrical cord can reach. Power cord access hole in cabinet should be a minimum 1 1/2" diameter hole and debarred of all sharp edges.

NOTE

Always allow sufficient power cord length to the electrical outlet to prevent tension Always check electrical codes for requirements.

ANTI-TIP BLOCK

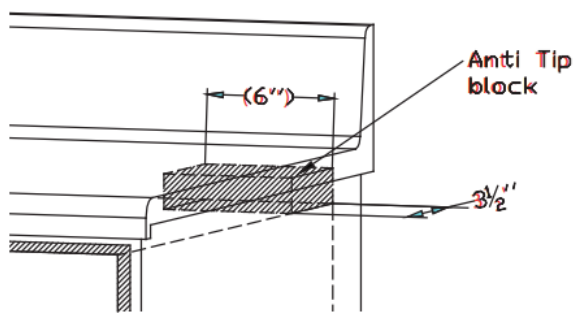


Figure 3

ELECTRICAL OUTLET

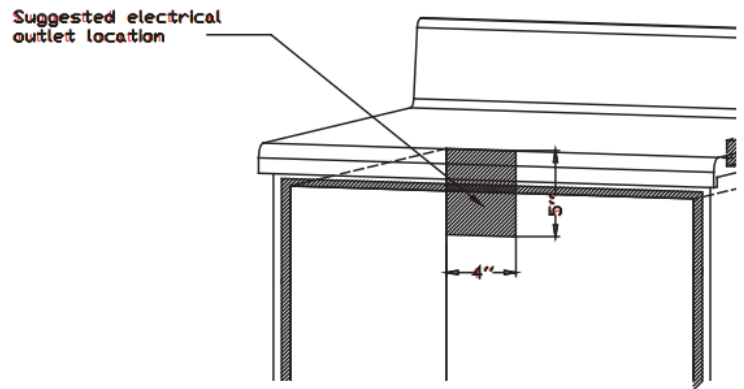


Figure 4

NORMAL INSTALLATION STEPS

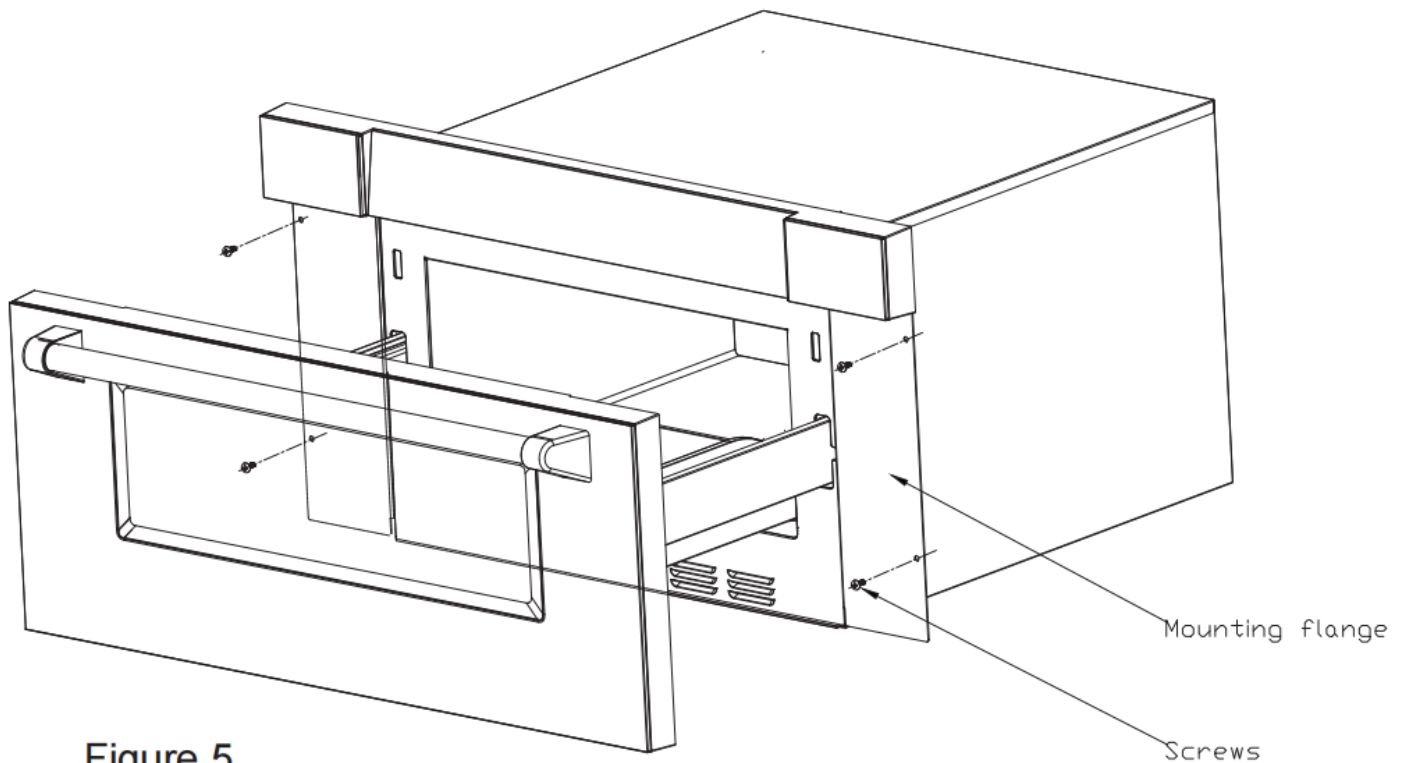
ANTI-TIP BLOCK INSTALLATION INSTRUCTIONS

To reduce the risk of tipping of the drawer, the Anti-Tip block must be properly installed located 14 inches above the floor on which the Microwave Drawer will sit. The 6-inch Anti-Tip block must be provided by the installer. See Figures 1 and 3. The Anti-Tip block prevents serious injury that might result from spilled hot liquids. If the Microwave Drawer is ever moved to a different location, the Anti-Tip block must also be moved and installed. When installed to the wall make sure that the screws completely penetrate the dry wall and are secured in wood or metal so that the block is totally stable. When fastening, be sure that the screws do not penetrate electrical wiring or plumbing. The electrical requirements are a 120 volt 60 Hz, AC only, 15 amp. or more protected electrical supply. It is recommended that a separate circuit serving only this appliance be provided. The drawer is equipped with a 3-prong grounding plug, It must be plugged into a wall receptacle that is properly installed and grounded. Should you only have 2-prong outlet, have a qualified electrician install a correct wall receptacle.

Note: If you have any questions about the grounding or electrical Instructions, consult a qualified electrician or service person.

*Can also be installed using an electrical outlet in an adjacent cabinet within the area where the provided electrical cord can reach. Always check electrical codes, for requirements.

Drawer Installation



1. Place the drawer adjacent to the wall or cabinet opening. Plug the power supply cord into the electrical outlet.
2. Carefully guide the drawer into the prepared opening. Avoid pinching the cord between the oven and the wall.
3. Slide the drawer all the way until the mounting flange is flush with the face of the cabinet. See Figure 5.
4. Open the drawer. Using the 4 holes on the drawer as a template, pre drill the cabinet using a 1/16" bit. See Figure 5.
5. Secure the drawer with the 4 screws supplied. See Figure 6.

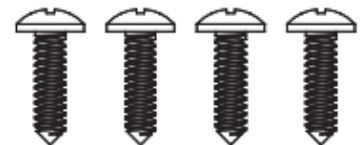


Figure 6

MODEL AND SERIAL NUMBER LOCATION

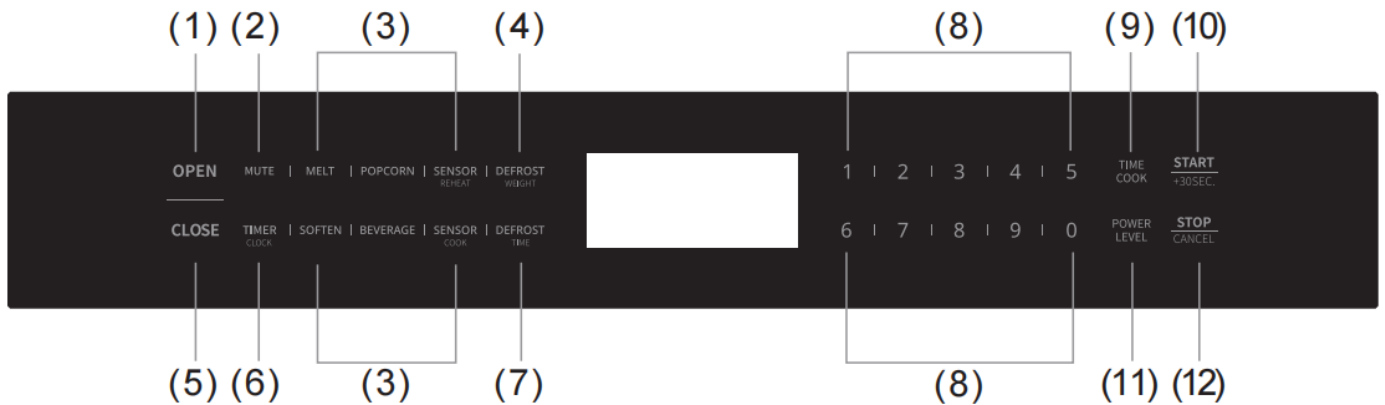
The name plate includes model and serial number. Open the Microwave Drawer fully. The label is beyond the back wall of the microwave cavity facing up from the flat surface.

CARE, CLEANING AND MAINTENANCE

Refer to the Operation Manual for cleaning instructions.

Operation

Control Panel and Features



1. Open
2. Setup
3. Auto Menu
4. Defrost Weight
5. Close
6. Timer/Clock

7. Defrost Time
8. Number keys
9. Time Cook
10. Start/ +30sec.
11. Power Level
12. Stop/Cancel

1. Clock Setting

- (1) Press "TIMER/CLOCK" button twice. "12:00" will flash.
- (2) Press number keys to set the clock, it should be within 1:00-12:59.
- (3) Press "START+30SEC." or "TIMER/CLOCK" to finish the setting.

Note: In the process of clock setting, if the "STOP/CANCEL" button is pressed or if there is no operation within 1 minute, the oven will go back to former setting automatically.

2. Kitchen Timer

- (1) Press "TIMER/CLOCK" button once. "00:00" will display.
- (2) Press number keys to set the clock, it should be within 00:01-99:99.
- (3) Press "START+30SEC." to start counting down.

3. Time Cook

10 power levels are available.

Level	10	9	8	7	6	5	4	3	2	1
Power	100%	90%	80%	70%	60%	50%	40%	30%	20%	10%
Display	L10	L09	L08	L07	L06	L05	L04	L03	L02	L01

- (1) Press "TIME COOK" button once. "00:00" will display.
- (2) Press number keys to set the cook time, it should be within 00:01-99:99.
- (3) Press "POWER LEVEL" once, and then to confirm and then press "POWER LEVEL" repeatedly or press number key to set the power level.
- (4) Press "START+30SEC." to start cooking.

4. Add 30Sec

- (1) In waiting state, instant cooking at 100% power level with 30 seconds' cooking time can be started by pressing "START/+30SEC". Each press on the same button will increase cooking time by 30 seconds.
- (2) During microwave and defrost by time, "START/+30SEC." can be pressed to increase cooking time. Each press will increase 30 seconds.

5. Weight Defrost Function

- (1) Press "DEFROST WEIGHT" button. Screen displays the defrost icon. And "0.0 lbs" will light.
 - (2) Press number buttons to input the weight to be defrosted. The input weight should be between 0.1-6.0 lbs.
 - (3) Press "START/+30SEC." to start defrosting. Buzzer sounds once.
- Note:** The buzzer will sound twice to remind you of turning over the food during defrosting.

6. Time Defrost Function

- (1) Press "DEFROST TIME" button. Screen displays defrost icon. And "00:00" will light.
 - (2) Press number buttons to enter the defrosting time between 00:01-99:99.
 - (3) Press "START/+30SEC." to start defrosting.
- Note:** The defrosting power level is L03. it cannot be changed. The buzzer will sound twice to remind you of turning over the food during defrosting.

7. Popcorn

(1) Press "POPCORN" to start cooking directly.

8. Sensor Reheat

(1) In waiting state, press "Sensor Reheat" once, "Sr-1" will display.

(2) Press "Sensor Reheat" repeatedly or press "1-4" to choose the menu.

(3) Press "START+30SEC:" to start cooking.

PASTA	Sr-1
PIZZA	Sr-2
PLATE	Sr-3
SOUP	Sr-4

9. Sensor Cook

(1) In waiting state, press "Sensor Cook" once, "Sc-1" will display.

(2) Press "Sensor Cook" repeatedly or press "1-7" to choose the menu.

(3) Press "START+30SEC:" to start cooking.

Potato	Sc-1
Chicken	Sc-2
Fish	Sc-3
Ground Meat	Sc-4
Fresh Veggies	Sc-5
Frozen Veggies	Sc-6
Canned Veggies	Sc-7

10. Beverage

- (1) In waiting state, press "Beverage" once,"1";"01:30" will display.
- (2) Press "Beverage" repeatedly or press "1" or "2" to choose the menu.
- (3) Press "START+30SEC." to start cooking.

11. MELT

- (1) In waiting state, press "MELT" once,"1 buTT" will display.
- (2) Press "MELT" repeatedly to choose the menu.
- (3) Press "1" or "2" to choose the correspond weight. (4) Press "START+30SEC." to start cooking.

Menu	Display	Weight
Butter/Margarine	1 buTT	1(STICK)
	2 buTT	2(STICK)
	3 buTT	3(STICK)
Chocolate	4 oz Choc	4 oz
	8 oz Choc	8 oz
Cheese	8 oz CHEE	8 oz
	16 oz CHEE	16 oz

12. SOFTEN

- (1) In waiting state, press "SOFTEN" once,"1 buTT" will display.
- (2) Press "SOFTEN" repeatedly to choose the menu.
- (3) Press "1" or "2" to choose the correspond weight.
- (4) Press "START+30SEC." to start cooking.

Menu	Display	Weight
Butter	1 buTT	1(STICH)
	2 buTT	2(STICHS)
	3 buTT	3(STICHS)
Ice cream/ Frozen juice	8 oz ICE	8 oz
	16 oz ICE	16 oz
	32 oz ICE	32 oz
Cream Cheese	3 oz CHEE	3 oz
	8 oz CHEE	8 oz

13. Multiple Cook

- (1) In waiting state, press "DEFROST WEIGHT" once, "0.0 lbs" will display.
- (2) Press number buttons to input the weight to be defrosted.
The input weight should be between 0.1-6.0 lbs.
- (3) Press "TIME COOK" button once. "00:00" will display.
- (4) Press number keys to set the cook time, it should be within 00:01-99:99.
- (5) Press "POWER LEVEL" once, and then press "POWER LEVEL" repeatedly or press number key to set the power level.
- (6) Press "START+30SEC." to start cooking.

Note: The defrost function only could be one stage of the multiple cook. Two stage cook can be set at most.

14. Buzzer On/Off

To enter silent mode

Press "MUTE" button. Screen displays silent icon.

To cancel silent mode

In silent mode, press "MUTE" button.the buzzer will sound twice.

15. LOCK FUNCTION FOR CHILDREN

Lock: In waiting state, press "STOP/CANCEL" for 3 seconds, the oven will enter into the children-lock state. Screen will display "Loc".

Lock quitting: In locked state, press "STOP/CANCEL" for 3 seconds to release the lock. Screen will display "UnLo".

16. ECO MODE

To enter eco mode

when the oven door is closed, in waiting state, if there is not any operations in 1 minute.

To cancel eco mode

In eco mode, open the door or press any key to cancel it.

17. INQUIRING FUNCTION

- (1) In cooking state, press "TIMER/CLOCK" button to check the clock. The current time will display for 3 seconds at most.

18. Open/Close the oven door

(1) To open the oven door

In the oven door closed state, press "OPEN" once to open the oven door.

(2) To close the oven door

In the oven door opened state, press "CLOSE" once to close the oven door. Note: During the oven door automatically opens by pressing "OPEN", pressing "OPEN" or "CLOSE" will automatically stop opening the door, and then pressing the "OPEN" or "CLOSE" button again will open or close the oven door.

Maintenance

Troubleshooting

Check your problem by using the chart below and try the solutions for each problem. If the microwave oven still does not work properly, contact the nearest authorized service center

Problem	Possible Cause	Solution
Oven will not start	a. Electrical cord for oven is not plugged in. b. Door is open. c. Wrong operation is set.	a. Plug into the outlet. b. Close the door and try again. c. Check instructions.
Arcing or sparking	a. Materials to be avoided in microwave oven were used. b. The oven is operated when empty. c. Spilled food remains in the cavity.	a. Use microwave-safe cookware only. b. Do not operate with oven empty. c. Clean cavity with wet towel.
Unevenly cooked foods	a. Materials to be avoided in microwave oven were used. b. Food is not defrosted completely. c. Cooking time, power level is not suitable. d. Food is not turned or stirred.	a. Use microwave-safe cookware only. b. Completely defrost food. c. Use correct cooking time, power level. d. Turn or stir food.
Overcooked foods	Cooking time, power level is not suitable.	Use correct cooking time, power level.
Undercooked foods	a. Materials to be avoided in microwave oven were used. b. Food is not defrosted completely. c. Oven ventilation ports are restricted. d. Cooking time, power level is not suitable.	a. Use microwave-safe cookware only. b. Completely defrost food. c. Check to see that oven ventilation ports are not restricted. d. Use correct cooking time, power level.
Improper defrosting	a. Materials to be avoided in microwave oven were used. b. Cooking time, power level is not suitable. c. Food is not turned or stirred.	a. Use microwave-safe cookware only. b. Use correct cooking time, power level. c. Turn or stir food.