



SPEC SHEET

Koolmore Four Pan Open Well Electric Steam Table with Undershaft,

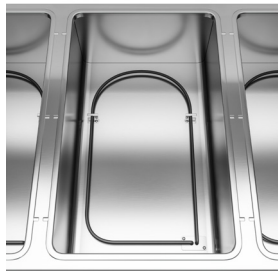
Model: KM-OWS-4

FEATURES

- Large Four Pan Capacity
- Under Shelf Storage
- Independent Heating Control
- ETL Listed for Safety and Sanitation
- Convenient Staff Workspace



CLOSE UP IMAGES



TECHNICAL SPECS

Dimensions

Length	58.1
Width	30.4
Height	34.3
Weightlbs	141.8
Dxwxh Of Sneeze Guard	NA

Capacity

Pan Capacity	4 GN Full-Size Pans
Maximum Depth Of Pans	6.7 in.
Adjustable Pan Dividers	No
Individual Shelf Capacity	110 lbs.

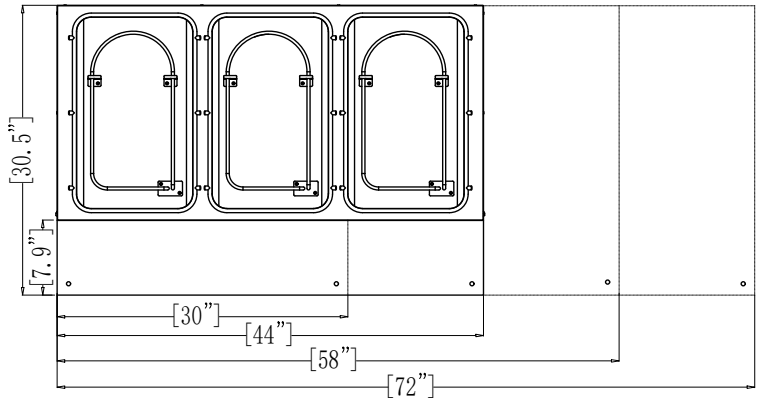
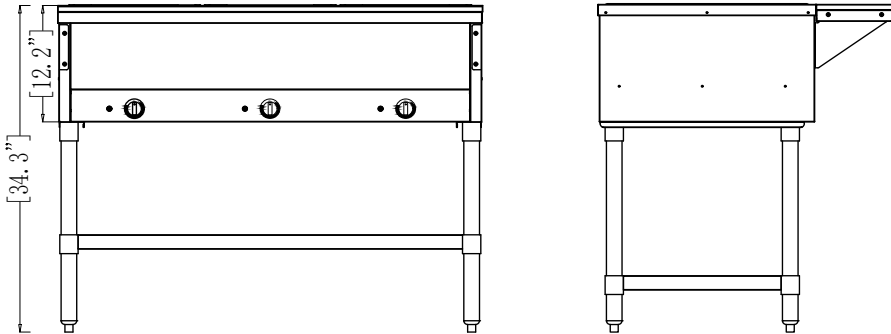
Features & Materials

Temperature Range	86-203 F
Shelf Material Type	Galvanized Steel
Interior Material	Galvanized Steel and Aluminum Silicate
Exterior Material	430 Stainless-Steel
Gauge Of Stainless Steel	20
Color Finish	Stainless-Steel
Legs Adjustable	Yes, 1 in.
Number Of Feet	4
Feet Material	Polymer ABS
Cutting Board	58.1x8 Polyethylene
Feature One	Pans are not included

Electric & Certification

Amps	16.6
Hertz	60
Phase	1
Voltage	120
Wattage	2000
Plug Type	NEMA 5-30P
Power Cord Length	70.1
Certifications	ETL Listed for safety and Sanitation

Plan View



CERTIFICATIONS



Intertek



Intertek



706 Eastern Parkway STE 1G, Brooklyn NY 11213
718-576-6342
info@koolmore.com