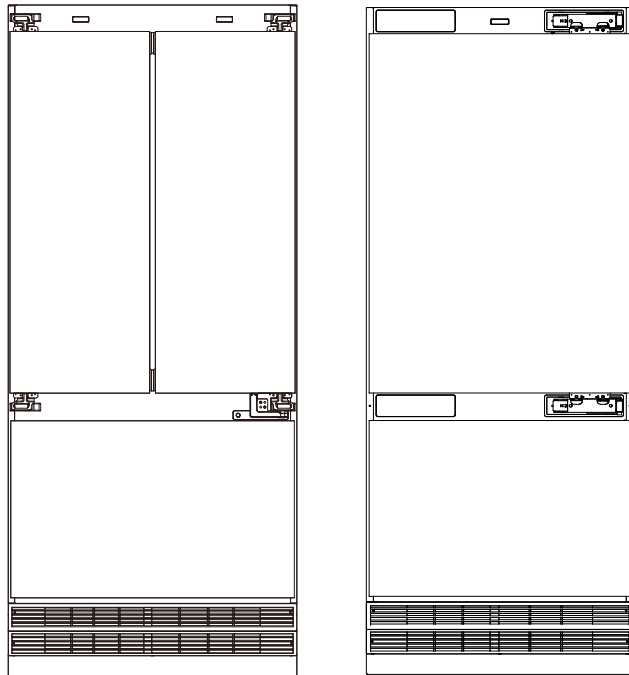


# INSTALLATION MANUAL


KOOLMORE RESERVE

**Panel Ready Refrigerator and Freezer  
With Ice maker, Water dispenser**

**Models:** KM-RER36-FDPR, KM-RER36-SWPR



For any service related  
issues, please contact us:

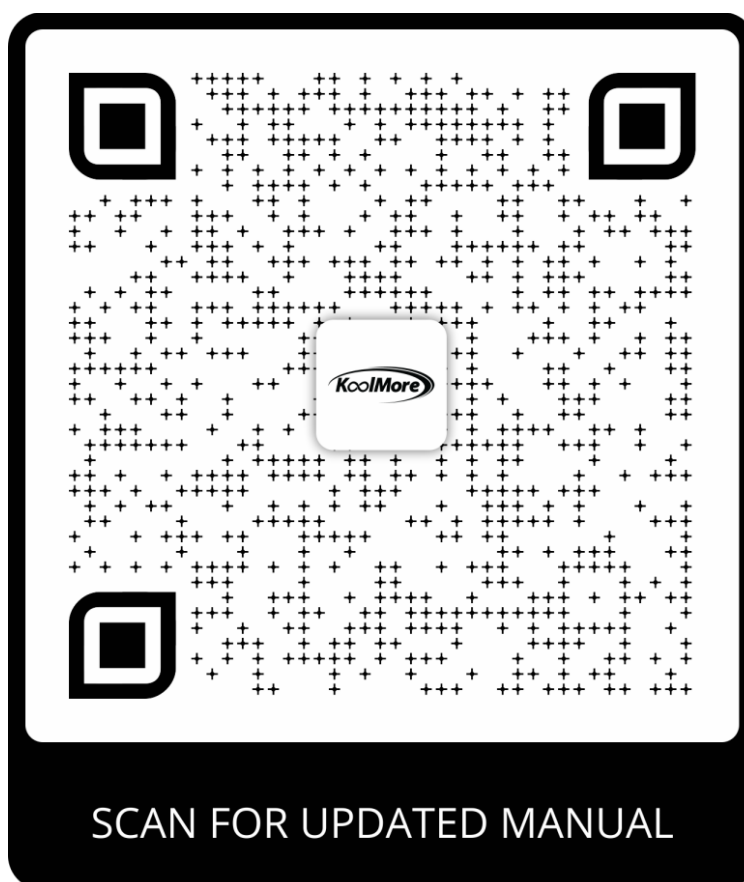
 **718-576-6342**

 **support@koolmore.com**

Before using, please read the operating instructions carefully to  
ensure proper application and achieve satisfactory results.

# Stay informed with the latest information for your KoolMore Reserve Appliance.

Scan the QR code above to access the most recent user manual on our website, which is constantly being updated and improved.



**If you need any assistance or have questions, our customer support team is here to help.**

**P- 718-576-6342 E- [Support@koolmore.com](mailto:Support@koolmore.com)**

Please write down the model number and serial number below for future reference. Both numbers are located on the rating label on the back of your unit or inside of the unit and are needed to obtain warranty service. You may also want to staple your receipt to this manual as it is the proof of your purchase and may also be needed for service under warranty.

Model Number: \_\_\_\_\_

Serial Number: \_\_\_\_\_

Date of Purchase: \_\_\_\_\_

To better serve you, please do the following before contacting customer service:

If you received a damaged product, immediately contact the retailer or dealer that sold you the product.

Read and follow this instruction manual carefully to help you install, use, and maintain your unit.

Refer to the Troubleshooting section of this manual as it will help you diagnose and solve many common issues.

# Contents

<b>Safety .....</b>	<b>4</b>
<b>Specs .....</b>	<b>5</b>
<b>Installation Place .....</b>	<b>6</b>
<b>Tool List .....</b>	<b>8</b>
<b>Preparation For Installation .....</b>	<b>9</b>
<b>Product Dimension .....</b>	<b>12</b>
<b>Unpacking .....</b>	<b>20</b>
<b>Pre-Installation .....</b>	<b>25</b>
<b>Installation To The Cabin .....</b>	<b>28</b>
<b>Furniture Door Preparation .....</b>	<b>39</b>
<b>Installing The Panal Door .....</b>	<b>43</b>
<b>Hinge Adjustment .....</b>	<b>54</b>
<b>Installation Dual Cabin .....</b>	<b>61</b>
<b>Warranty .....</b>	<b>71</b>

# Safety

## Disposing of Packaging Materials

The packaging is designed to protect the product during transport. The materials used are eco-friendly and should be recycled appropriately.

All plastic packaging materials, bags, and similar items must be disposed of safely and kept out of reach of children.

If possible, return the packaging to your dealer for proper handling.

## Installation Safety

This installation manual is intended to assist installation teams. Additionally, the User Manual provided with the product should be reviewed and followed.

Important: Ignoring the warnings in this manual could result in serious injury or damage to the product. Please read all instructions carefully.

## **WARNING: R600a Refrigerant**

This product contains R600a isobutane refrigerant, an eco-friendly and natural gas. However, it is highly flammable. Adhere to the following precautions:

- If the product has been transported horizontally, allow at least 4 hours before plugging it in.
- Ensure the installation area meets the required dimensions and is suitable for the product.
- Verify that the dimensions, features, and positioning of the supporting surface or object are appropriate for securing and operating the product.
- Ensure minimum clearances between the product and surrounding structures are maintained.
- Observe the appropriate dimensions and arrangement of ventilation holes.
- The product must be connected to a suitable mains power supply, and all component connections must comply with safety standards.
- The product should be disconnectable from the power supply after installation.
- The socket or fuse must remain accessible to safely de-energize the product when needed.
- Do not use extension cables or ungrounded (two-terminal) adapters.

## Personal Protective Equipment

Always wear gloves and eye protection during installation.

Take precautions against excessive noise when using drills or similar tools.

## Local Compatibility

Ensure the product is suitable for your local mains power requirements.

## Professional Installation

The product must be installed by a qualified technician in accordance with the provided installation instructions.

**WARNING:** The product is heavy and may tip over if not handled properly. Take necessary precautions to prevent tipping.

Keep the product's doors securely closed during transport and ensure it is positioned in accordance with the installation guidelines.

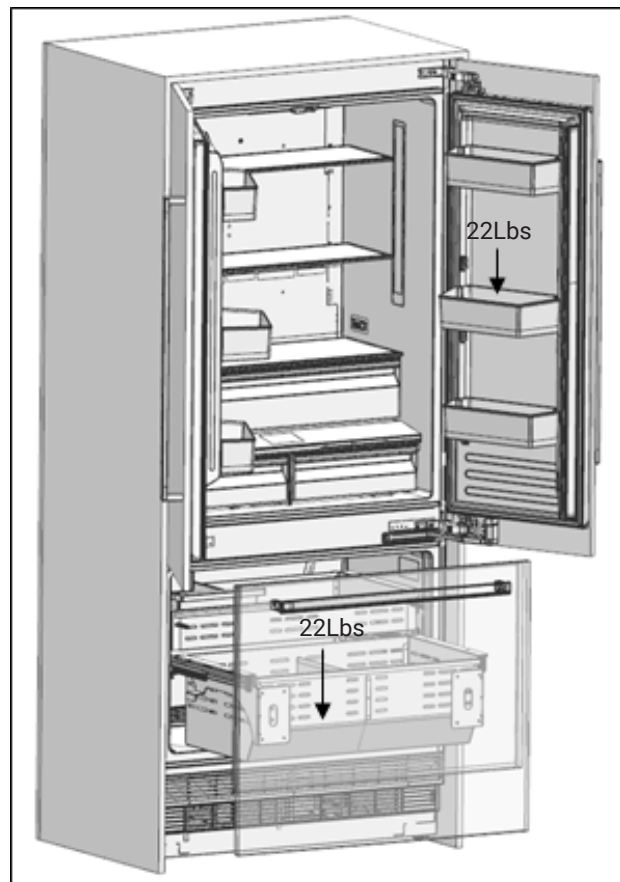
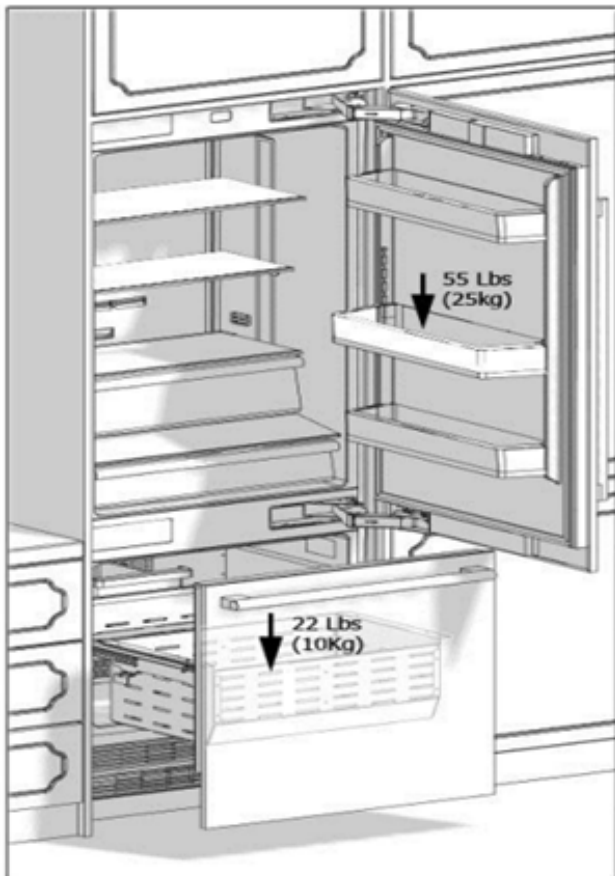
Climate range	Ambient temperature of the room	This appliance has been designed to be used in certain climate ranges (ambient temperatures). It must not be used out of this range.
SN N ST T	Between +50°F (10°C) and +90°F (32°C) Between +60°F (16°C) and +90°F (32°C) Between +60°F (16°C) and +110°F (38°C) Between +60°F (16°C) and +120°F (43°C)	

**Product weight:**

Category	KM-RER36-SWPR	KM-RER36-FDPR
Product weight	373lbs (169kg)	355lbs (161kg)

**Load bearing capacity of the doors**

Max load	KM-RER36-SWPR	KM-RER36-FDPR
Fridge door	55lbs (25kg)	22lbs (10kg)
Freezer door	22lbs (10kg)	22lbs (10kg)



## Installation Place

You must adhere to the following instructions for installing the product:

- **Weight Capacity:** The floor must be capable of supporting at least 1,200 pounds (544 kg).
- **Leveling:** The kitchen floor should be level with the bottom of the product to ensure proper air suction.
- **Clearance:** Ensure there are no obstructions at the back or on the sides of the installation area.
- **Electrical:** The power socket must be correctly positioned and easily accessible in case of emergencies. Do not position the socket behind the product or allow the plug or cable to touch the product's back surface to prevent damage from vibration. Avoid connecting other appliances' plugs behind this product.
- **Furniture Dimensions:** The dimensions of the cabinet or space where the product will be installed must match those specified in the manual.
- **Dual Cabin Installation:** Do not install the fridge and freezer units adjacent to each other to prevent condensation and damage. Refer to "Dual Cabin Installation" for more details.
- **Floor Flatness:** Verify the floor's flatness using a Bubble Level Tool.

### Environmental Conditions:

- Avoid direct sunlight and proximity to heat sources like ovens, radiators, etc.
- Maintain an ambient temperature between 55°F (13°C) and 110°F (43°C) to prevent operational errors.
- If installation near a heat source is unavoidable, maintain these clearances:
  - 1 1/4" (3 cm) from electric hobs or ovens
  - 12" (30 cm) from gas or fuel-operated hobs or ovens
- **Humidity and Corrosion:** In high-humidity environments, keep the installation area dry and clean to prevent corrosion on the product's exterior.

### To Avoid the Risk of Electric Shock:

- Connect the plug to a grounded 3-pin socket.
- Do not remove the ground terminal of the plug.
- Do not use adapters or extension cables.

### ATTENTION:

Failure to follow these instructions can lead to death, fire, or electric shock. Improper grounding of the equipment can cause electric shock. If in doubt about the grounding, have it checked by a qualified electrician or service technician.

Installation, repairs, and other procedures by unqualified individuals can be hazardous. Before installation, verify that the voltage, load, and current specifications on the data plate match your home's power supply.

The appliance comes with a NEMA 5-15 P plug and a 3-pin UL-listed cable for a 120 V, 60 Hz supply with a 15 A fuse. It must be connected to a 3-pin socket. If your home's electrical wiring requires modification, this must be done by a qualified electrician.

### Installation Precautions:

Do not install the refrigerator:

- In open areas
- Where water might drip

- In environments where the temperature is below 55°F (13°C)

**Furniture:**

Ensure the furniture where the appliance will be installed is securely mounted in your kitchen. It should be properly connected to both the floor and wall.

For optimal installation, adhere to the clearances specified in the installation instructions between the product and furniture. Side walls should be flat with no gaps, and their minimum thickness should be 5/8" (16 mm). Similarly, any doors attached to the product must also have a minimum thickness of 5/8" (16 mm).

**Ventilation:**

Ensure that the vent holes where air enters and exits the unit are not blocked or obstructed. Regularly clean dust and dirt from these vent holes to maintain proper airflow.

**Electrical Connection:**

Never use an extension cable.

The power socket must be grounded and checked by an authorized person.

Electrical wiring must be installed according to the dimensions specified in the manual.

**Attention: Risk of Electric Shock**

Electrical grounding is crucial for safety. The appliance has a three-pin plug for protection against electric shock.

Do not remove the round grounding terminal from the plug.

Do not use two-pin grounding adapters.

Do not use extension cables for the product.

**Warning:**

Wait for 3-6 hours before energizing the product to allow the refrigerant and lubricants to stabilize, preventing potential damage.

**Water Connection:**

The pressure of the mains water must match the values specified in the manual.

The location of the water system must comply with the dimensions in the manual.

**Important Information:**

If a reverse osmosis system is used, a bypass is recommended for the water filtering system.

# Tool list

Tools to be used when installing the product are as follows:



Cordless Drill



Safety Goggles



1/2" Wrench



Hammer



Ladder



Ø2,4 Drill bit



Ø8.0 Drill bit



Box Cutter



Safety Gloves



Tape measure



Star bit



1/4" Wrench Flat



Bubble Level Tool



Wheelbarrow



Tape



Flat Head bit



Plum groove bit

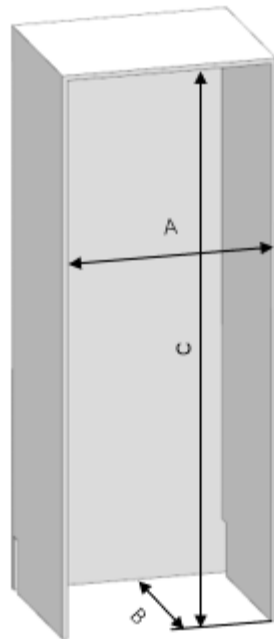
## PREPARATION FOR INSTALLATION

The instructions below have been prepared according to Built-in type.  
between the two kitchen cabinets or decorative columns.  
This is the most common installation scenario.

### Cabin Dimensions

- Cabin dimensions below must be checked before starting the installation.

Category		KM-RER36-SWPR	KM-RER36-FDPR
A	width	36" (914mm)	36" (914mm)
B	depth	25" (635mm)	25" (635mm)
C	height	84" (2134mm)	84" (2134mm)



## Location of the electrical wiring

Location of the electrical wiring must be within the position range given below.

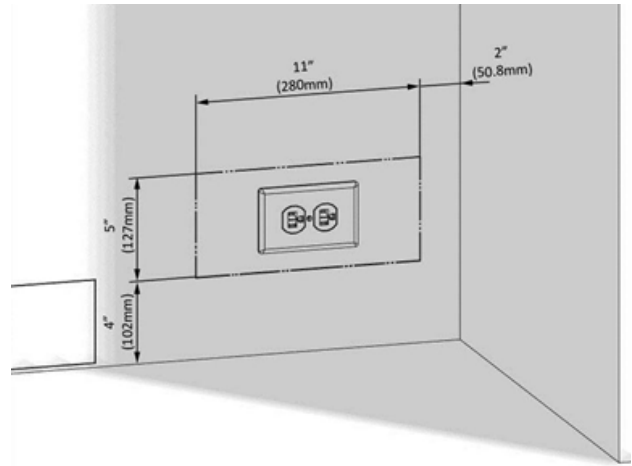
### ATTENTION:

Do not use extension cables or two-pin adaptors and do not remove the ground terminal of the grounding cable.

### ATTENTION:

A qualified electrician must ensure that the poles of the socket are connected correctly.

Verify that the grounding of the socket is correct.



## Location of the Water System

**Water Quality:** The water connected to the water mains must be potable.

**Installation Location:** The water system must be installed within the specified range.

**Connection:** The refrigerator's water system should be connected directly to the house's water mains system.

**Accessibility:** Ensure that the user can easily access and operate an on/off valve for the water supply to the refrigerator.

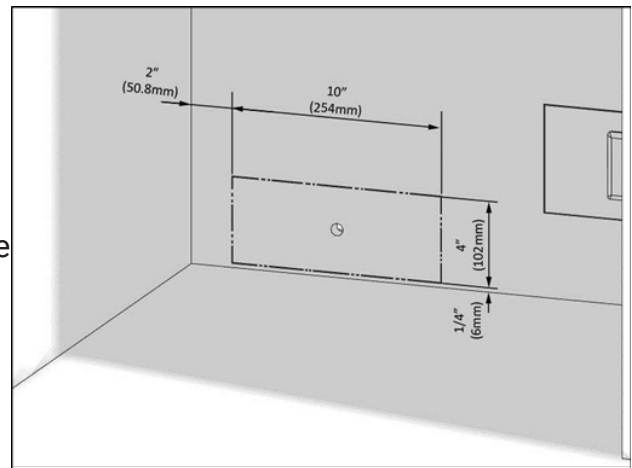
**Safety Precautions:**

Avoid installing the water line near objects that could pierce or twist the water hoses.

The water pressure must be maintained between 25-80 psi (1.7-5.5 Bar).

If your water pressure exceeds 80 psi, you must install a pressure limiting device or a water impact protector at the inlet valve.

Do not install or operate the refrigerator if the water pressure could exceed 120 psi.



### WARNING:

**Check for Leaks:** Ensure there are no water leaks when connecting the water system to avoid water damage to the floor and furniture.

**Hose Specifications:**

**Length:** Minimum 60 inches.

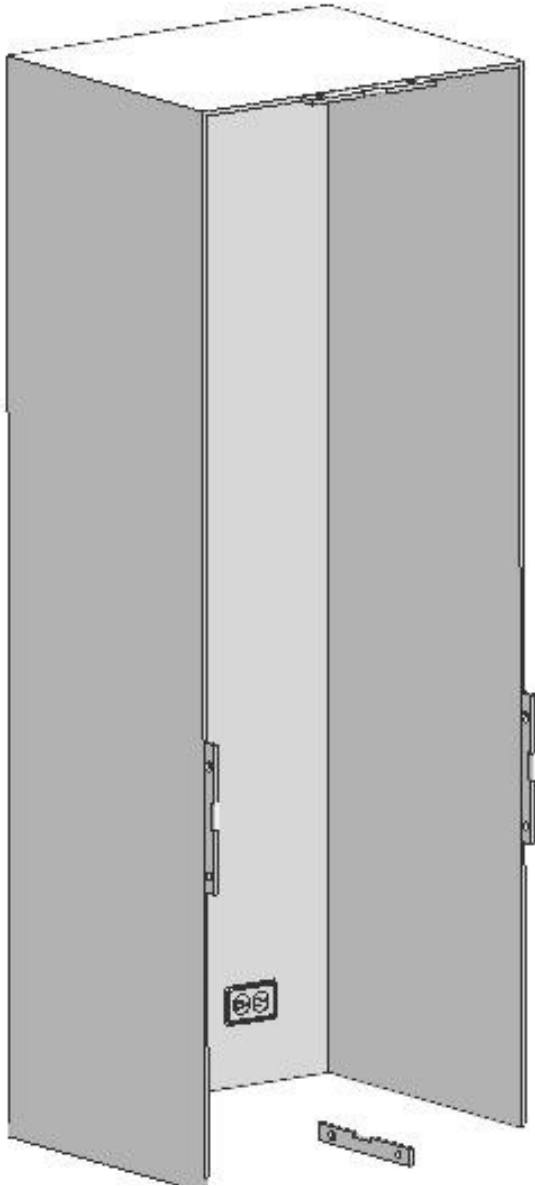
**Diameter:** ¼ inch.

**Connector:** Use a connector with an external thread diameter of ¼ inch to attach the hose to the product.

**Final Check:** Before finishing the installation, verify that the water flows correctly

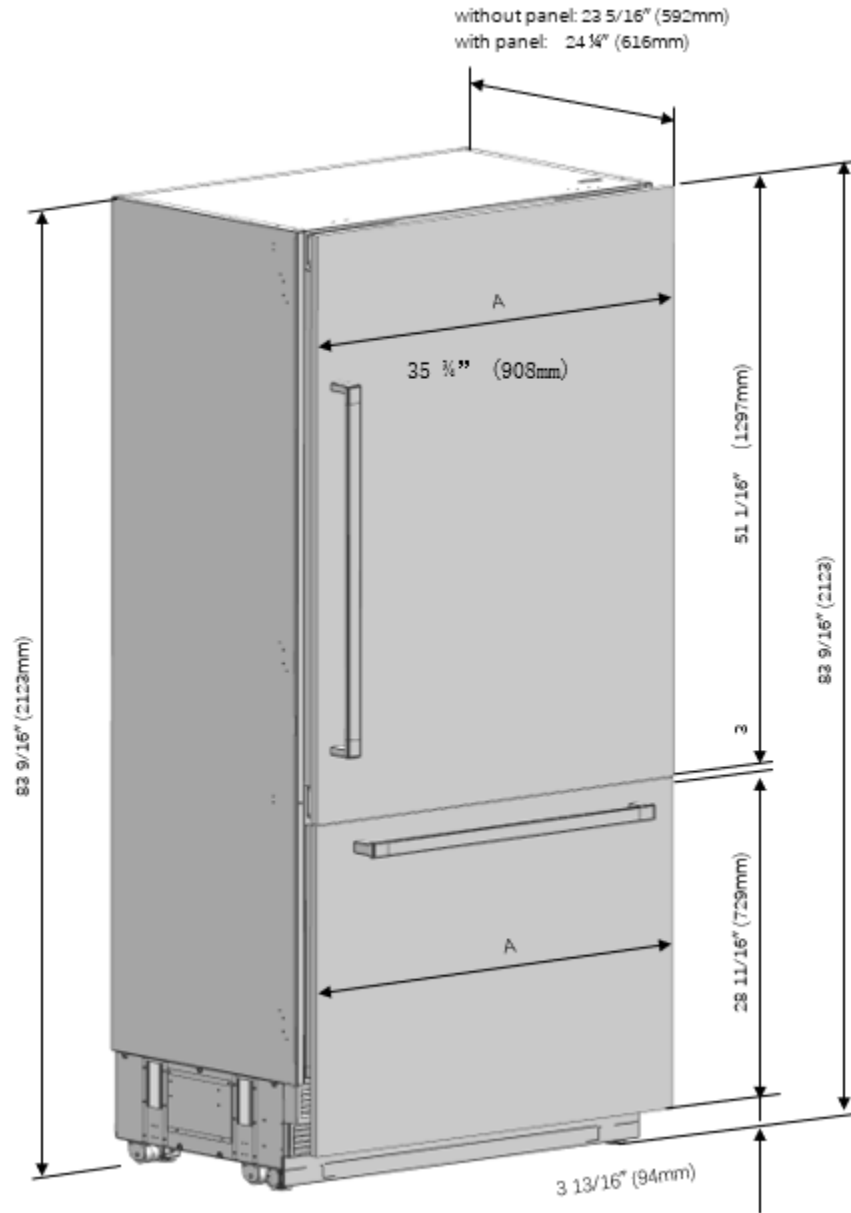
**WARNING:**

Flatness of the floor where the product will be installed must be checked with a Bubble Level Tool.  
Uprightness of the furniture flanges must be checked with a Bubble Level tool.  
If the flatness and uprightness of the product is not proper, problems may arise with the installation.



# PRODUCT DIMENSION

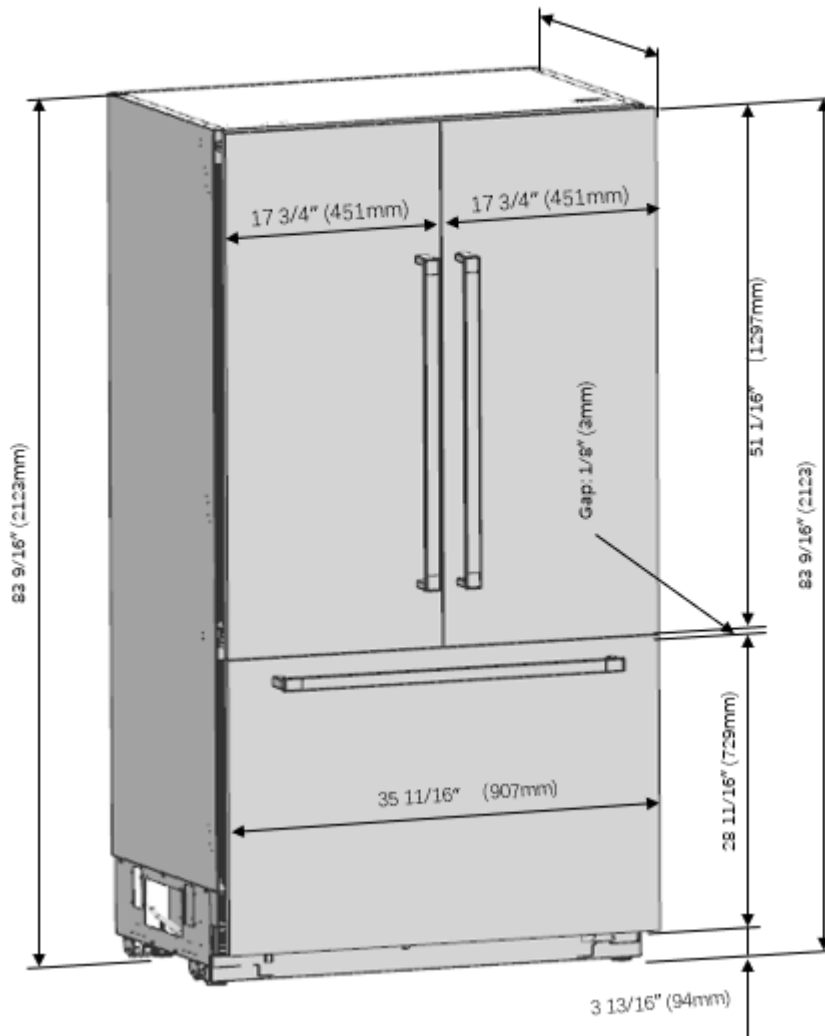
KM-RER36-SWPR



# PRODUCT DIMENSION

KM-RER36-FDPR

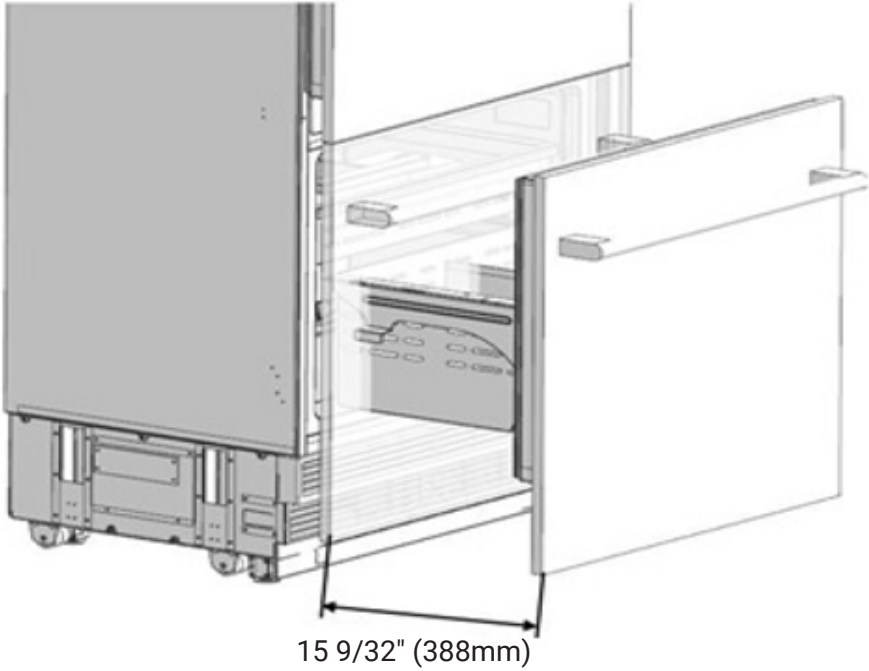
without panel: 23 5/16" (592mm)  
with panel: 24 3/4" (616mm)



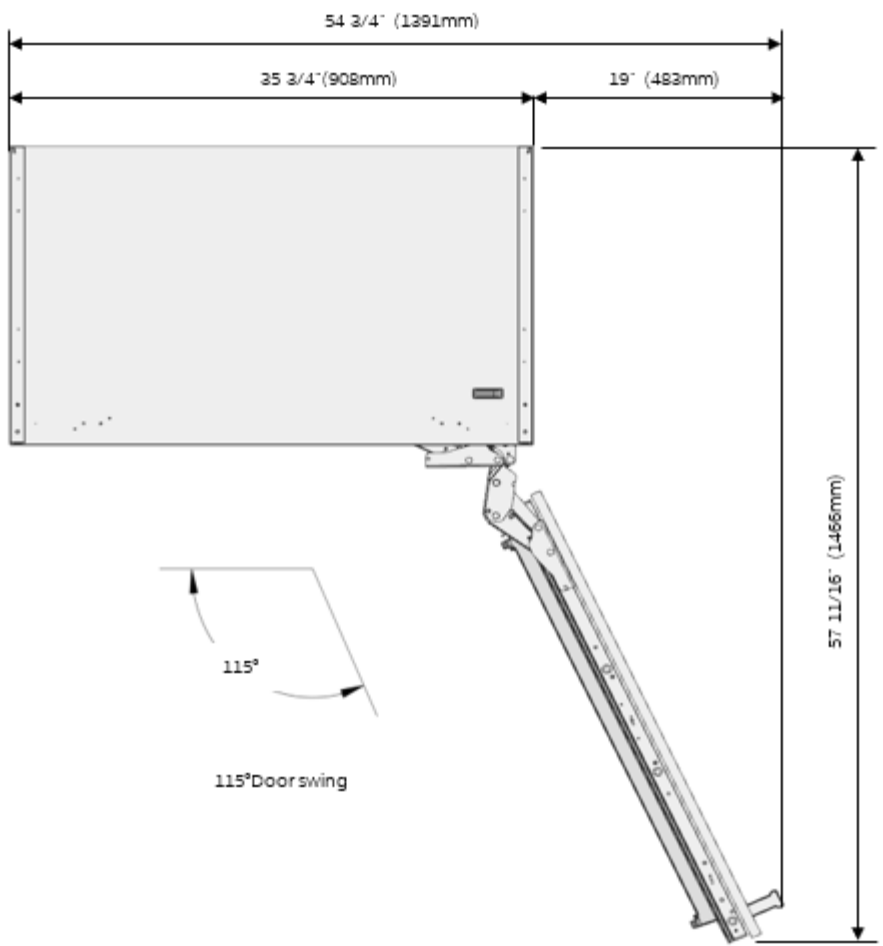
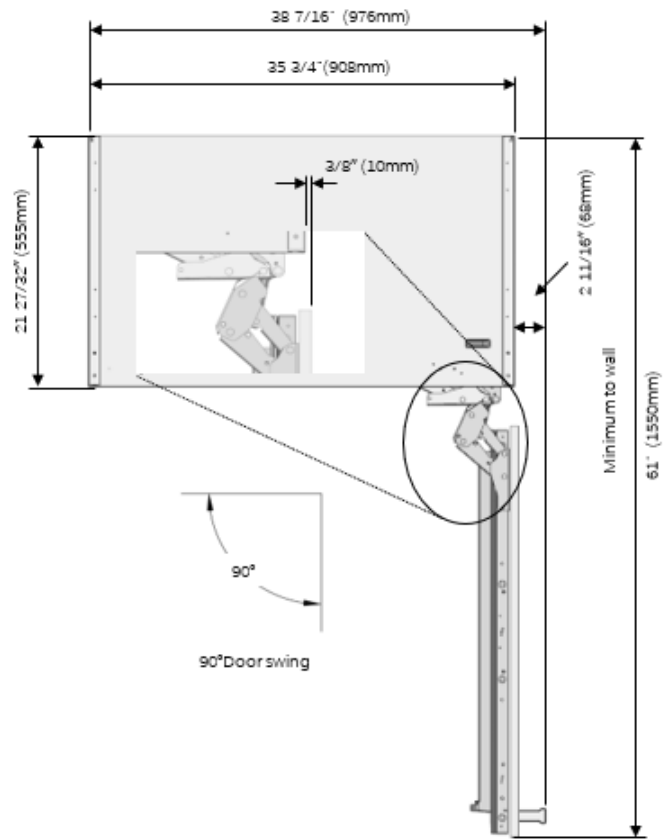
**Drawer**

KM-RER36-SWPR

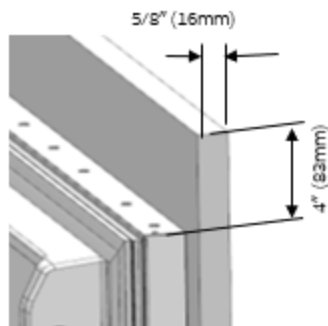
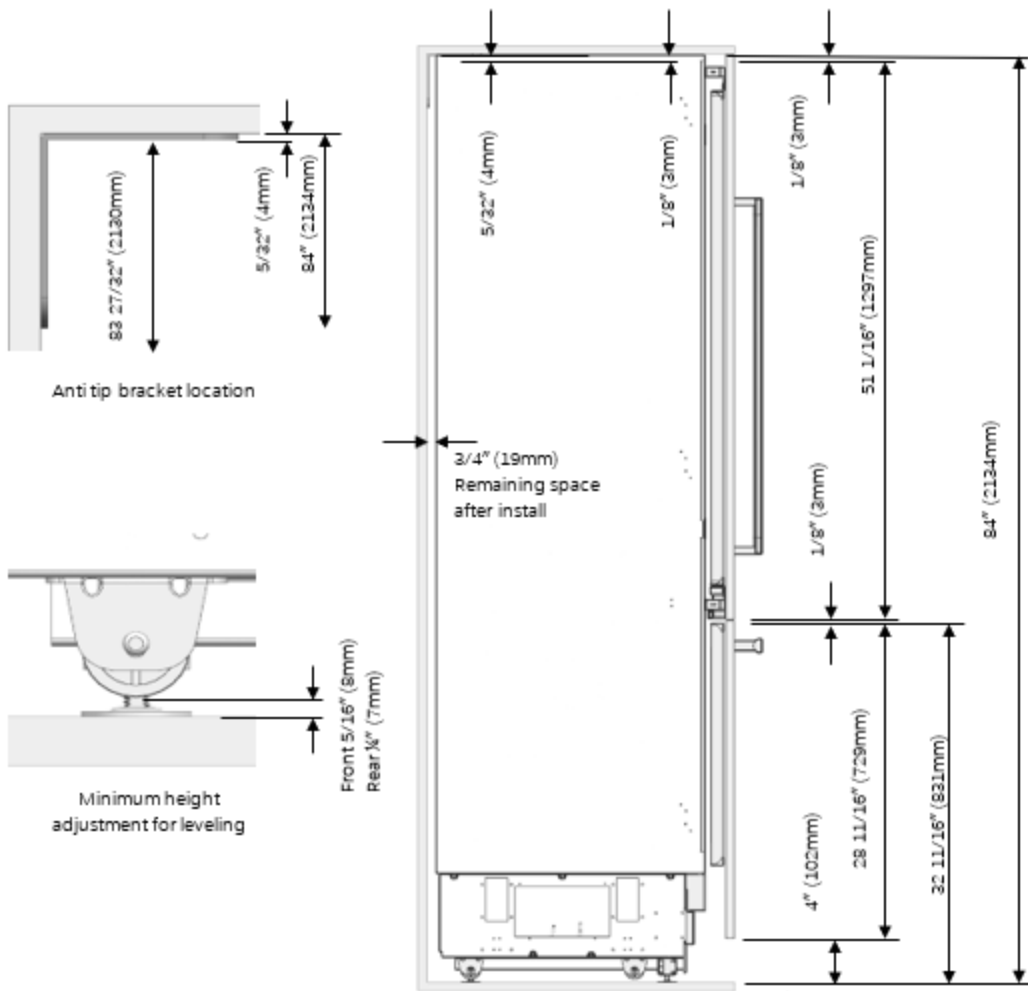
KM-RER36-FDPR



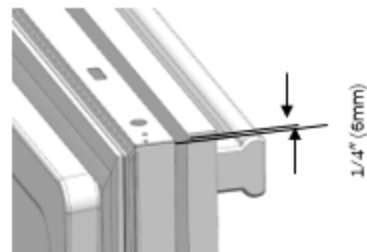
KM-RER36-SWPR



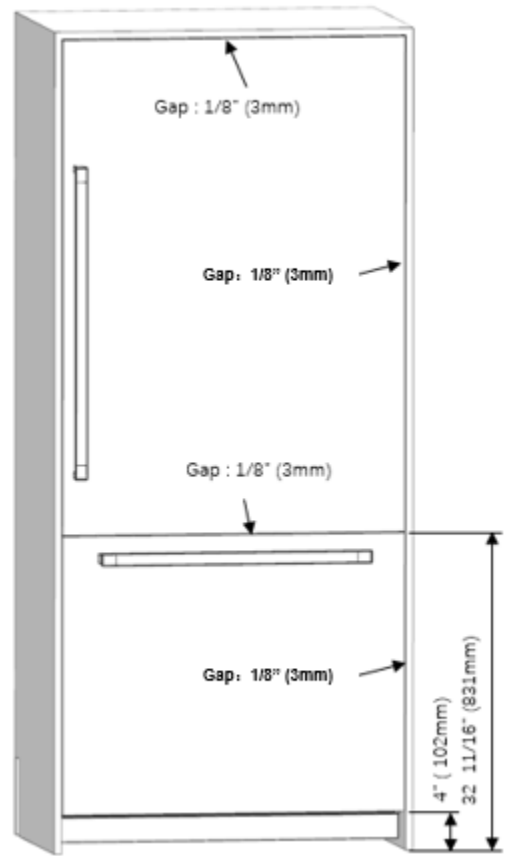
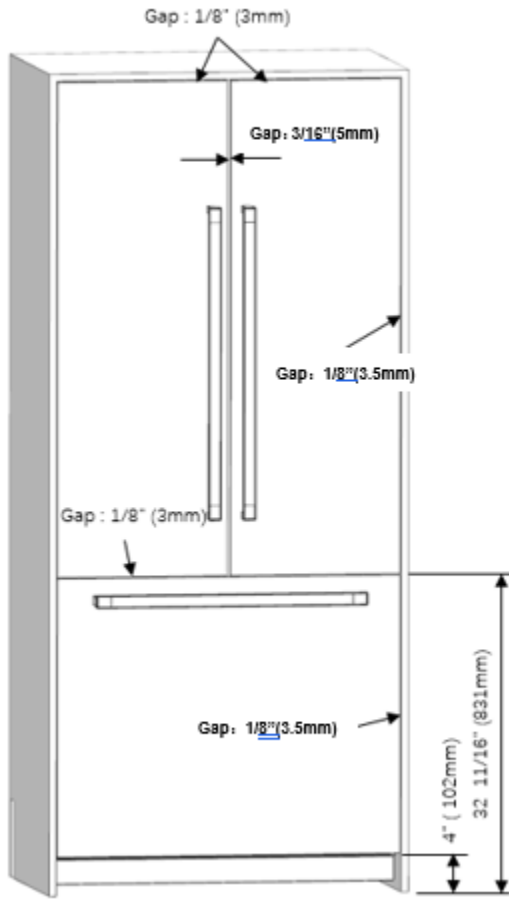




Assembly dimension between Wood panel and fridge door

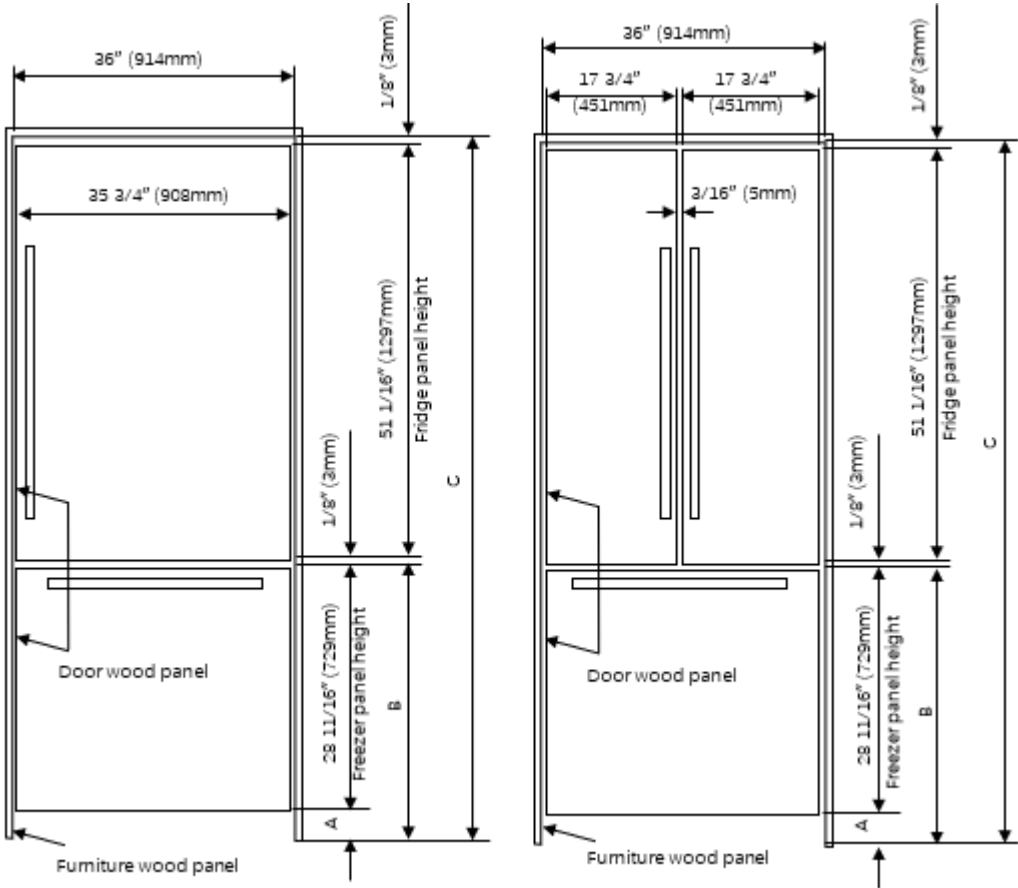


Assembly dimension between Wood panel and freezer door



**Height of the kitchen countertop based on the min/max. height of the cabin.**

	A	B	C
standard	4" (102mm)	32 11/16" (831mm)	84" (2134mm)
minimum	3 13/16" (97mm)	32 1/2" (826mm)	83 13/16" (2129mm)
maximum	5 3/8" (137mm)	34 1/8" (866mm)	85 3/8" (2169mm)



## Unpacking

### WARNING:

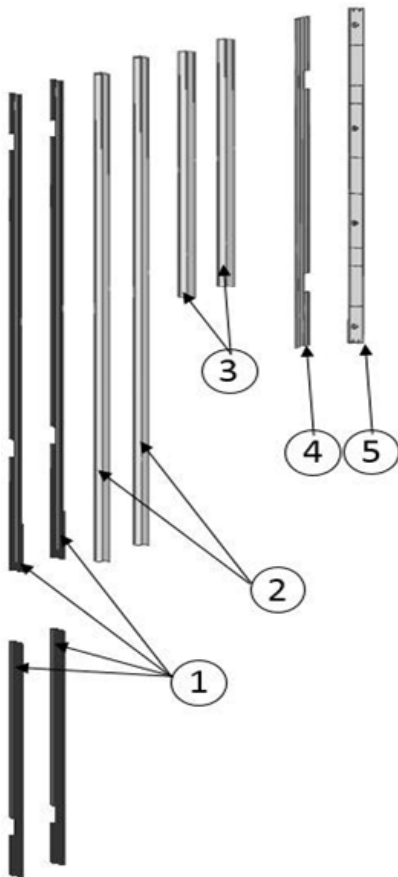
At least two persons must carry the refrigerator.



- Use a box cutter to remove the tapes.
- Cut the Packaging Board with a Box Cutter through the section illustrated in dotted lines and remove it.
- Remove the Packaging foam material.

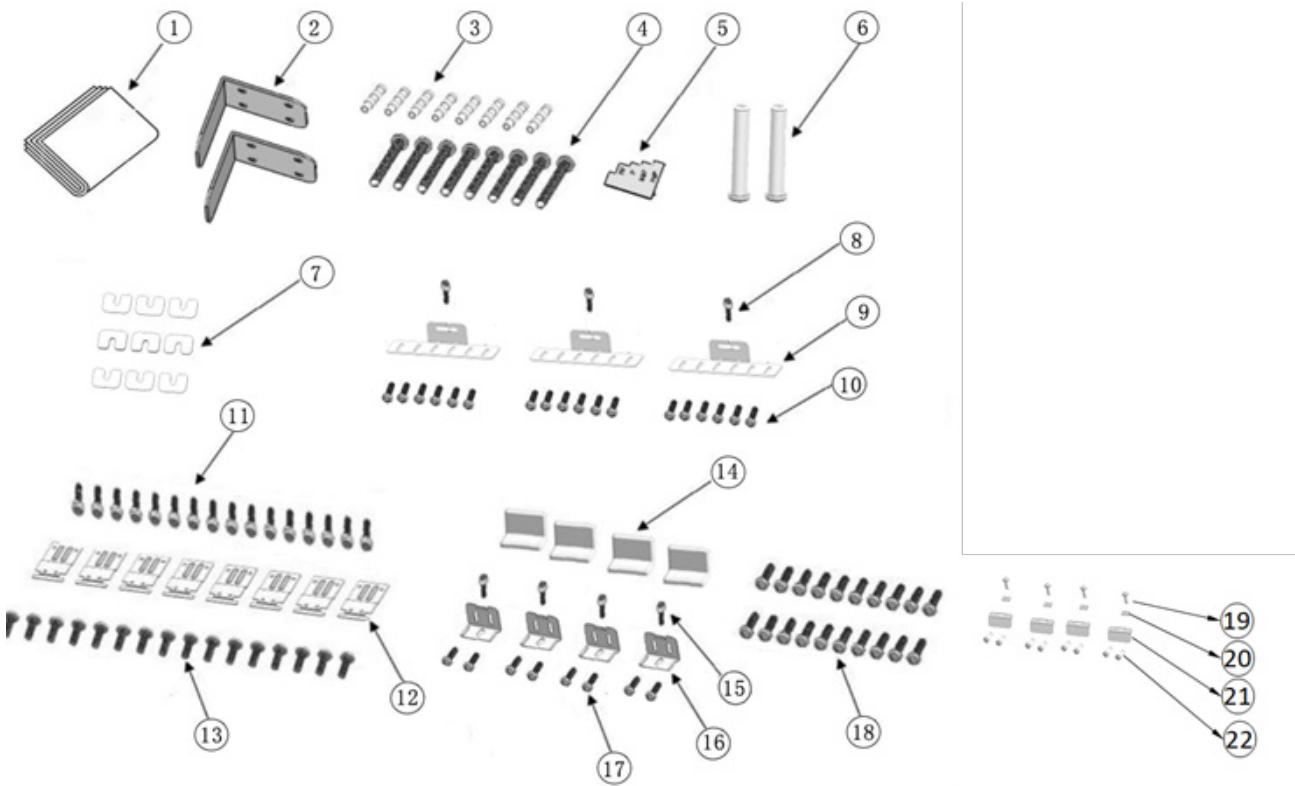
**ATTENTION:** Do not remove the tape of the upper door on the product until the refrigerator is placed into the cabin there is a risk of tipping over.

- Removing connectors on the rear wall



No	Part name	spec	SWPR	FDPR
1	Trim fridge furniture side	PVC extrusion L=617, L=1,259	4	4
2	Trim fridge door side	PVC extrusion L=1136	2	4
3	Trim freezer door side	PVC extrusion L=556	2	2
4	Trim furniture top	PVC extrusion L=762, L=914	1	1
5	Cover freezer door top	abs	1	1

- Removing mounting Parts in the Freezer Compartment
- Open the freezer compartment door and remove the mounting boxes and documents in the crisp-er.



No	Part name	spec	SWPR	FDPR
1	Furniture door preparation template	plastic	1	2
2	Anti tip bracket	T4.0, Zn-coating	2	2
3	Dowel	-	8	8
4	Anti tip bracket screws	M8*L60	8	8
5	Position adjustment jig	PS	1	1
6	90° limiting pins	sus	1	2
7	Freezer furniture door adjustment washer	abs	9	9
8	Screw freezer door hanger bracket	ST5*16, Crossed flat head tapping screws	3	3
8-1	Shim	M5*12*1.2	3	3
9	Freezer door hanger bracket	T1.0, Cr+zn-coating	3	3
10	Screw freezer furniture door hanger bracket	ST4x14, counter sunk head screw	18	18
11	Screw cabinet connecting bracket	M4*12, Crossed flat head tapping screws	16	16

No	Part name	spec	SWPR	FDPR
12	Cabinet- cabin connecting bracket	T1.0, Zn-coating	8	8
13	Screw cabin connecting bracket	ST4x14, counter sunk head screw	16	16
14	Cover furniture door bracket	abs	4	2
15	Screw door fixing bracket	M4*12, Crossed flat head tapping screws	4	2
16	Door- door furniture connecting bracket	T1.0, Cr+zn-coating	4	2
17	Screw furniture door fixing bracket	ST4x14, counter sunk head screw	8	4
18	Screw furniture door hanger bracket	ST4x14, counter sunk head screw	20	24
19	Screws	M4*12, Crossed flat head tapping screws	0	4
20	Washer	T1.0, Zn-coating	0	4
21	Fixing iron	T1.0, Zn-coating	0	4
22	Screws	ST4x14	0	8



- Anti tip bracket screws
- dowels

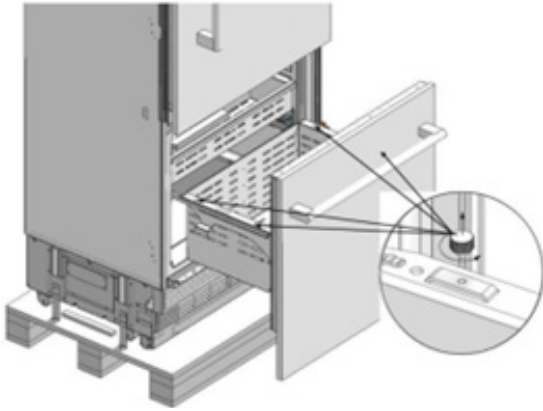
Crossed flat head tapping screws  
Spec : M4x12

Counter sunk head screw  
Spec : ST4x14

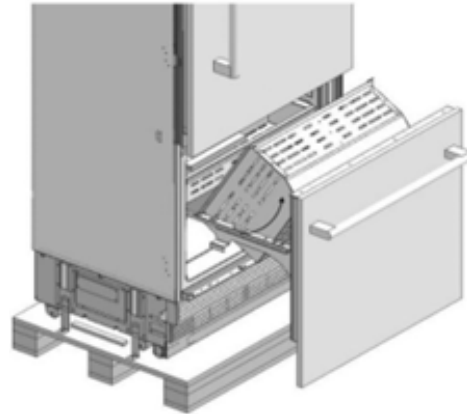
Crossed flat head tapping screws  
Spec : ST 5x16

## Prepare For Installation

### Removing the Freezing Crisper



Remove it manually with 4 knurled screws.

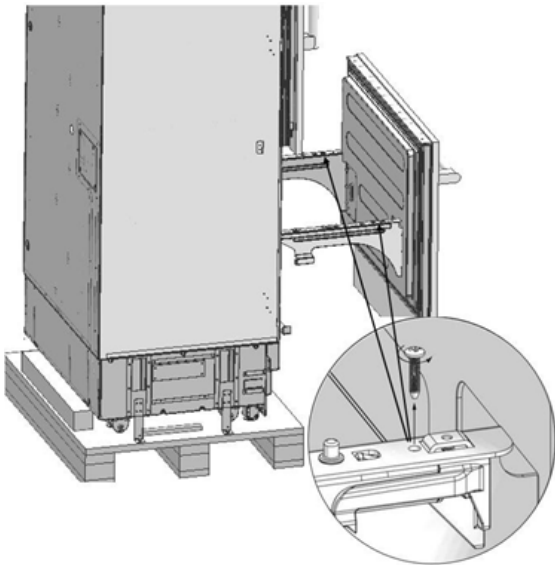


Remove the Lower Crisper.

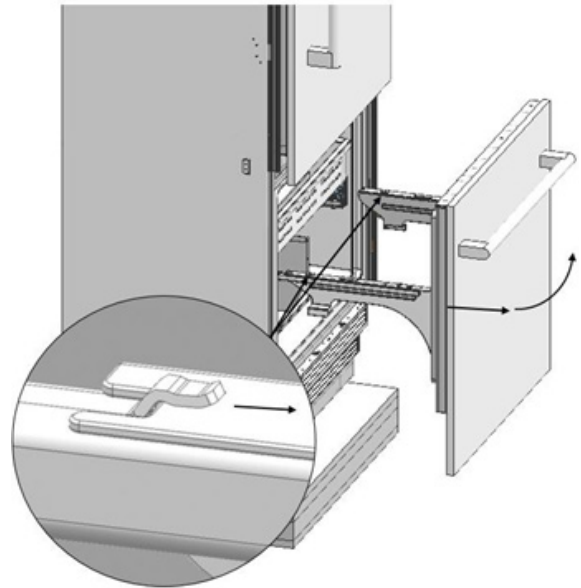
### Removing the Freezing Door

1. Remove 2 screws which are near the front section and connect the freezing door and the rail
2. Pull the door frontward to free it from the tabs at the back and remove it.

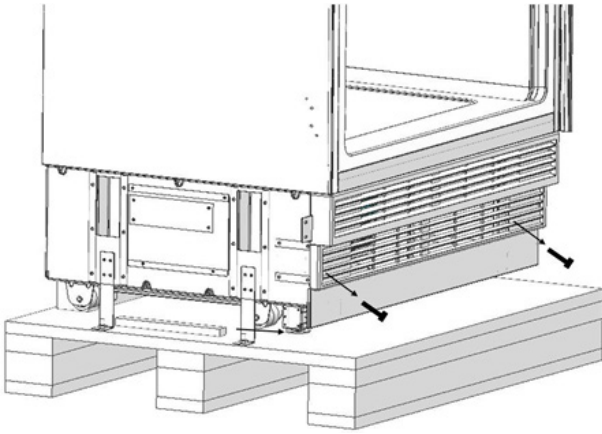
1



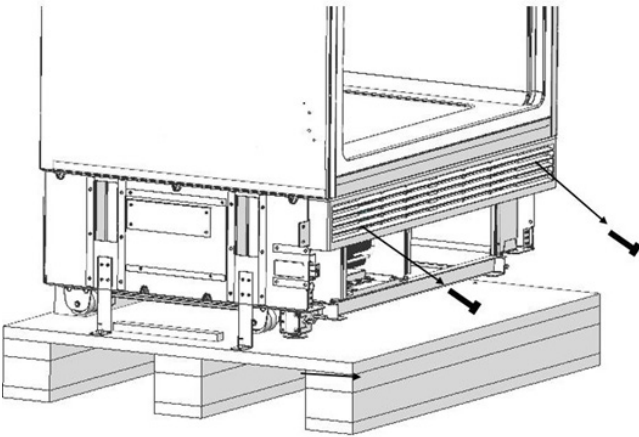
2



## Removing the Lower Vent Hole Assembly



Remove the 2 screws to take out the Lower Vent Hole Assembly.



Remove the 2 screws to take out the Upper Vent Hole Part.

## PRE-INSTALLATION

Before you install the product, make sure to follow these instructions:

For the USA: Adhere to the National Electrical Code, ANSI/NFPA 70 - latest version, and any relevant State or Municipality directives and/or regional directives.

For Canada: Follow the Canadian Electrical Code, C22.1 - latest version, and any relevant State or Municipality directives and/or regional directives.

### Mounting the Anti-Tip Brackets

#### WARNING:

You must definitely use Anti-Tip Brackets to prevent the appliance from tipping over.

#### WARNING:

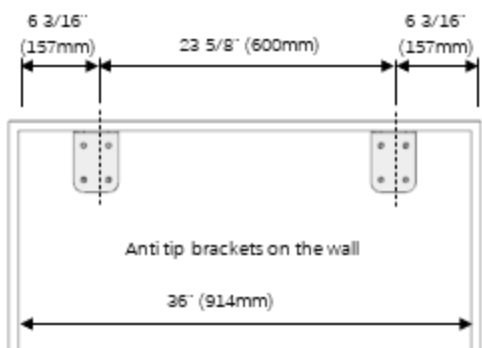
Ensure there are no electrical or water connections in the area where the screws for the anti-tip brackets will be tightened and where connections will be made.

#### WARNING:

Please remember to use the necessary protective equipment when drilling holes on the wall and performing the installation.

### Installation Steps:

1. Mark the wall for Anti-Tip Brackets



2. Use a drill to create holes for dowels (item No.3) at the marked points. (5/16" -08)
3. Use the hammer to fit the dowels (item No.3)
4. Fit the anti tip brackets (item No.2) into their places, using 4 screws(item No.4) for each.
5. You must use both brackets to ensure safety of the product.

#### WARNING:

If you are not sure whether the existing connection parts are fit to the wall as securely as they should be, you can use alternative anti-tip methods.

If there is furniture at the back wall of the refrigerator, please make sure that the furniture is fixed to the wall.

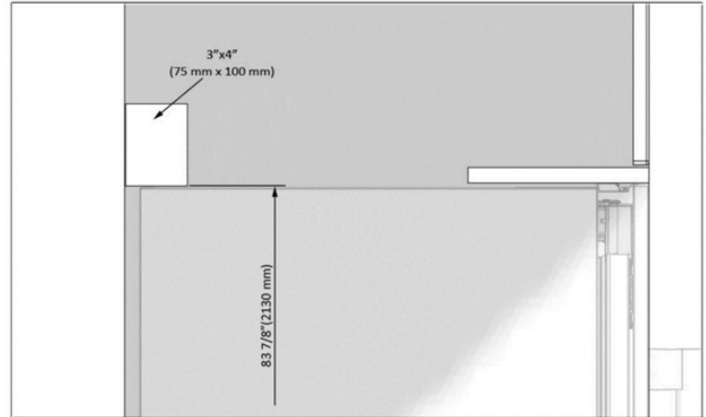
For this, you need to be sure that the back wall of the furniture is fixed to the concrete back wall with suitable connection parts.

## Alternative Anti-Tip Method

If the anti-tip brackets cannot be securely connected, an alternative method using wooden girders is recommended to prevent the appliance from tipping over. Here are the detailed steps for this alternative method:

### Installation Requirement:

1. Ensure the wooden girder is installed with no clearance between the product and the girder itself.
2. Dimensions:
  - The wooden girder should have a minimum cross-sectional dimension of 3" x 4".
  - The width of the girder must match the clearance where it is to be installed.
3. Additional Support:
  - If the niche depth is greater than expected, an additional girder may be required. The wooden girder must contact the product with a maximum gap of 2" (50.8 mm).
4. Marking and Fixing:
  - Mark the position for the wooden girder on the rear wall.
  - Choose appropriate screws for a secure connection and ensure they are safely fixed.



### WARNING:

The screws chosen for securing the wooden girder must be appropriate in number and type to ensure a stable and safe connection.

## Preparing the Water Hose and the Power Plug

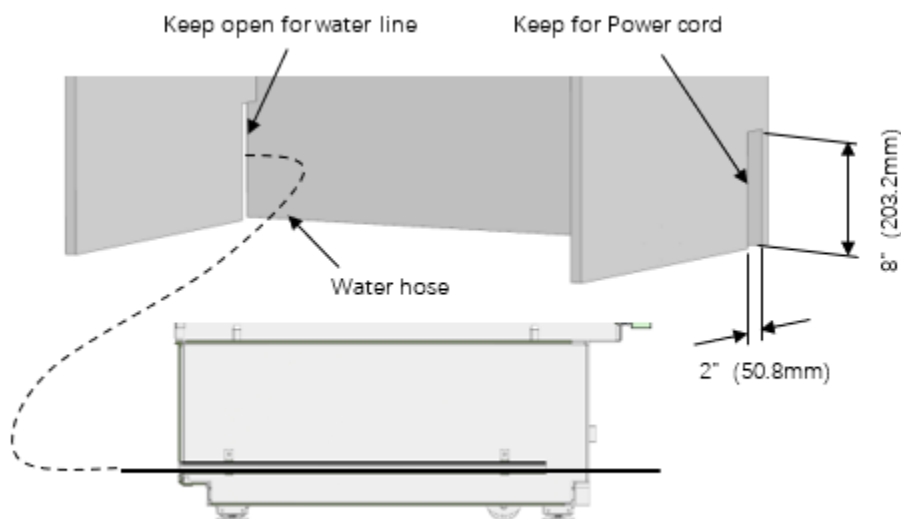
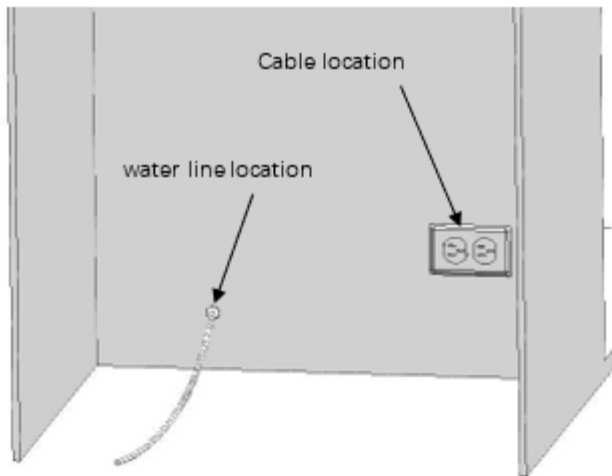
To set up your appliance for water connections and power supply, you will need:

Hose Specifications: A hose with a minimum length of 60 inches and a diameter of 1/4 inch.

Connector: A connector with an external thread diameter of 1/4 inch to attach the hose to the product.

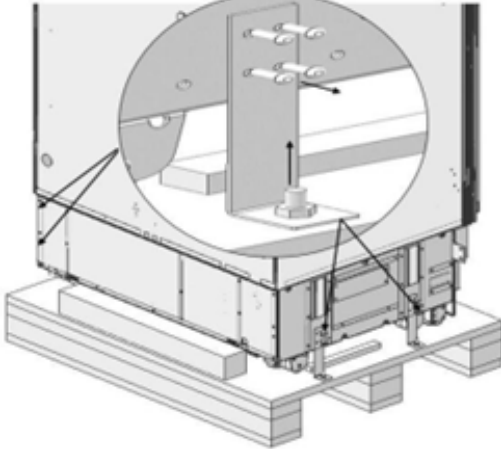
Here are two methods to prevent the cable from getting jammed:

- A. Locate the water hose and power supply on the back
- B. Locate the water hose and power supply on the side

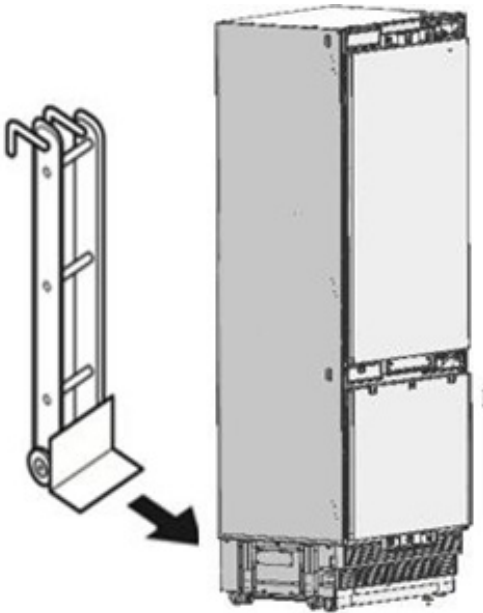


## Installation To The Cabin

1. Taking the refrigerator from the wooden pallet
2. Remove the brackets that connect the refrigerator to the Wooden Pallet.



3. Recline the refrigerator slowly and pull back with the help of the cart, and then land it.  
**ATTENTION:**  
High risk of tipping over. You should not open the doors until the product is placed into the cabin.



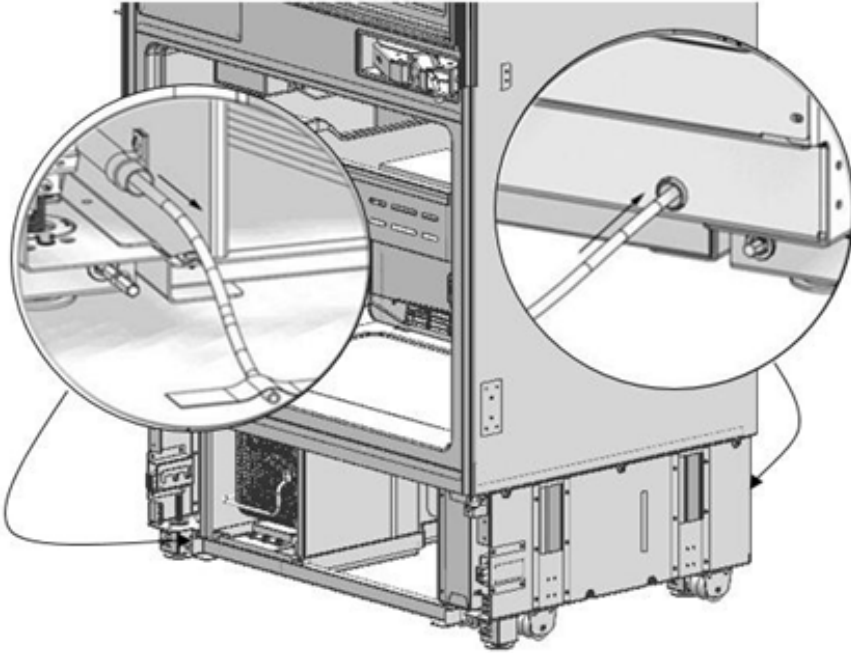
4. Place the refrigerator into the cabin
5. Insert the mains water hose into the duct at the back and take it out from the front.

### **Prevent Cable Damage:**

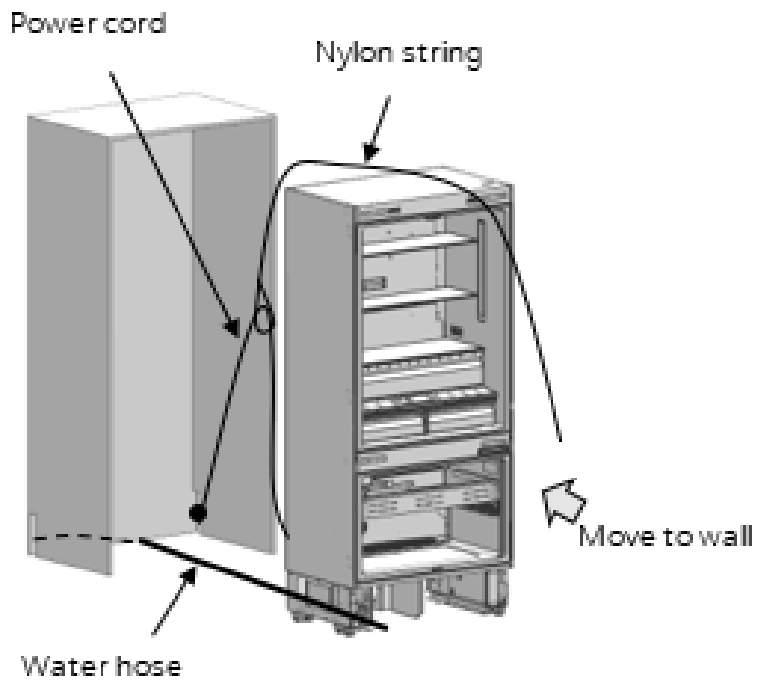
Secure Cables: Use a nylon string to secure the power cord and water hose to prevent them from getting jammed when moving the appliance towards the wall, as shown in the diagram.

## Placing the refrigerator into the cabin

Insert the mains water hose into the duct at the back and take it out from the front.



Apply the below method to prevent the cable from getting jammed.



## Starting the Refrigerator

Ensure the refrigerator is energized: Start the refrigerator and check if it's operating by verifying if the lamps in the freezer compartment are on or off.

## Important Information

**Protecting Furniture:** You can use tape and similar protectors on parts of the furniture you think need protection when placing the product to avoid damaging edges.

## Warnings

**Accessibility of the Plug:** After installation, the plug of the product must be accessible. If it's not, you must be able to cut off the power from the main switch.

**Mains Cable:** Ensure the mains cable is not jammed when placing the product.

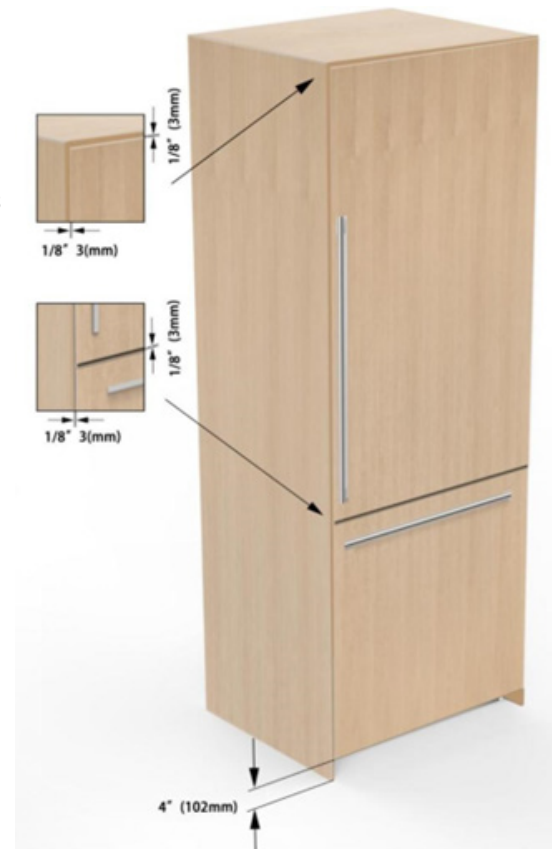
## Placement Instructions

- **Pushing the Product into the Cabin:** When pushing the refrigerator into place, if there's strain, it might be due to:
  - A rough or uneven floor.
  - Loose adjustable feet. Refer to the relevant section in the manual to learn how to adjust them.
  - **Aligning with Furniture:** Use the upper edges of the Freezer Door to align the product with the furniture during placement. Further adjustments for other edges are detailed in the following pages of the manual.

### IMPORTANT INFORMATION:

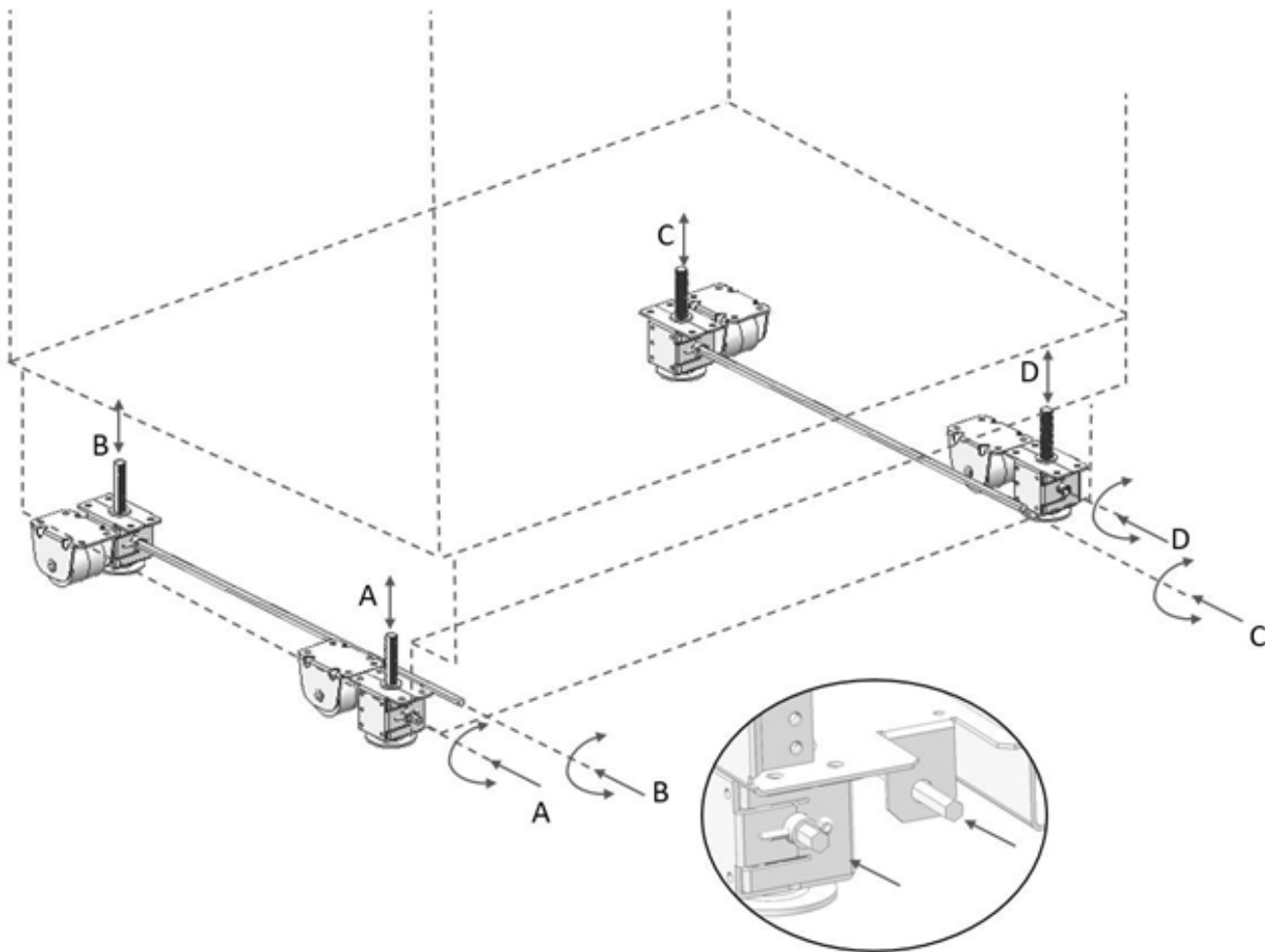
When aligning the refrigerator with your kitchen furniture, ensure you use the upper edges of the Freezer Door for alignment.

For adjustments related to other edges of the refrigerator, please refer to the instructions provided in the following pages of the manual.



## Adjusting the height of the refrigerator in the cabin

Adjust the refrigerator height using the adjustable feet.



### **WARNING:**

raise the front feet first to reduce the risk of the cabin falling forward.

A/D – Turn the key clockwise to lift the front

B/C – Turn the key clockwise to lift the rear

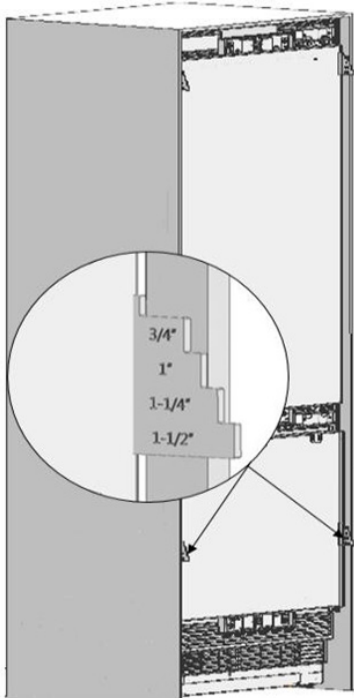
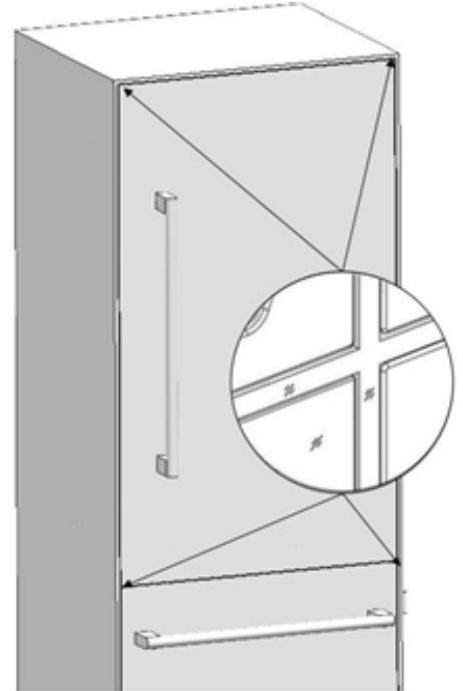
After adjusting the adjustable feet, check the flatness in both width and depth directions.

The maximum height that the adjustable feet can reach is 1 9/16" (40 mm) and the product height is 85 3/8" (2,169 mm)

### IMPORTANT INFORMATION:

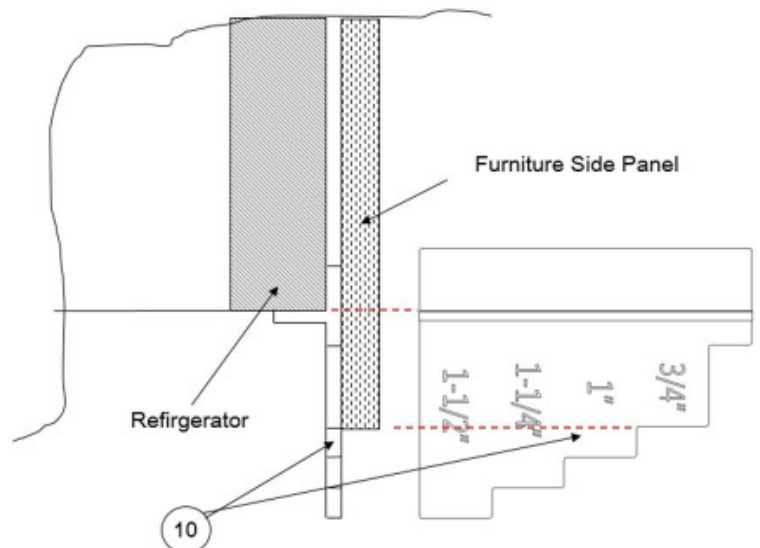
#### Adjusting the refrigerator according to the cabin flange

For products with clad doors, the position of the Refrigerator is adjusted so that the door and the furniture surface are flush. You can also use position adjustment jig (Item No5) if necessary. For products without furniture doors, the product is placed using the Adjustment part (Item No5) as shown in the figure below.



It is very important to align the upper edge of the Freezer door when aligning. All the other edges can be adjusted with the adjustment mechanisms.

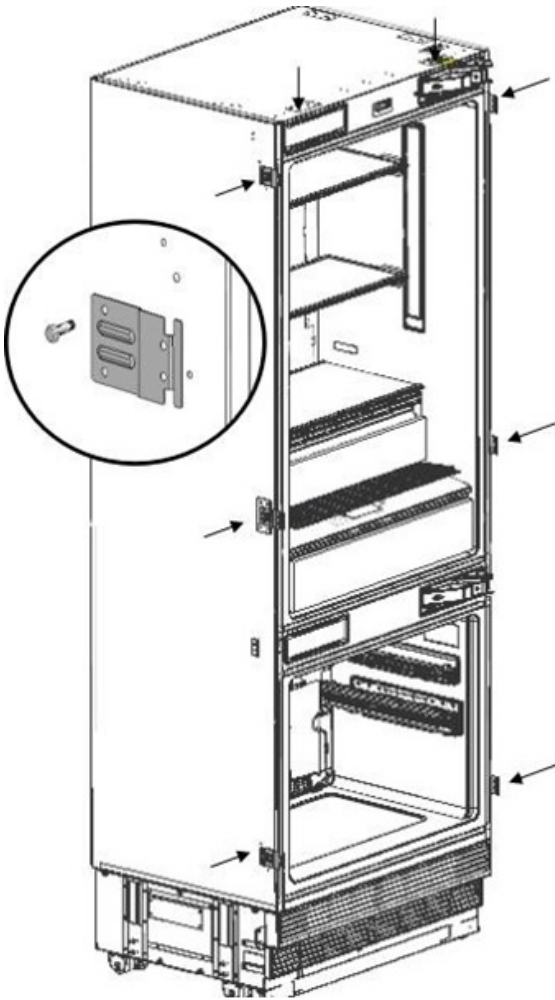
The position adjustment jig (Item No5) must be adjusted according to the thickness of the door. It can adjust the level for 4 different door thickness levels.



## Screwing the cabinet-cabin connecting bracket

Fix the cabinet-cabin connecting bracket (Item No12) to the cabinet, where 2 on the top, and 3 on every side.

Use screw cabinet connecting bracket (Item No11) to tighten.



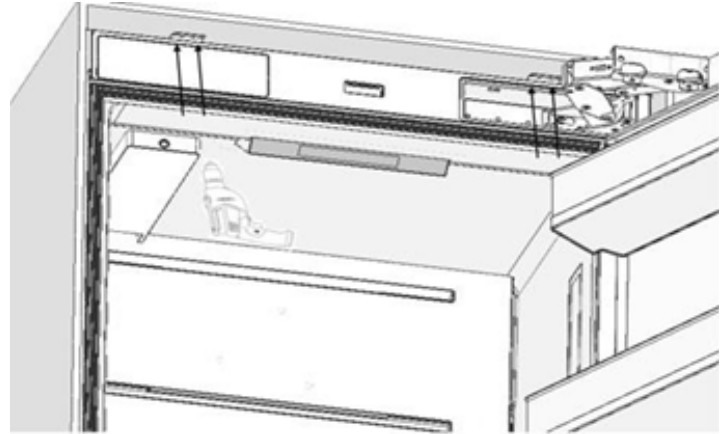
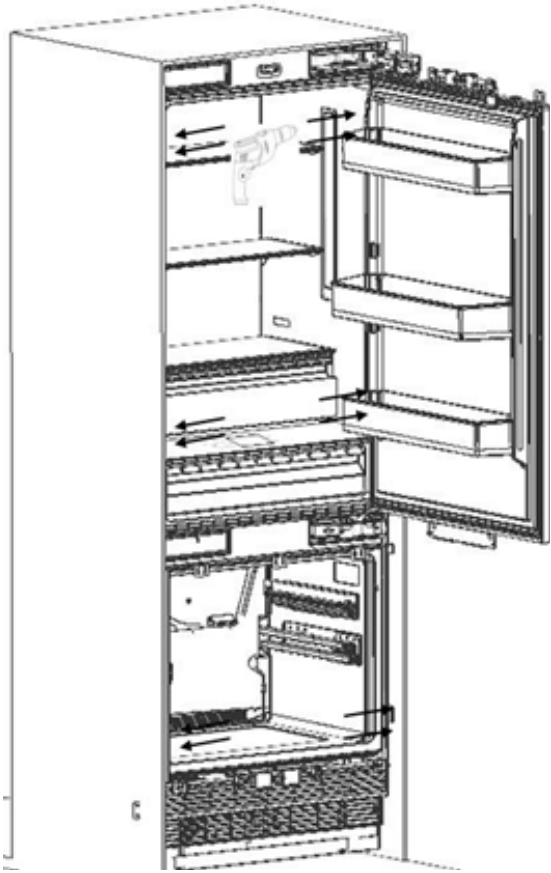
### **WARNING:**

Before starting to screw the Side and Upper brackets, please make sure that water is supplied to the product and there is no water leakage.

### **IMPORTANT:**

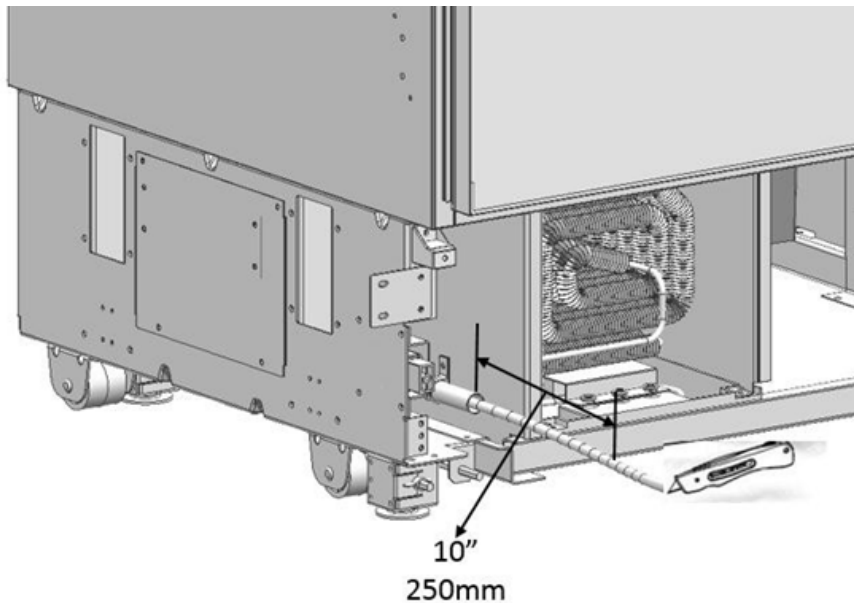
If you have difficulty tightening the screws, opening a reference hole with the drill will make this procedure easier.

Attach cabinet-cabin connecting bracket(Item No12) to the cabin with 16 screws cabin connecting bracket (Item No13).



## Installing the Cabin Bottom - Water Connection

**Cutting the Water Hose:** Use a box cutter to carefully cut the water hose where it exits from the pipe. Ensure you leave approximately 10 inches of hose length after the cut.



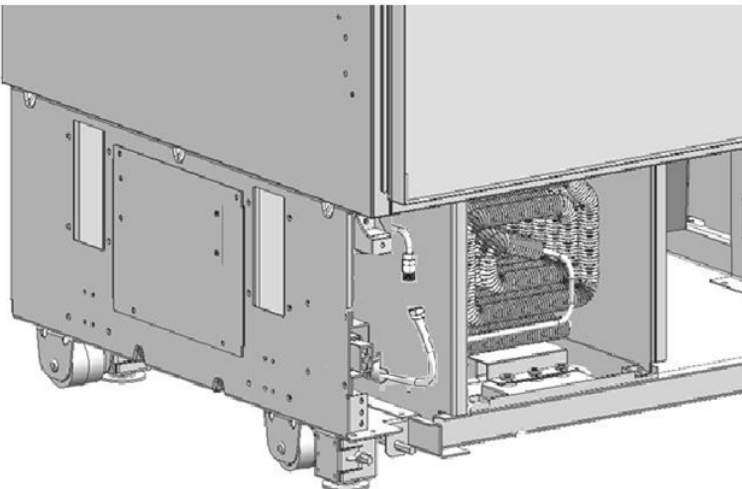
Use the 2 wrenches to firmly connect the hose coming from the mains to the hose coming from the valve.

### Warnings:

- **Hose Integrity:** The hose coming from the mains must be one piece. Do not use extension hoses.
- **Power Safety:** Ensure the power is cut off when making the water connection to the product.
- **Water Valve:** The water valve must be off when connecting the water hose.
- **Accessibility:** It is recommended that the water on/off valve remains accessible after installing the product.
- **Water Type:** This product is only suitable for use with cold water mains.
- **Pressure of the water system** must be between 25-80 psi (1.7-5.5 Bar).

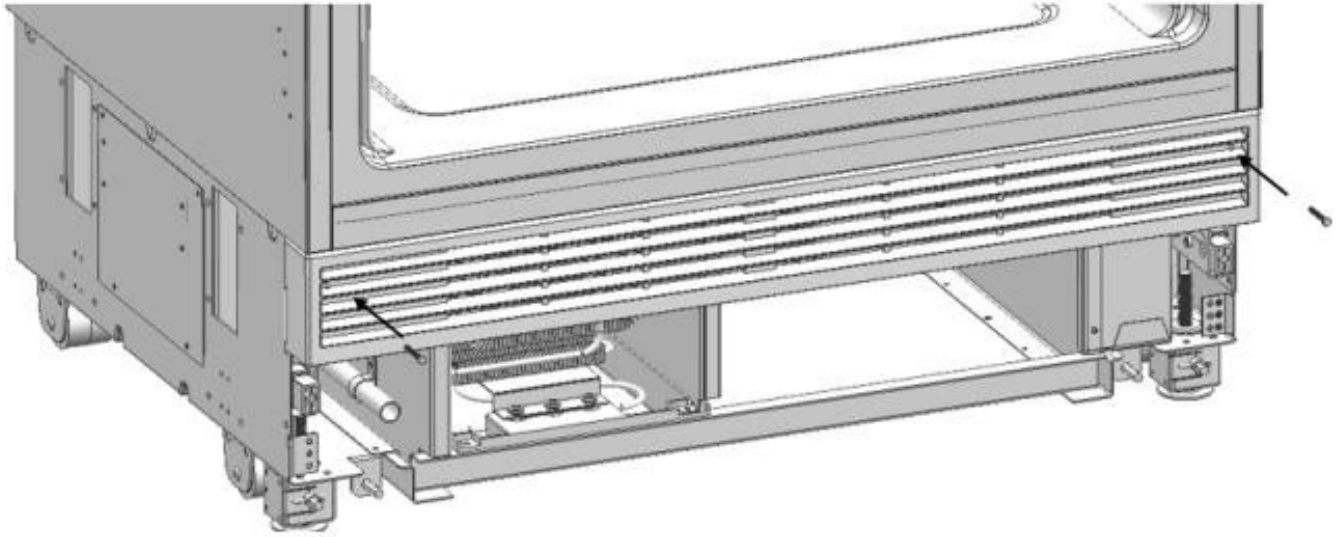
### Important:

Once the connection is complete, you must turn on the mains valve and make sure that there is no leakage at that point.



### Attaching the upper vent hole part

Use 2 screws to attach the upper vent hole part.



### IMPORTANT:

You can move the lower vent hole forward-backward to adjust it to the kick plate in the kitchen.

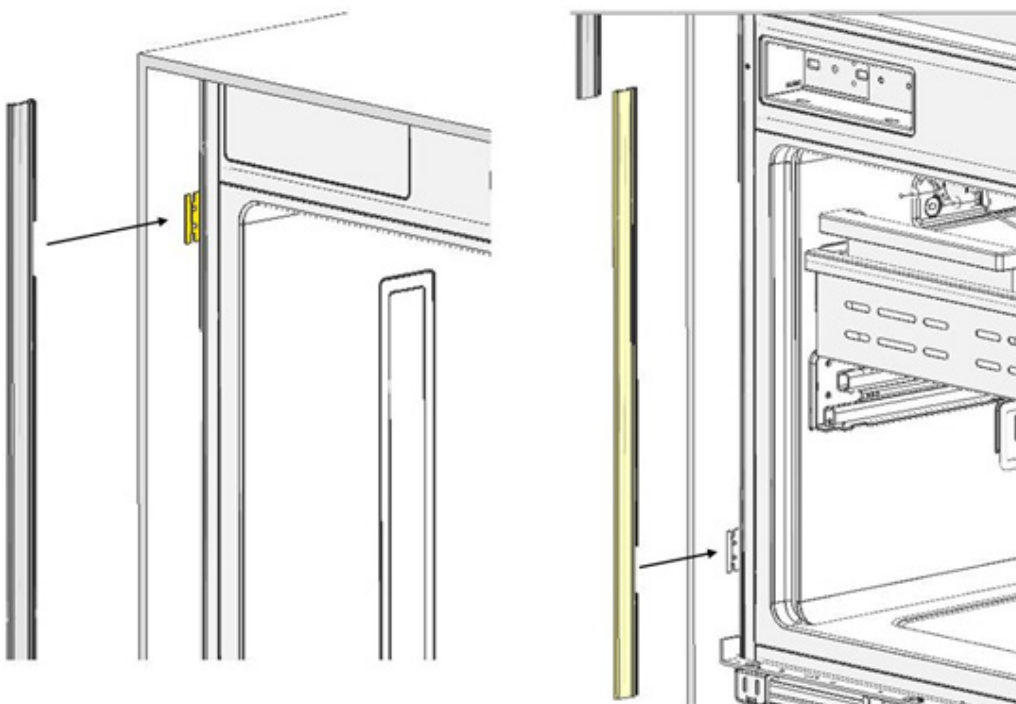
### WARNING:

Forward-backward travel distance of the lower kick plate must be 15/16" (23 mm).

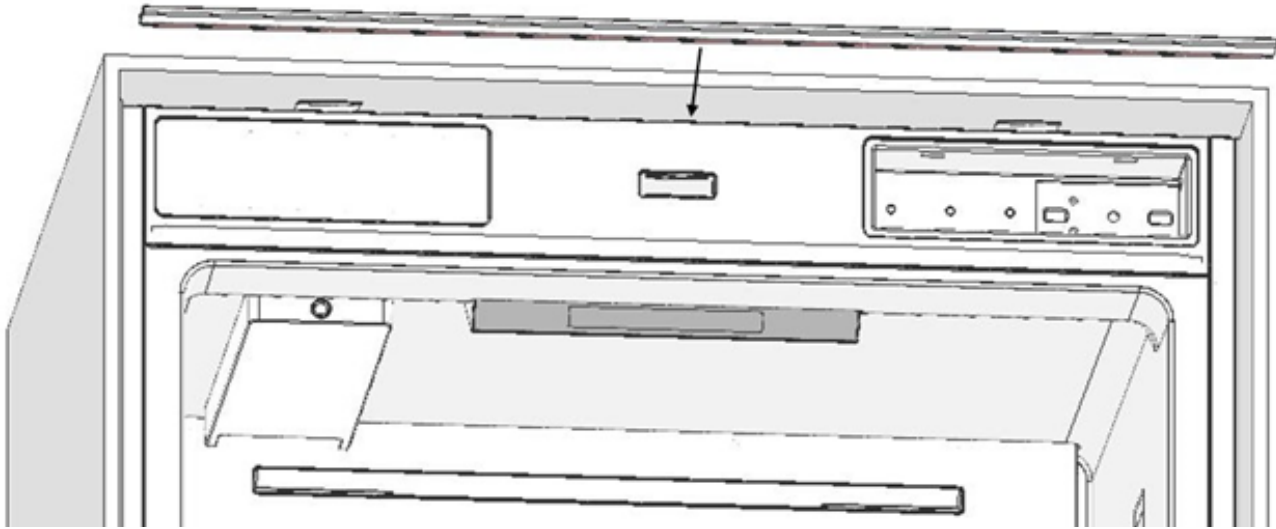
As you can see in the figure, the decorative kick plate must not be in front of the upper vent hole level.

### Attaching the decorative parts

Attach the trim fridge furniture side (Item No1) onto cabinet-cabin connecting bracket (Item No12).



Attach the trim furniture top (Item No4) onto cabinet-cabin connecting bracket (Item No12).



**WARNING:**

Maximum weights of the furniture to be mounted to the product are as follows.

Fridge Door: 35.7 lbs. (16.2 kg)

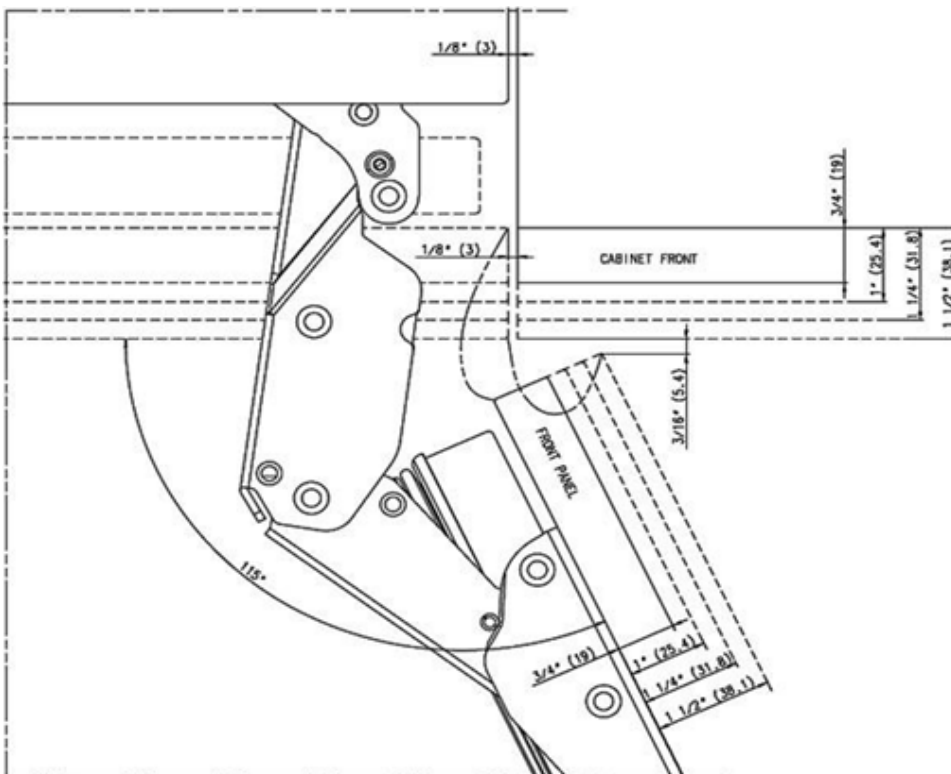
Freezer Door: 19.8 lbs. (9 kg)

**Choosing the Door Thickness**

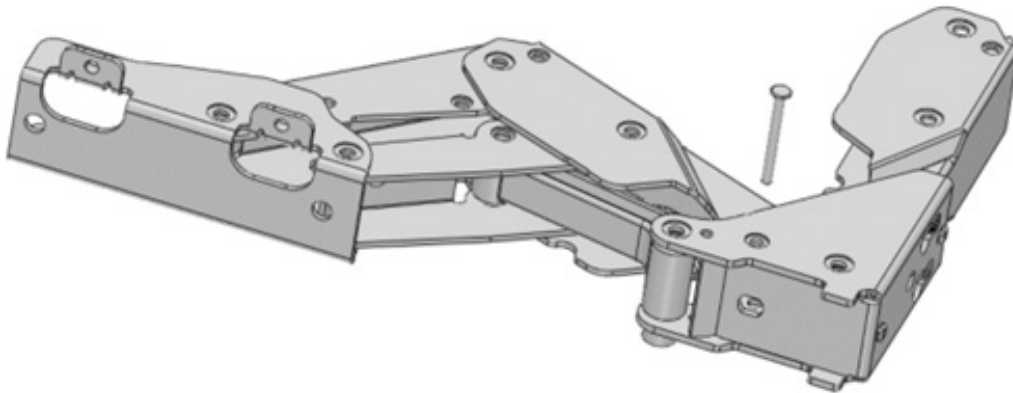
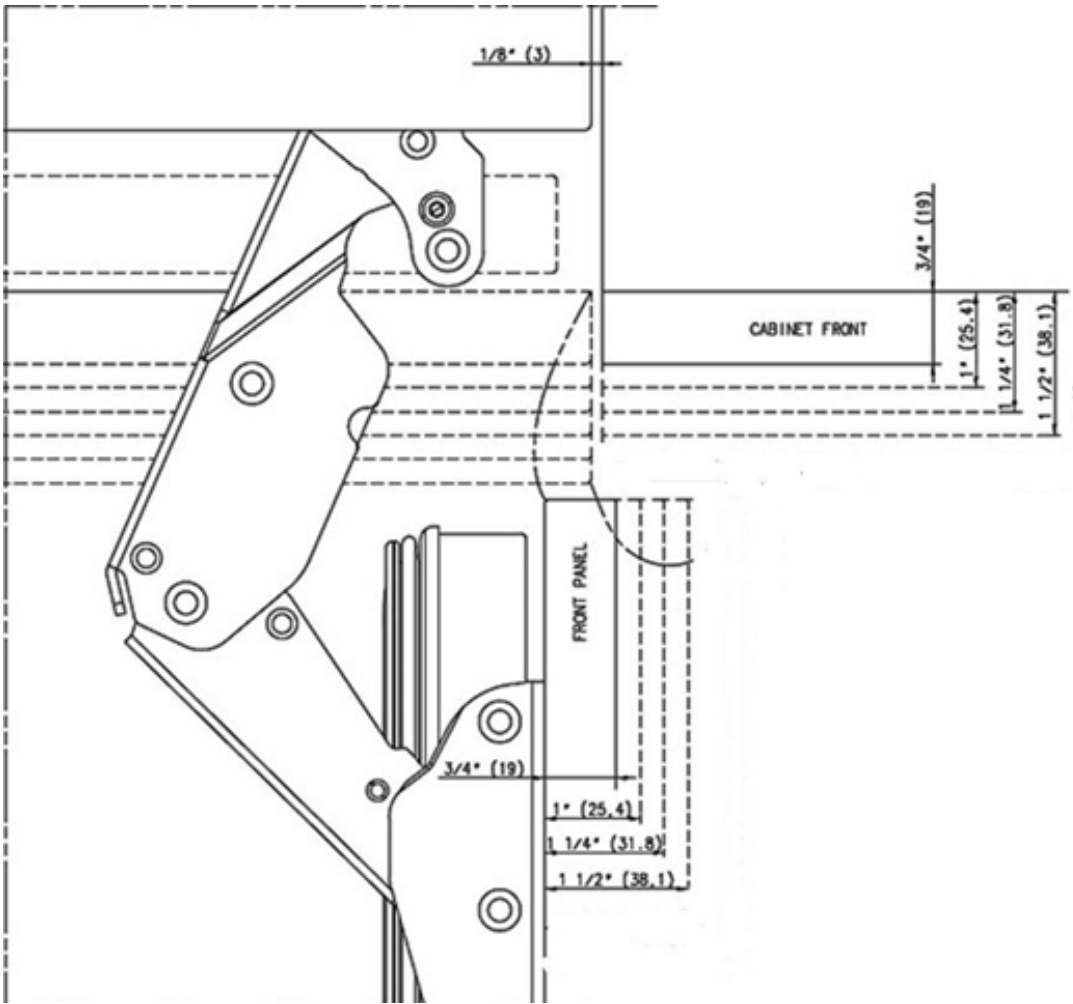
The door of your refrigerator can open by 115° maximum. If the door is going to open to this degree, you can choose the following thickness levels.

**WARNING:**

If the door thickness is more than 1 1/2" (38 mm), the door should not open more than 90°. You must use a limiting pin on the hinge.



You can limit the opening degree of your door to 90° if you want.  
In this case, the door thickness levels can be like the following (you can look at the relevant section to learn how to attach the 90° limiting pin (Item No6).



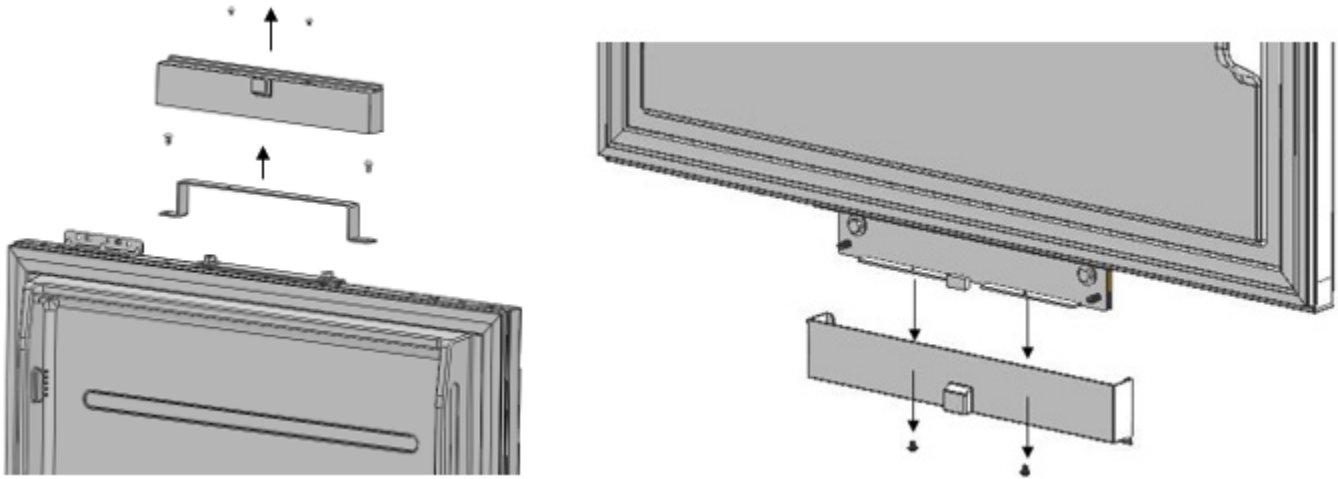
90° limit pin should be inserted to upper hinge and lower hinge

## FURNITURE DOOR PREPARATION

This section contains information about preparing the furniture doors and mounting them to the product.

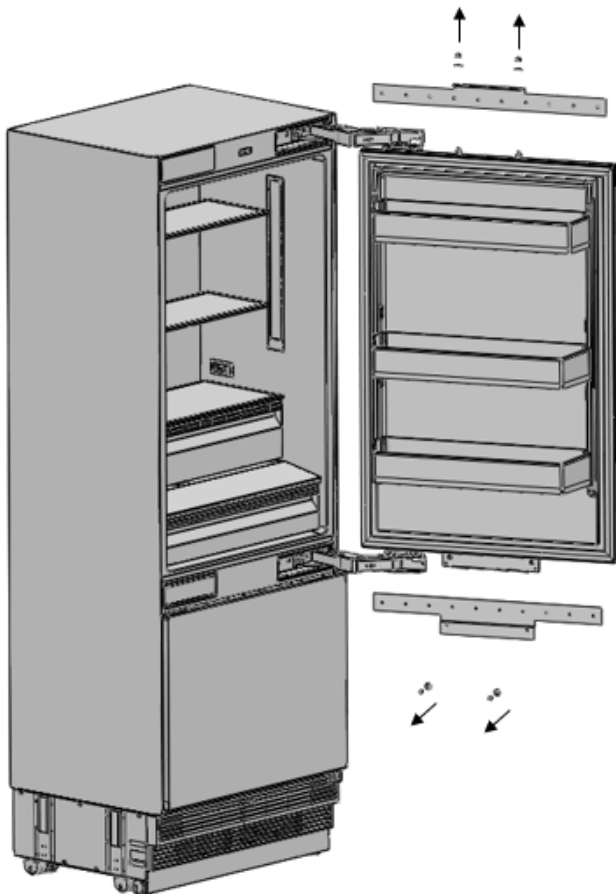
### Removing the Mechanism Covers

- Remove screws to take out the cover door hanger bracket upper and fixing bracket.
- Remove two screws to take out the cover door hanger bracket low.



### Removing the Panel-Adjustment Mechanisms on the Refrigerator

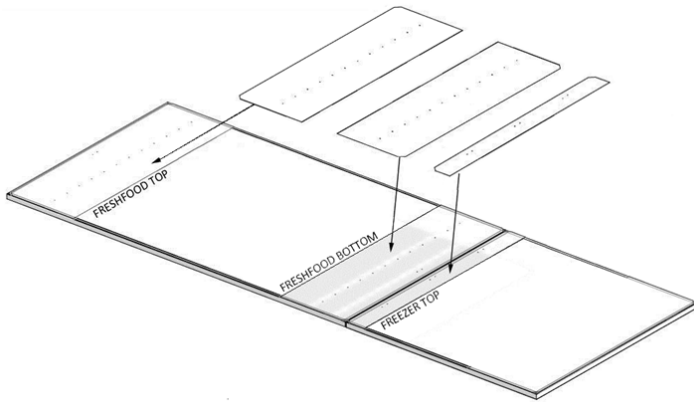
Remove the upper and lower adjusting mechanism assemblies from the door.



## Preparing Furniture Door

### IMPORTANT INFORMATION:

When aligning the cradle parts on the furniture door, you must take the dimensions into account. For marking, you can use the "Furniture door preparation template" (Item No 1) provided with the product.

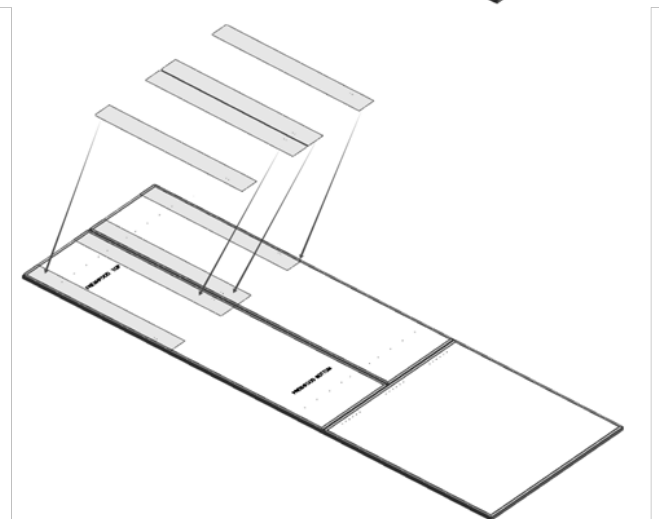
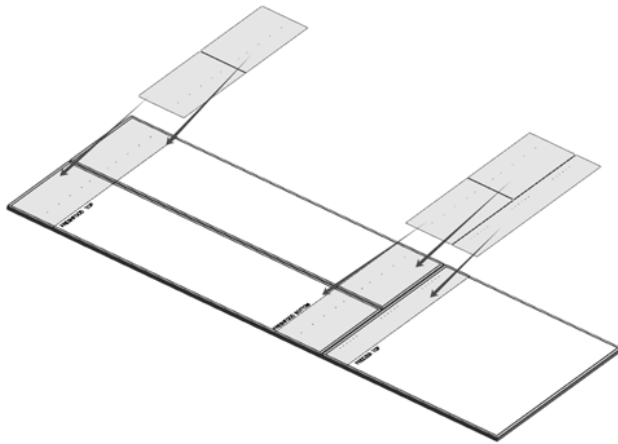


### WARNING:

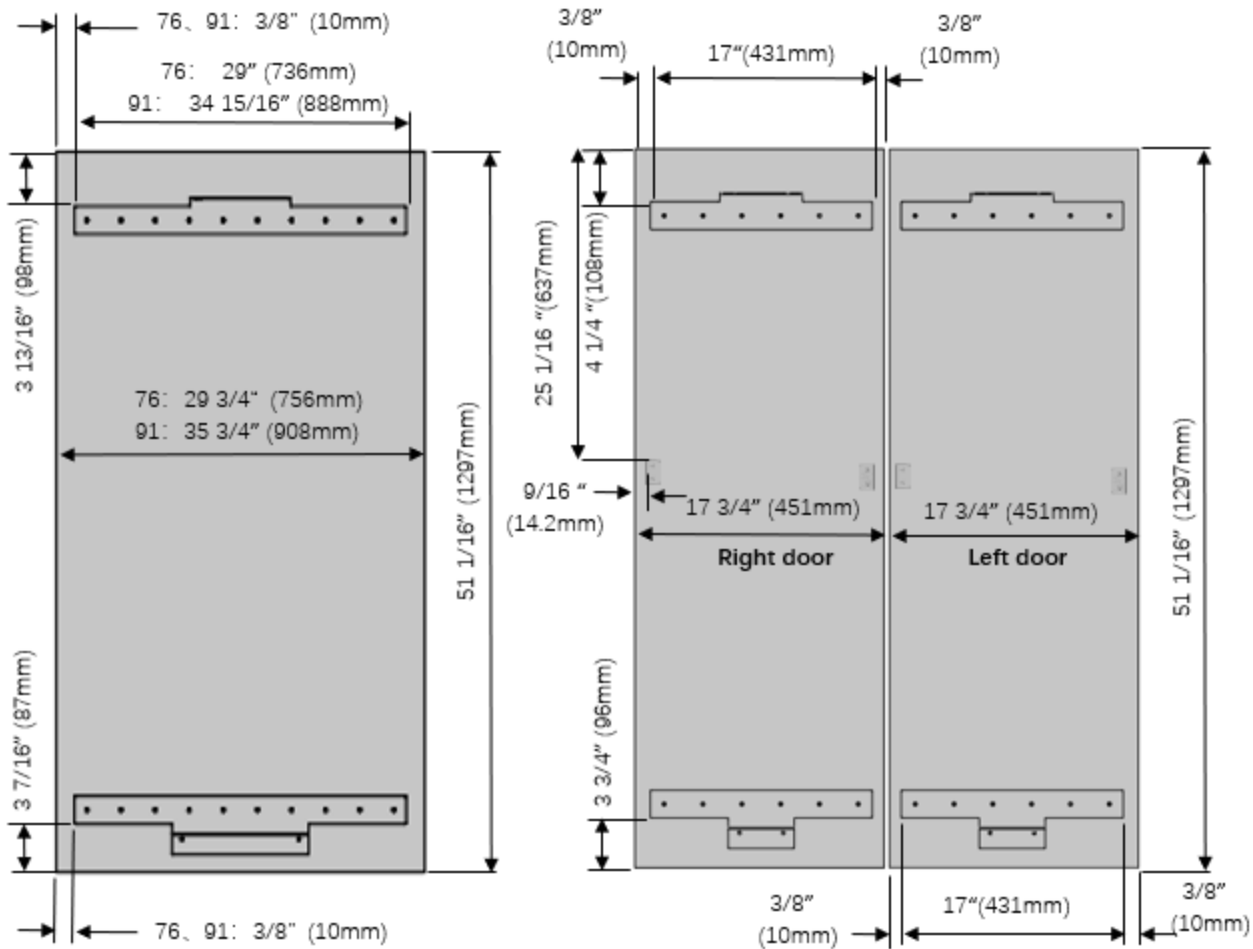
Handle connection holes must be adjusted according to the handles to be used in kitchen design.

### WARNING:

Minimum thickness of the door must be 5/8" (16mm).



## Preparing the Fridge Furniture Door



### WARNING:

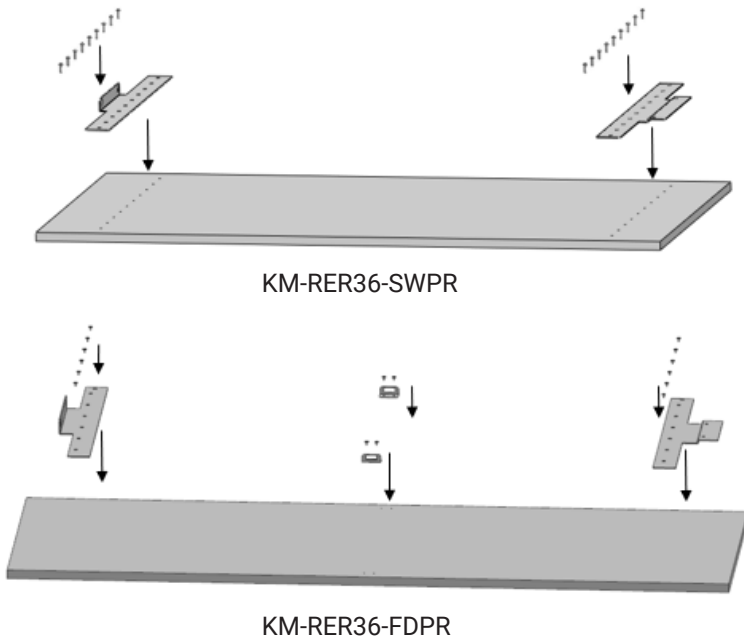
You must use screws suitable for the door thickness.

Install 2 hanger bracket using the screw furniture door hanger bracket (Item No18).

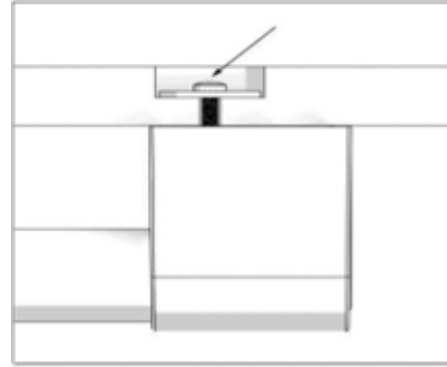
You can also use the furniture door preparation template (Item No 1) provided with the product to align these parts.

Using 4 Screws (Item No 22) total and 2 fixing iron (Item No 22) to secure on the side of KM-RER36-FDPR fridge door panel.

It is recommended to keep this template for future reference.



Attach the fridge door handle.  
Screws holding the door handle must not protrude.



### Preparing the Freezer Furniture Door



**WARNING:**

Handle connection holes must be adjusted according to the handles to be used in kitchen design.

**WARNING:**

Minimum thickness of the door must be 5/8" (16 mm).

**WARNING:**

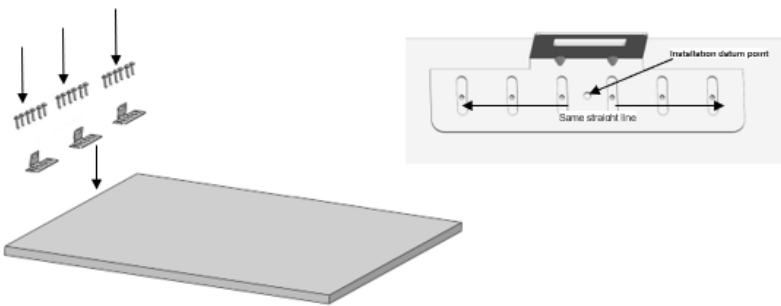
You must use screws suitable for the door thickness.

Install hanger bracket using the screw furniture door hanger bracket (Item No18).

You can also use the furniture door preparation template (Item No 1) provided with the product to align these parts.

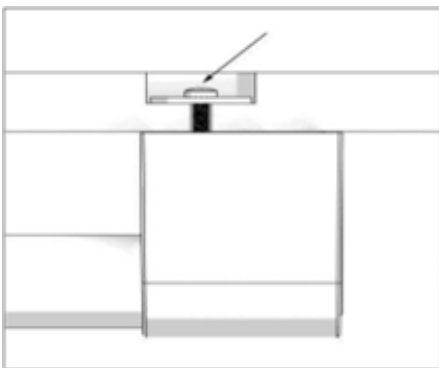
It is recommended to keep this template for future reference.

Attach freezer door hanger brackets (Item No9) using 6 screws (Item No18) for each.



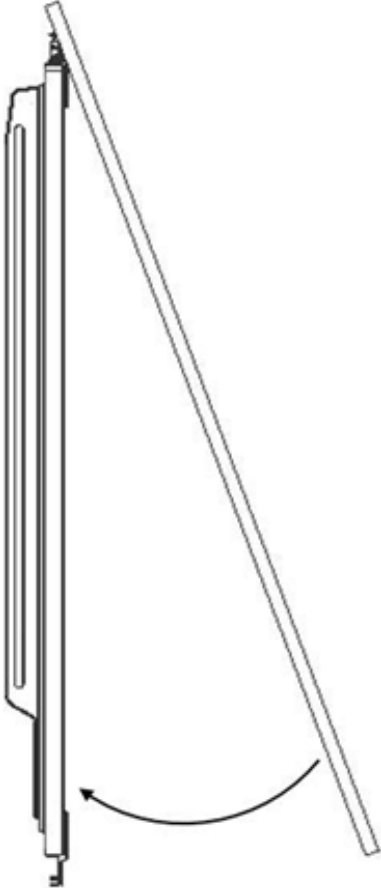
Attach the fridge door handle.

Screws holding the door handle must not protrude.



# Installing the panel door

Attach the panel door to the door



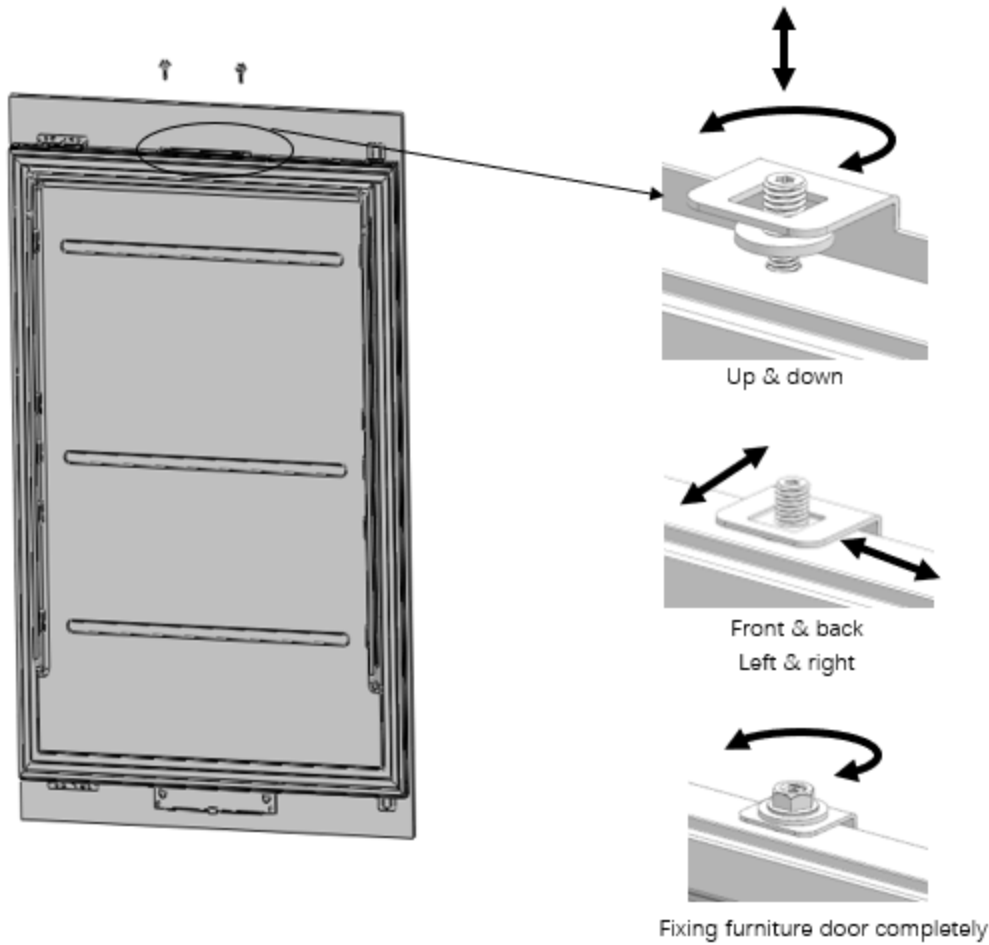
## How to Align the Fridge Door with Bolts

**Positioning:** The position of the Furniture Doors to the kitchen furniture must be flush.

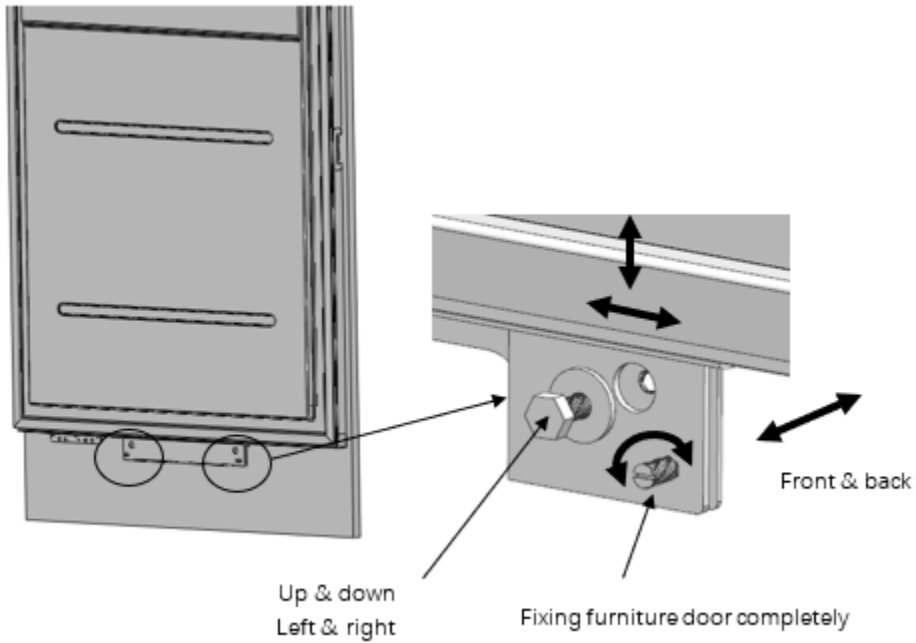
**3D Adjustment:** To achieve this, you should adjust in 3D direction using two fixing bolts for fine adjustments.

**Review:** First of all, review the position of the grouped Furniture Doors against the kitchen furniture.

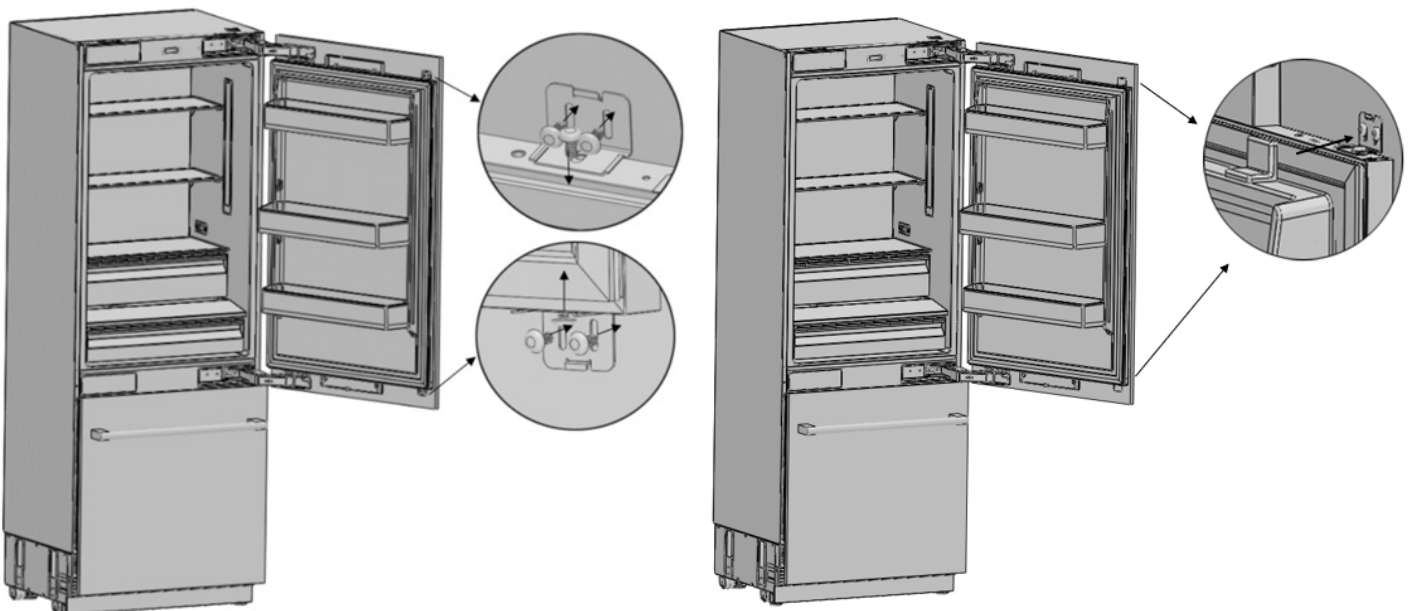
**Distance:** Ensure that the distances between furniture are 1/8" (3 mm), assuming that the furniture dimensions are correct. You can make door adjustments based on this distance.



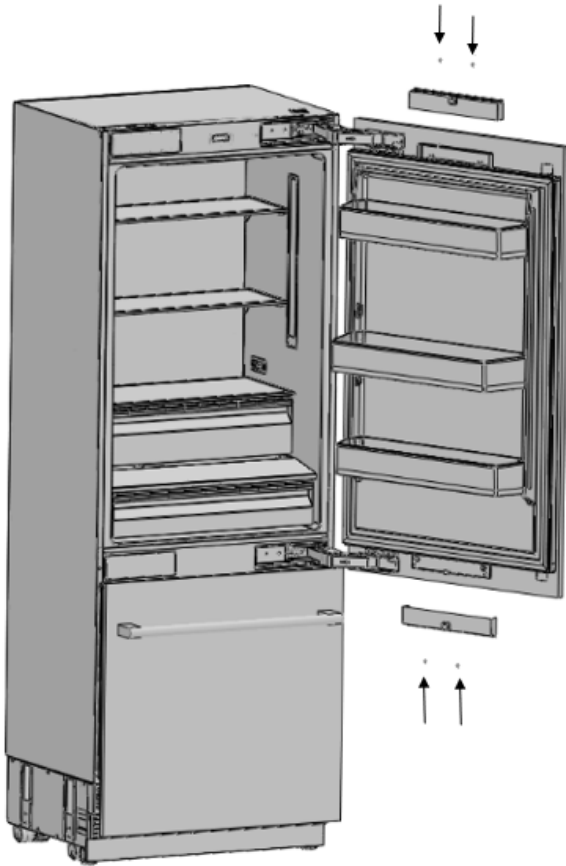
## How to align the furniture door lower part with bolts.



- Use the door-door furniture connecting bracket (Item No.16) to join the furniture door to the fridge door.
- Use 1 screw-door fixing bracket (Item No.15) to fix onto the door.
- Use 2 screws (Item No.17) to fix on the furniture door.
- Clip the cover furniture door bracket (Item No.14).

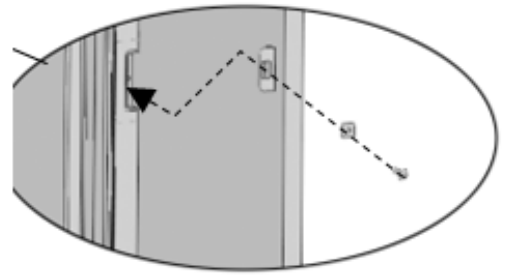
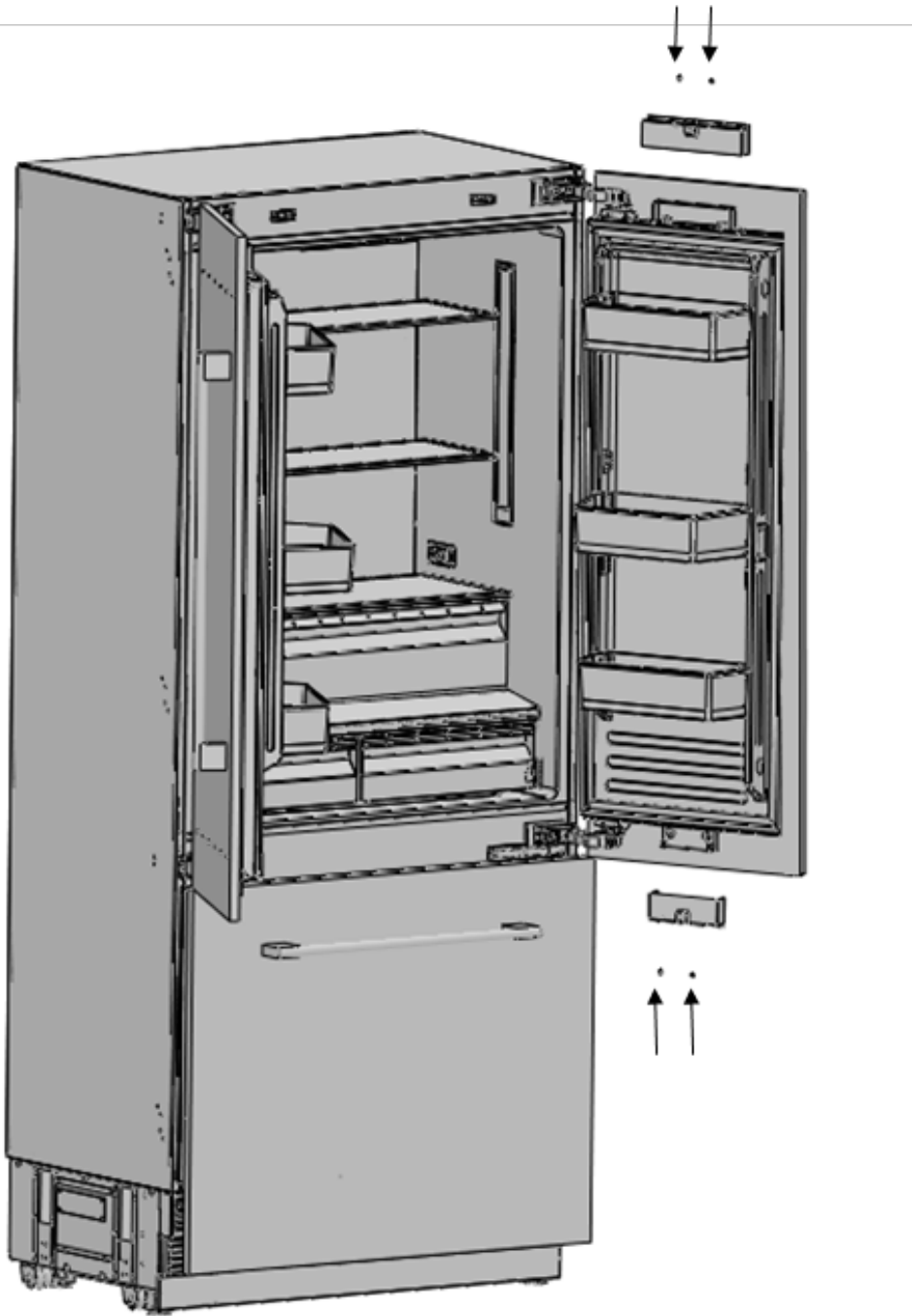


- Attach and screw the upper/lower decoration cover.



**WARNING:**

- There is a magnet on the cover door hanger bracket upper.
- This is a functional part for the operation of the product.
- It should not be confused with the lower cover.
- Attach and screw the upper/lower decoration cover.
- Secure the Fixing bracket at the door side by using screws (Item No 19) & washer (Item No 20).

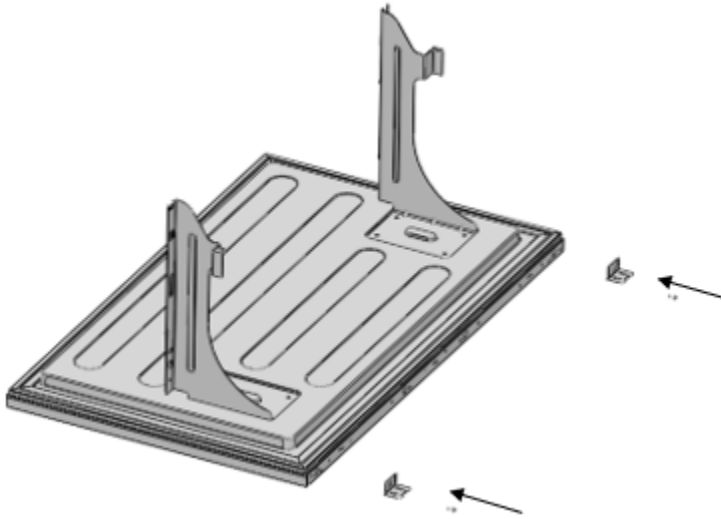


**WARNING:**

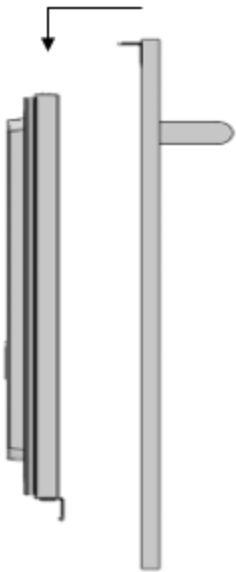
There is a magnet on the cover door hanger bracket upper.  
This is a functional part for the operation of the product.  
It should not be confused with the lower cover.

## INSTALLING THE FREEZING FURNITURE DOOR

Attach door-door furniture connecting bracket (Item No16) on the door lower part with screw door fixing bracket (Item No15)

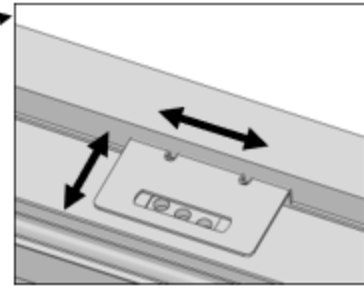
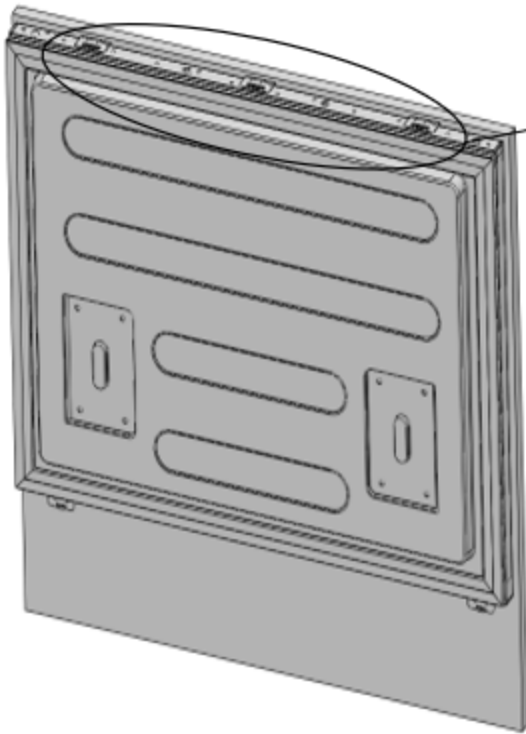


Attach the furniture

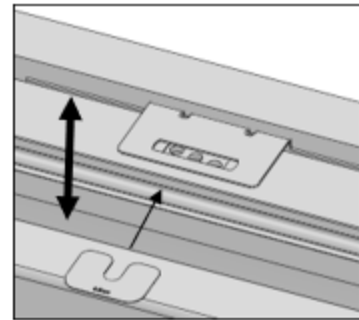


How to align the freezing furniture door lower part

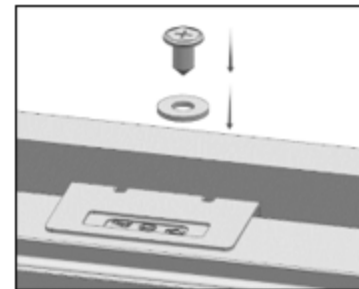
- How to align the furniture door upper part with screw freezer door hanger bracket (Item No8).
- Fixing the brackets with three screws (Item No 8) and three shims (Item No 8-1).



Front & back  
Left & right

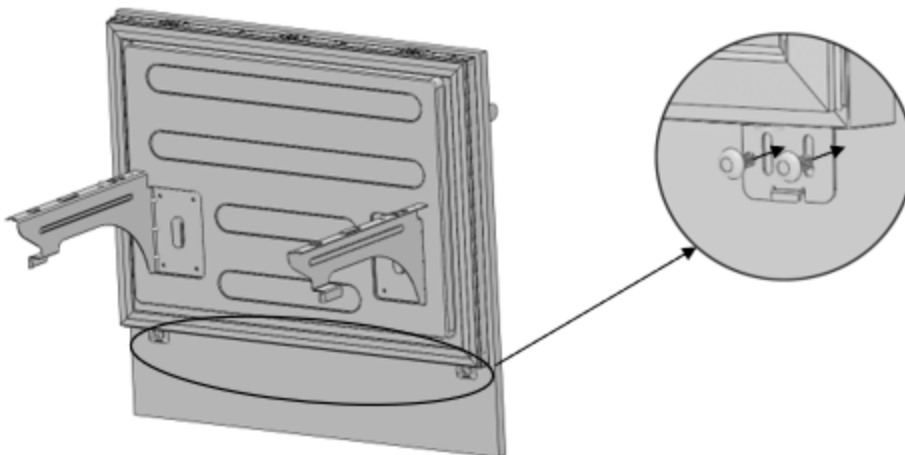


Up & down

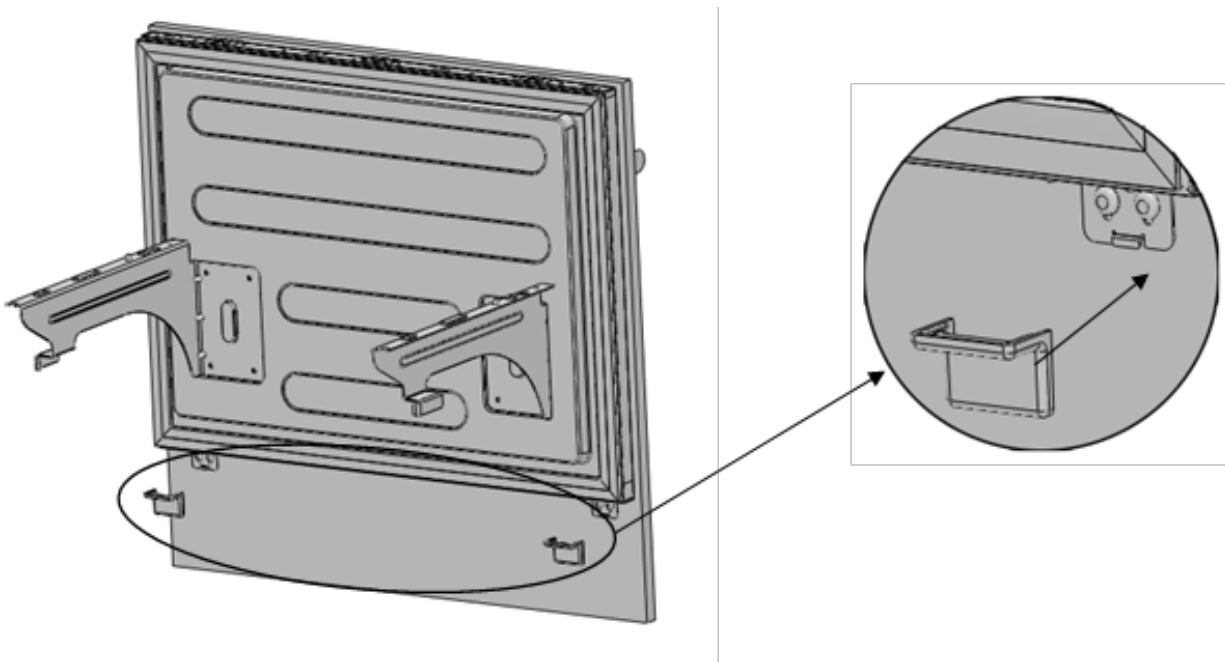


fixed

- Use the door-door furniture connecting bracket (Item No16) to join the furniture door
- Use 2screws (Item No17) to fix on the furniture door.

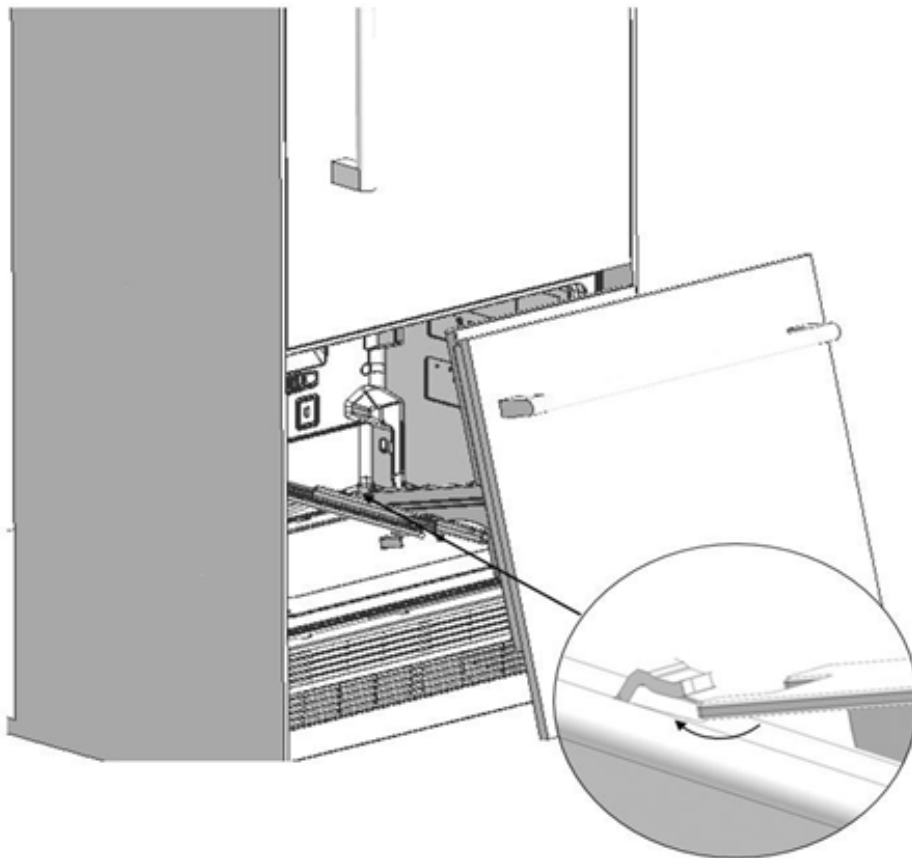


- Clip the cover furniture door bracket (Item No14).

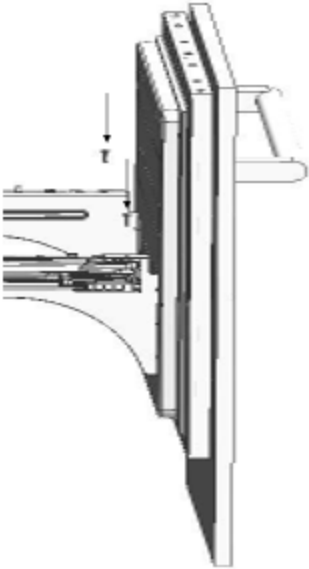


**WARNING:**

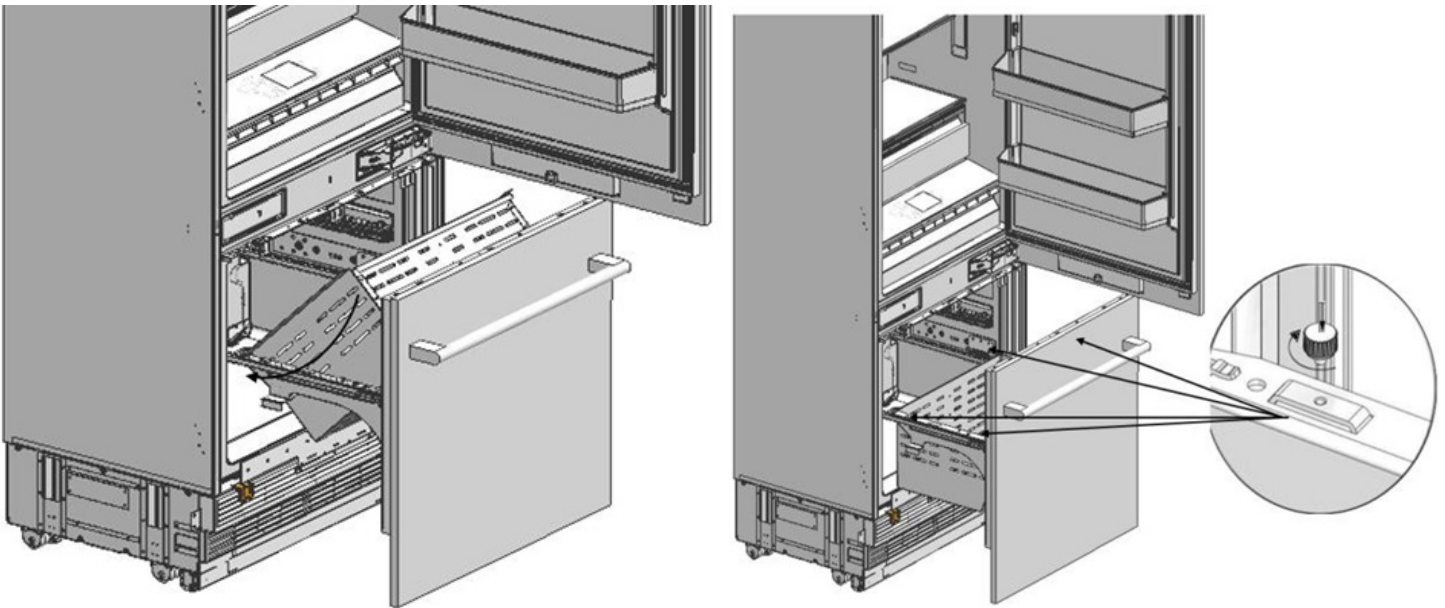
- You must keep these parts for future use. You will need them if you want to change the door directions.
- Install the Freezer Furniture door assembly onto the rails.



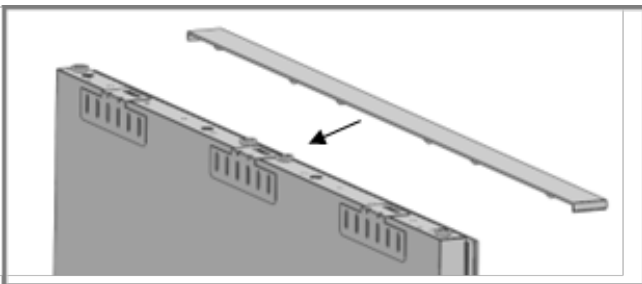
- Fix the Freezer Furniture door assembly onto the rails with 2 screws.



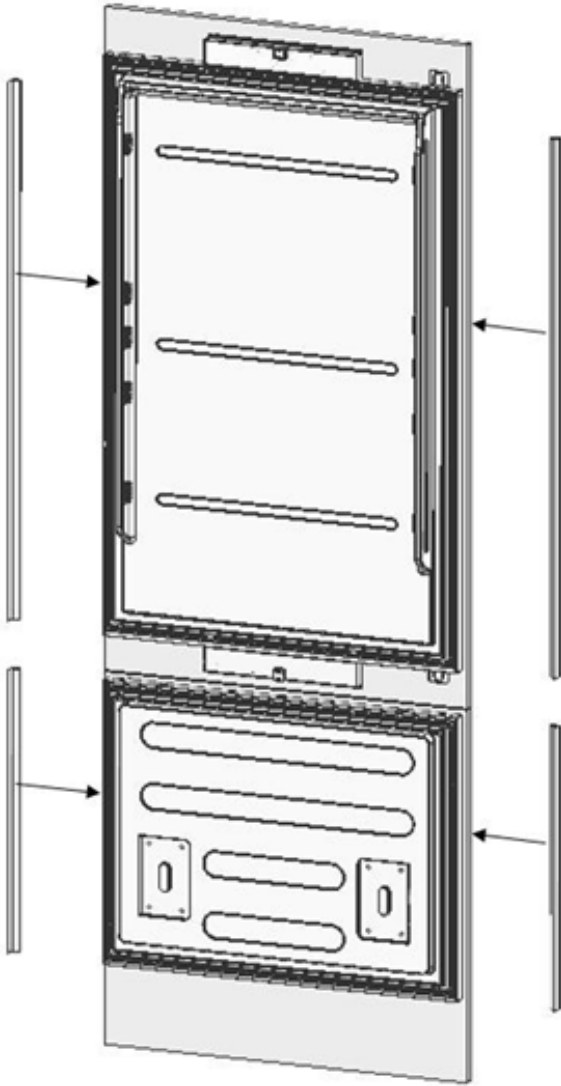
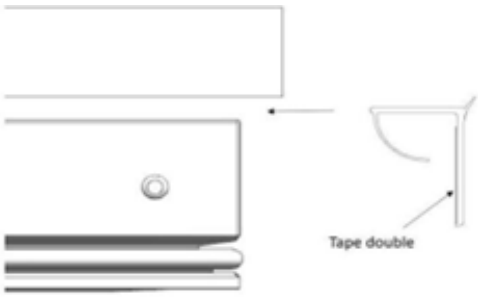
- Locate the drawer onto the rail and tighten the screws



- Attach the cover freezing door top (Item No5) using the tabs.



- Attach the Trim door side (Item No2,3)  
The backing paper of the double-sided tape should be removed before attaching the parts.



## HINGE ADJUSTMENT

Adjusting the hardness of the hinges

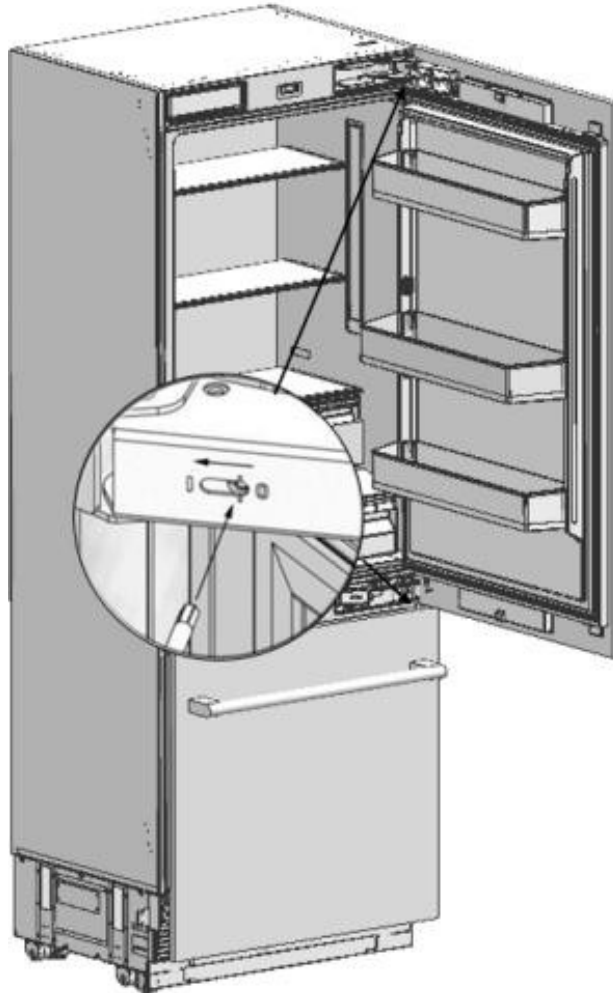
- Use a drill to adjust the hardness of the upper and lower hinges of the fridge door.
- Set the hinge adjustment screw to position "I" from position "O".

### WARNING:

The door must be fully open during this adjustment.

### WARNING:

This adjustment must definitely be performed after the door has been adjusted.



## CHANGING DIRECTION OF THE FRIDGE DOOR

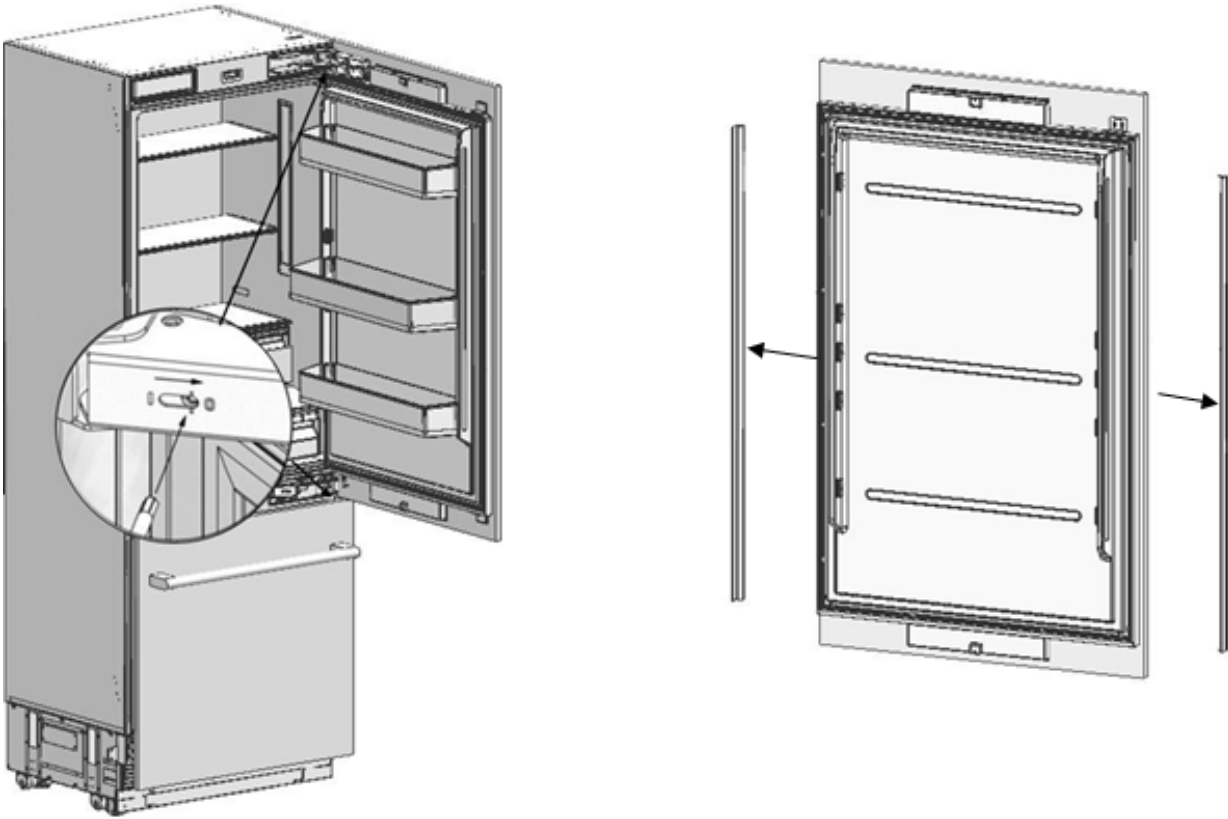
### Removing the fridge furniture door

- Set the hardness level of the hinge to "0".

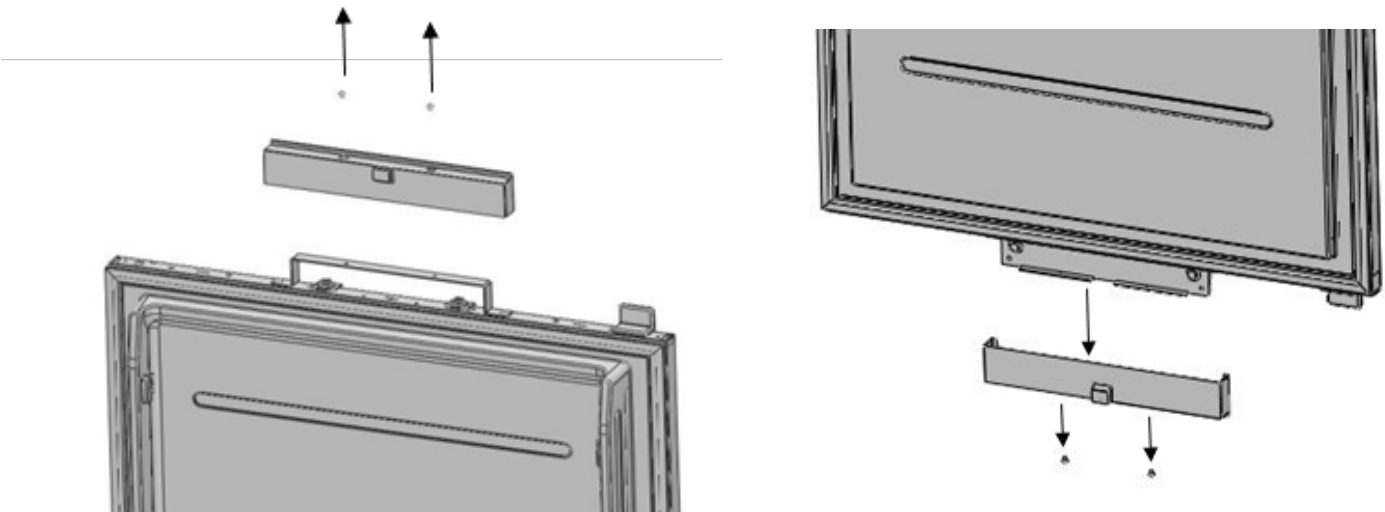
#### **ATTENTION:**

Failure to set the hinge to "0" and continuing the installation like that may cause injury.

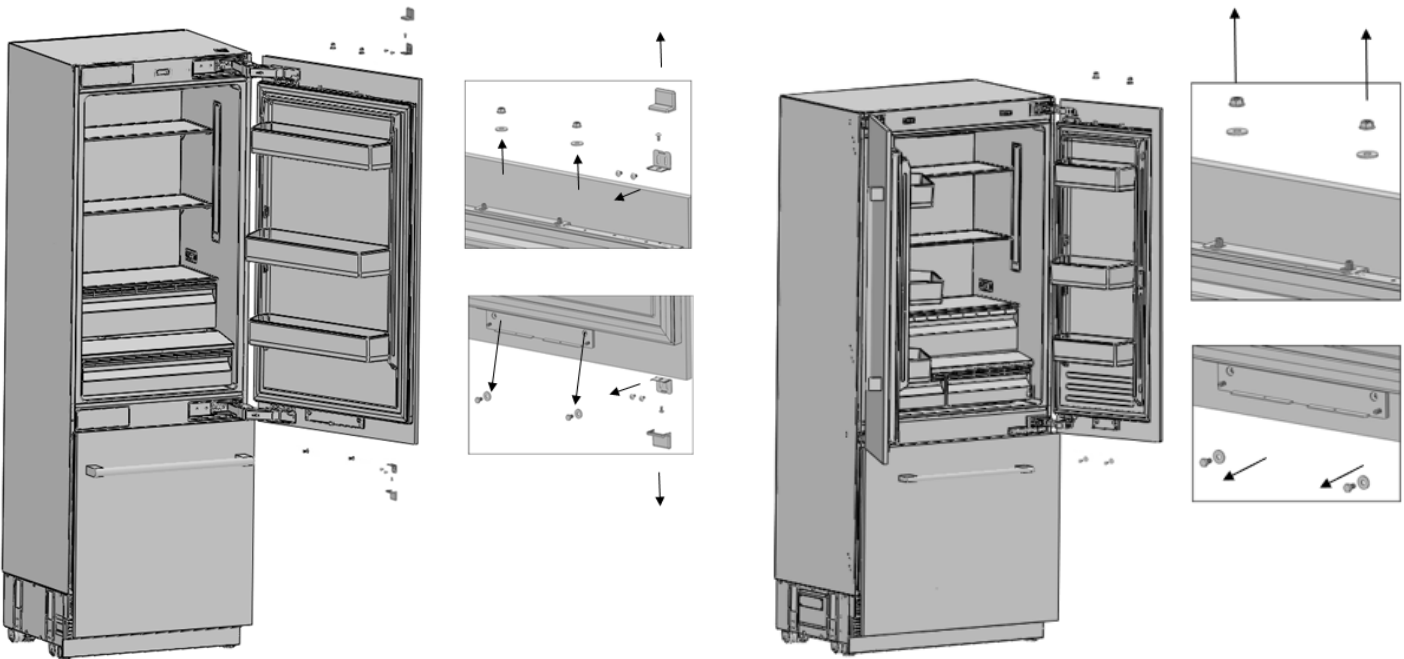
- Remove the trim fridge furniture side



- Loosen 2 screws of the upper cover of the fridge door and remove it.
- Remove the upper adjustment kits
- Loosen 2 screws of the lower cover of the fridge door and remove it.



- Remove fridge lower and upper bracket and fixing screws.



**WARNING:**

The clad door will be released when these screws are removed. You must take measures to prevent the door from falling.

You can tape the Furniture Door to the Inner Door or ask for help from another person.

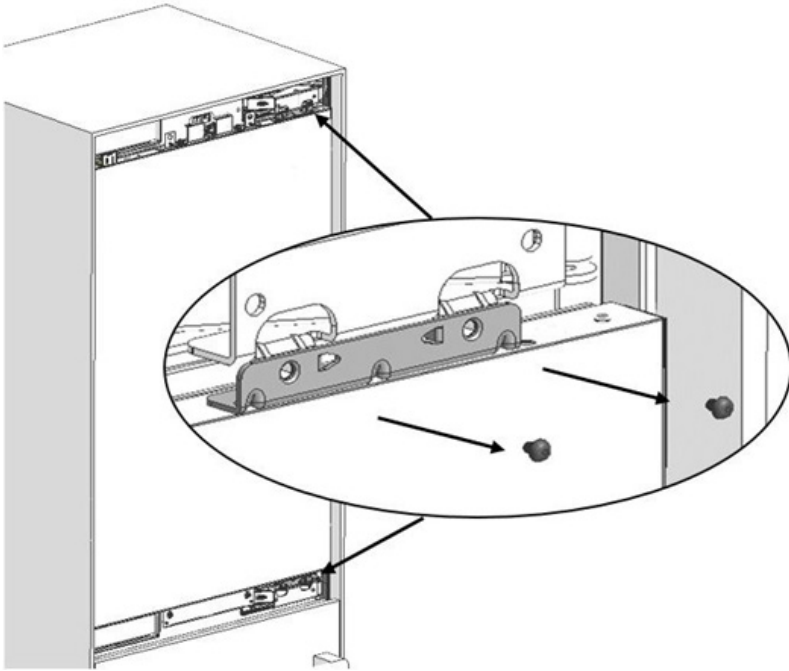
- Take the Fridge Furniture Door and lay it down on a table upside down.
- You must attach the Furniture Door by rotating it 180° based on its current position.

## Removing and Preparing the Fridge Inner Door

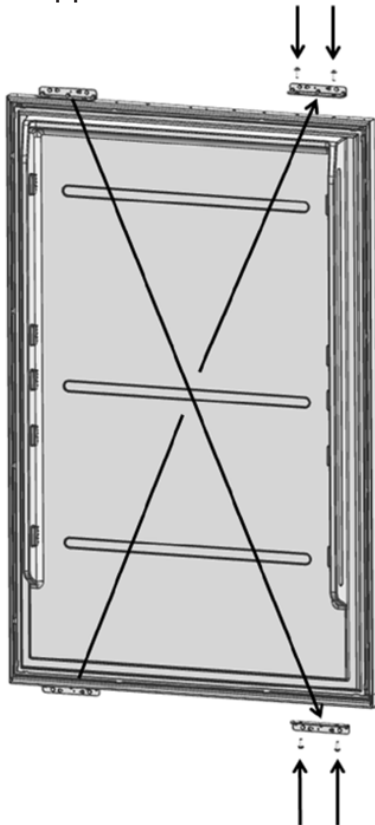
- Remove the hinge connection screws of the Hinge Brackets.

**WARNING:** The clad door will be released when these screws are removed. You must take measures to prevent the door from falling.

Recommendation: You can tape the Furniture Door to the Inner Door or ask for help from another person to support the door during this process.

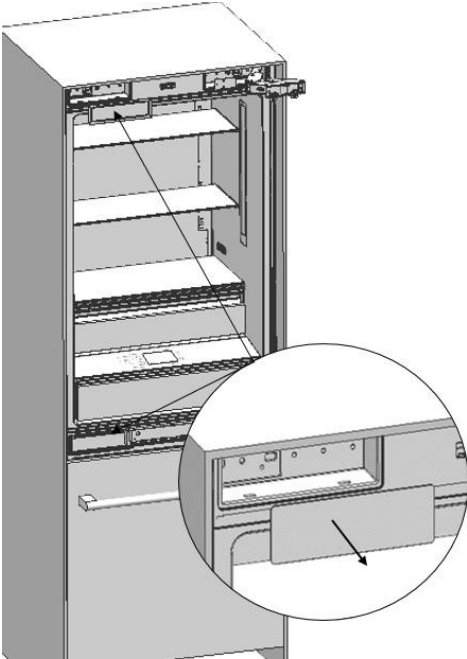


- Take out the fridge door and lay it down on a table remove the fixing parts and screw them to the opposite side of the door as shown figure.

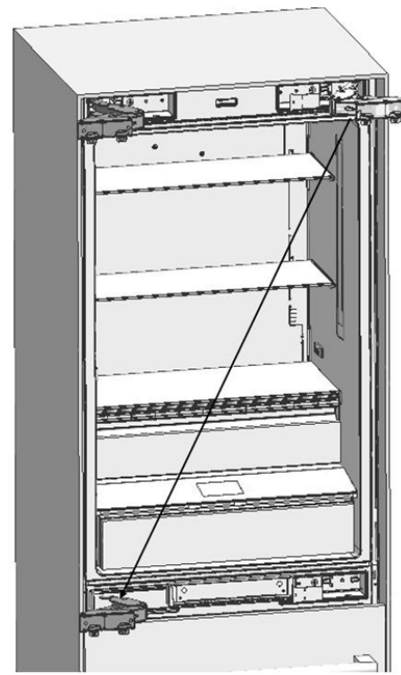
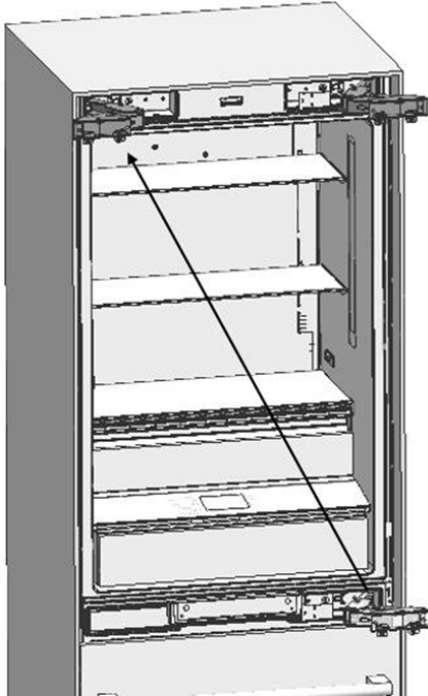


## Replacing the hinges

- Remove the Hinge Caps located at the other side where you will fix the hinges.

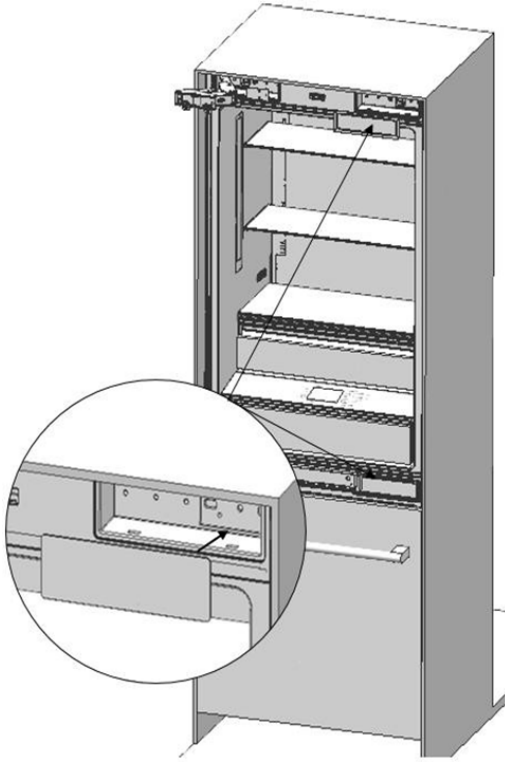


- Remove the lower right hinge by loosening its 2 screws and fix it to its slot at the upper leftside.



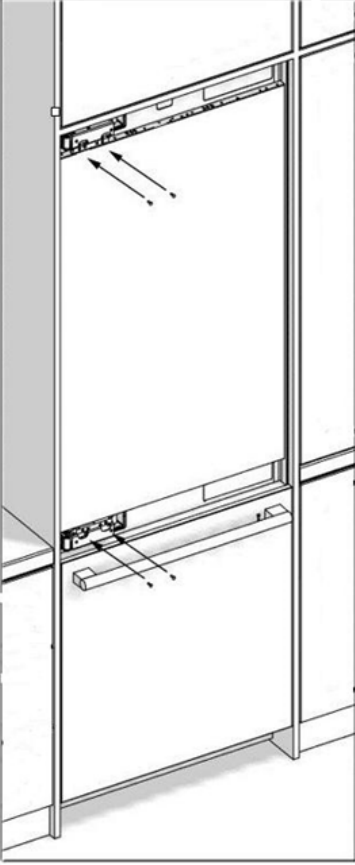
- Remove the upper right hinge by loosening its 2 screws and fix it to its slot at the lower Left side

- Attach the Hinge Slot Caps removed from the left side to the Hinge Caps at the right side.



## Installing the Fridge Door

- Place the Fridge Door to the refrigerator and fix it with 4 screws.



## INSTALLATION DUAL CABIN

Dual Cabin Installation Kit: If you are planning to make a dual cabin installation, you must definitely demand the “Dual Cabin Installation Kit” from the authorized service.

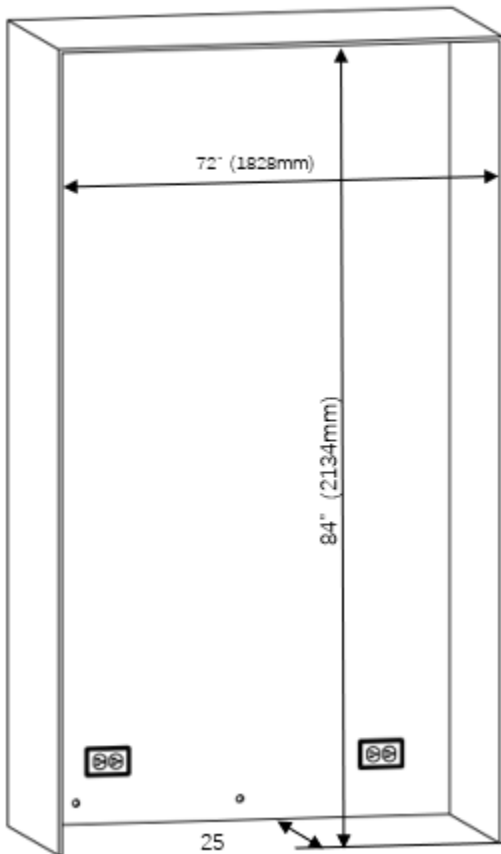
### Installation Instructions Overview:

The instructions provided are tailored for a built-in type installation.

Built-in Scenario: The appliance and its panels will fully seat into the gap, and a material that can serve as its own box is placed between two kitchen cabinets or decorative columns. This is noted as the most common installation scenario.

### Cabin Dimensions:

Before starting the installation, check the cabin dimensions listed below to ensure compatibility:



## Location of the Electrical Wiring

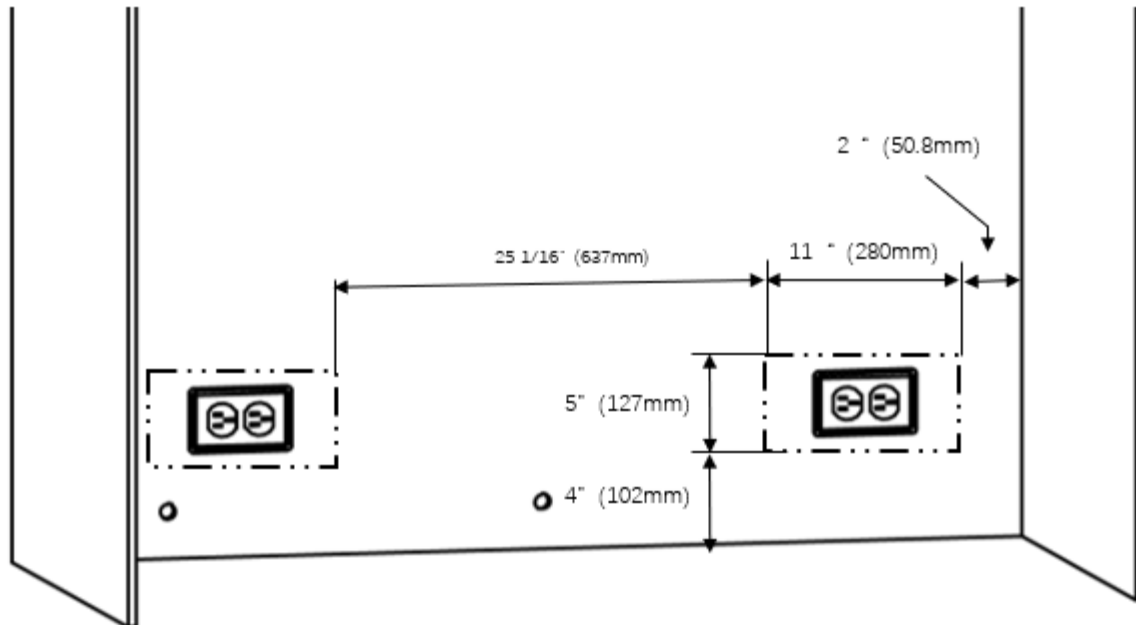
Location of the electrical wiring must be within the range given below.

### ATTENTION:

Do not use extension cables or two-pin adaptors and do not remove the ground terminal of the grounding cable.

### ATTENTION:

A qualified electrician must ensure that the poles of the socket are connected correctly. Verify that the grounding of the socket is correct.



## Location of the water system

The water connected to the water mains must be potable.

Location of the water system must be within the range given below.

Water system of the refrigerator must be connected to the water mains system in the house.

The user must be able to switch it on/off with the valve when necessary.

Objects that might pierce the water hoses or cause them to twist must not be present where the water line is installed.

Pressure of the water system must be between 25-80 psi (1.7-5.5 Bar).

If the water pressure exceeds 80 psi, install a pressure limiting device or water impact protector to the inlet valve.

Never install the product or operate the appliance if it is possible for the water pressure to exceed 120 psi.

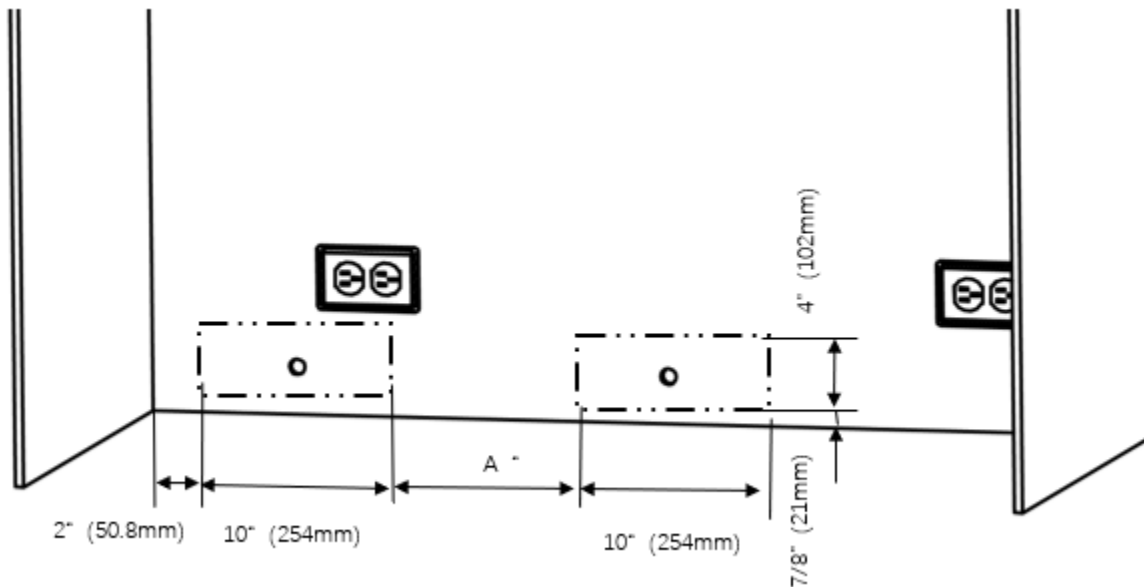
## WARNING:

Make sure that there is no water leakage when making the water connections.

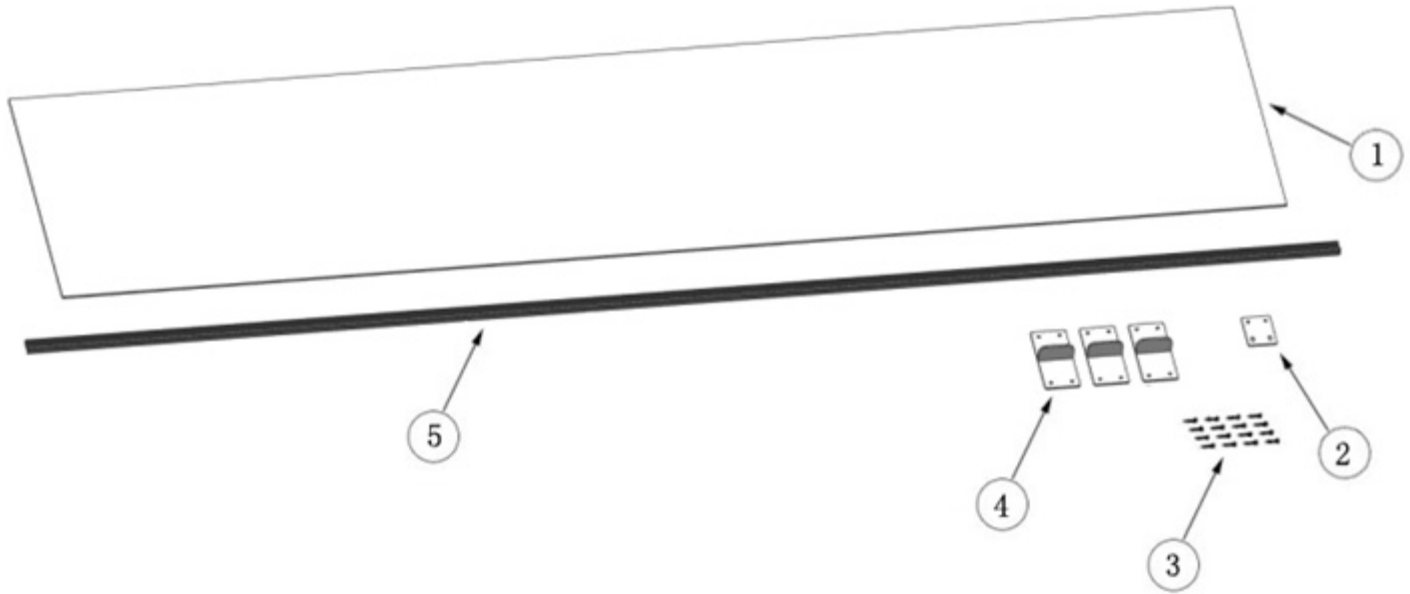
Otherwise, there will be water on the floor and the furniture will get damaged.

You will need a hose with a minimum length of 60" (1.5 meters) and a diameter of ¼" for water connections of the product during installation.

A connector that has a thread with an external diameter of ¼" must be used to connect the hose end to the product. Before completing the installation, make sure that water flows and there is no water leakage.



## Mounting Part list

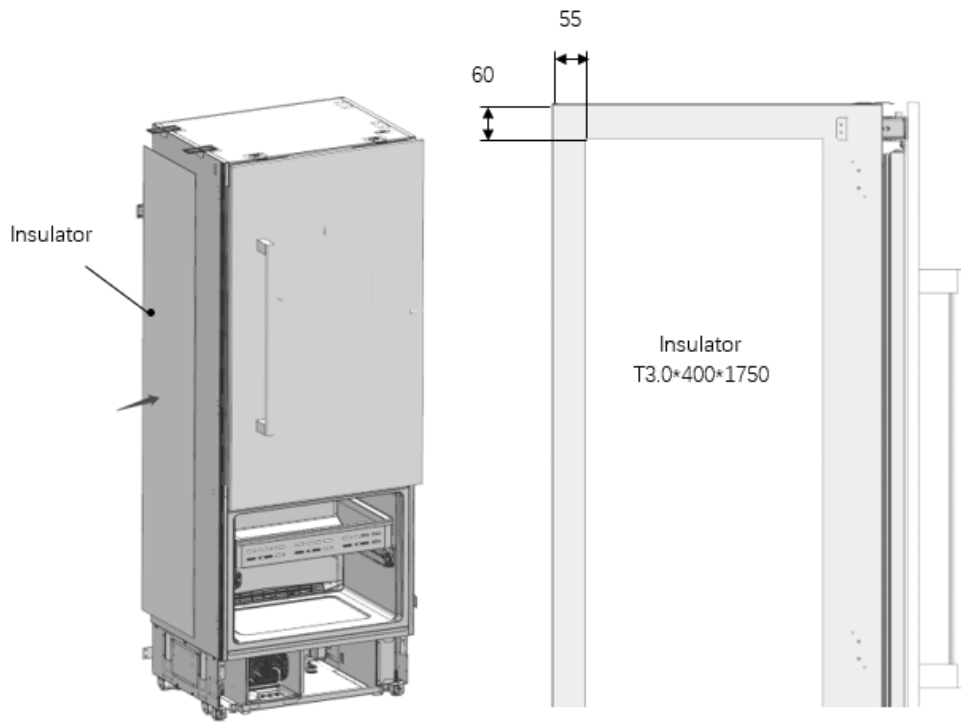


No	Part name	Spec	Q'ty
1	Insulation sponge	Sponge, gray, T3.0*400*1750	1
2	Connecting bracket	T2.0, Cr+zn-coating	2
3	Truss washer head	M4*12	16
4	Metal fastener	metal	3
5	Trim furniture middle	PVC extrusion L=1876	1



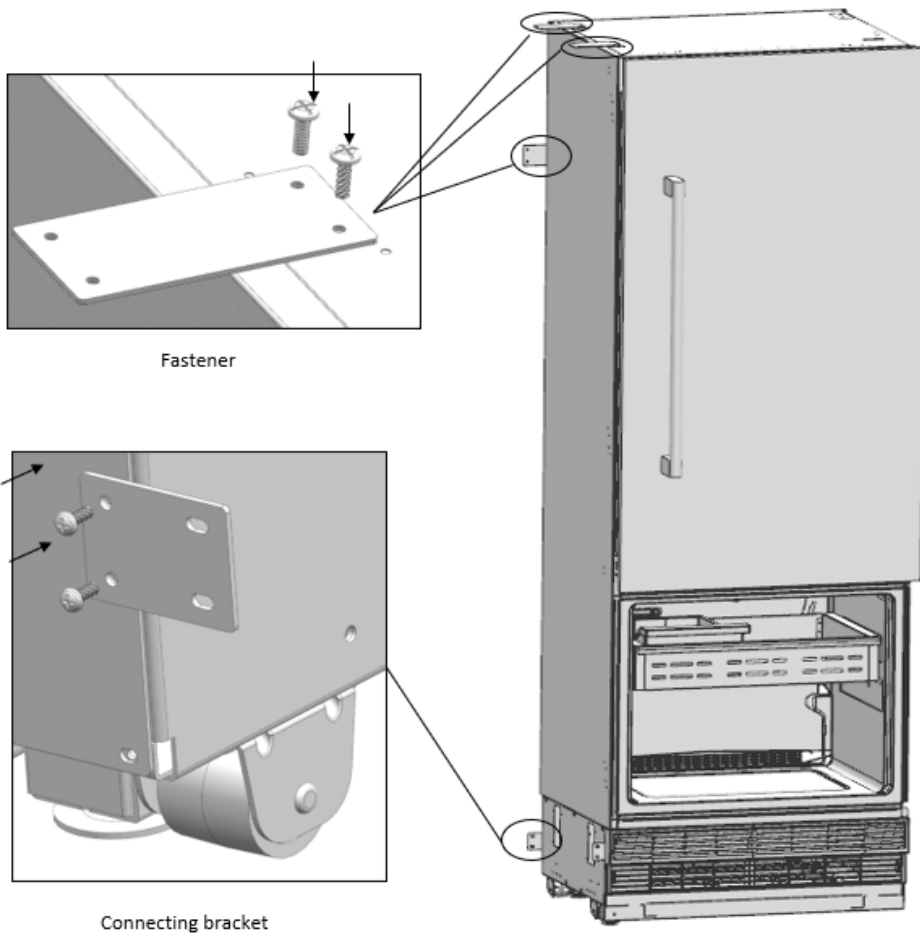
Truss washer head screw  
Spec : M4x12

Stick the Insulation Sponge (Item No1) to the side panel so that the sponge remains in between two cabins.

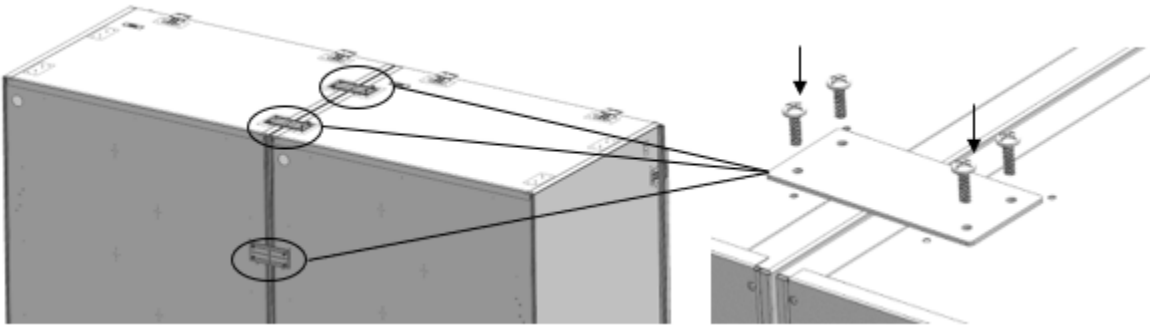


### Attaching the fasteners and connecting bracket

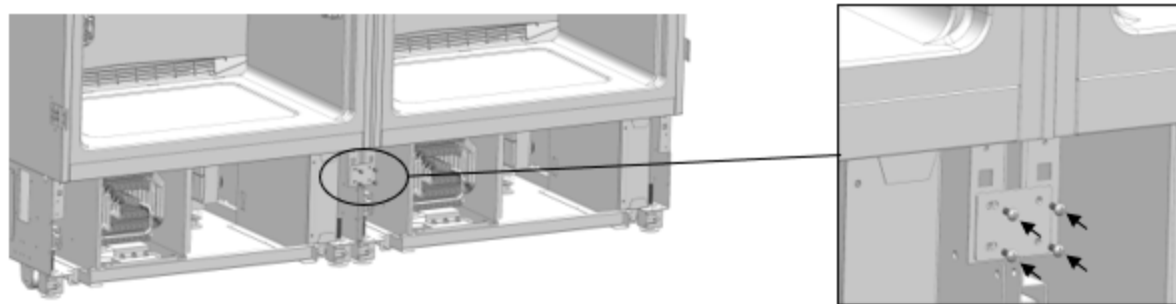
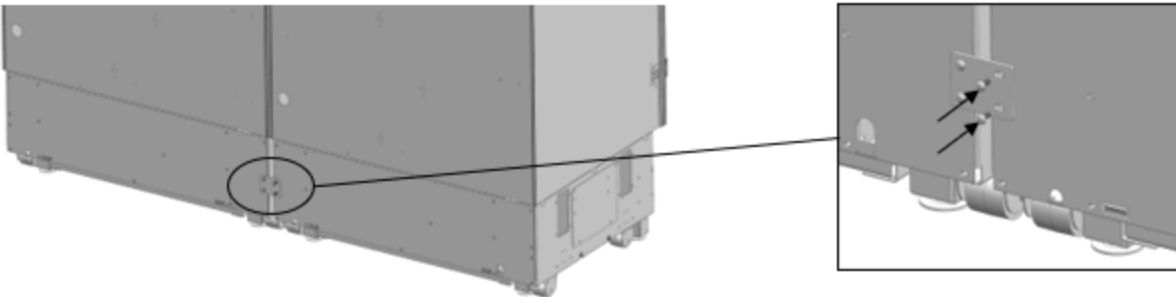
Screw the connecting bracket (Item No2) and fasteners (Item No4) that are going to connect two refrigerators together.



- Make power and water connections of the refrigerator as explained before.
- After making sure that they are in alignment Screw the upper brackets to the other refrigerator.

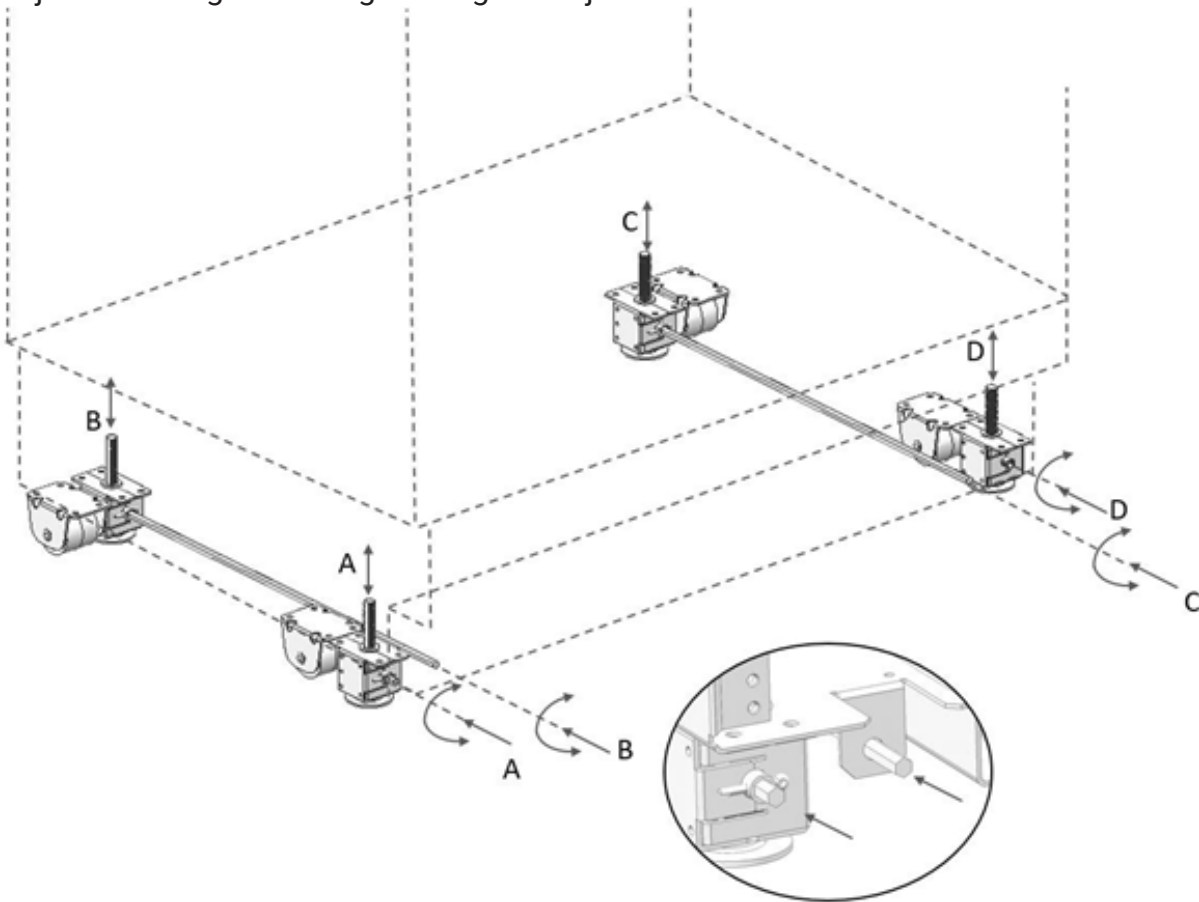


After making sure that they are in alignment screw the lower brackets to the other refrigerator.



## Adjusting the height of the refrigerator in the cabin

Adjust the refrigerator height using the adjustable feet.



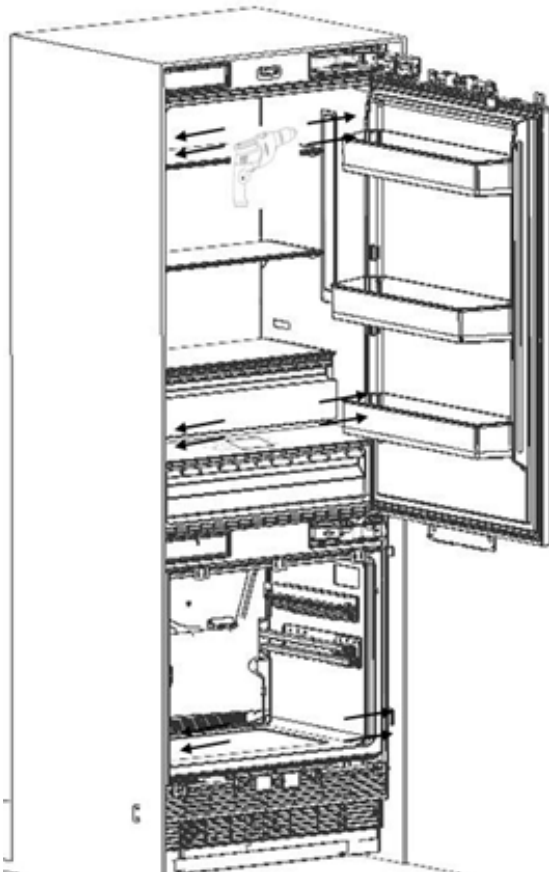
First of all, raise the front feet to reduce the risk of the cabin falling forward.

A/D – Turn the key clockwise to lift the front

B/C – Turn the key clockwise to lift the rear

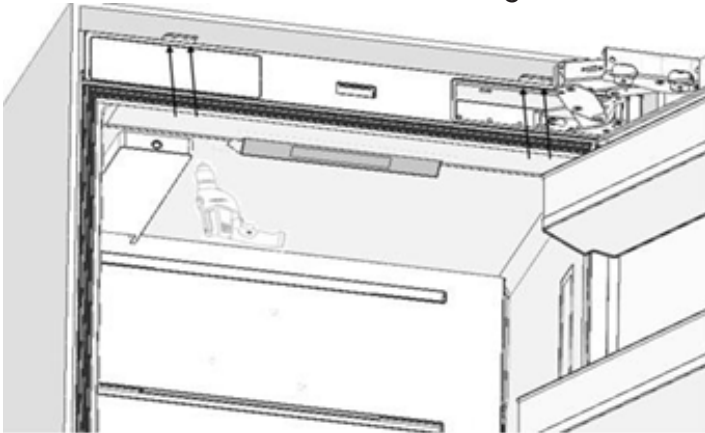
### **Screwing the bracket furniture on the cabin side wall**

Attach the cabinet- cabin connecting bracket to the furniture with 12screws.



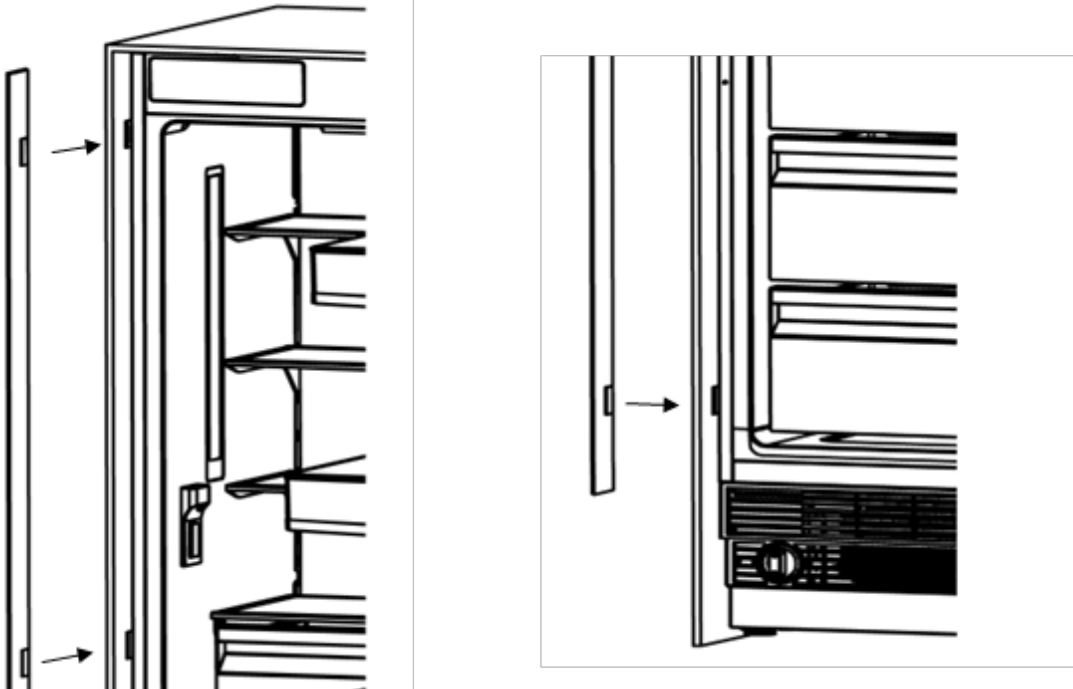
### **Screwing the bracket furniture on the cabin top wall**

Attach the cabinet- cabin connecting bracket to the furniture with 4screws.

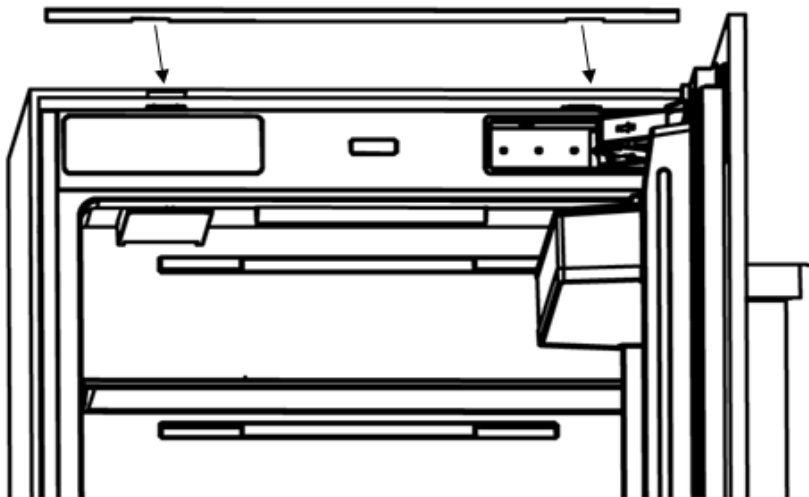


### Attaching the decorative parts

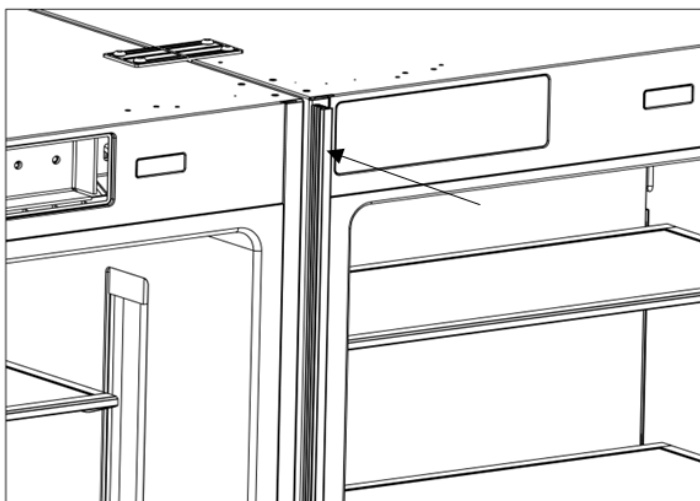
Attach the trim furniture side onto the Cabinet- cabin connecting bracket.



Attach to the trim furniture top onto the Cabinet- cabin connecting bracket.



Attach the trim furniture middle ( Item No5) between two refrigerators.



**Congragulations!**

You have succsesfully installed your Koolmore Reserve Panel Ready Appliance.  
Enjoy it for many years in good health!

if you have any feedback or issues with installation please feel free to call our customer service line at  
718 576 6342

