

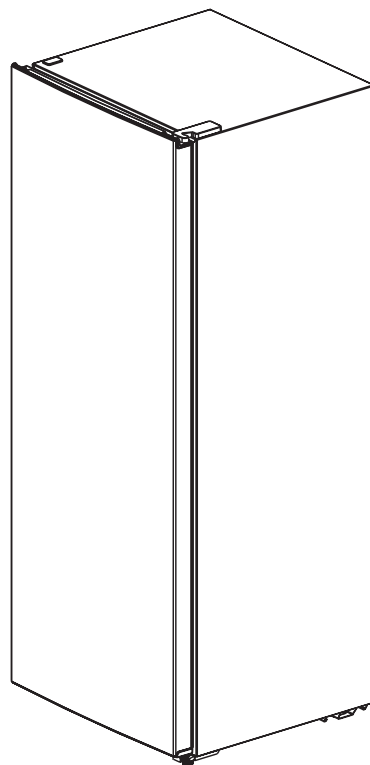


# USER MANUAL

CONVERTIBLE

## KoolMore 7 cu. ft. Convertible Upright Freezer/Refrigerator in Stainless Steel Garage Ready

Models: KM-RUF-7S



*Before using, please read the operating instructions carefully to ensure proper application and achieve satisfactory results.*

For any service-related issues, please contact us:



718-576-6342



support@koolmore.com

***Stay informed with the latest information  
for your KoolMore Appliance.***

**If you need any assistance or have questions, our customer  
support team is here to help.**

# Contents

Safety .....	4
Parts List .....	7
Operation .....	8
Door Right-Left Change .....	10
Maintenance .....	13
Troubleshooting .....	15
Warranty .....	16

# Safety

Warning: Risk of Fire / Flammable Materials

This appliance is intended to be used in household and similar applications such as staff kitchen areas in shops, offices, and other working environments; farmhouses and by clients in hotels, motels, and other residential type environments; bed and breakfast type environments; catering and similar non-retail applications.

This appliance is not intended for use by persons (including children) with reduced physical, sensory, or mental capabilities, or lack of experience and knowledge, unless they have been given supervision or instruction concerning the use of the appliance by a person responsible for their safety. Children should be supervised to ensure that they do not play with the appliance.

If the supply cord is damaged, it must be replaced by the manufacturer, its service agent, or similarly qualified persons in order to avoid a hazard.

Do not store explosive substances such as aerosol cans with a flammable propellant in this appliance.

The appliance has to be unplugged after use and before carrying out user maintenance on the appliance.

Warning: Keep ventilation openings, in the appliance enclosure or in the built-in structure, clear of obstruction.

Warning: Do not use mechanical devices or other means to accelerate the defrosting process, other than those recommended by the manufacturer.

Warning: Do not damage the refrigerant circuit.

Warning: Do not use electrical appliances inside the food storage compartments of the appliance unless they are of the type recommended by the manufacturer.

Warning: Please abandon the refrigerator according to local regulations if it uses flammable blowing gas and refrigerant.

Warning: When positioning the appliance, ensure the supply cord is not trapped or damaged.

Warning: Do not locate multiple portable socket-outlets or portable power supplies at the rear of the appliance.

Do not use extension cords or ungrounded (two prong) adapters.

Warning: Risk of child entrapment. Before you throw away your old refrigerator or freezer:

Take off the doors.

Leave the shelves in place so that children may not easily climb inside.

The refrigerator must be disconnected from the source of electrical supply before attempting the installation of an accessory.

## Refrigerant

Refrigerant and cyclopentane foaming material used for the appliance are flammable. Therefore, when the appliance is scrapped, it shall be kept away from any fire source and be recovered by a special recovery company with corresponding qualification other than be disposed of by combustion, so as to prevent damage to the environment or any other harm.

The necessity that, for doors or lids fitted with locks and keys, the keys be kept out of the reach of children and not in the vicinity of the refrigerating appliance, in order to prevent children from being locked inside.

Warning: To avoid a hazard due to instability of the appliance, it must be fixed in accordance with the instructions.

Warning: Connect to potable water supply only. (Suitable for ice making machine)

Warning: To Prevent a Child from Being Entrapped, Keep Out Of Reach Of Children And Not In The Vicinity Of Freezer (Or Refrigerator). (Suitable for products with locks)

## Electricity Related Warnings

- Do not pull the power cord when pulling the power plug of the upright freezer. Please firmly grasp the plug and pull it out from the socket directly.
- Do not damage the power cord under any condition so as to ensure safety use. Do not use when the power cord is damaged or the plug is worn.
- Worn or damaged power cord should be replaced by manufacturer authorized maintenance stations.
- The power plug should be firmly contacted with the socket or else fires might be caused. Please ensure that the grounding electrode of the power socket is equipped with a reliable grounding line.
- Please turn off the valve of the leaking gas and then open the doors and windows in case of leakage of gas and other flammable gases. Do not unplug the upright freezer and other electrical appliances considering that spark may cause a fire.
- To ensure safety, it is not recommended to place regulators, rice cookers, microwave ovens and other appliances on the top of the upright freezer, those recommended by the manufacturer are not included. Do not use electrical appliances in the food pan.

## Related Warnings for Use

- Do not arbitrarily disassemble or reconstruct the upright freezer, nor damage the refrigerant circuit; maintenance of the appliance must be conducted by a specialist.
- Damaged power cord must be replaced by the manufacturer, its maintenance department or related professionals in order to avoid danger.

- The gaps between upright freezer doors and between doors and upright freezer body are small, be noted not to put your hand in these areas to prevent from squeezing the finger. Please be gentle when opening the upright freezer door to avoid falling articles.
- Do not put foods or containers with wet hands in the freezing chamber when the upright freezer is running, especially metal containers in order to avoid frostbite.
- Do not allow children to enter or climb the upright freezer to prevent that children are sealed in the upright freezer or children are injured by the falling upright freezer.
- Do not spray or wash the upright freezer; do not put the upright freezer in moist places easy to be splashed with water so as not to affect the electrical insulation properties of the upright freezer.
- Do not place heavy objects on the top of the upright freezer considering that objects may fall when opening the door, and accidental injuries might be caused.
- Please pull out the plug in case of power failure or cleaning. Do not connect the upright freezer to the power supply within five minutes to prevent damages to the compressor due to successive starts.

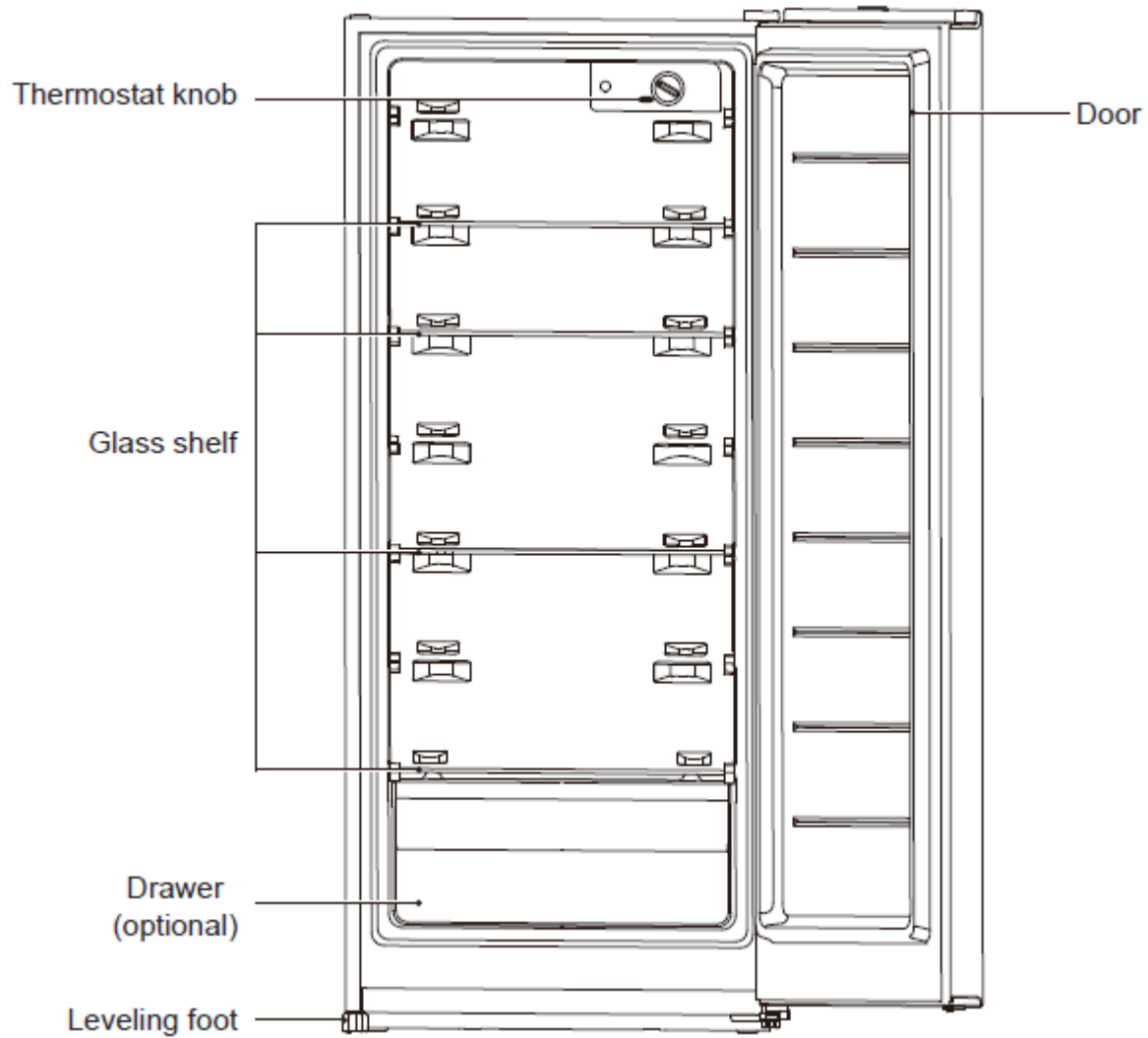
### **Warnings Related to Placing Items**

- Do not put flammable, explosive, volatile, and highly corrosive items in the upright freezer to prevent damage to the product or fire accidents.
- Do not place flammable items near the upright freezer to avoid fires.
- This product is a household upright freezer and shall be only suitable for the storage of foods. According to national standards, the household upright freezer shall not be used for other purposes, such as storage of blood, drugs, or biological products.
- Do not place items such as bottled or sealed containers of fluid, such as bottled beers and beverages, in the upright freezer to prevent bursts and other losses.

### **Warnings for Energy**

- Upright freezer might not operate consistently when sited for an extended period of time below the cold end of the range of temperatures for which the upright freezer appliance is designed.
- The fact that the effervescent drinks should not be stored in food upright freezer compartments or cabinets or in low-temperature compartments or cabinets, and that some products such as water ices should not be consumed too cold.
- The need not to exceed the storage time recommended by the food manufacturers for any kind of food and particularly for commercially quick-frozen food in food-upright freezer and frozen-food storage compartments or cabinets.
- The precautions necessary to prevent an undue rise in the temperature of the frozen food while defrosting the upright freezer appliance, such as wrapping the frozen food in several layers of newspaper.
- The fact that a rise in temperature of the frozen food during manual defrosting, maintenance or cleaning could shorten the storage life.
- The necessity that, for doors or lids fitted with locks and keys, the keys be kept out of the reach of children and not in the vicinity of the upright freezer appliance, in order to prevent children from being locked inside.

# Parts



# Operation

- The low temperature of the upright freezer may keep food fresh for a long time and it is mainly used to store frozen foods and making ice.
- The upright freezer is suitable for the storage of meat, fish, shrimp, dumplings, rice balls, and other foods not to be consumed in the short term.
- Chunks of meat are preferably to be divided into small pieces for easy access. Please be noted food shall be consumed within the shelf time.

When the machine is in freezing mode, please cut off the power in time and defrost it manually under the following two conditions. Defrosting water shall be treated outside the cabinet, and the space inside shall be cleaned:

When the machine is in freezing mode for a long time, the inner wall of the cabinet will frost, and the frost will thicken with time, which will affect its cooling effect. In this case, please cut off the power in time for manual defrosting, clean the inner wall, and then power on to continue using the machine. When the freezing mode is switched to the refrigeration mode, the temperature inside the cabinet will rise. In order to avoid a large amount of defrosting water flowing out of the box and damaging the floor and other items, please cut off the power for manual defrosting before putting food in.

Warm reminder: When the machine is in refrigeration mode (including when the freezer mode is adjusted to refrigeration mode), there will be condensation on the top and bottom of the box. It is recommended to place packaged food in the top space. When there is more condensation inside the box, please use a towel to dry it to avoid affecting your normal use.

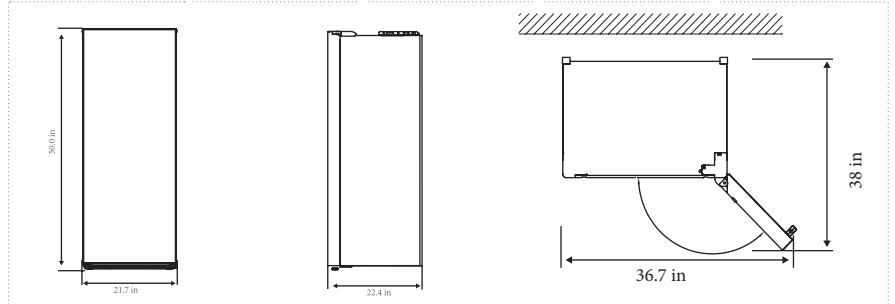
## Temperature Control

- After the upright freezer is powered on, when the temperature control knob rotates clockwise, the temperature in the freezer will gradually decrease, and when it rotates counterclockwise, the temperature will gradually increase; when the knob is adjusted within the scope of "COOLING," the box is a refrigerator; when the knob is adjusted within the scope of "FREEZING," the box is frozen.
- "OFF" file indicates stop.
- When selecting the refrigeration function, it is recommended that the temperature control knob be set in the middle of the refrigeration icon area. During refrigeration, there may be water drops on the inner wall of the liner, which is normal and the refrigerator can be used normally.

## Placement

- Before using the upright freezer, remove all packaging materials including bottom cushions and foam pads and tapes inside the upright freezer, tear off the protective film on the door and the upright freezer body.

- Keep away from heat and avoid direct sunlight. Do not place the upright freezer in moist or watery places to prevent rust or reduction of insulating effect.  
The upright freezer should be placed in a well-ventilated indoor place; the ground shall be flat and sturdy.
- The top space of the upright freezer shall be greater than 12 inches, and the distances from both sides and backside shall be more than 4 inches to facilitate heat dissipation.



**Start to Use**

- The upright freezer shall stay for half an hour before connecting power when it is firstly started.
- The upright freezer shall run 2 to 3 hours before loading fresh or frozen foods; the upright freezer shall run for more than 4 hours in summer in advance considering that the ambient temperature is high.

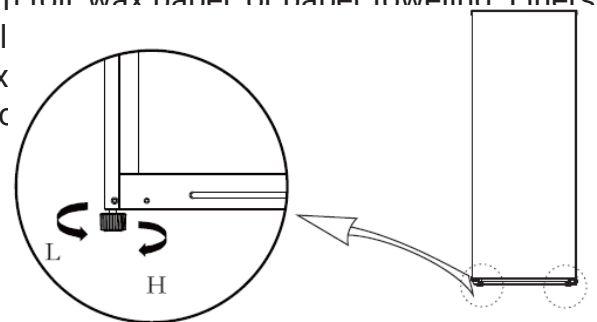
**Energy Saving Tips**

- The appliance should be located in the coolest area of the room, away from heat-producing appliances or heating ducts, and out of direct sunlight.
- Let hot foods cool to room temperature before placing them in the appliance. Overloading the appliance forces the compressor to run longer. Foods that freeze too slowly may lose quality or spoil.
- Be sure to wrap foods properly, and wipe containers dry before placing them in the appliance. This cuts down on frost build-up inside the appliance.
- Appliance storage bin should not be lined with aluminum foil, wax paper, or paper toweling. Liners interfere with cold air circulation, making the appliance less efficient.
- Organize and label food to reduce door openings and excess door openings as needed at one time, and close the door as soon as possible.

**Leveling Foot**

Adjusting procedures:

- Turn the foot clockwise to raise the upright freezer;
- Turn the foot counterclockwise to lower the upright freezer;
- Adjust the right and left foot based on the procedures above to a horizontal level.



## Door Right-Left Change (Optional)

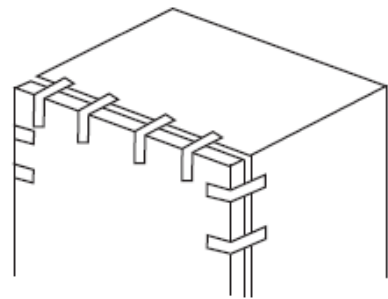
List of tools to be provided by the user:

- Cross screwdriver
- Thin-blade screwdriver
- Masking tape

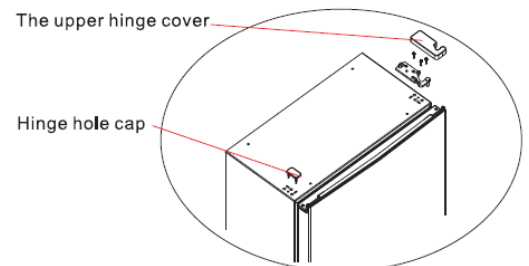
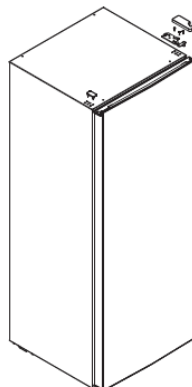
### Parts to be used for door reverse:

Number	Name	Number	Note
1	Right upper hinge	1	Pre-installed on the refrigerator, removed when the door is reversed, and kept for future use
2	Upper right hinge cover	1	Pre-installed on the refrigerator, removed when the door is reversed, and kept for future use
3	Hole cover	1	Pre-installed on the refrigerator, still used when door is reversed
4	Stopper	1	Pre-installed on the refrigerator, still used when door is reversed
5	Stopper lower hinge	1	Pre-installed on the refrigerator, still used when door is reversed
6	Leveling foot	1	Pre-installed on the refrigerator, still used when door is reversed
7	Left upper hinge	1	In the attached plastic bag, take them out for use when door is reversed
8	Upper left hinge cover	1	In the attached plastic bag, take them out for use when door is reversed

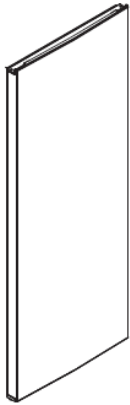
1. Remove all food from door shelves. Fix the door by tapes.



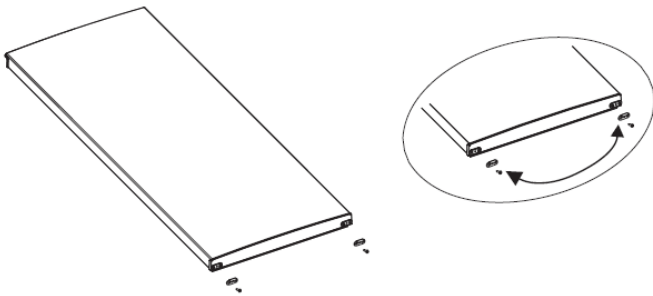
2. Dismantle hinge hole cap, the upper right hinge cover, fitting screws of upper right hinge, and remove the upper right hinge. Please keep the door vertical during the whole process to avoid falling down.



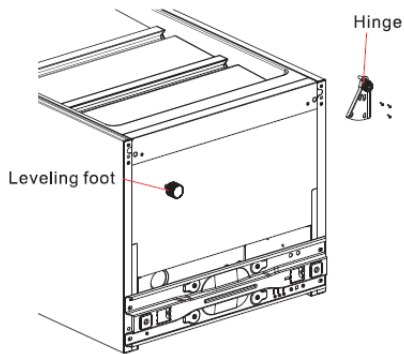
3. Remove the door.



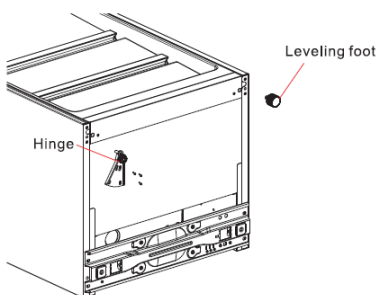
4. Dismantle the door stopper, and install it on the other side.



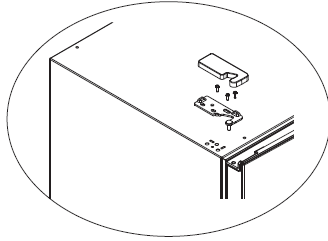
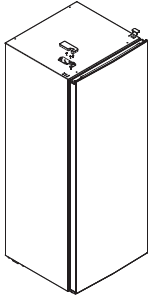
5. Dismantle the lower hinge and leveling foot.



6. Install the lower hinge on the left side of the cabinet and the leveling foot on the right side.



7. Put the door on the lower hinge vertically, and validate the gas tightness of the door gasket. Take out the spare upper left hinge and hinge cover from the accessory bag, then install the upper left hinge by fitting screws. Finally, install the hinge cover, and cover the hinge hole cap on the upper right side.



# Maintenance

Put the door on the lower hinge vertically, and validate the gas tightness of the door gasket. Take out the spare upper left hinge and hinge cover from the accessory bag, then install the upper left hinge by fitting screws. Finally, install the hinge cover, and cover the hinge hole cap on the upper right side.

## Cleaning

Dust behind the upright freezer and on the ground shall be timely cleaned to improve the cooling effect and energy saving.

Check the door gasket regularly to make sure there are no debris.

Clean the door gasket with a soft cloth dampened with soapy water or diluted detergent.

The interior of the upright freezer should be cleaned regularly to avoid odor. Please turn off the power before cleaning the interior, remove all foods, drinks, shelves, drawers, etc.

Use a soft cloth or sponge to clean the inside of the refrigerator with two tablespoons of baking soda and a quart of warm water. Then rinse with water and wipe clean. After cleaning, open the door and let it dry naturally before turning on the power.

For areas that are difficult to clean in the upright freezer (such as narrow sandwiches, gaps, or corners), it is recommended to wipe them regularly with a soft rag, soft brush, etc., and when necessary, combine with some auxiliary tools (such as thin sticks) to ensure no contaminants or bacteria accumulation in these areas.

Do not use soap, detergent, scrub powder, spray cleaner, etc., as these may cause odors in the interior of the upright freezer or contaminated food.

Clean the bottle frame, shelves, and drawers with a soft cloth dampened with soapy water or diluted detergent. Dry with a soft cloth or dry naturally.

Wipe the outer surface of the upright freezer with a soft cloth dampened with soapy water, detergent, etc., and then wipe dry.

Do not use hard brushes, clean steel balls, wire brushes, abrasives (such as toothpastes), organic solvents (such as alcohol, acetone, banana oil, etc.), boiling water, acid or alkaline items, which may damage the cooler surface and interior. Boiling water and organic solvents such as benzene may deform or damage plastic parts.

Do not rinse directly with water or other liquids during cleaning to avoid short circuits or affect electrical insulation after immersion.

Please unplug the upright freezer for defrost and cleaning.

## Defrost

The upright freezer shall be manually defrosted. Disconnect the plug from the wall socket, open the door and remove all the food to a cool place. It is recommended to remove the frost by a plastic scraper, or let the temperature rise naturally until the frost melts. Then wipe away the remaining ice and water, and plug in the socket for switching on the freezer.

Other mechanical devices or other means shall not be used to accelerate except those recommended by the manufacturer. Do not damage the refrigerant circuit.

## **Stop Using**

Power failure: Foods can be preserved for a couple of hours even in summer in case of power failure; it is recommended to reduce the frequency of opening the door and do not put fresh foods into the upright freezer.

Long-time nonuse: Please unplug the upright freezer if left unused for a long time for cleaning. Keep the door open to avoid the bad odor.

Moving: Do not turn upside or vibrate the upright freezer, the carrying angle cannot be greater than 45°. Do not hold the door and hinge when moving this unit.

Continuous operation is recommended when the upright freezer is started. Please do not stop the upright freezer under normal circumstances so as not to affect the upright freezer's service life.

# Troubleshooting

The following simple issues can be handled by the user. Please call the customer service department if the issues are not resolved.

Issue	Possible Cause and Solution
<b>Not working</b>	Ensure the upright freezer is plugged in and connected to power. Check for low voltage. Verify the temperature control knob is in the correct position. Inspect for power failure or tripping circuit.
<b>Odor</b>	Wrap odorous foods closely. Check for rotten foods. Clean the interior thoroughly.
<b>Long-term operation of compressor</b>	It is normal for the compressor to run longer in summer when the ambient temperature is higher. Avoid putting too much food in the freezer at one time and do not store hot foods. Minimize frequent door openings. Defrost if there is thick frost.
<b>Door not closing properly</b>	Check if the door is blocked by food packages. Ensure there is not too much food. Verify the freezer is balanced.
<b>Loud noises</b>	Ensure the floor is flat and the freezer is stable. Check if all accessories are properly placed.
<b>Difficulty opening door</b>	After refrigeration, pressure differences between the inside and outside of the freezer can cause temporary difficulty in door opening. This is a normal physical phenomenon.
<b>Overheating on sidewall</b>	The freezer enclosure may emit heat during operation, especially in summer, due to condenser radiation. This is normal.
<b>Surface condensation</b>	Condensation may appear on the exterior surface and door seals when humidity is high. Wipe with a dry towel.
<b>Airflow sound, buzz, clatter</b>	Refrigerants in the lines will produce normal sounds. Buzzing may occur during compressor startup or shutdown. The solenoid valve or electric switch valve may clatter, which is normal and does not affect operation.



# WARRANTY

---

## LIMITED WARRANTY

Koolmore Supply, Inc. extends a limited warranty to the original purchaser, guaranteeing that this Koolmore product is free from manufacturing defects in material or workmanship for one year from the date of purchase.

Should you discover any such defect within the warranty period, Koolmore Supply, Inc., reserves the right to repair or replace the product without charge, or to cover the cost of replacement parts and repair labor needed to correct defects present at the time of purchase or resulting from regular usage, when the appliance has been installed, operated, and maintained as per the instructions provided.

At its sole discretion, Koolmore Supply Inc. may decide to replace the product. In such an event, your replacement

appliance will carry the warranty for the remaining term of the original unit's warranty period.

This warranty is valid exclusively to the original purchaser of the product and only applicable within the United States. The warranty commences from the date of original consumer purchase. Proof of the original purchase date will be required to obtain service under this warranty.

Under this limited warranty, your sole and exclusive remedy will be product repair, as outlined above. All services must be provided by a Koolmore-designated service company.

To claim warranty or request repair service:

Email [support@koolmore.com](mailto:support@koolmore.com). Please include your name, address, phone number, warranty repair request, and a copy of your proof of purchase receipt. Alternatively, visit [koolmore.com](http://koolmore.com) and use the contact us page. A Koolmore customer service representative will promptly arrange service for your appliance.

We thank you for choosing Koolmore.

## WARRANTY EXCLUSIONS

---

This limited warranty will not cover:

1. Failure of the product to perform during power failures or interruptions, or due to inadequate electrical service.
2. Damage incurred during transportation or handling.
3. Damage caused by accidents, vermin, lightning, winds, fire, floods, or acts of God.
4. Damage resulting from accidents, alterations, misuse, abuse, improper installation, repair, or maintenance.

This includes using any external device that alters or converts the voltage or frequency of electricity.

5. Unauthorized product modifications, repairs by unauthorized centers, or use of non-approved replacement parts.
6. Abnormal cleaning and maintenance not aligned with the user's manual.
7. Use of incompatible accessories or components.
8. Any costs associated with repairs or replacements under these excluded circumstances shall be the responsibility of the consumer.



