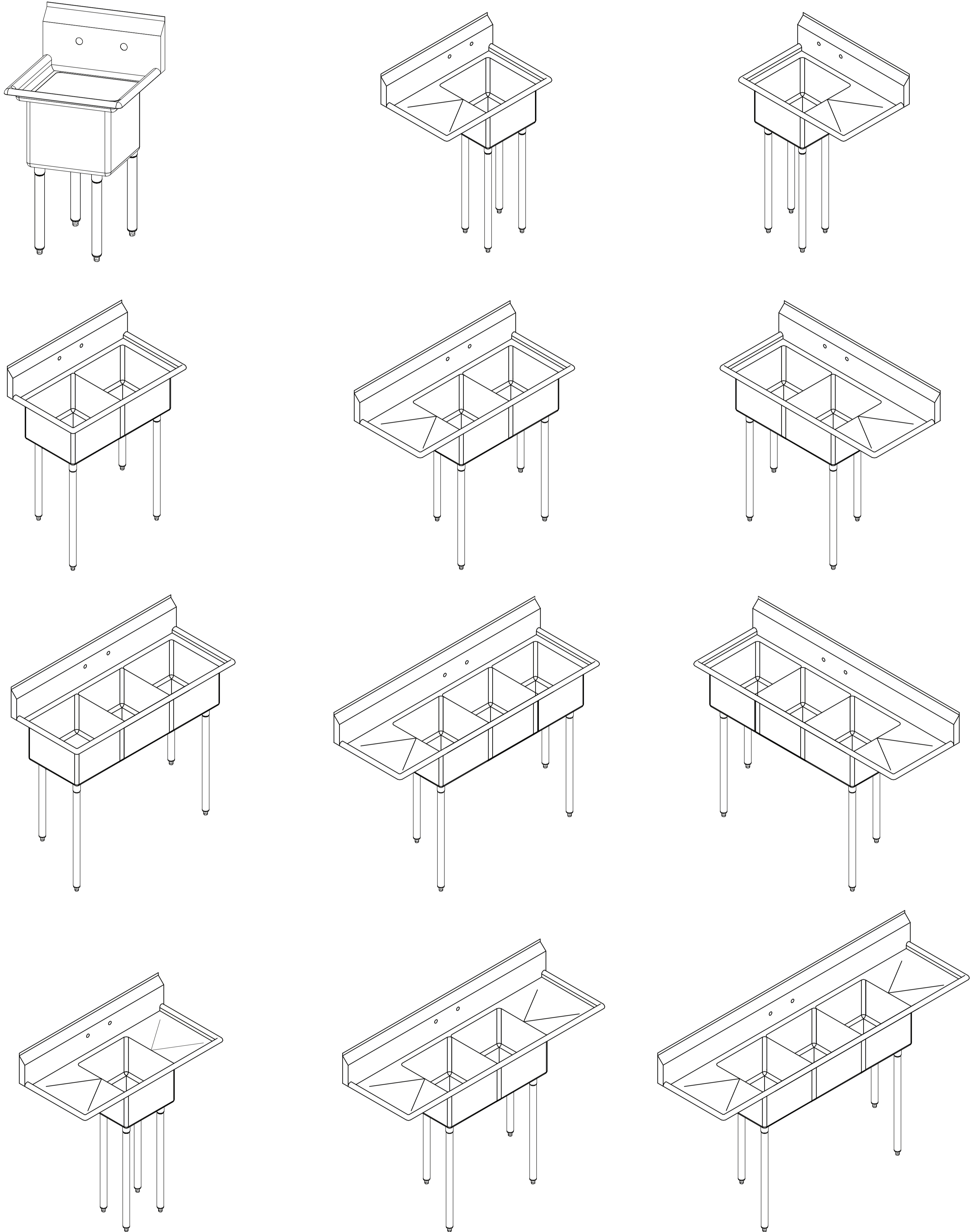
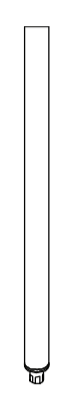
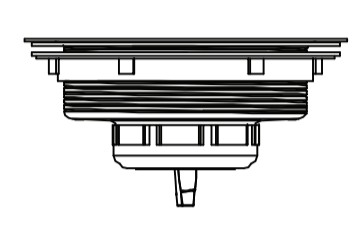
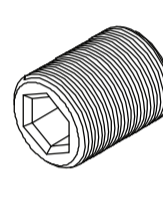
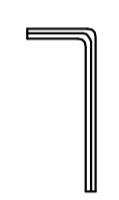


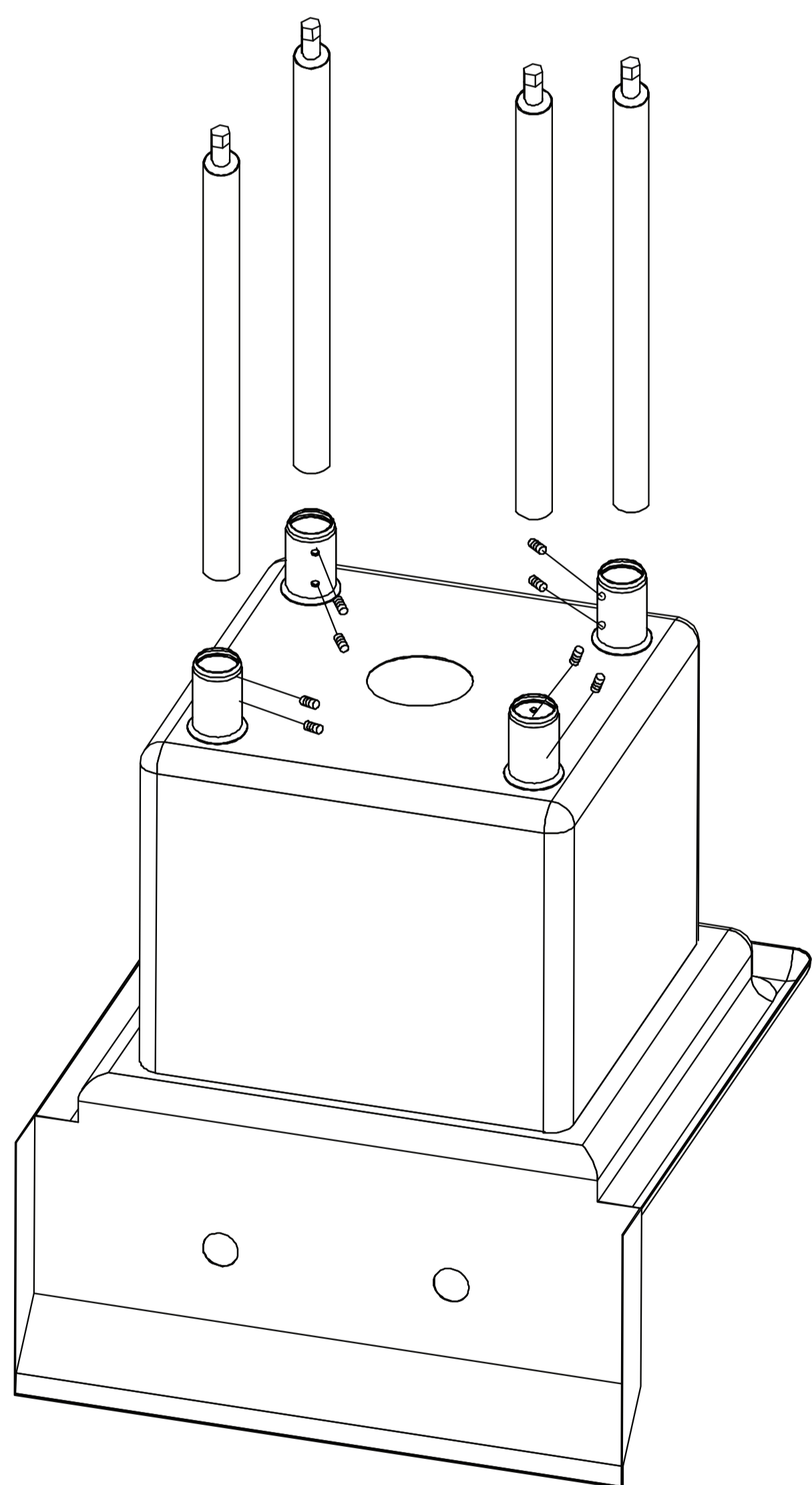
# COMPARTMENT SINK

## Commercial Stainless Steel Compartment Sink

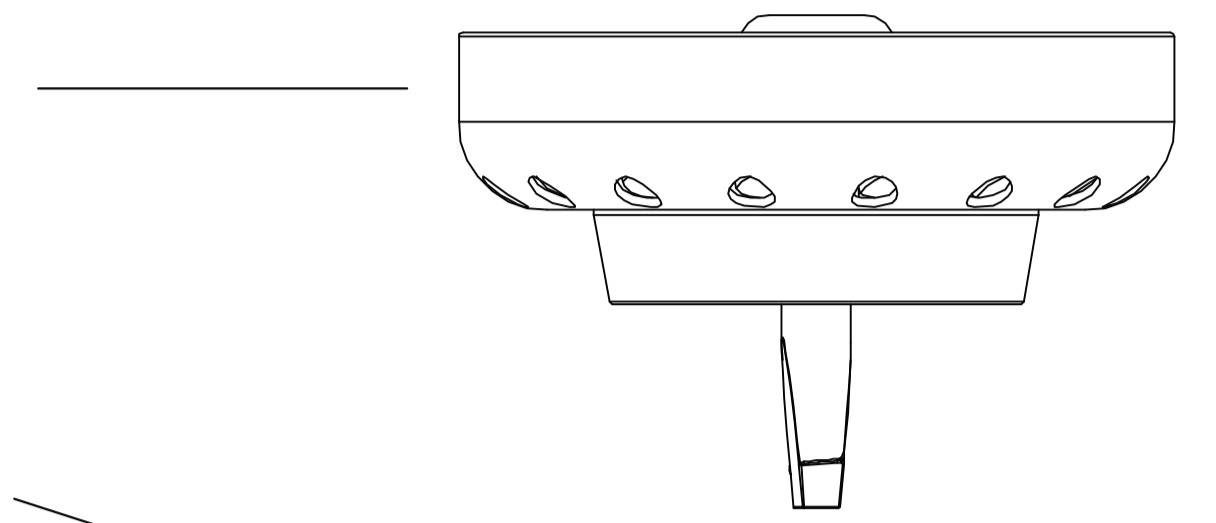


***Unit must be kept  
clear of combustibles at all times.***

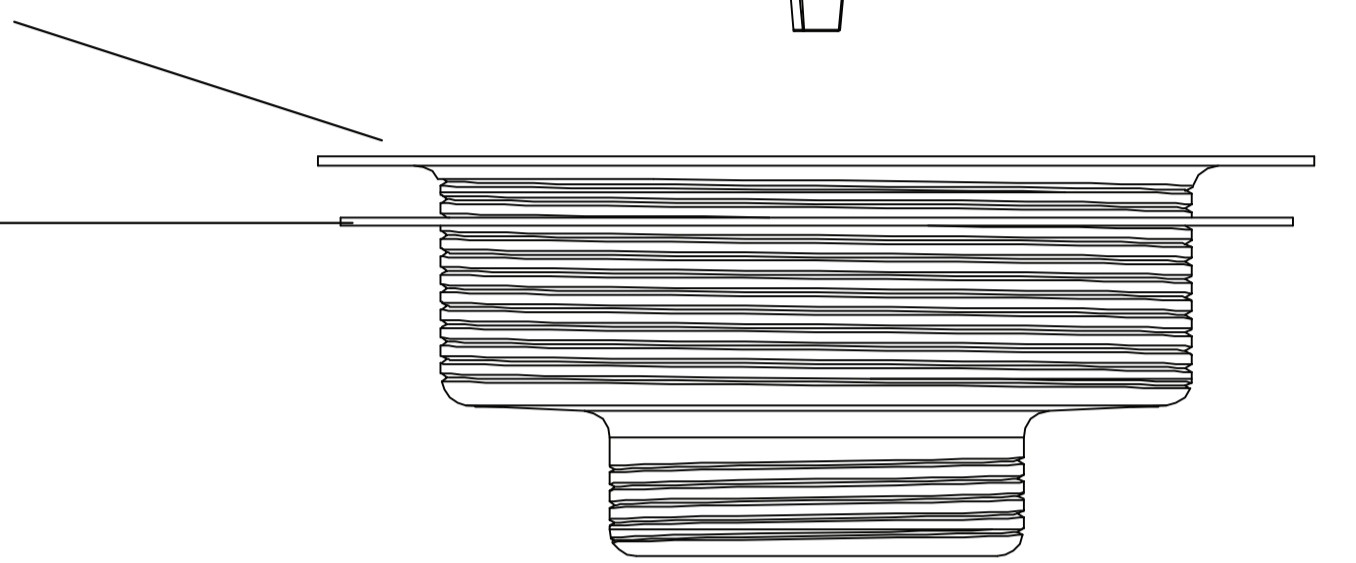
Accessories			
NO.	Pattern	Part Name	Quantity
①		Leg	4
②		Drain Basket	Same as tub quantities
②		M8*1*10 Screw	9
②		S4 Screw wrench	1



1. Strainer



2. Strainer body

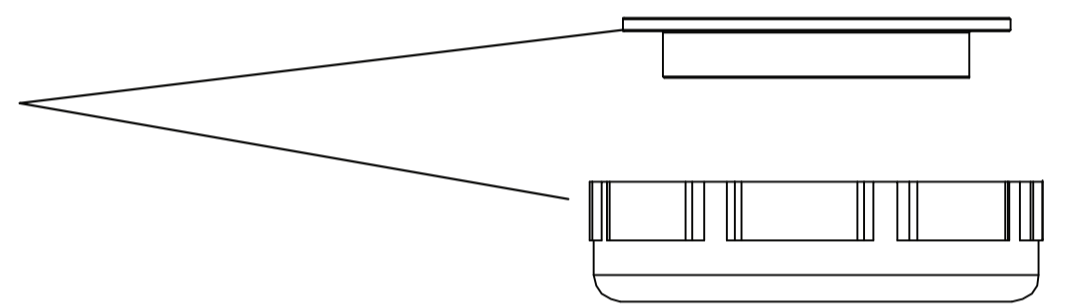


3. Rubber washer

4. Paper gasket

5. Lock nut

6. Pipe joint



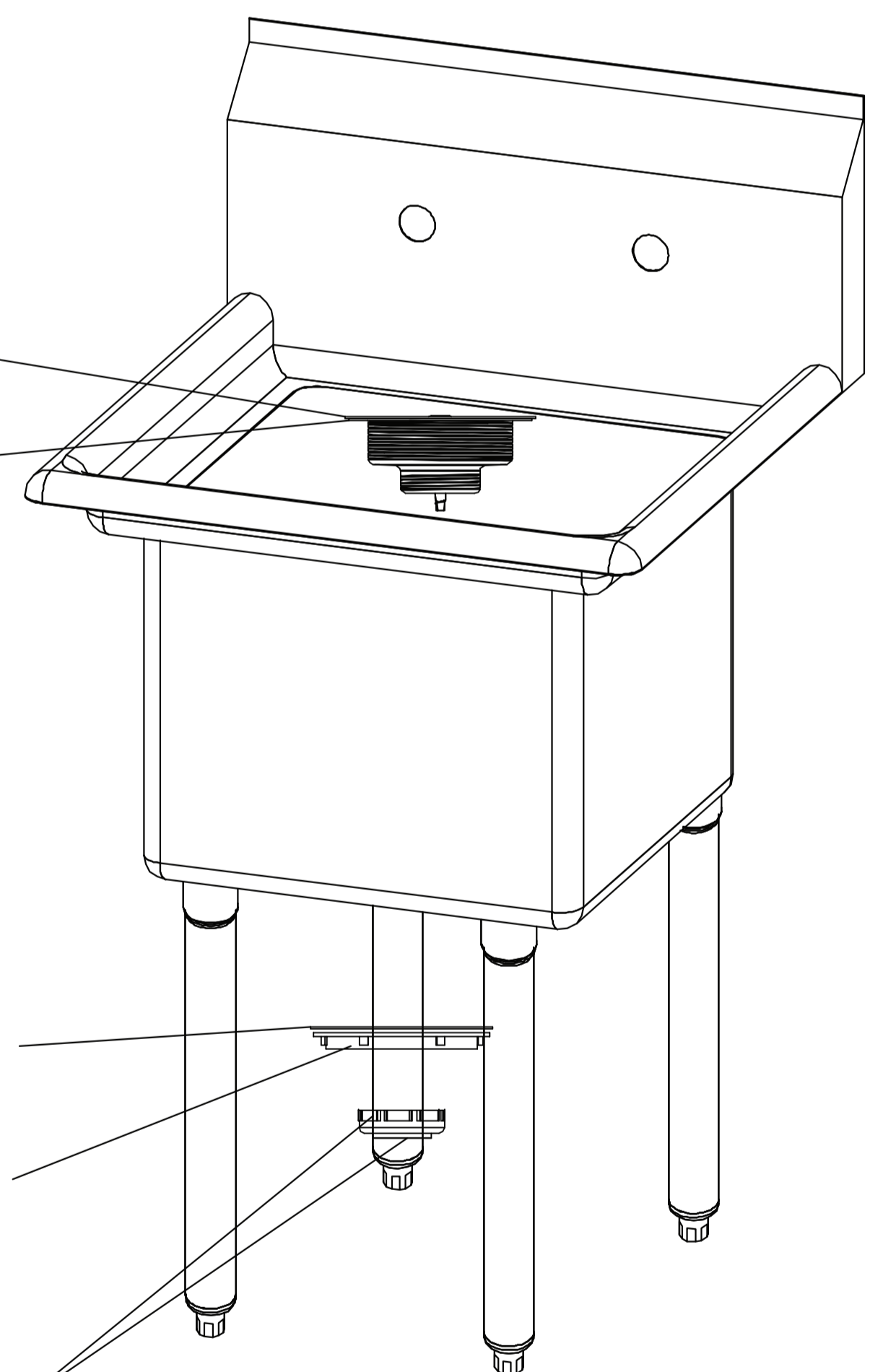
Strainer and Strainer body

Rubber washer

Paper gasket

Lock nut

Pipe joint



1. Turn the compartment sink upside down onto the floor, and place the carton top underneath for padding to avoid scratching.
2. Insert four legs into the leg sockets, and partially fasten the Allen screws.
3. Stand up the compartment sink.
4. Put the rubber washer under the strainer body, and insert them inside the sink drain hole.
5. Under the sink bowl, connect the paper gasket and lock nut to the strainer body in turn and tighten.
6. After purchasing the drain pipe, connect it with the strainer body under the sink bowl using a pipe joint.