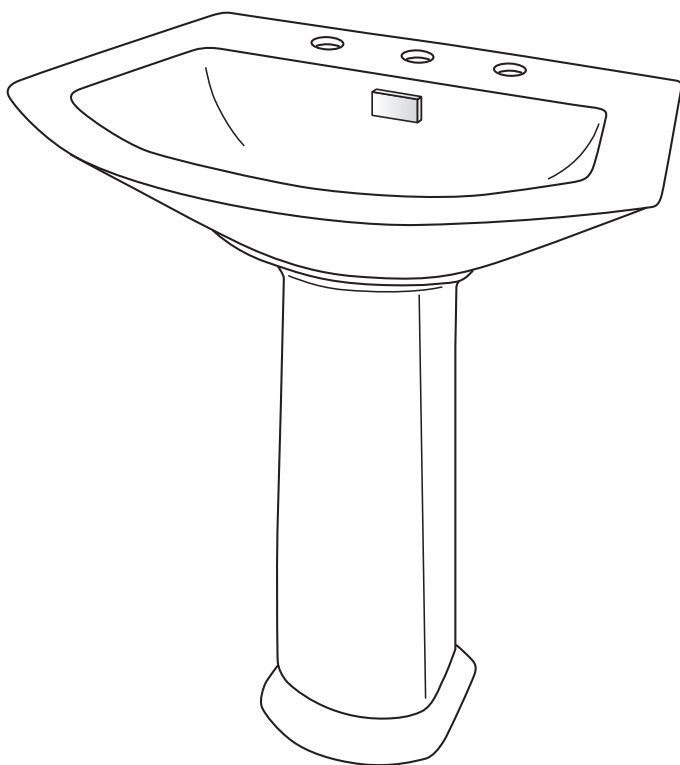


Pedestal Lavatory
Lavabo Bajo el Mostrador
Lavabo Sur Colonne



Warranty Registration and Inquiry

For product warranty registration, TOTO U.S.A. Inc. recommends online warranty registration. Please visit our web site <http://www.totousa.com>. If you have questions regarding warranty policy or coverage, please contact TOTO U.S.A. Inc., Customer Service Department, 1155 Southern Road, Morrow, GA 30260 (888) 295-8134 or (678) 466-1300 when calling from outside of U.S.A.

TABLE OF CONTENTS

| | |
|---|---|
| Thanks for Choosing TOTO®!..... | 3 |
| Warnings..... | 3 |
| Before Installation..... | 3 |
| Installation Procedure..... | 4 |
| CEFIONTECT® Cleaning Instructions | 5 |
| Warranty..... | 6 |

THANKS FOR CHOOSING TOTO!

The mission of TOTO is to provide the world with healthy, hygienic and more comfortable lifestyles. We design every product with the balance of form and function as a guiding principle. Congratulations on your choice.

WARNINGS



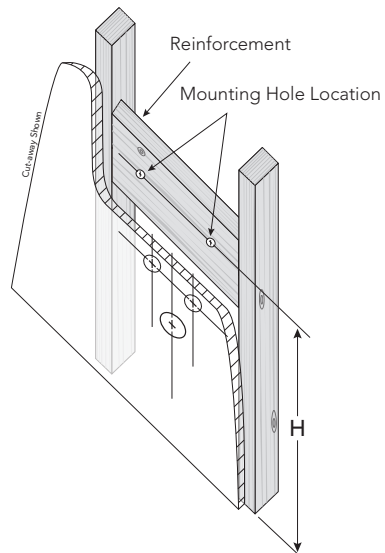
WARNING

When this symbol appears in the manual, it is alerting you of potential misoperations that may cause personal injury and/or property damage.

BEFORE INSTALLATION

If you are installing this product in a new construction or remodel, please make sure you are following all local plumbing and building codes. Carefully unpack and examine your new fixture for damage. To help ensure that the installation process will proceed smoothly and correctly, please read these instructions carefully before you begin.

- Provide proper reinforcement, such as a brace, between the studs of the wall to help support the lavatory.
- Install the brace at the proper height (H), which corresponds to the lavatory mounting hole locations.
- For best results, the floor must be level and the wall must be square with the floor.



INSTALLATION PROCEDURE

- 1) Place the lavatory and pedestal into the installed position. Make sure the product is level when placed against the wall. Carefully mark the mounting hole locations for the lavatory and pedestal (see Illustration 1).

NOTE: To help recall the lavatory and pedestal positions, trace a line along the sides and top edge of the lavatory and along the base of the pedestal (see Illustration 1).

Carefully remove the lavatory and then the pedestal.

- 2) Drill the pilot holes for the lavatory and pedestal screw locations (see Illustration 2).

Install the pedestal mounting hardware. Place a metal washer onto the bolt and insert the bolt through the mounting bracket and the pedestal brace. Install the other metal washer onto the bolt and then the nut. Tighten this connection securely.

Return the pedestal to the position marked on the floor. Install the pedestal bracket to the floor using the three supplied screws (see Illustration 3).



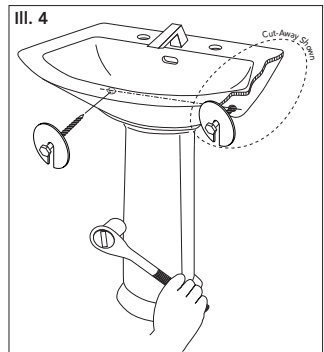
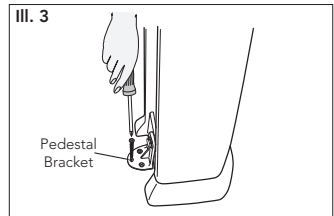
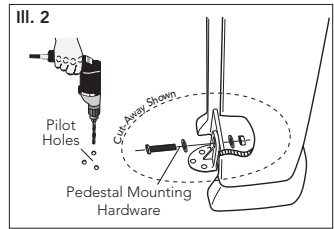
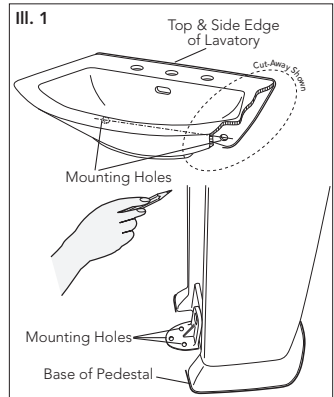
WARNING

DO NOT OVERTIGHTEN. Overtightening may damage the products and cause personal injury and/or property damage.

- 3) Install the faucet and drains (not supplied) per the manufacturer's installation instructions.

NOTE: For 8" widespread faucet fixtures, only install the spout assembly at this time. The hot & cold faucet valves can be installed at a later time.

Screw the bolts to the pre-drilled holes in the wall (see Illustration 4). Leave 1-1/4" of the bolts protruding from the wall. Place the lavatory into position on the pedestal with the mounting holes sitting on the protruding bolts, matching the marks on the wall. Place a slotted flat metal washer onto the bolts and tighten the bolts to secure the lavatory to the wall.



INSTALLATION PROCEDURE

⚠ WARNING DO NOT OVERTIGHTEN. Overtightening may damage the products and cause personal injury and/or property damage.

NOTE: You may install the 8" widespread hot and cold faucet valves at this time.

- 4) Connect the water supply to the faucet according to the faucet instructions. Connect and tighten the trap to the drain.

Turn on the water supplies to the faucet. Purge the air from the hot and cold water by running the water for a few seconds.

Fill the lavatory with water. Check the leaks at the water supply and drain connections.

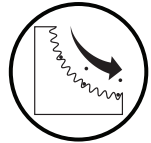
ENGLISH

CEFIONTECT® CLEANING INSTRUCTIONS



WHAT IS CEFIONTECT®?

CEFIONTECT® is TOTO's super-smooth permanent glaze that prevents debris from sticking to surfaces. Products with the letter "G" in the number have the CEFIONTECT® glaze. This glaze, along with regular cleaning, will help keep your TOTO product in pristine condition.



No CEFIONTECT®

NOTE:

For best results to keep your TOTO product with CEFIONTECT® clean:

- Lavatory: Use a mild dish detergent with a clean, soft cloth.
- Toilet: Use a gel based cleaner with a soft bristled-plastic brush.
- **Don't use** cleaners, polishing powders or detergents that have gritty or coarse particles.
- **Don't use** bleach, chemical thinners or products that have acid or alkaline detergents listed as ingredients.
- **Don't use** metal scrub brushes or steel wool.



With CEFIONTECT®



Following these instructions will ensure that your TOTO product with the CEFIONTECT® glaze will always stay intact, keeping your product like new for years to come!

WARRANTY

1. TOTO® warrants its vitreous china products ("Product") to be free from defects in materials and workmanship during normal use when properly installed and serviced, for a period of one (1) year from date of purchase. This limited warranty is extended only to the ORIGINAL PURCHASER of the Product and is not transferable to any third party, including but not limited to any subsequent purchaser or owner of the Product. This warranty applies only to TOTO Product purchased and installed in North, Central and South America.
2. TOTO's obligations under this warranty are limited to repair, replacement or other appropriate adjustment, at TOTO's option, of the Product or parts found to be defective in normal use, provided that such Product was properly installed, used and serviced in accordance with instructions. TOTO reserves the right to make such inspections as may be necessary in order to determine the cause of the defect. TOTO will not charge for labor or parts in connection with warranty repairs or replacements. TOTO is not responsible for the cost of removal, return and/or reinstallation of the Product.
3. This warranty does not apply to the following items:
 - a. Damage or loss sustained in a natural calamity such as fire, earthquake, flood, thunder, electrical storm, etc.
 - b. Damage or loss resulting from any accident, unreasonable use, misuse, abuse, negligence, or improper care, cleaning, or maintenance of the Product.
 - c. Damage or loss resulting from sediments or foreign matter contained in a water system.
 - d. Damage or loss resulting from improper installation or from installation of the Product in a harsh and/or hazardous environment, or improper removal, repair or modification of the Product. (NOTE: Product model codes allow a maximum of 80 PSI. Check local codes or standards for requirements).
 - e. Damage or loss resulting from electrical surges or lightning strikes or other acts which are not the fault of TOTO or which the Product is not specified to tolerate.
 - f. Damage or loss resulting from normal and customary wear and tear, such as gloss reduction, scratching or fading over time due to use, cleaning practices or water or atmospheric conditions.
 - g. Tank flushing mechanisms of plastic or rubber moving parts.
 - h. Toilet seats of plastic, wood or metal.
4. In order for this limited warranty to be valid, proof of purchase is required. TOTO encourages warranty registration upon purchase to create a record of Product ownership at <http://www.totousa.com>. Product registration is completely voluntary and failure to register will not diminish your limited warranty rights.
5. THIS WARRANTY GIVES YOU SPECIFIC LEGAL RIGHTS. YOU MAY HAVE OTHER RIGHTS WHICH VARY FROM STATE TO STATE, PROVINCE TO PROVINCE OR COUNTRY TO COUNTRY.
6. To obtain warranty repair service under this warranty, you must take the Product or deliver it prepaid to a TOTO service facility together with proof of purchase (original sales receipt) and a letter stating the problem, or contact a TOTO distributor or products service contractor, or write directly to TOTO U.S.A., INC., 1155 Southern Road, Morrow, GA 30260 (678) 466-1300 or (888) 295-8134, if outside the U.S.A. If, because of the size of the Product or nature of the defect, the Product cannot be returned to TOTO, receipt by TOTO of written notice of the defect together with proof of purchase (original sales receipt) shall constitute delivery. In such case, TOTO may choose to repair the Product at the purchaser's location or pay to transport the Product to a service facility.

THIS WRITTEN WARRANTY IS THE ONLY WARRANTY MADE BY TOTO. REPAIR, REPLACEMENT OR OTHER APPROPRIATE ADJUSTMENT AS PROVIDED UNDER THIS WARRANTY SHALL BE THE EXCLUSIVE REMEDY AVAILABLE TO THE ORIGINAL PURCHASER. TOTO SHALL NOT BE RESPONSIBLE FOR LOSS OF THE PRODUCT OR FOR OTHER INCIDENTAL, SPECIAL OR CONSEQUENTIAL DAMAGES OR EXPENSES INCURRED BY THE ORIGINAL PURCHASER, OR FOR LABOR OR OTHER COSTS DUE TO INSTALLATION OR REMOVAL, OR COSTS OF REPAIRS BY OTHERS, OR FOR ANY OTHER EXPENSE NOT SPECIFICALLY STATED ABOVE. IN NO EVENT WILL TOTO'S RESPONSIBILITY EXCEED THE PURCHASE PRICE OF THE PRODUCT. EXCEPT TO THE EXTENT PROHIBITED BY APPLICABLE LAW, ANY IMPLIED WARRANTIES, INCLUDING THAT OF MERCHANTABILITY OR FITNESS FOR USE OR FOR A PARTICULAR PURPOSE, ARE EXPRESSLY DISCLAIMED. SOME STATES DO NOT ALLOW LIMITATIONS ON HOW LONG AN IMPLIED WARRANTY LASTS, OR THE EXCLUSION OR LIMITATION OF INCIDENTAL OR CONSEQUENTIAL DAMAGES, SO THE ABOVE LIMITATION AND EXCLUSION MAY NOT APPLY TO YOU.

WARNING! TOTO shall not be responsible or liable for any failure of, or damage to, this Product caused by either chloramines in the treatment of public water supply or cleaners containing chlorine (calcium hypochlorite). NOTE: The use of a high concentrate chlorine or chlorine related products can seriously damage the fittings. This damage can cause leakage and serious property damage. For information, please call TOTO at: (888) 295-8134.