
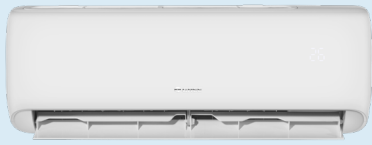




SUBMITTAL DATA

LIV12HP115V1R32AH / LIV12HP115V1R32AO
12000 BTU/H Wall Mounted Heat Pump System

Job Name	Location	Date
Purchaser	Engineer	
Submitted to	For	
Unit Designation	Schedule No.	

			
YBE1FB1F	LIV12HP115V1R32AH	LIV12HP115V1R32AO	XE71 (Optional)

GENERAL FEATURES

- AHRI Certificate: [214779351](#)
- New R32 Refrigerant
- High Efficiency DC Inverter Technology
- Compact and Quiet Design
- Wireless Remote with LCD Display
- Wired Controller Options
- Composite Drain Pan
- Wi-Fi Included
- Low Ambient Cooling down to 0°F (Range 0°F to 118°F)
- Low Ambient Heating down to -13°F (Range -13°F to 75°F)
- Coil (Indoor and Outdoor) Copper Tube / Aluminum Fin
- Blue Colored Fin - 500 Hrs Salt Spray Tested

SPECIFICATIONS, FEATURES & FUNCTION SUMMARY

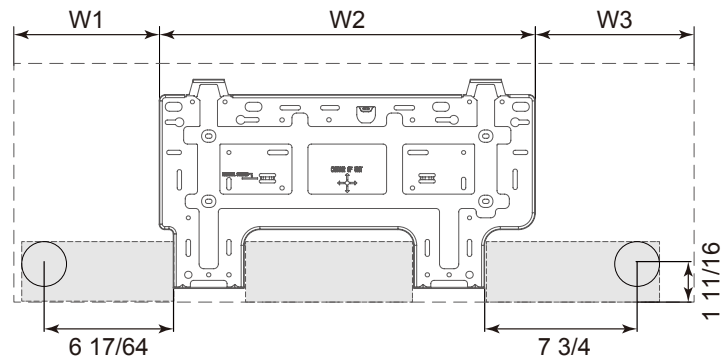
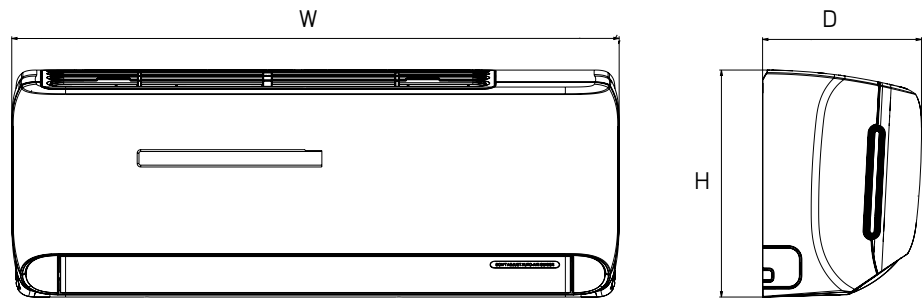
SYSTEM TYPE			HEAT PUMP		FEATURES & FUNCTIONS SUMMARY	
Outdoor Model			LIV12HP115V1R32AO		Inverter Type	
					G20	
Indoor Model			LIV12HP115V1R32AH		Ultra Low Frequency Torque Control	
					Yes	
SYSTEM PERFORMANCE						
Cooling Capacity	Min - Max	Btu/h	3,070 - 13,300		Power Factor Correction	
	Rated Capacity @95°F	Btu/h	12,000		Yes	
Heating Capacity	Min - Max	Btu/h	3,070 - 14,600		Basepan With Electric Heater	
	Rated Capacity @47°F	Btu/h	12,000		Yes	
	Rated Capacity @17°F	Btu/h	9,700		Compressor With Electric Heater	
	Rated Capacity @5°F	Btu/h	8,500		Yes	
SEER2			19.0		Outdoor Fin Coating (Color:Blue)	
					Acrylic-Resin/Anti-Corrosive	
EER2			9.3		Intelligent Defrosting	
					Yes	
HSPF2			8.5		Force Defrosting	
					Yes	
COP @5°F			1.75		Intelligent Preheating	
					Yes	
Cooling Temperature Range		°F	0 - 118		Low Voltage Startup	
					Yes	
Heating Temperature Range		°F	-13 - 75		Memory/Power Failure Recovery	
					Yes	
Refrigerant Type			R32		Self Diagnosis	
					Yes	
INDOOR UNIT			LIV12HP115V1R32AH		Wired Controller Interface	
					Yes	
Air flow (Min - Max)		CFM	182 - 424		WiFi Included	
					Yes	
Sound Pressure Level (Min - Max)		dB(A)	27 - 47		Indoor Fan Type	
					Crossflow	
Dehumidification		pt/hr	2.96		Multi Fan Speeds	
					6 Speeds	
External Dimensions (W x H x D)		in	32-7/8 x 10-53/64 x 7-7/8		Indoor Unit Display	
					Yes	
Package Dimension (W x H x D)		in	35-15/64 x 13-37/64 x 10-43/64		Auxiliary Electrical Heater	
					No	
Net Weight		lbs	19.8		Ventilation (Outdoor Air)	
					No	
Gross Weight		lbs	24.3		A2L Leak Detection Sensor (Indoor)	
					Factory Installed	
OUTDOOR UNIT			LIV12HP115V1R32AO		REMOTE CONTROLLER FUNCTIONS	
					Auto Mode	
Compressor Type		GREE G20 / SINGLE CYLINDER / 1 - STAGE INVERTER				Yes
Sound Pressure Level		dB(A)	52		Auto Fan	
					Yes	
External Dimensions (W x H x D)		in	28-13/16 x 21-7/8 x 12-63/64		Auto Swing (Horizontal Auto Swing)	
					Yes	
Package Dimension (W x H x D)		in	31-17/64 x 24-7/32 x 14-51/64		Auto Swing (Vertical Auto Swing)	
					Yes	
Net Weight		lbs	58.4		Clock on Remote Controller	
					Yes	
Gross Weight		lbs	63.9		Dry Mode	
					Yes	
REFRIGERANT PIPING						
Refrigerant Charge - R32		oz	17.6		Dry Anti-Mildew (X-Fan) Mode	
					Yes	
Additional Charge		oz/ft	0.2		Energy Saving Mode	
					Yes	
Line Set Size (Liquid - Gas) - Flared Connections		in	1/4 - 3/8		Dirty Filter Alert	
					No	
Pre-Charge Length		ft	25		I Feel Function	
					Yes	
Pipe Length (Min - Max)		ft	10 - 66		Lock on Remote Controller	
					Yes	
Max. Pipe Elevation		ft	40		Quiet Mode	
					Yes	
ELECTRICAL						
Power Supply			115V / 1Ph / 60Hz (Powered by the Outdoor Unit)		Room Temperature Display	
					Yes	
Voltage Range (Min - Max)		VAC	103 - 126		Sleep Mode	
					Yes	
Rated Current - Cooling		A	14.34		Timer Mode	
					Yes	
Rated Current - Heating		A	14.64		Turbo Mode	
					Yes	
MOCP		A	20		Display On/Off Control	
					Yes	
MCA		A	19		Freeze Guard Mode (46°F)	
					Yes	
Main Power Wire Size		AWG	Per Local Code		Display On/Off Control	
					Yes	
Interconnecting Wire Size		AWG	14 / 4			

DIMENSIONS

INDOOR UNIT

Unit: inch

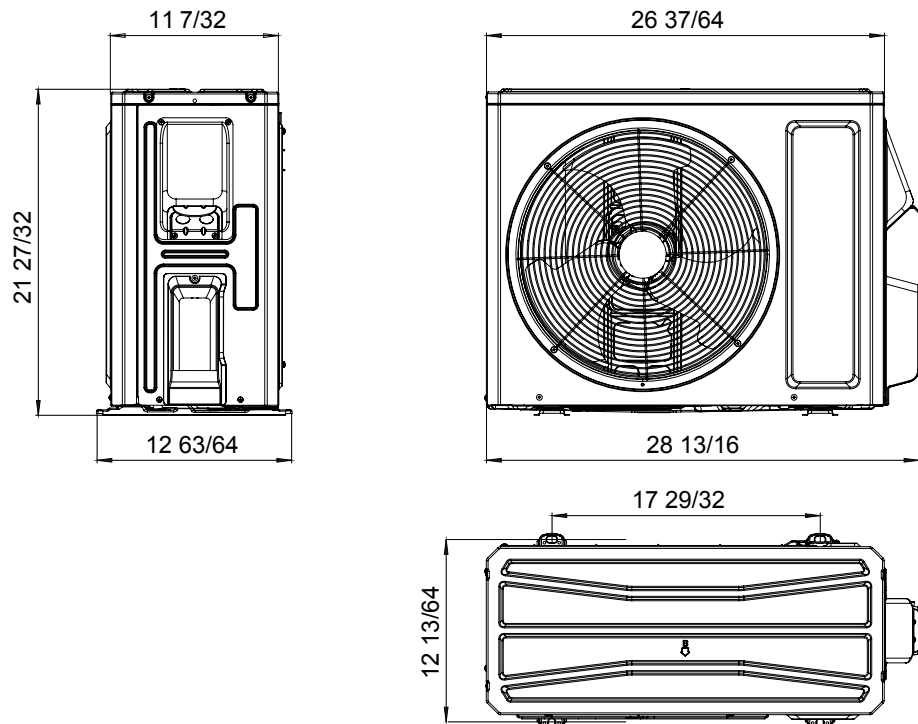
LIV12HP115V1R32AH	
DIMENSIONS	
W	32 7/8
H	10 53/64
D	7 7/8
W1	7 1/64
W2	18 3/16
W3	7 43/64



OUTDOOR UNIT

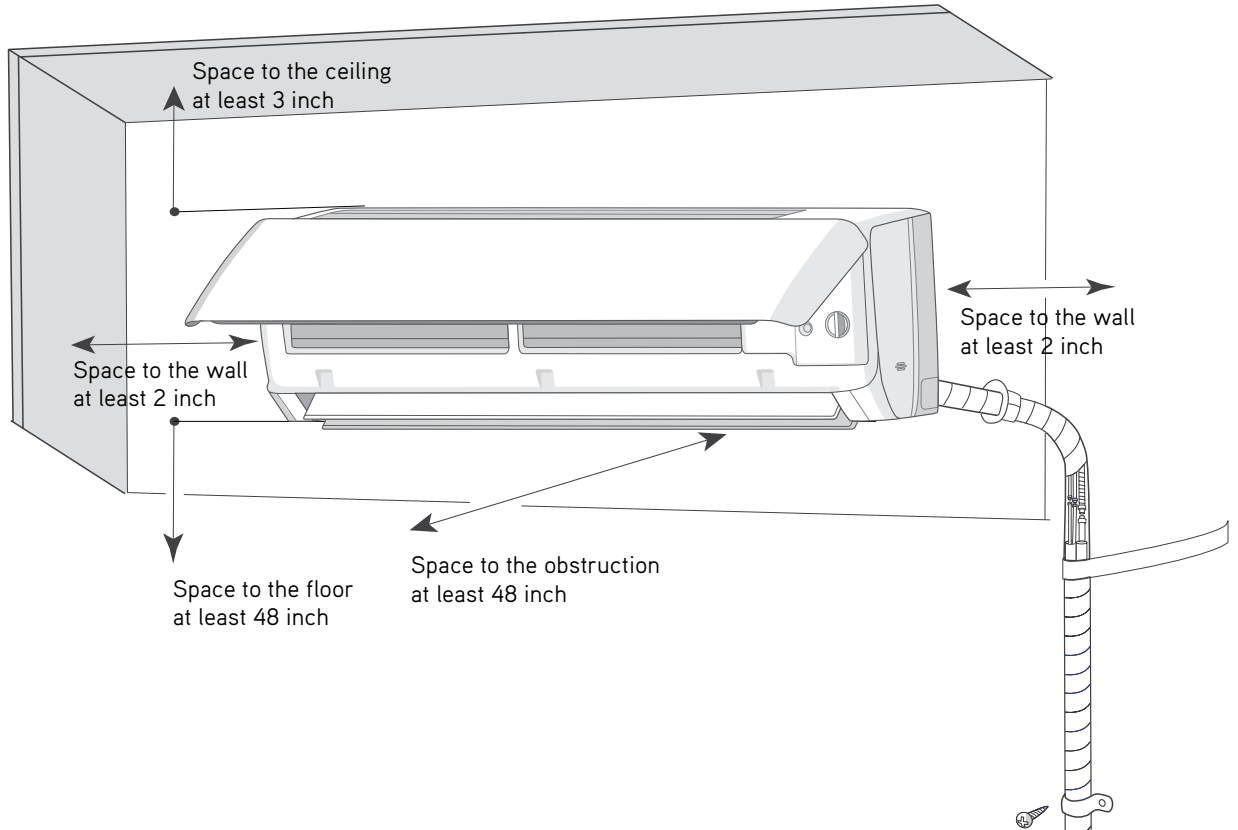
Unit: inch

LIV12HP115V1R32AO



CLEARANCES

INDOOR UNIT Minimum clearance



OUTDOOR UNIT Minimum clearance

NOTE:
If bottom of the unit is free of airflow obstructions similar to the mounting bracket figure, the clearance to the wall on the back can be reduced to 3 inches.



Specifications are subject to change without notice. Manufacturer reserves the right to discontinue or modify specifications or designs without notice or without incurring obligations. All Rights reserved.