





SUBMITTAL DATA

LIV12HP230V1R32AH / LIV12HP230V1R32AO
12000 BTU/H Wall Mounted Heat Pump System

Job Name	Location	Date
Purchaser	Engineer	
Submitted to	For	
Unit Designation	Schedule No.	

			
YBE1FB1F	LIV12HP230V1R32AH	LIV12HP230V1R32AO	XE71 (Optional)

GENERAL FEATURES

- AHRI Certificate: [214779350](#)
- New R32 Refrigerant
- High Efficiency DC Inverter Technology
- Compact and Quiet Design
- Wireless Remote with LCD Display
- Wired Controller Options
- Composite Drain Pan
- Wi-Fi Included
- Low Ambient Cooling down to 0°F (Range 0°F to 118°F)
- Low Ambient Heating down to -13°F (Range -13°F to 75°F)
- Coil (Indoor and Outdoor) Copper Tube / Aluminum Fin
- Blue Colored Fin - 500 Hrs Salt Spray Tested

SPECIFICATIONS, FEATURES & FUNCTION SUMMARY

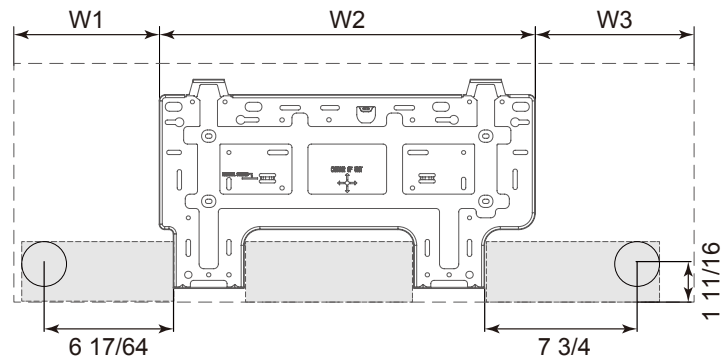
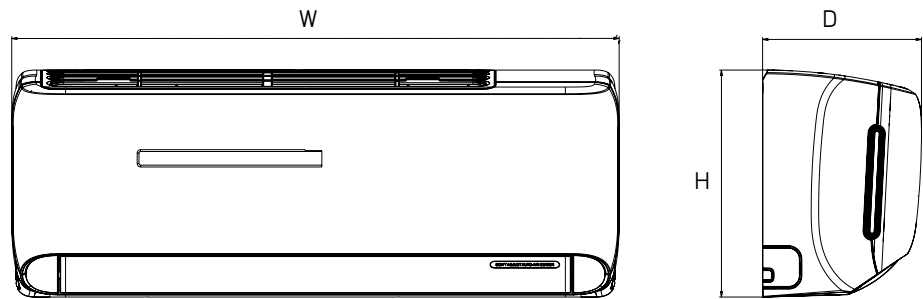
SYSTEM TYPE			HEAT PUMP		FEATURES & FUNCTIONS SUMMARY	
Outdoor Model			LIV12HP230V1R32AO		Inverter Type	
Indoor Model			LIV12HP230V1R32AH		G20	
SYSTEM PERFORMANCE						
Cooling Capacity	Min - Max	Btu/h	3,070 - 13,300		Ultra Low Frequency Torque Control	
	Rated Capacity @95°F	Btu/h	12,000		Yes	
Heating Capacity	Min - Max	Btu/h	3,070 - 14,600		Power Factor Correction	
	Rated Capacity @47°F	Btu/h	12,000		Yes	
	Rated Capacity @17°F	Btu/h	9,700		Basepan With Electric Heater	
	Rated Capacity @5°F	Btu/h	9,100		Yes	
SEER2			19.0		Compressor With Electric Heater	
EER2			9.75		Yes	
HSPF2			8.5		Outdoor Fin Coating (Color:Blue)	
COP @5°F			1.75		Acrylic-Resin/Anti-Corrosive	
Cooling Temperature Range		°F	0 - 118		Intelligent Defrosting	
Heating Temperature Range		°F	-13 - 75		Yes	
Refrigerant Type			R32		Force Defrosting	
Refrigerant Type			R32		Yes	
INDOOR UNIT			LIV12HP230V1R32AH		Intelligent Preheating	
Air flow (Min - Max)		CFM	182 - 424		Yes	
Sound Pressure Level (Min - Max)		dB(A)	27 - 47		Low Voltage Startup	
Dehumidification		pt/hr	2.96		Yes	
External Dimensions (W x H x D)		in	32-7/8 x 10-53/64 x 7-7/8		Memory/Power Failure Recovery	
Package Dimension (W x H x D)		in	35-15/64 x 13-37/64 x 10-43/64		Yes	
Net Weight		lbs	19.8		Self Diagnosis	
Gross Weight		lbs	24.3		Yes	
OUTDOOR UNIT			LIV12HP230V1R32AO		Wired Controller Interface	
Compressor Type		GREE G20 / SINGLE CYLINDER / 1 - STAGE INVERTER		Yes		
Sound Pressure Level		dB(A)	52		WiFi Included	
External Dimensions (W x H x D)		in	28-13/16 x 21-7/8 x 12-63/64		Yes	
Package Dimension (W x H x D)		in	31-17/64 x 24-7/32 x 14-51/64		Indoor Fan Type	
Net Weight		lbs	56.2		Crossflow	
Gross Weight		lbs	61.7		Multi Fan Speeds	
REFRIGERANT PIPING			LIV12HP230V1R32AO		6 Speeds	
Refrigerant Charge - R32		oz	17.6		Indoor Unit Display	
Additional Charge		oz/ft	0.2		Yes	
Line Set Size (Liquid - Gas) - Flared Connections		in	1/4 - 3/8		Auxiliary Electrical Heater	
Pre-Charge Length		ft	25		No	
Pipe Length (Min - Max)		ft	10 - 66		Ventilation (Outdoor Air)	
Max. Pipe Elevation		ft	40		No	
ELECTRICAL			LIV12HP230V1R32AO		A2L Leak Detection Sensor (Indoor)	
Power Supply		208-230V / 1Ph / 60Hz (Powered by the Outdoor Unit)		Factory Installed		
Voltage Range (Min - Max)		VAC	187 - 253		REMOTE CONTROLLER FUNCTIONS	
Rated Current - Cooling		A	7.02		Auto Mode	
Rated Current - Heating		A	7.47		Yes	
MOCP		A	15		Auto Fan	
MCA		A	12		Yes	
Main Power Wire Size		AWG	Per Local Code		Auto Swing (Horizontal Auto Swing)	
Interconnecting Wire Size		AWG	14 / 4		Yes	
					Auto Swing (Vertical Auto Swing)	
					Yes	
					Clock on Remote Controller	
					Yes	
					Dry Mode	
					Yes	
					Dry Anti-Mildew (X-Fan) Mode	
					Yes	
					Energy Saving Mode	
					Yes	
					Dirty Filter Alert	
					No	
					I Feel Function	
					Yes	
					Lock on Remote Controller	
					Yes	
					Quiet Mode	
					Yes	
					Room Temperature Display	
					Yes	
					Sleep Mode	
					Yes	
					Timer Mode	
					Yes	
					Turbo Mode	
					Yes	
					Display On/Off Control	
					Yes	
					Freeze Guard Mode (46°F)	
					Yes	
					Display On/Off Control	
					Yes	

DIMENSIONS

INDOOR UNIT

Unit: inch

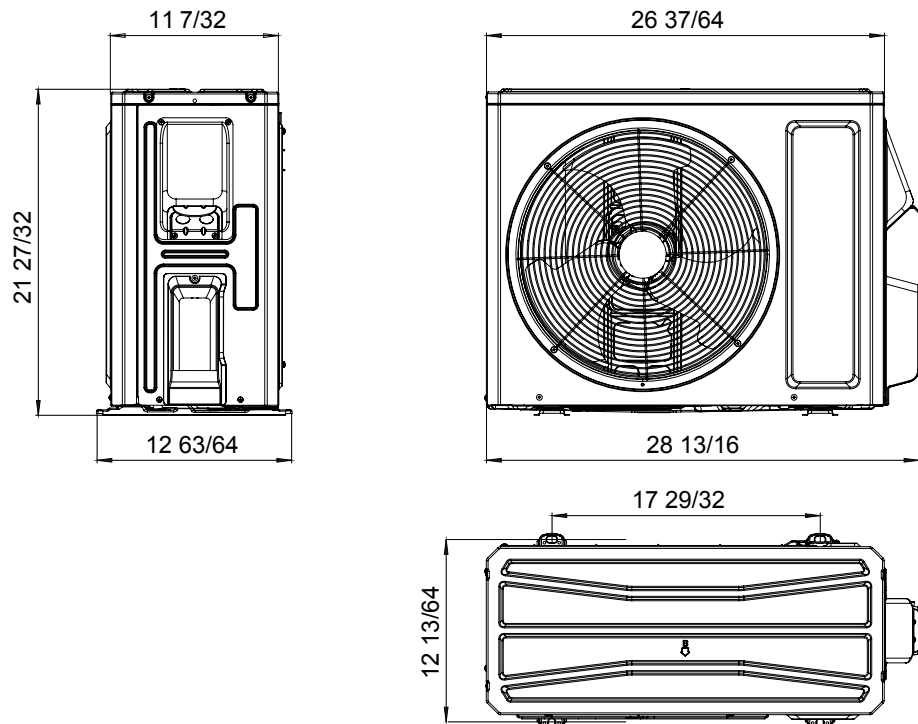
LIV12HP230V1R32AH	
DIMENSIONS	
W	32 7/8
H	10 53/64
D	7 7/8
W1	7 1/64
W2	18 3/16
W3	7 43/64



OUTDOOR UNIT

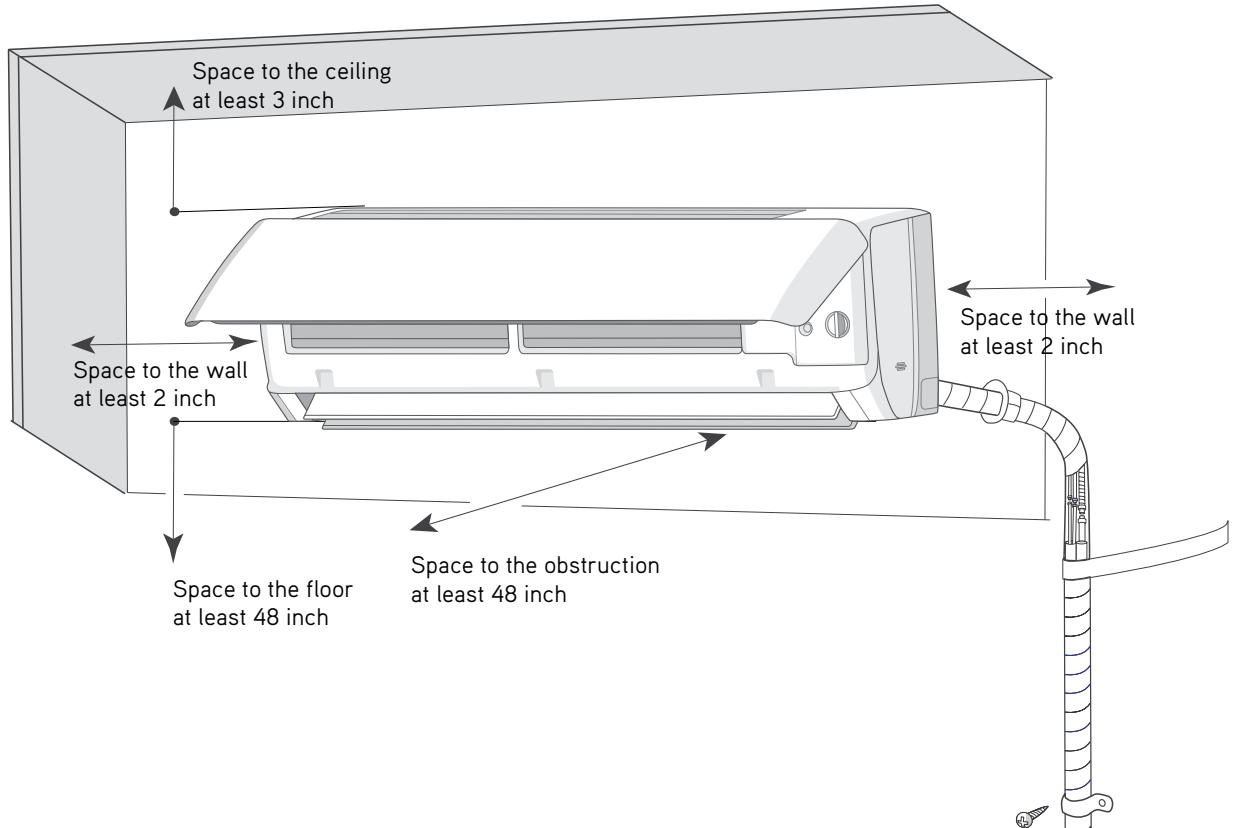
Unit: inch

LIV12HP230V1R32AO

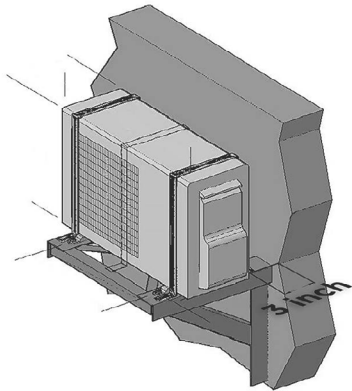


CLEARANCES

INDOOR UNIT Minimum clearance



OUTDOOR UNIT Minimum clearance



NOTE:
If bottom of the unit is free of airflow obstructions similar to the mounting bracket figure, the clearance to the wall on the back can be reduced to 3 inches.



Specifications are subject to change without notice. Manufacturer reserves the right to discontinue or modify specifications or designs without notice or without incurring obligations. All Rights reserved.