
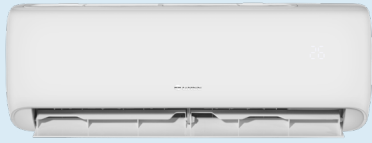




## SUBMITTAL DATA

LIV18HP230V1R32AH / LIV18HP230V1R32AO  
18000 BTU/H Wall Mounted Heat Pump System

Job Name	Location	Date
Purchaser	Engineer	
Submitted to	For	
Unit Designation	Schedule No.	

			
YBE1FB1F	LIV18HP230V1R32AH	LIV18HP230V1R32AO	XE71 (Optional)

### GENERAL FEATURES

- AHRI Certificate: [214780395](#)
- New R32 Refrigerant
- High Efficiency DC Inverter Technology
- Compact and Quiet Design
- Wireless Remote with LCD Display
- Wired Controller Options
- Composite Drain Pan
- Wi-Fi Included
- Low Ambient Cooling down to 0°F (Range 0°F to 118°F)
- Low Ambient Heating down to -13°F (Range -13°F to 75°F)
- Coil (Indoor and Outdoor) Copper Tube / Aluminum Fin
- Blue Colored Fin - 500 Hrs Salt Spray Tested

## SPECIFICATIONS, FEATURES & FUNCTION SUMMARY

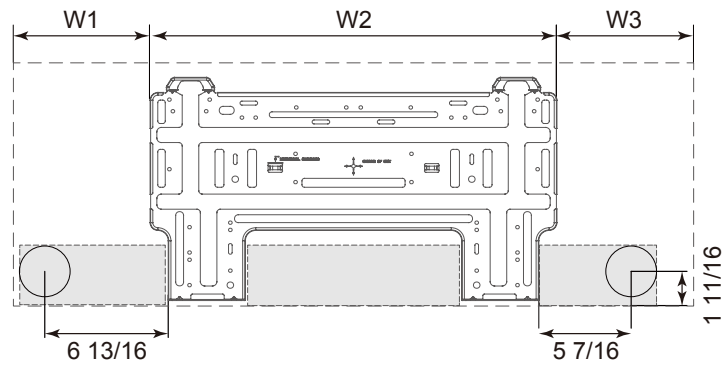
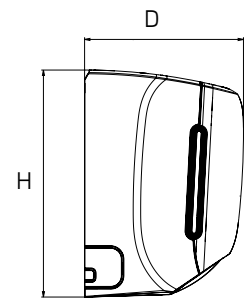
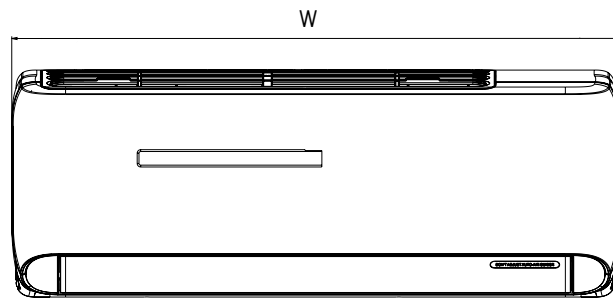
SYSTEM TYPE			HEAT PUMP			FEATURES & FUNCTIONS SUMMARY	
Outdoor Model			LIV18HP230V1R32AO			Inverter Type	
Indoor Model			LIV18HP230V1R32AH			G20	
SYSTEM PERFORMANCE							
Cooling Capacity	Min - Max	Btu/h	3,753 - 20,300			Ultra Low Frequency Torque Control	
	Rated Capacity @95°F	Btu/h	18,000			Yes	
Heating Capacity	Min - Max	Btu/h	2,730 - 22,500			Power Factor Correction	
	Rated Capacity @47°F	Btu/h	19,100			Yes	
	Rated Capacity @17°F	Btu/h	15,300			Basepan With Electric Heater	
	Rated Capacity @5°F	Btu/h	12,100			Yes	
SEER2			20.0			Compressor With Electric Heater	
EER2			12.35			Yes	
HSPF2			8.5			Outdoor Fin Coating (Color:Blue)	
COP @5°F			1.75			Acrylic-Resin/Anti-Corrosive	
Cooling Temperature Range		°F	0 - 118			Intelligent Defrosting	
Heating Temperature Range		°F	-13 - 75			Yes	
Refrigerant Type			R32			Force Defrosting	
INDOOR UNIT			LIV18HP230V1R32AH			Intelligent Preheating	
Air flow (Min - Max)		CFM	282 - 618			Yes	
Sound Pressure Level (Min - Max)		dB(A)	34 - 53			Low Voltage Startup	
Dehumidification		pt/hr	3.80			Yes	
External Dimensions (W x H x D)		in	37-1/8 x 13-7/64 x 9-11/16			Memory/Power Failure Recovery	
Package Dimension (W x H x D)		in	39-13/32 x 15-15/16 x 12-43/64			Yes	
Net Weight		lbs	28.7			Self Diagnosis	
Gross Weight		lbs	34.2			Yes	
OUTDOOR UNIT			LIV18HP230V1R32AO			Wired Controller Interface	
Compressor Type		GREE G20 / SINGLE CYLINDER / 1 - STAGE INVERTER			Yes		
Sound Pressure Level		dB(A)	57			WiFi Included	
External Dimensions (W x H x D)		in	31-37/64 x 21-27/32 x 13-25/32			Yes	
Package Dimension (W x H x D)		in	34-21/64 x 24-13/32 x 15-43/64			Indoor Fan Type	
Net Weight		lbs	70.6			Crossflow	
Gross Weight		lbs	76.1			Multi Fan Speeds	
REFRIGERANT PIPING						6 Speeds	
Refrigerant Charge - R32		oz	32.5			Indoor Unit Display	
Additional Charge		oz/ft	0.2			Yes	
Line Set Size (Liquid - Gas) - Flared Connections		in	1/4 - 1/2			Auxiliary Electrical Heater	
Pre-Charge Length		ft	25			No	
Pipe Length (Min - Max)		ft	10 - 82			Ventilation (Outdoor Air)	
Max. Pipe Elevation		ft	33			No	
ELECTRICAL						A2L Leak Detection Sensor (Indoor)	
Power Supply		208-230V / 1Ph / 60Hz (Powered by the Outdoor Unit)			Factory Installed		
Voltage Range (Min - Max)		VAC	187 - 253			REMOTE CONTROLLER FUNCTIONS	
Rated Current - Cooling		A	9.5			Auto Mode	
Rated Current - Heating		A	9.5			Yes	
MOCP		A	15			Auto Fan	
MCA		A	13			Yes	
Main Power Wire Size		AWG	Per Local Code			Auto Swing (Horizontal Auto Swing)	
Interconnecting Wire Size		AWG	14 / 4			Yes	
						Auto Swing (Vertical Auto Swing)	
						Yes	
						Clock on Remote Controller	
						Yes	
						Dry Mode	
						Yes	
						Dry Anti-Mildew (X-Fan) Mode	
						Yes	
						Energy Saving Mode	
						Yes	
						Dirty Filter Alert	
						No	
						I Feel Function	
						Yes	
						Lock on Remote Controller	
						Yes	
						Quiet Mode	
						Yes	
						Room Temperature Display	
						Yes	
						Sleep Mode	
						Yes	
						Timer Mode	
						Yes	
						Turbo Mode	
						Yes	
						Display On/Off Control	
						Yes	
						Freeze Guard Mode (46°F)	
						Yes	
						Display On/Off Control	
						Yes	

## DIMENSIONS

### INDOOR UNIT

Unit: inch

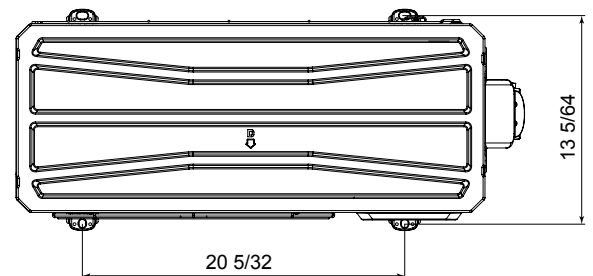
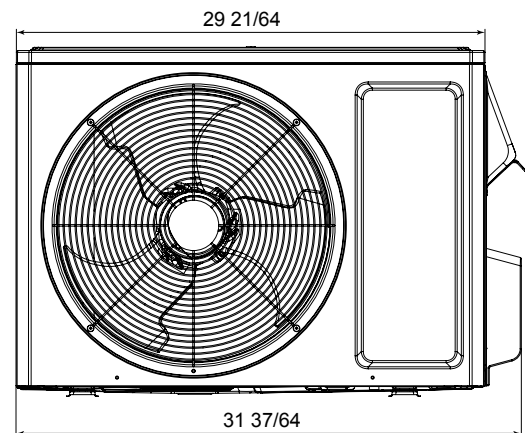
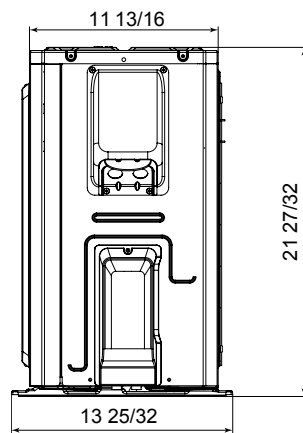
LIV18HP230V1R32AH	
DIMENSIONS	
W	37 1/8
H	13 7/64
D	9 11/16
W1	7 35/64
W2	22 7/64
W3	7 31/64



### OUTDOOR UNIT

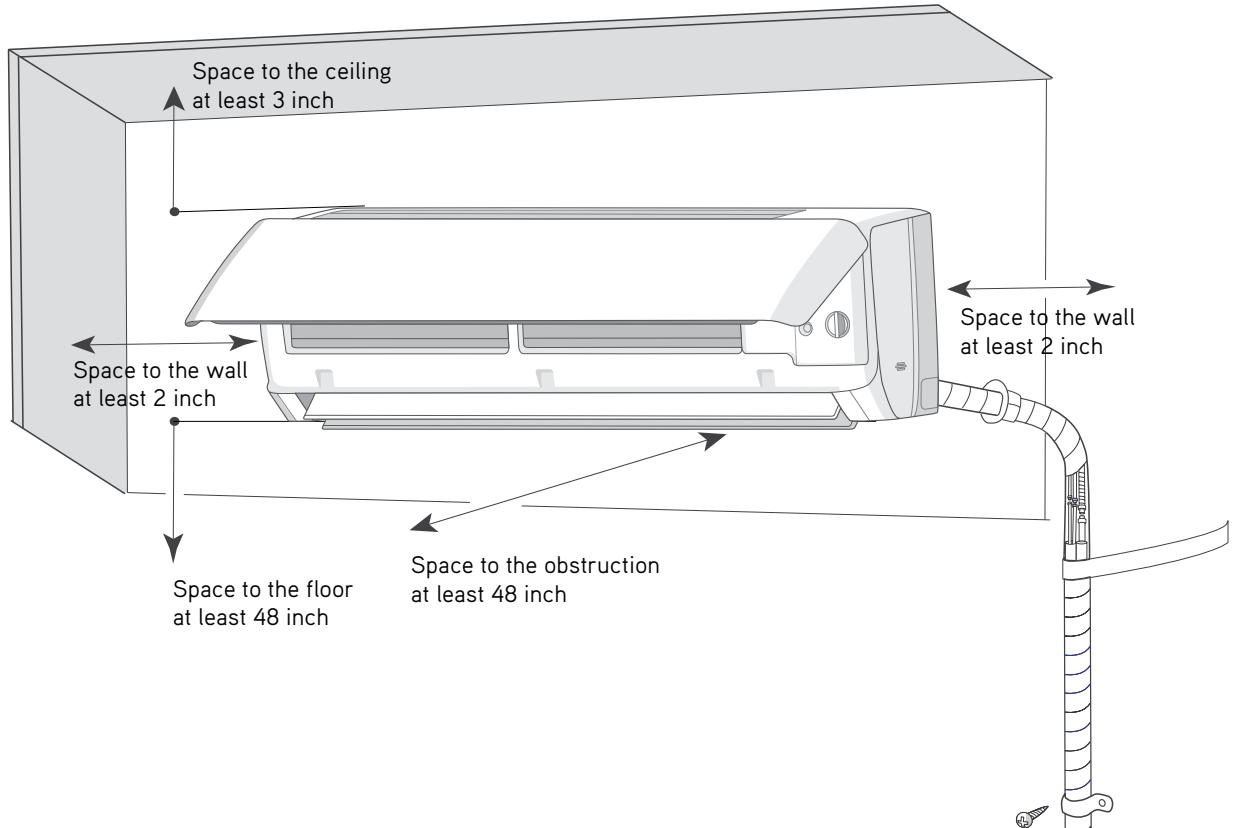
Unit: inch

LIV18HP230V1R32AO
-------------------



# CLEARANCES

## INDOOR UNIT Minimum clearance



## OUTDOOR UNIT Minimum clearance

3 inch

**NOTE:**  
If bottom of the unit is free of airflow obstructions similar to the mounting bracket figure, the clearance to the wall on the back can be reduced to 3 inches.

This diagram shows a mounting bracket for an outdoor unit. A dimension line indicates a 3-inch clearance from the back of the unit to the wall when the unit is mounted on this bracket.



Specifications are subject to change without notice. Manufacturer reserves the right to discontinue or modify specifications or designs without notice or without incurring obligations. All Rights reserved.