
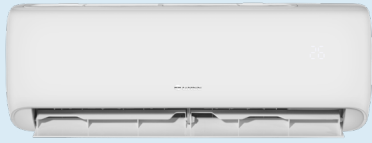




SUBMITTAL DATA

LIV36HP230V1R32AH / LIV36HP230V1R32AO
36000 BTU/H Wall Mounted Heat Pump System

Job Name	Location	Date
Purchaser	Engineer	
Submitted to	For	
Unit Designation	Schedule No.	

			
YBE1FB1F	LIV36HP230V1R32AH	LIV36HP230V1R32AO	XE71 (Optional)

GENERAL FEATURES

- AHRI Certificate: [214779348](#)
- New R32 Refrigerant
- High Efficiency DC Inverter Technology
- Compact and Quiet Design
- Wireless Remote with LCD Display
- Wired Controller Options
- Composite Drain Pan
- Wi-Fi Included
- Low Ambient Cooling down to 0°F (Range 0°F to 118°F)
- Low Ambient Heating down to -13°F (Range -13°F to 75°F)
- Coil (Indoor and Outdoor) Copper Tube / Aluminum Fin
- Blue Colored Fin - 500 Hrs Salt Spray Tested

SPECIFICATIONS, FEATURES & FUNCTION SUMMARY

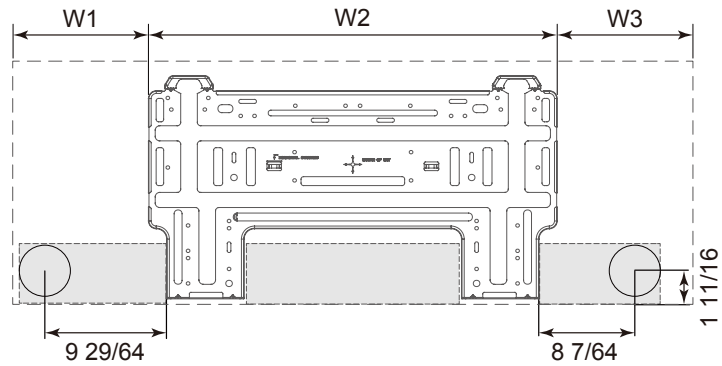
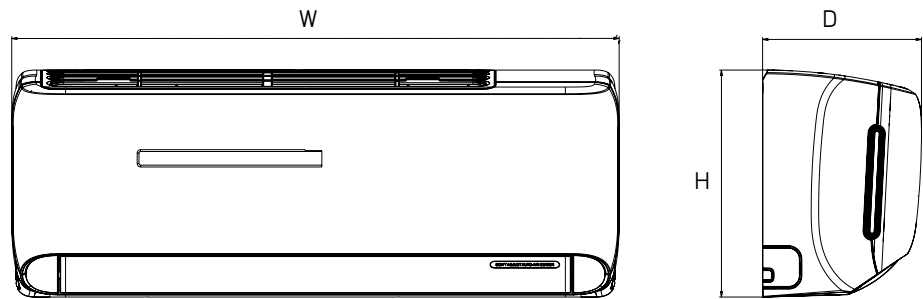
SYSTEM TYPE			HEAT PUMP		FEATURES & FUNCTIONS SUMMARY			
Outdoor Model			LIV36HP230V1R32AO		Inverter Type			
Indoor Model			LIV36HP230V1R32AH		G20			
SYSTEM PERFORMANCE								
Cooling Capacity	Min - Max	Btu/h	7,850 - 37,500					
	Rated Capacity @95°F	Btu/h	33,600					
Heating Capacity	Min - Max	Btu/h	10,000 - 37,500					
	Rated Capacity @47°F	Btu/h	34,000					
	Rated Capacity @17°F	Btu/h	27,400					
	Rated Capacity @5°F	Btu/h	24,600					
SEER2			21.0		Outdoor Fin Coating (Color:Blue)			
EER2			10.6		Acrylic-Resin/Anti-Corrosive			
HSPF2			8.5		Intelligent Defrosting			
COP @5°F			1.8		Force Defrosting			
Cooling Temperature Range		°F	-4 - 122				Intelligent Preheating	
Heating Temperature Range		°F	-13 - 75				Low Voltage Startup	
Refrigerant Type			R32		Memory/Power Failure Recovery			
INDOOR UNIT			LIV36HP230V1R32AH		Self Diagnosis			
Air flow (Min - Max)		CFM	441 - 794				Wired Controller Interface	
Sound Pressure Level (Min - Max)		dB(A)	36 - 52				WiFi Included	
Dehumidification		pt/hr	7.40				Indoor Fan Type	
External Dimensions (W x H x D)		in	42-7/16 x 13-7/64 x 9-11/16				Crossflow	
Package Dimension (W x H x D)		in	44-39/64 x 16-19/64 x 13-7/64				Multi Fan Speeds	
Net Weight		lbs	34.2				6 Speeds	
Gross Weight		lbs	40.8				Indoor Unit Display	
OUTDOOR UNIT			LIV36HP230V1R32AO		Auxiliary Electrical Heater			
Compressor Type		GREE G20 / SINGLE CYLINDER / 1 - STAGE INVERTER					No	
Sound Pressure Level		dB(A)	62				Ventilation (Outdoor Air)	
External Dimensions (W x H x D)		in	39-3/8 x 29-3/8 x 15-13/16				No	
Package Dimension (W x H x D)		in	42-33/64 x 31-57/64 x 19-1/64				A2L Leak Detection Sensor (Indoor)	
Net Weight		lbs	122.4				Factory Installed	
Gross Weight		lbs	133.4				REMOTE CONTROLLER FUNCTIONS	
REFRIGERANT PIPING								
Refrigerant Charge - R32		oz	56.4				Auto Mode	
Additional Charge		oz/ft	0.4				Auto Fan	
Line Set Size (Liquid - Gas) - Flared Connections		in	1/4 - 5/8				Manual Horizontal Swing	
Pre-Charge Length		ft	25				Auto Swing (Vertical Auto Swing)	
Pipe Length (Min - Max)		ft	10 - 131				Clock on Remote Controller	
Max. Pipe Elevation		ft	82				Dry Mode	
ELECTRICAL								
Power Supply		208-230V / 1Ph / 60Hz (Powered by the Outdoor Unit)					Dry Anti-Mildew (X-Fan) Mode	
Voltage Range (Min - Max)		VAC	187 - 253				Energy Saving Mode	
Rated Current - Cooling		A	20				Dirty Filter Alert	
Rated Current - Heating		A	20				No	
MOCP		A	35				I Feel Function	
MCA		A	24				Yes	
Main Power Wire Size		AWG	Per Local Code				Lock on Remote Controller	
Interconnecting Wire Size		AWG	14 / 4				Yes	
							Quiet Mode	
							Yes	
							Room Temperature Display	
							Yes	
							Sleep Mode	
							Yes	
							Timer Mode	
							Yes	
							Turbo Mode	
							Yes	
							Display On/Off Control	
							Yes	
							Freeze Guard Mode (46°F)	
							Yes	
							Display On/Off Control	
							Yes	

DIMENSIONS

INDOOR UNIT

Unit: inch

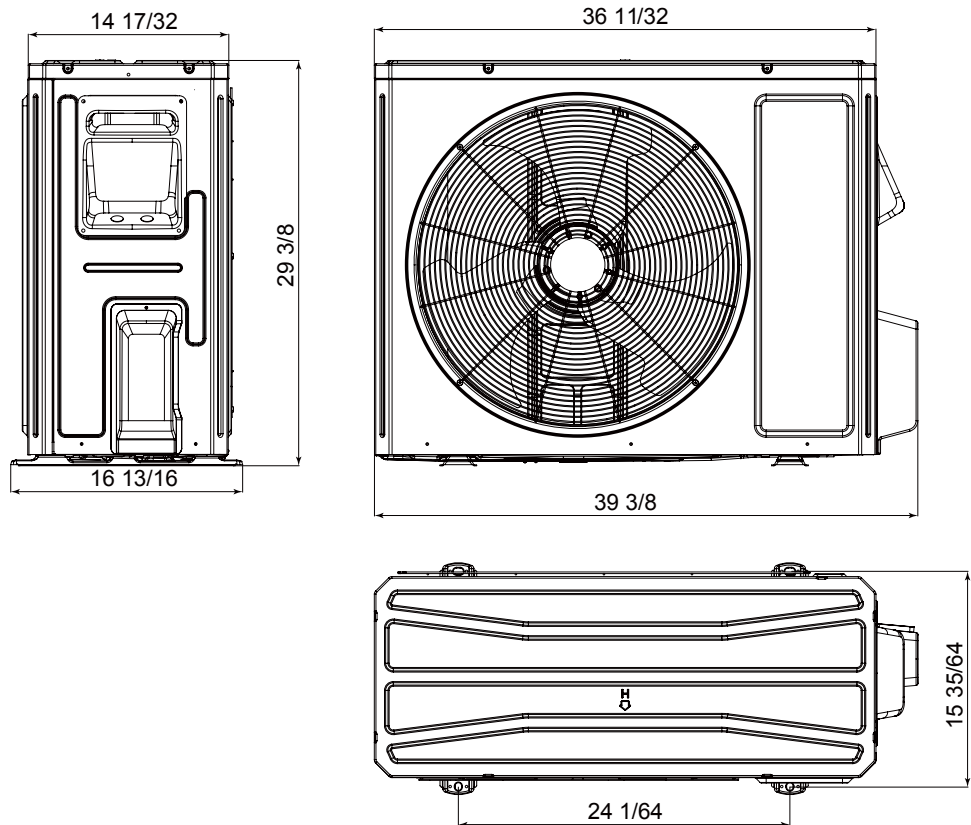
LIV36HP230V1R32AH	
DIMENSIONS	
W	42 7/16
H	13 7/64
D	9 11/16
W1	6 15/64
W2	22 7/64
W3	10 5/32



OUTDOOR UNIT

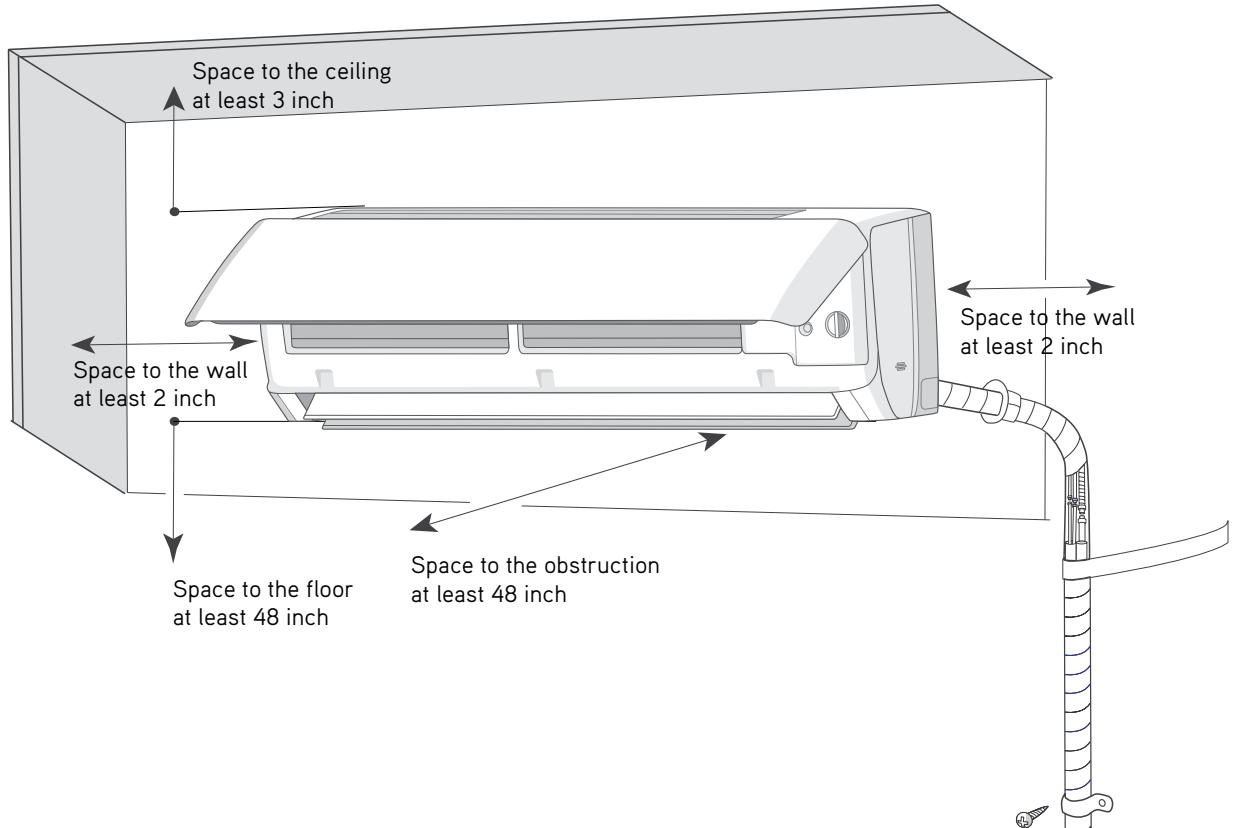
Unit: inch

LIV36HP230V1R32AO

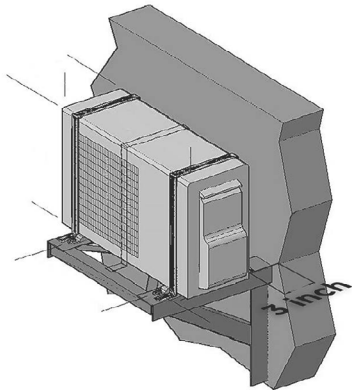


CLEARANCES

INDOOR UNIT Minimum clearance



OUTDOOR UNIT Minimum clearance



NOTE:
If bottom of the unit is free of airflow obstructions similar to the mounting bracket figure, the clearance to the wall on the back can be reduced to 3 inches.



Specifications are subject to change without notice. Manufacturer reserves the right to discontinue or modify specifications or designs without notice or without incurring obligations. All Rights reserved.