

SUBMITTAL DATA

MUL18HP230V1R32AO
18000 BTU/H Multi-Zone Heat Pump System

Job Name	Location	Date
Purchaser	Engineer	
Submitted to	For	
Unit Designation	Schedule No.	



MUL18HP230V1R32AO

GENERAL FEATURES

- AHRI Certificate: [215218913 \(Non-Ducted\)](#)
- [215218918 \(Ducted\)](#)
- [215218923 \(Mixed\)](#)
- High Efficiency DC Inverter Technology
- Compact and Quiet Design
- Auto Restart on Power Outages
- Multi-point Diagnostics
- Wi-Fi Included (Factory Installed)
- Low Ambient Cooling down to -22°F (Range -22°F to 118°F)
- Low Ambient Heating down to -22°F (Range -22°F to 75°F)
- Coil (Indoor and Outdoor) Copper Tube / Aluminum Fin
- Blue Colored Fin - 500 Hrs Salt Spray Tested

MULTI-ZONE COMPATIBILITY CHART

WALL MOUNT OPTIONS

MULTI R32								
	MUL18HP230V1R32AO	MUL19HP230V1R32AO	MUL24HP230V1R32AO	MUL30HP230V1R32AO	MUL36HP230V1R32AO	MUL42HP230V1R32AO	MUL48HP230V1R32AO	MUL60HP230V1R32AO
LIVO R32								
System Model no.								
LIV05HP230V1R32AH	•	•	•	•	•	•	•	•
LIV07HP230V1R32AH	•	•	•	•	•	•	•	•
LIV09HP230V1R32AH	•	•	•	•	•	•	•	•
LIV12HP230V1R32AH	•	•	•	•	•	•	•	•
LIV18HP230V1R32AH			•	•	•	•	•	•
LIV24HP230V1R32AH				•	•	•	•	•
LIV30HP230V1R32AH								•
LIV36HP230V1R32AH								•
ZENO R32								
System Model no.								
WZEN09HPJ132AH	•	•						
WZEN12HPJ132AH	•	•						
VIREO R32								
System Model no.								
VIR09HP230V1R32AH	•	•	•	•	•	•	•	•
VIR12HP230V1R32AH	•	•	•	•	•	•	•	•
VIR18HP230V1R32AH			•	•	•	•	•	•
VIR24HP230V1R32AH				•	•	•	•	•
ENVO R32								
System Model no.								
ENV09HP230V1R32AH	•	•	•	•	•	•	•	•
ENV12HP230V1R32AH	•	•	•	•	•	•	•	•
ENV18HP230V1R32AH			•	•	•	•	•	•
ENV24HP230V1R32AH				•	•	•	•	•
SAPPHIRE R32								
System Model no.								
SAP09HP230V1R32AH	•	•	•	•	•	•	•	•
SAP12HP230V1R32AH	•	•	•	•	•	•	•	•
SAP18HP230V1R32AH			•	•	•	•	•	•
SAP24HP230V1R32AH				•	•	•	•	•

NOTE: R32 Indoor units are only compatible with R32 Outdoor units. Keep in mind, line set is always sized by the indoor unit valve diameter.

ADDITIONAL INDOOR UNIT OPTIONS

MULTI R32								
	MUL18HP230V1R32AO	MUL19HP230V1R32AO	MUL24HP230V1R32AO	MUL30HP230V1R32AO	MUL36HP230V1R32AO	MUL42HP230V1R32AO	MUL48HP230V1R32AO	MUL60HP230V1R32AO
ONE WAY CASSETTE								
System Model no.								
OWC09HP230V1R32AH	•	•	•	•	•	•	•	•
OWC12HP230V1R32AH	•	•	•	•	•	•	•	•
OWC18HP230V1R32AH			•	•	•	•	•	•
OWC24HP230V1R32AH				•	•	•	•	•
360° CEILING CASSETTE								
System Model no.								
CAS09HP230V1R32AH	•	•	•	•	•	•	•	•
CAS12HP230V1R32AH	•	•	•	•	•	•	•	•
CAS18HP230V1R32AH			•	•	•	•	•	•
CAS24HP230V1R32AH				•	•	•	•	•
CAS30HP230V1R32AH								•
CAS36HP230V1R32AH								•
SLIM DUCT								
System Model no.								
DUC09HP230V1R32AH	•	•	•	•	•	•	•	•
DUC12HP230V1R32AH	•	•	•	•	•	•	•	•
DUC18HP230V1R32AH			•	•	•	•	•	•
DUC24HP230V1R32AH				•	•	•	•	•
DUC30HP230V1R32AH								•
DUC36HP230V1R32AH								•
FLOOR/CEILING								
System Model no.								
FLR09HP230V1R32AH	•	•	•	•	•	•	•	•
FLR12HP230V1R32AH	•	•	•	•	•	•	•	•
FLR18HP230V1R32AH			•	•	•	•	•	•
FLR24HP230V1R32AH				•	•	•	•	•
FLR30HP230V1R32AH								•
FLR36HP230V1R32AH								•
MINI CONSOLE								
System Model no.								
CON09HP230V1R32AH	•	•	•	•	•	•	•	•
CON12HP230V1R32AH	•	•	•	•	•	•	•	•
CON18HP230V1R32AH			•	•	•	•	•	•
AIR HANDLER								
System Model no.								
VAH12HP230V1R32AH	•	•	•	•	•	•	•	•
VAH18HP230V1R32AH			•	•	•	•	•	•
VAH24HP230V1R32AH				•	•	•	•	•

SPECIFICATIONS, FEATURES & FUNCTION SUMMARY

SYSTEM TYPE		HEAT PUMP	
Outdoor Model		MUL18HP230V1R32AO	
Number of Zones		2	
SYSTEM PERFORMANCE (Non-Ducted Indoor Units)			
Cooling Capacity	Min - Max	Btu/h	7,300 - 19,800
	Rated Capacity @95°F	Btu/h	18,000
Heating Capacity	Min - Max	Btu/h	7,300 - 18,100
	Rated Capacity @47°F	Btu/h	18,000
	Rated Capacity @17°F	Btu/h	16,000
	Rated Capacity @5°F	Btu/h	13,800
SEER2		21	
EER2		12.0	
HSPF2		10.0	
COP @5°F		2.0	
SYSTEM PERFORMANCE (Ducted Indoor Units)			
Cooling Capacity	Min - Max	Btu/h	7,300 - 19,800
	Rated Capacity @95°F	Btu/h	18,000
Heating Capacity	Min - Max	Btu/h	7,300 - 18,100
	Rated Capacity @47°F	Btu/h	18,000
	Rated Capacity @17°F	Btu/h	15,000
	Rated Capacity @5°F	Btu/h	13,600
SEER2		18.0	
EER2		11.7	
HSPF2		8.1	
COP @5°F		1.86	
SYSTEM PERFORMANCE (Mixed Ducted and Non-Ducted Indoor Units)			
Cooling Capacity	Min - Max	Btu/h	7,300 - 19,800
	Rated Capacity @95°F	Btu/h	18,000
Heating Capacity	Min - Max	Btu/h	7,300 - 18,100
	Rated Capacity @47°F	Btu/h	18,000
	Rated Capacity @17°F	Btu/h	15,400
	Rated Capacity @5°F	Btu/h	13,700
SEER2		19.0	
EER2		11.8	
HSPF2		9.0	
COP @5°F		1.80	
OUTDOOR UNIT		MUL18HP230V1R32AO	
Cooling Temperature Range	°F	-22 - 118	
Heating Temperature Range	°F	-22 - 75	
Refrigerant Type		R32	
Compressor Type		GREE G-20 / Double Cylinder / 1 - STAGE INVERTER	
Sound Pressure Level	dB(A)	51	
External Dimensions (W x H x D)	in	32-23/64 x 21-42/64 x 13-55/64	
Package Dimension (W x H x D)	in	34-21/64 x 24-13/32 x 15-43/64	
Net Weight	lbs	78.3	
Gross Weight	lbs	84.9	
REFRIGERANT PIPING			
Refrigerant Charge - R32	oz	31.752	
Compressor Type		GREE G-20 / Double Cylinder / 1 - STAGE INVERTER	
Additional Charge	oz/ft	0.2	
Port Size (Liquid - Gas)	Port A (in)	1/4 - 3/8	
	Port B (in)	1/4 - 3/8	
	Port C (in)		
	Port D (in)		
	Port E (in)		
Pre-Charge Length	ft	33	
Pipe Length (Min - Max)	ft	10 - 131	
Pipe Length to furthest Indoor Unit	ft	66	
Max. Pipe Elevation	ft	49	
ELECTRICAL			
Power Supply		208-230V / 1Ph / 60Hz	
Voltage Range (Min - Max)	VAC	187 - 253	
Rated Current - Cooling	A	11	
Rated Current - Heating	A	11	
MOCP	A	20	
MCA	A	14.5	
Main Power Wire Size	AWG	Per Local Code	
Interconnecting Wire Size	AWG	14 / 4	
FEATURES & FUNCTIONS SUMMARY			
Inverter Type	G20		
Ultra Low Frequency Torque Control	Yes		
Compressor Type - Inverter	Yes		
Basepan With Electric Heater	Yes		
Indoor & Outdoor Fin Coating (Blue Fin)	Yes		
Intelligent Defrosting	Yes		
Intelligent Preheating	Yes		
Low Voltage Startup	Yes		
Memory/Power Failure Recovery	Yes		
Self Diagnosis	Yes		

ALLOWABLE COMBINATIONS CAPACITIES

MODEL NUMBER	POSSIBLE COMBINATIONS*	COOLING CAPACITY (Btu/h)					HEATING CAPACITY (Btu/h)				
		ZONE1	ZONE2	ZONE3	ZONE4	ZONE5	ZONE1	ZONE2	ZONE3	ZONE4	ZONE5
MUL18HP230V1R32AO	5K+5K	5,000	5,000				6,000	6,000			
MUL18HP230V1R32AO	5K+9K	5,000	9,000				6,000	9,000			
MUL18HP230V1R32AO	5K+12K	5,000	12,000				6,000	12,000			
MUL18HP230V1R32AO	7K+7K	7,000	7,000				8,000	8,000			
MUL18HP230V1R32AO	7K+9K	7,000	9,000				8,000	9,000			
MUL18HP230V1R32AO	7K+12K	6,630	11,370				6,630	11,370			
MUL18HP230V1R32AO	5K+7K	5,000	7,000				6,000	8,000			
MUL18HP230V1R32AO	9K+9K	9,000	9,000				9,000	9,000			
MUL18HP230V1R32AO	9K+12K	7,714	10,286				7,714	10,286			
MUL18HP230V1R32AO	12K+12K	9,000	9,000				9,000	9,000			

Outdoor Unit & Possible Indoor Unit Combinations with AHRI Certified Performance

*You may substitute the 9K unit with a 5K or 7K High Wall unit, find complete capacity information in the extended ratings chart.

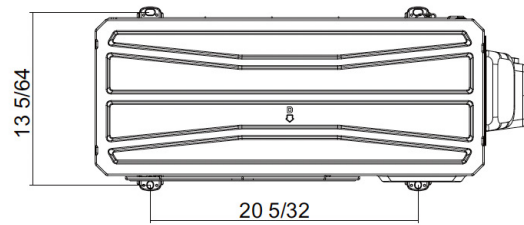
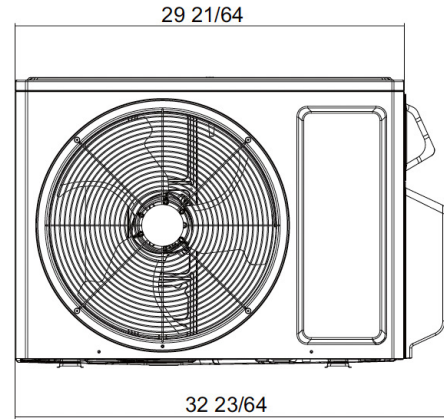
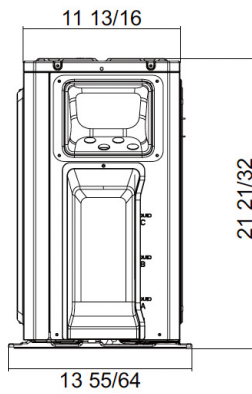
DIMENSIONS

OUTDOOR UNIT

Unit: inch

MUL18HP230V1R32AO

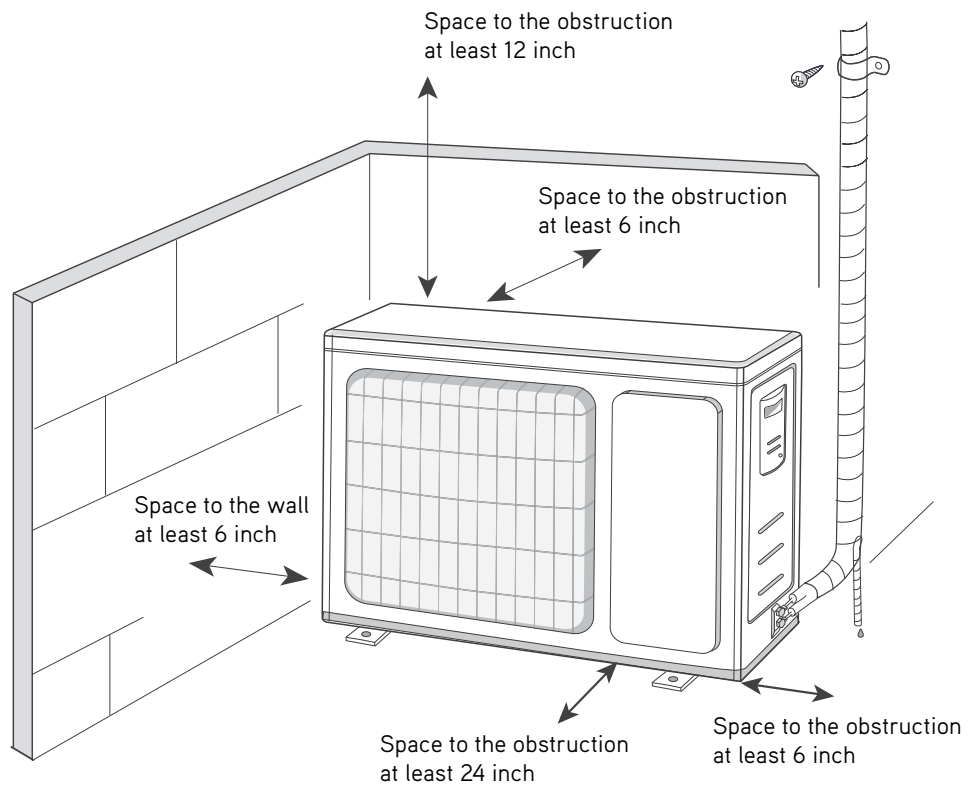
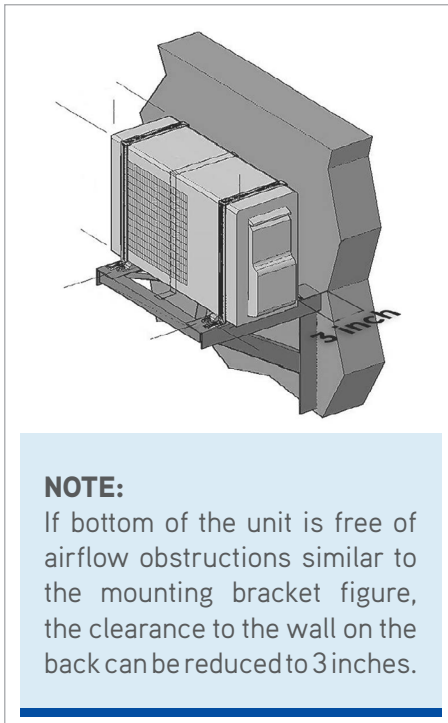
DIMENSIONS



CLEARANCES

OUTDOOR UNIT

Minimum clearance



Specifications are subject to change without notice. Manufacturer reserves the right to discontinue or modify specifications or designs without notice or without incurring obligations. All Rights reserved.

Greecomfort.com/system-documentation