

SUBMITTAL DATA

MUL30HP230V1R32AO
30000 BTU/H Multi-Zone Heat Pump System

Job Name	Location	Date
Purchaser	Engineer	
Submitted to	For	
Unit Designation	Schedule No.	



MUL30HP230V1R32AO

GENERAL FEATURES

- AHRI Certificate: [215218915 \(Non-Ducted\)](#)
- [215218920 \(Ducted\)](#)
- [215218925 \(Mixed\)](#)
- High Efficiency DC Inverter Technology
- Compact and Quiet Design
- Auto Restart on Power Outages
- Multi-point Diagnostics
- Wi-Fi Included (Factory Installed)
- Low Ambient Cooling down to -22°F (Range -22°F to 118°F)
- Low Ambient Heating down to -22°F (Range -22°F to 75°F)
- Coil (Indoor and Outdoor) Copper Tube / Aluminum Fin
- Blue Colored Fin - 500 Hrs Salt Spray Tested

MULTI-ZONE COMPATIBILITY CHART

WALL MOUNT OPTIONS

	MULTI R32							
	MUL18HP230V1R32AO	MUL19HP230V1R32AO	MUL24HP230V1R32AO	MUL30HP230V1R32AO	MUL36HP230V1R32AO	MUL42HP230V1R32AO	MUL48HP230V1R32AO	MUL60HP230V1R32AO
LIVO R32								
System Model no.								
LIV05HP230V1R32AH	•	•	•	•	•	•	•	•
LIV07HP230V1R32AH	•	•	•	•	•	•	•	•
LIV09HP230V1R32AH	•	•	•	•	•	•	•	•
LIV12HP230V1R32AH	•	•	•	•	•	•	•	•
LIV18HP230V1R32AH			•	•	•	•	•	•
LIV24HP230V1R32AH				•	•	•	•	•
LIV30HP230V1R32AH								•
LIV36HP230V1R32AH								•
ZENO R32								
System Model no.								
WZEN09HPJ132AH	•	•						
WZEN12HPJ132AH	•	•						
VIREO R32								
System Model no.								
VIR09HP230V1R32AH	•	•	•	•	•	•	•	•
VIR12HP230V1R32AH	•	•	•	•	•	•	•	•
VIR18HP230V1R32AH			•	•	•	•	•	•
VIR24HP230V1R32AH				•	•	•	•	•
ENVO R32								
System Model no.								
ENV09HP230V1R32AH	•	•	•	•	•	•	•	•
ENV12HP230V1R32AH	•	•	•	•	•	•	•	•
ENV18HP230V1R32AH			•	•	•	•	•	•
ENV24HP230V1R32AH				•	•	•	•	•
SAPPHIRE R32								
System Model no.								
SAP09HP230V1R32AH	•	•	•	•	•	•	•	•
SAP12HP230V1R32AH	•	•	•	•	•	•	•	•
SAP18HP230V1R32AH			•	•	•	•	•	•
SAP24HP230V1R32AH				•	•	•	•	•

NOTE: R32 Indoor units are only compatible with R32 Outdoor units. Keep in mind, line set is always sized by the indoor unit valve diameter.

ADDITIONAL INDOOR UNIT OPTIONS

	MULTI R32							
	MUL18HP230V1R32AO	MUL19HP230V1R32AO	MUL24HP230V1R32AO	MUL30HP230V1R32AO	MUL36HP230V1R32AO	MUL42HP230V1R32AO	MUL48HP230V1R32AO	MUL60HP230V1R32AO
ONE WAY CASSETTE								
System Model no.								
OWC09HP230V1R32AH	•	•	•	•	•	•	•	•
OWC12HP230V1R32AH	•	•	•	•	•	•	•	•
OWC18HP230V1R32AH			•	•	•	•	•	•
OWC24HP230V1R32AH				•	•	•	•	•
360° CEILING CASSETTE								
System Model no.								
CAS09HP230V1R32AH	•	•	•	•	•	•	•	•
CAS12HP230V1R32AH	•	•	•	•	•	•	•	•
CAS18HP230V1R32AH			•	•	•	•	•	•
CAS24HP230V1R32AH				•	•	•	•	•
CAS30HP230V1R32AH								•
CAS36HP230V1R32AH								•
SLIM DUCT								
System Model no.								
DUC09HP230V1R32AH	•	•	•	•	•	•	•	•
DUC12HP230V1R32AH	•	•	•	•	•	•	•	•
DUC18HP230V1R32AH			•	•	•	•	•	•
DUC24HP230V1R32AH				•	•	•	•	•
DUC30HP230V1R32AH								•
DUC36HP230V1R32AH								•
FLOOR/CEILING								
System Model no.								
FLR09HP230V1R32AH	•	•	•	•	•	•	•	•
FLR12HP230V1R32AH	•	•	•	•	•	•	•	•
FLR18HP230V1R32AH			•	•	•	•	•	•
FLR24HP230V1R32AH				•	•	•	•	•
FLR30HP230V1R32AH								•
FLR36HP230V1R32AH								•
MINI CONSOLE								
System Model no.								
CON09HP230V1R32AH	•	•	•	•	•	•	•	•
CON12HP230V1R32AH	•	•	•	•	•	•	•	•
CON18HP230V1R32AH			•	•	•	•	•	•
AIR HANDLER								
System Model no.								
VAH12HP230V1R32AH	•	•	•	•	•	•	•	•
VAH18HP230V1R32AH			•	•	•	•	•	•
VAH24HP230V1R32AH				•	•	•	•	•

SPECIFICATIONS, FEATURES & FUNCTION SUMMARY

SYSTEM TYPE		HEAT PUMP	
Outdoor Model		MUL30HP230V1R32AO	
Number of Zones		2 - 4	
SYSTEM PERFORMANCE (Non-Ducted Indoor Units)			
Cooling Capacity	Min - Max	Btu/h	8,190 - 34,100
	Rated Capacity @95°F	Btu/h	28,400
Heating Capacity	Min - Max	Btu/h	8,190 - 40,900
	Rated Capacity @47°F	Btu/h	30,000
	Rated Capacity @17°F	Btu/h	28,000
	Rated Capacity @5°F	Btu/h	27,000
SEER2		21	
EER2		13.6	
HSPF2		10.0	
COP @5°F		2.07	
SYSTEM PERFORMANCE (Ducted Indoor Units)			
Cooling Capacity	Min - Max	Btu/h	8,190 - 34,100
	Rated Capacity @95°F	Btu/h	28,400
Heating Capacity	Min - Max	Btu/h	8,190 - 40,900
	Rated Capacity @47°F	Btu/h	30,000
	Rated Capacity @17°F	Btu/h	27,200
	Rated Capacity @5°F	Btu/h	26,000
SEER2		18.0	
EER2		12.0	
HSPF2		8.1	
COP @5°F		1.88	
SYSTEM PERFORMANCE (Mixed Ducted and Non-Ducted Indoor Units)			
Cooling Capacity	Min - Max	Btu/h	8,190 - 34,100
	Rated Capacity @95°F	Btu/h	28,400
Heating Capacity	Min - Max	Btu/h	8,190 - 40,900
	Rated Capacity @47°F	Btu/h	30,000
	Rated Capacity @17°F	Btu/h	27,600
	Rated Capacity @5°F	Btu/h	26,400
SEER2		19.0	
EER2		12.2	
HSPF2		9.0	
COP @5°F		1.81	
OUTDOOR UNIT		MUL30HP230V1R32AO	
Cooling Temperature Range	°F	-22 - 118	
Heating Temperature Range	°F	-22 - 75	
Refrigerant Type		R32	
Compressor Type		GREE G-20 / Double Cylinder / 1 - STAGE INVERTER	
Sound Pressure Level	dB(A)	58	
External Dimensions (W x H x D)	in	40-10/64 x 32-33/64 x 16-52/64	
Package Dimension (W x H x D)	in	43-1/32 x 34-27/32 x 19-9/16	
Net Weight	lbs	145.5	
Gross Weight	lbs	161.0	
REFRIGERANT PIPING			
Refrigerant Charge - R32	oz	77.616	
Compressor Type		GREE G-20 / Double Cylinder / 1 - STAGE INVERTER	
Additional Charge	oz/ft	0.2	
Port Size (Liquid - Gas)	Port A (in)	1/4 - 3/8	
	Port B (in)	1/4 - 3/8	
	Port C (in)	1/4 - 3/8	
	Port D (in)	1/4 - 3/8	
	Port E (in)		
Pre-Charge Length	ft	131	
Pipe Length (Min - Max)	ft	10 - 263	
Pipe Length to furthest Indoor Unit	ft	82	
Max. Pipe Elevation	ft	82	
ELECTRICAL			
Power Supply		208-230V / 1Ph / 60Hz	
Voltage Range (Min - Max)	VAC	187 - 253	
Rated Current - Cooling	A	20	
Rated Current - Heating	A	21.7	
MOCP	A	30	
MCA	A	23	
Main Power Wire Size	AWG	Per Local Code	
Interconnecting Wire Size	AWG	14 / 4	
FEATURES & FUNCTIONS SUMMARY			
Inverter Type	G20		
Ultra Low Frequency Torque Control	Yes		
Compressor Type - Inverter	Yes		
Basepan With Electric Heater	Yes		
Indoor & Outdoor Fin Coating (Blue Fin)	Yes		
Intelligent Defrosting	Yes		
Intelligent Preheating	Yes		
Low Voltage Startup	Yes		
Memory/Power Failure Recovery	Yes		
Self Diagnosis	Yes		

ALLOWABLE COMBINATIONS CAPACITIES

MODEL NUMBER	POSSIBLE COMBINATIONS*	COOLING CAPACITY (Btu/h)					HEATING CAPACITY (Btu/h)				
		ZONE1	ZONE2	ZONE3	ZONE4	ZONE5	ZONE1	ZONE2	ZONE3	ZONE4	ZONE5
MUL30HP230V1R32AO	5K+12K	5,000	12,000				5,000	12,000			
MUL30HP230V1R32AO	5K+18K	5,000	18,000				5,000	18,000			
MUL30HP230V1R32AO	5K+24K	5,000	24,000				5,000	24,000			
MUL30HP230V1R32AO	7K+9K	7,000	9,000				7,000	9,000			
MUL30HP230V1R32AO	7K+12K	7,000	12,000				7,000	12,000			
MUL30HP230V1R32AO	7K+18K	7,000	18,000				7,000	18,000			
MUL30HP230V1R32AO	7K+24K	6,774	23,226				6,774	23,226			
MUL30HP230V1R32AO	9K+9K	9,000	9,000				9,000	9,000			
MUL30HP230V1R32AO	9K+12K	9,000	12,000				9,000	12,000			
MUL30HP230V1R32AO	9K+18K	9,000	18,000				9,000	18,000			
MUL30HP230V1R32AO	9K+24K	7,745	20,655				8,182	21,818			
MUL30HP230V1R32AO	12K+12K	12,000	12,000				12,000	12,000			
MUL30HP230V1R32AO	12K+18K	11,360	17,040				12,000	18,000			
MUL30HP230V1R32AO	12K+24K	9,467	18,933				10,000	20,000			
MUL30HP230V1R32AO	18K+18K	14,200	14,200				15,000	15,000			
MUL30HP230V1R32AO	18K+24K	12,171	16,229				12,857	17,143			
MUL30HP230V1R32AO	5K+5K+5K	5,000	5,000	5,000			6,000	6,000	6,000		
MUL30HP230V1R32AO	7K+7K+7K	7,000	7,000	7,000			8,000	8,000	8,000		
MUL30HP230V1R32AO	5K+5K+7K	5,000	5,000	6,000			6,000	6,000	8,000		
MUL30HP230V1R32AO	5K+7K+7K	5,000	7,000	7,000			6,000	8,000	8,000		
MUL30HP230V1R32AO	5K+5K+9K	5,000	5,000	9,000			5,000	5,000	9,000		
MUL30HP230V1R32AO	5K+5K+12K	5,000	5,000	12,000			5,000	5,000	12,000		
MUL30HP230V1R32AO	5K+5K+18K	5,000	5,000	18,000			5,000	5,000	18,000		
MUL30HP230V1R32AO	5K+5K+24K	4,412	4,412	21,176			4,412	4,412	21,176		
MUL30HP230V1R32AO	5K+7K+9K	5,000	7,000	9,000			5,000	7,000	9,000		
MUL30HP230V1R32AO	5K+7K+12K	5,000	7,000	12,000			5,000	7,000	12,000		
MUL30HP230V1R32AO	5K+7K+18K	5,000	7,000	18,000			5,000	7,000	18,000		
MUL30HP230V1R32AO	5K+7K+24K	4,167	5,833	20,000			4,167	5,833	20,000		
MUL30HP230V1R32AO	5K+9K+9K	5,000	9,000	9,000			5,000	9,000	9,000		
MUL30HP230V1R32AO	5K+9K+12K	5,000	9,000	12,000			5,000	9,000	12,000		
MUL30HP230V1R32AO	5K+9K+18K	4,688	8,438	16,875			4,688	8,438	16,875		
MUL30HP230V1R32AO	5K+9K+24K	3,947	7,105	18,947			3,947	7,105	18,947		
MUL30HP230V1R32AO	5K+12K+12K	5,000	12,000	12,000			5,000	12,000	12,000		
MUL30HP230V1R32AO	5K+12K+18K	4,286	10,286	15,429			4,286	10,286	15,429		
MUL30HP230V1R32AO	5K+12K+24K	3,659	8,780	17,561			3,659	8,780	17,561		
MUL30HP230V1R32AO	5K+18K+18K	3,659	13,171	13,171			3,659	13,171	13,171		
MUL30HP230V1R32AO	7K+7K+9K	7,000	7,000	9,000			7,000	7,000	9,000		
MUL30HP230V1R32AO	7K+7K+12K	7,000	7,000	12,000			7,000	7,000	12,000		
MUL30HP230V1R32AO	7K+7K+18K	6,563	6,563	16,875			6,563	6,563	16,875		
MUL30HP230V1R32AO	7K+7K+24K	5,526	5,526	18,947			5,526	5,526	18,947		
MUL30HP230V1R32AO	7K+9K+9K	7,000	9,000	9,000			7,000	9,000	9,000		
MUL30HP230V1R32AO	7K+9K+12K	7,000	9,000	12,000			7,000	9,000	12,000		
MUL30HP230V1R32AO	7K+9K+18K	6,176	7,941	15,882			6,176	7,941	15,882		
MUL30HP230V1R32AO	7K+9K+24K	5,250	6,750	18,000			5,250	6,750	18,000		
MUL30HP230V1R32AO	7K+12K+12K	6,774	11,613	11,613			6,774	11,613	11,613		
MUL30HP230V1R32AO	7K+12K+18K	5,676	9,730	14,595			5,676	9,730	14,595		
MUL30HP230V1R32AO	7K+12K+24K	4,884	8,372	16,744			4,884	8,372	16,744		
MUL30HP230V1R32AO	7K+18K+18K	4,884	12,558	12,558			4,884	12,558	12,558		

Outdoor Unit & Possible Indoor Unit Combinations with AHRI Certified Performance

*You may substitute the 9K unit with a 5K or 7K High Wall unit, find complete capacity information in the extended ratings chart.

MODEL NUMBER	POSSIBLE COMBINATIONS*	COOLING CAPACITY (Btu/h)					HEATING CAPACITY (Btu/h)				
		ZONE1	ZONE2	ZONE3	ZONE4	ZONE5	ZONE1	ZONE2	ZONE3	ZONE4	ZONE5
MUL30HP230V1R32AO	9K+9K+9K	9,000	9,000	9,000			9,000	9,000	9,000		
MUL30HP230V1R32AO	9K+9K+12K	8,520	8,520	11,360			9,000	9,000	12,000		
MUL30HP230V1R32AO	9K+9K+18K	7,100	7,100	14,200			7,500	7,500	15,000		
MUL30HP230V1R32AO	9K+9K+24K	6,086	6,086	16,229			6,429	6,429	17,143		
MUL30HP230V1R32AO	9K+12K+12K	7,745	10,327	10,327			8,182	10,909	10,909		
MUL30HP230V1R32AO	9K+12K+18K	6,554	8,738	13,108			6,923	9,231	13,846		
MUL30HP230V1R32AO	9K+12K+24K	5,680	7,573	15,147			6,000	8,000	16,000		
MUL30HP230V1R32AO	9K+18K+18K	5,680	11,360	11,360			6,000	12,000	12,000		
MUL30HP230V1R32AO	12K+12K+12K	9,467	9,467	9,467			10,000	10,000	10,000		
MUL30HP230V1R32AO	12K+12K+18K	8,114	8,114	12,171			8,571	8,571	12,857		
MUL30HP230V1R32AO	5K+5K+7K+24K	3,659	3,659	5,122	17,561		3,659	3,659	5,122	17,561	
MUL30HP230V1R32AO	5K+5K+9K+9K	5,000	5,000	9,000	9,000		5,000	5,000	9,000	9,000	
MUL30HP230V1R32AO	5K+5K+9K+12K	4,839	4,839	8,710	11,613		4,839	4,839	8,710	11,613	
MUL30HP230V1R32AO	5K+5K+9K+18K	4,054	4,054	7,297	14,595		4,054	4,054	7,297	14,595	
MUL30HP230V1R32AO	5K+5K+9K+24K	3,488	3,488	6,279	16,744		3,488	3,488	6,279	16,744	
MUL30HP230V1R32AO	5K+5K+12K+12K	4,412	4,412	10,588	10,588		4,412	4,412	10,588	10,588	
MUL30HP230V1R32AO	5K+5K+12K+18K	3,750	3,750	9,000	13,500		3,750	3,750	9,000	13,500	
MUL30HP230V1R32AO	5K+5K+18K+18K	3,261	3,261	11,739	11,739		3,261	3,261	11,739	11,739	
MUL30HP230V1R32AO	5K+7K+7K+7K	5,000	7,000	7,000	7,000		6,000	8,000	8,000	8,000	
MUL30HP230V1R32AO	5K+7K+7K+9K	5,000	7,000	7,000	9,000		5,000	7,000	7,000	9,000	
MUL30HP230V1R32AO	5K+7K+7K+12K	4,839	6,774	6,774	11,613		4,839	6,774	6,774	11,613	
MUL30HP230V1R32AO	5K+7K+7K+18K	4,054	5,676	5,676	14,595		4,054	5,676	5,676	14,595	
MUL30HP230V1R32AO	5K+7K+7K+24K	3,488	4,884	4,884	16,744		3,488	4,884	4,884	16,744	
MUL30HP230V1R32AO	5K+7K+9K+9K	5,000	7,000	9,000	9,000		5,000	7,000	9,000	9,000	
MUL30HP230V1R32AO	5K+7K+9K+12K	4,545	6,364	8,182	10,909		4,545	6,364	8,182	10,909	
MUL30HP230V1R32AO	5K+7K+9K+18K	3,846	5,385	6,923	13,846		3,846	5,385	6,923	13,846	
MUL30HP230V1R32AO	5K+7K+9K+24K	3,333	4,667	6,000	16,000		3,333	4,667	6,000	16,000	
MUL30HP230V1R32AO	5K+7K+12K+12K	4,167	5,833	10,000	10,000		4,167	5,833	10,000	10,000	
MUL30HP230V1R32AO	5K+7K+12K+18K	3,571	5,000	8,571	12,857		3,571	5,000	8,571	12,857	
MUL30HP230V1R32AO	5K+9K+9K+9K	4,688	8,438	8,438	8,438		4,688	8,438	8,438	8,438	
MUL30HP230V1R32AO	5K+9K+9K+12K	4,286	7,714	7,714	10,286		4,286	7,714	7,714	10,286	
MUL30HP230V1R32AO	5K+9K+9K+18K	3,659	6,585	6,585	13,171		3,659	6,585	6,585	13,171	
MUL30HP230V1R32AO	5K+9K+12K+12K	3,947	7,105	9,474	9,474		3,947	7,105	9,474	9,474	
MUL30HP230V1R32AO	5K+9K+12K+18K	3,409	6,136	8,182	12,273		3,409	6,136	8,182	12,273	
MUL30HP230V1R32AO	5K+12K+12K+12K	3,659	8,780	8,780	8,780		3,659	8,780	8,780	8,780	
MUL30HP230V1R32AO	7K+7K+7K+7K	7,000	7,000	7,000	7,000		8,000	8,000	8,000	8,000	
MUL30HP230V1R32AO	7K+7K+7K+9K	7,000	7,000	7,000	9,000		7,000	7,000	7,000	9,000	
MUL30HP230V1R32AO	7K+7K+7K+12K	6,364	6,364	6,364	10,909		6,364	6,364	6,364	10,909	
MUL30HP230V1R32AO	7K+7K+7K+18K	5,385	5,385	5,385	13,846		5,385	5,385	5,385	13,846	
MUL30HP230V1R32AO	7K+7K+7K+24K	4,667	4,667	4,667	16,000		4,667	4,667	4,667	16,000	
MUL30HP230V1R32AO	7K+7K+9K+9K	6,563	6,563	8,438	8,438		6,563	6,563	8,438	8,438	
MUL30HP230V1R32AO	7K+7K+9K+12K	6,000	6,000	7,714	10,286		6,000	6,000	7,714	10,286	
MUL30HP230V1R32AO	7K+7K+9K+18K	5,122	5,122	6,585	13,171		5,122	5,122	6,585	13,171	
MUL30HP230V1R32AO	7K+7K+12K+12K	5,526	5,526	9,474	9,474		5,526	5,526	9,474	9,474	
MUL30HP230V1R32AO	7K+7K+12K+18K	4,773	4,773	8,182	12,273		4,773	4,773	8,182	12,273	
MUL30HP230V1R32AO	7K+9K+9K+9K	6,176	7,941	7,941	7,941		6,176	7,941	7,941	7,941	
MUL30HP230V1R32AO	7K+9K+9K+12K	5,676	7,297	7,297	9,730		5,676	7,297	7,297	9,730	
MUL30HP230V1R32AO	7K+9K+9K+18K	4,884	6,279	6,279	12,558		4,884	6,279	6,279	12,558	
MUL30HP230V1R32AO	7K+9K+12K+12K	5,250	6,750	9,000	9,000		5,250	6,750	9,000	9,000	
MUL30HP230V1R32AO	7K+12K+12K+12K	4,884	8,372	8,372	8,372		4,884	8,372	8,372	8,372	
MUL30HP230V1R32AO	9K+9K+9K+9K	7,100	7,100	7,100	7,100		7,500	7,500	7,500	7,500	
MUL30HP230V1R32AO	9K+9K+9K+12K	6,554	6,554	6,554	8,738		6,923	6,923	6,923	9,231	
MUL30HP230V1R32AO	9K+9K+9K+18K	5,680	5,680	5,680	11,360		6,000	6,000	6,000	12,000	
MUL30HP230V1R32AO	9K+9K+12K+12K	6,086	6,086	8,114	8,114		6,429	6,429	8,571	8,571	
MUL30HP230V1R32AO	9K+12K+12K+12K	5,680	7,573	7,573	7,573		6,000	8,000	8,000	8,000	

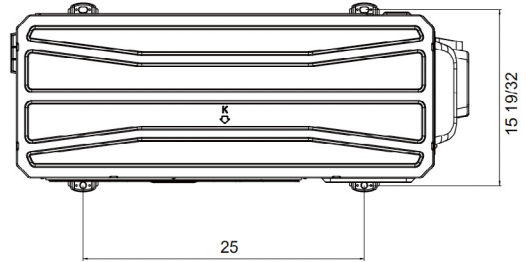
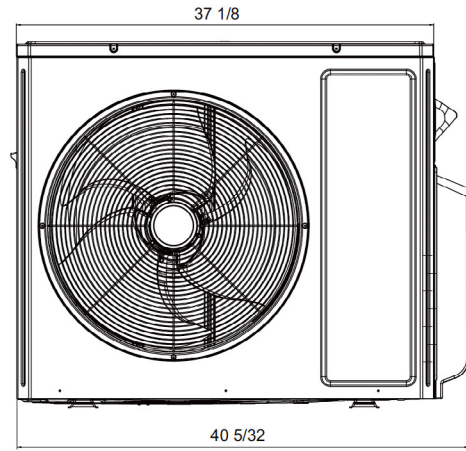
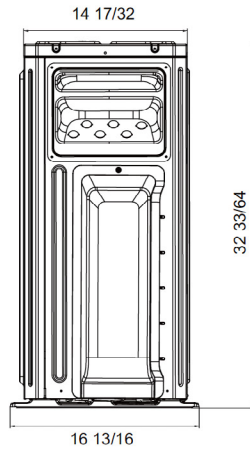
DIMENSIONS

OUTDOOR UNIT

Unit: inch

MUL30HP230V1R32AO

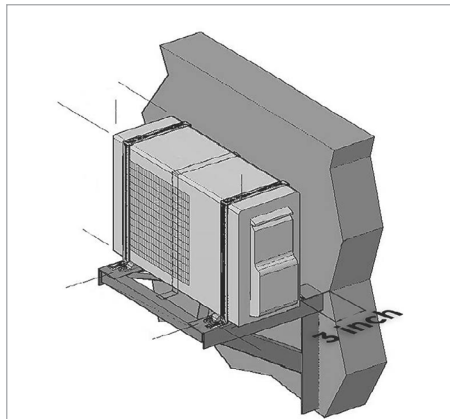
DIMENSIONS



CLEARANCES

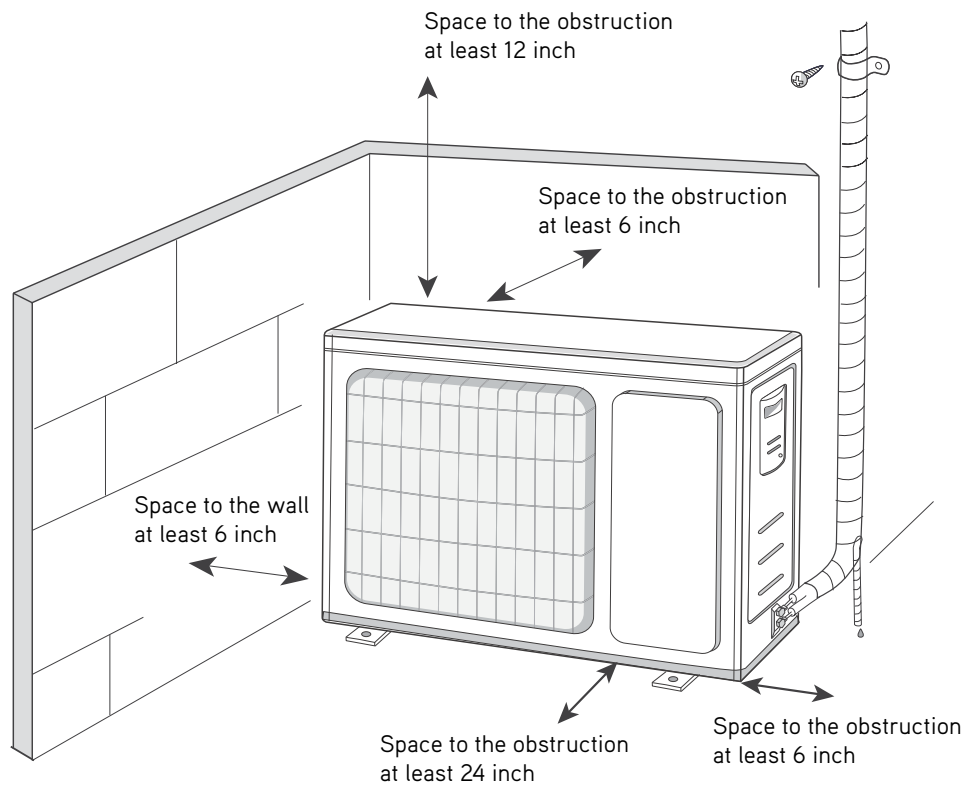
OUTDOOR UNIT

Minimum clearance



NOTE:

If bottom of the unit is free of airflow obstructions similar to the mounting bracket figure, the clearance to the wall on the back can be reduced to 3 inches.



Specifications are subject to change without notice. Manufacturer reserves the right to discontinue or modify specifications or designs without notice or without incurring obligations. All Rights reserved.

Greecomfort.com/System-Documentation