

SUBMITTAL DATA

MUL36HP230V1R32AO
36000 BTU/H Multi-Zone Heat Pump System

Job Name	Location	Date
Purchaser	Engineer	
Submitted to	For	
Unit Designation	Schedule No.	



MUL36HP230V1R32AO

GENERAL FEATURES

- AHRI Certificate: [215218916 \(Non-Ducted\)](#)
- [215218921 \(Ducted\)](#)
- [215218926 \(Mixed\)](#)
- High Efficiency DC Inverter Technology
- Compact and Quiet Design
- Auto Restart on Power Outages
- Multi-point Diagnostics
- Wi-Fi Included (Factory Installed)
- Low Ambient Cooling down to -22°F (Range -22°F to 118°F)
- Low Ambient Heating down to -22°F (Range -22°F to 75°F)
- Coil (Indoor and Outdoor) Copper Tube / Aluminum Fin
- Blue Colored Fin - 500 Hrs Salt Spray Tested

MULTI-ZONE COMPATIBILITY CHART

WALL MOUNT OPTIONS

MULTI R32								
	MUL18HP230V1R32AO	MUL19HP230V1R32AO	MUL24HP230V1R32AO	MUL30HP230V1R32AO	MUL36HP230V1R32AO	MUL42HP230V1R32AO	MUL48HP230V1R32AO	MUL60HP230V1R32AO
LIVO R32								
System Model no.								
LIV05HP230V1R32AH	•	•	•	•	•	•	•	•
LIV07HP230V1R32AH	•	•	•	•	•	•	•	•
LIV09HP230V1R32AH	•	•	•	•	•	•	•	•
LIV12HP230V1R32AH	•	•	•	•	•	•	•	•
LIV18HP230V1R32AH			•	•	•	•	•	•
LIV24HP230V1R32AH				•	•	•	•	•
LIV30HP230V1R32AH								•
LIV36HP230V1R32AH								•
ZENO R32								
System Model no.								
WZEN09HPJ132AH	•	•						
WZEN12HPJ132AH	•	•						
VIREO R32								
System Model no.								
VIR09HP230V1R32AH	•	•	•	•	•	•	•	•
VIR12HP230V1R32AH	•	•	•	•	•	•	•	•
VIR18HP230V1R32AH			•	•	•	•	•	•
VIR24HP230V1R32AH				•	•	•	•	•
ENVO R32								
System Model no.								
ENV09HP230V1R32AH	•	•	•	•	•	•	•	•
ENV12HP230V1R32AH	•	•	•	•	•	•	•	•
ENV18HP230V1R32AH			•	•	•	•	•	•
ENV24HP230V1R32AH				•	•	•	•	•
SAPPHIRE R32								
System Model no.								
SAP09HP230V1R32AH	•	•	•	•	•	•	•	•
SAP12HP230V1R32AH	•	•	•	•	•	•	•	•
SAP18HP230V1R32AH			•	•	•	•	•	•
SAP24HP230V1R32AH				•	•	•	•	•

NOTE: R32 Indoor units are only compatible with R32 Outdoor units. Keep in mind, line set is always sized by the indoor unit valve diameter.

ADDITIONAL INDOOR UNIT OPTIONS

MULTI R32								
	MUL18HP230V1R32AO	MUL19HP230V1R32AO	MUL24HP230V1R32AO	MUL30HP230V1R32AO	MUL36HP230V1R32AO	MUL42HP230V1R32AO	MUL48HP230V1R32AO	MUL60HP230V1R32AO
ONE WAY CASSETTE								
System Model no.								
OWC09HP230V1R32AH	•	•	•	•	•	•	•	•
OWC12HP230V1R32AH	•	•	•	•	•	•	•	•
OWC18HP230V1R32AH			•	•	•	•	•	•
OWC24HP230V1R32AH				•	•	•	•	•
360° CEILING CASSETTE								
System Model no.								
CAS09HP230V1R32AH	•	•	•	•	•	•	•	•
CAS12HP230V1R32AH	•	•	•	•	•	•	•	•
CAS18HP230V1R32AH			•	•	•	•	•	•
CAS24HP230V1R32AH				•	•	•	•	•
CAS30HP230V1R32AH								•
CAS36HP230V1R32AH								•
SLIM DUCT								
System Model no.								
DUC09HP230V1R32AH	•	•	•	•	•	•	•	•
DUC12HP230V1R32AH	•	•	•	•	•	•	•	•
DUC18HP230V1R32AH			•	•	•	•	•	•
DUC24HP230V1R32AH				•	•	•	•	•
DUC30HP230V1R32AH								•
DUC36HP230V1R32AH								•
FLOOR/CEILING								
System Model no.								
FLR09HP230V1R32AH	•	•	•	•	•	•	•	•
FLR12HP230V1R32AH	•	•	•	•	•	•	•	•
FLR18HP230V1R32AH			•	•	•	•	•	•
FLR24HP230V1R32AH				•	•	•	•	•
FLR30HP230V1R32AH								•
FLR36HP230V1R32AH								•
MINI CONSOLE								
System Model no.								
CON09HP230V1R32AH	•	•	•	•	•	•	•	•
CON12HP230V1R32AH	•	•	•	•	•	•	•	•
CON18HP230V1R32AH			•	•	•	•	•	•
AIR HANDLER								
System Model no.								
VAH12HP230V1R32AH	•	•	•	•	•	•	•	•
VAH18HP230V1R32AH			•	•	•	•	•	•
VAH24HP230V1R32AH				•	•	•	•	•

SPECIFICATIONS, FEATURES & FUNCTION SUMMARY

SYSTEM TYPE		HEAT PUMP	
Outdoor Model		MUL36HP230V1R32AO	
Number of Zones		2 - 4	
SYSTEM PERFORMANCE (Non-Ducted Indoor Units)			
Cooling Capacity	Min - Max	Btu/h	8,870 - 40,900
	Rated Capacity @95°F	Btu/h	36,000
Heating Capacity	Min - Max	Btu/h	8,870 - 51,180
	Rated Capacity @47°F	Btu/h	36,000
	Rated Capacity @17°F	Btu/h	36,000
	Rated Capacity @5°F	Btu/h	36,000
SEER2		21	
EER2		12.0	
HSPF2		10.0	
COP @5°F		2.10	
SYSTEM PERFORMANCE (Ducted Indoor Units)			
Cooling Capacity	Min - Max	Btu/h	8,870 - 40,900
	Rated Capacity @95°F	Btu/h	36,000
Heating Capacity	Min - Max	Btu/h	8,870 - 51,180
	Rated Capacity @47°F	Btu/h	36,000
	Rated Capacity @17°F	Btu/h	36,000
	Rated Capacity @5°F	Btu/h	33,000
SEER2		18.0	
EER2		11.7	
HSPF2		8.1	
COP @5°F		1.90	
SYSTEM PERFORMANCE (Mixed Ducted and Non-Ducted Indoor Units)			
Cooling Capacity	Min - Max	Btu/h	8,870 - 40,900
	Rated Capacity @95°F	Btu/h	36,000
Heating Capacity	Min - Max	Btu/h	8,870 - 51,180
	Rated Capacity @47°F	Btu/h	36,000
	Rated Capacity @17°F	Btu/h	36,000
	Rated Capacity @5°F	Btu/h	34,000
SEER2		19.0	
EER2		11.8	
HSPF2		9.0	
COP @5°F		1.84	
OUTDOOR UNIT		MUL36HP230V1R32AO	
Cooling Temperature Range	°F	-22 - 118	
Heating Temperature Range	°F	-22 - 75	
Refrigerant Type		R32	
Compressor Type		GREE G-20 / Double Cylinder / 1 - STAGE INVERTER	
Sound Pressure Level	dB(A)	59	
External Dimensions (W x H x D)	in	40-10/64 x 32-33/64 x 16-52/64	
Package Dimension (W x H x D)	in	43-1/32 x 34-27/32 x 19-9/16	
Net Weight	lbs	173.1	
Gross Weight	lbs	188.5	
REFRIGERANT PIPING			
Refrigerant Charge - R32		oz	95.256
Compressor Type		GREE G-20 / Double Cylinder / 1 - STAGE INVERTER	
Additional Charge		oz/ft	0.2
Port Size (Liquid - Gas)	Port A (in)	1/4 - 3/8	
	Port B (in)	1/4 - 3/8	
	Port C (in)	1/4 - 3/8	
	Port D (in)	1/4 - 3/8	
	Port E (in)		
Pre-Charge Length	ft	131	
Pipe Length (Min - Max)	ft	10 - 263	
Pipe Length to furthest Indoor Unit	ft	82	
Max. Pipe Elevation	ft	82	
ELECTRICAL			
Power Supply		208-230V / 1Ph / 60Hz	
Voltage Range (Min - Max)	VAC	187 - 253	
Rated Current - Cooling	A	21.7	
Rated Current - Heating	A	22.6	
MOCP	A	35	
MCA	A	30	
Main Power Wire Size	AWG	Per Local Code	
Interconnecting Wire Size	AWG	14 / 4	
FEATURES & FUNCTIONS SUMMARY			
Inverter Type		G20	
Ultra Low Frequency Torque Control		Yes	
Compressor Type - Inverter		Yes	
Basepan With Electric Heater		Yes	
Indoor & Outdoor Fin Coating (Blue Fin)		Yes	
Intelligent Defrosting		Yes	
Intelligent Preheating		Yes	
Low Voltage Startup		Yes	
Memory/Power Failure Recovery		Yes	
Self Diagnosis		Yes	

ALLOWABLE COMBINATIONS CAPACITIES

MODEL NUMBER	POSSIBLE COMBINATIONS*	COOLING CAPACITY (Btu/h)					HEATING CAPACITY (Btu/h)				
		ZONE1	ZONE2	ZONE3	ZONE4	ZONE5	ZONE1	ZONE2	ZONE3	ZONE4	ZONE5
MUL36HP230V1R32AO	5K+18K	5,000	18,000				6,000	18,000			
MUL36HP230V1R32AO	5K+24K	5,000	24,000				6,000	24,000			
MUL36HP230V1R32AO	7K+12K	7,000	12,000				8,000	12,000			
MUL36HP230V1R32AO	7K+18K	7,000	18,000				8,000	18,000			
MUL36HP230V1R32AO	7K+24K	7,000	24,000				8,000	24,000			
MUL36HP230V1R32AO	9K+9K	9,000	9,000				9,000	9,000			
MUL36HP230V1R32AO	9K+12K	9,000	12,000				9,000	12,000			
MUL36HP230V1R32AO	9K+18K	9,000	18,000				9,000	18,000			
MUL36HP230V1R32AO	9K+24K	9,000	24,000				9,000	24,000			
MUL36HP230V1R32AO	12K+12K	12,000	12,000				12,000	12,000			
MUL36HP230V1R32AO	12K+18K	12,000	18,000				12,000	18,000			
MUL36HP230V1R32AO	12K+24K	12,000	24,000				12,000	24,000			
MUL36HP230V1R32AO	18K+18K	18,000	18,000				18,000	18,000			
MUL36HP230V1R32AO	18K+24K	15,429	20,571				15,429	20,571			
MUL36HP230V1R32AO	24K+24K	18,000	18,000				18,000	18,000			
MUL36HP230V1R32AO	7K+7K+7K	7,000	7,000	7,000			8,000	8,000	8,000		
MUL36HP230V1R32AO	5K+7K+7K	5,000	7,000	7,000			6,000	8,000	8,000		
MUL36HP230V1R32AO	5K+5K+9K	5,000	9,000	9,000			6,000	9,000	9,000		
MUL36HP230V1R32AO	5K+5K+12K	5,000	5,000	12,000			6,000	5,000	12,000		
MUL36HP230V1R32AO	5K+5K+18K	5,000	5,000	18,000			6,000	5,000	18,000		
MUL36HP230V1R32AO	5K+5K+24K	5,000	5,000	24,000			6,000	5,000	24,000		
MUL36HP230V1R32AO	5K+7K+9K	5,000	7,000	9,000			6,000	7,000	9,000		
MUL36HP230V1R32AO	5K+7K+12K	5,000	7,000	12,000			6,000	7,000	12,000		
MUL36HP230V1R32AO	5K+7K+18K	5,000	7,000	18,000			6,000	7,000	18,000		
MUL36HP230V1R32AO	5K+7K+24K	5,000	7,000	24,000			5,500	6,500	24,000		
MUL36HP230V1R32AO	5K+9K+9K	5,000	9,000	9,000			6,000	9,000	9,000		
MUL36HP230V1R32AO	5K+9K+12K	5,000	9,000	12,000			6,000	9,000	12,000		
MUL36HP230V1R32AO	5K+9K+18K	5,000	9,000	18,000			6,000	9,000	18,000		
MUL36HP230V1R32AO	5K+9K+24K	4,737	8,526	22,737			4,737	8,526	22,737		
MUL36HP230V1R32AO	5K+12K+12K	5,000	12,000	12,000			6,000	12,000	12,000		
MUL36HP230V1R32AO	5K+12K+18K	5,000	12,000	18,000			6,000	12,000	18,000		
MUL36HP230V1R32AO	5K+12K+24K	4,390	10,537	21,073			4,390	10,537	21,073		
MUL36HP230V1R32AO	5K+18K+18K	4,390	15,805	15,805			4,390	15,805	15,805		
MUL36HP230V1R32AO	5K+18K+24K	3,830	13,787	18,383			3,830	13,787	18,383		
MUL36HP230V1R32AO	5K+24K+24K	3,396	16,302	16,302			3,396	16,302	16,302		
MUL36HP230V1R32AO	7K+7K+9K	7,000	7,000	9,000			8,000	8,000	9,000		
MUL36HP230V1R32AO	7K+7K+12K	7,000	7,000	12,000			8,000	8,000	12,000		
MUL36HP230V1R32AO	7K+7K+18K	7,000	7,000	18,000			8,000	8,000	18,000		
MUL36HP230V1R32AO	7K+7K+24K	6,632	6,632	22,737			6,632	6,632	22,737		
MUL36HP230V1R32AO	7K+9K+9K	7,000	9,000	9,000			8,000	9,000	9,000		
MUL36HP230V1R32AO	7K+9K+12K	7,000	9,000	12,000			8,000	9,000	12,000		
MUL36HP230V1R32AO	7K+9K+18K	7,000	9,000	18,000			8,000	9,000	18,000		
MUL36HP230V1R32AO	7K+9K+24K	6,300	8,100	21,600			6,300	8,100	21,600		
MUL36HP230V1R32AO	7K+12K+12K	7,000	12,000	12,000			7,000	12,000	12,000		
MUL36HP230V1R32AO	7K+12K+18K	6,811	11,676	17,514			6,811	11,676	17,514		
MUL36HP230V1R32AO	7K+12K+24K	5,860	10,047	20,093			5,860	10,047	20,093		

Outdoor Unit & Possible Indoor Unit Combinations with AHRI Certified Performance

*You may substitute the 9K unit with a 5K or 7K High Wall unit, find complete capacity information in the extended ratings chart.

MODEL NUMBER	POSSIBLE COMBINATIONS*	COOLING CAPACITY (Btu/h)					HEATING CAPACITY (Btu/h)				
		ZONE1	ZONE2	ZONE3	ZONE4	ZONE5	ZONE1	ZONE2	ZONE3	ZONE4	ZONE5
MUL36HP230V1R32AO	7K+18K+18K	5,860	15,070	15,070			5,860	15,070	15,070		
MUL36HP230V1R32AO	7K+18K+24K	5,143	13,224	17,633			5,143	13,224	17,633		
MUL36HP230V1R32AO	9K+9K+9K	9,000	9,000	9,000			9,000	9,000	9,000		
MUL36HP230V1R32AO	9K+9K+12K	9,000	9,000	12,000			9,000	9,000	12,000		
MUL36HP230V1R32AO	9K+9K+18K	9,000	9,000	18,000			9,000	9,000	18,000		
MUL36HP230V1R32AO	9K+9K+24K	7,714	7,714	20,571			7,714	7,714	20,571		
MUL36HP230V1R32AO	9K+12K+12K	9,000	12,000	12,000			9,000	12,000	12,000		
MUL36HP230V1R32AO	9K+12K+18K	8,308	11,077	16,615			8,308	11,077	16,615		
MUL36HP230V1R32AO	9K+12K+24K	7,200	9,600	19,200			7,200	9,600	19,200		
MUL36HP230V1R32AO	9K+18K+18K	7,200	14,400	14,400			7,200	14,400	14,400		
MUL36HP230V1R32AO	9K+18K+24K	6,353	12,706	16,941			6,353	12,706	16,941		
MUL36HP230V1R32AO	12K+12K+12K	12,000	12,000	12,000			12,000	12,000	12,000		
MUL36HP230V1R32AO	12K+12K+18K	10,286	10,286	15,429			10,286	10,286	15,429		
MUL36HP230V1R32AO	12K+12K+24K	9,000	9,000	18,000			9,000	9,000	18,000		
MUL36HP230V1R32AO	12K+18K+18K	9,000	13,500	13,500			9,000	13,500	13,500		
MUL36HP230V1R32AO	12K+18K+24K	8,000	12,000	16,000			8,000	12,000	16,000		
MUL36HP230V1R32AO	18K+18K+18K	12,000	12,000	12,000			12,000	12,000	12,000		
MUL36HP230V1R32AO	5K+5K+5K+5K	5,000	5,000	5,000	5,000		6,000	6,000	6,000	6,000	
MUL36HP230V1R32AO	7K+7K+7K+7K	7,000	7,000	7,000	7,000		8,000	8,000	8,000	8,000	
MUL36HP230V1R32AO	5K+5K+5K+7K	5,000	5,000	5,000	7,000		6,000	6,000	6,000	8,000	
MUL36HP230V1R32AO	5K+5K+7K+7K	5,000	5,000	7,000	7,000		6,000	6,000	8,000	8,000	
MUL36HP230V1R32AO	5K+7K+7K+7K	5,000	7,000	7,000	7,000		6,000	8,000	8,000	8,000	
MUL36HP230V1R32AO	5K+5K+5K+9K	5,000	5,000	5,000	9,000		6,000	6,000	6,000	9,000	
MUL36HP230V1R32AO	5K+5K+5K+12K	5,000	5,000	5,000	12,000		6,000	6,000	6,000	12,000	
MUL36HP230V1R32AO	5K+5K+5K+18K	5,000	5,000	5,000	18,000		6,000	6,000	6,000	18,000	
MUL36HP230V1R32AO	5K+5K+5K+24K	4,615	4,615	4,615	22,154		4,615	4,615	4,615	22,154	
MUL36HP230V1R32AO	5K+5K+7K+9K	5,000	5,000	7,000	9,000		6,000	6,000	8,000	9,000	
MUL36HP230V1R32AO	5K+5K+7K+12K	5,000	5,000	7,000	12,000		6,000	6,000	7,000	12,000	
MUL36HP230V1R32AO	5K+5K+7K+18K	5,000	5,000	7,000	18,000		5,500	5,500	7,000	18,000	
MUL36HP230V1R32AO	5K+5K+7K+24K	4,390	4,390	6,146	21,073		4,390	4,390	6,146	21,073	
MUL36HP230V1R32AO	5K+5K+9K+9K	5,000	5,000	9,000	9,000		5,000	5,000	9,000	9,000	
MUL36HP230V1R32AO	5K+5K+9K+12K	5,000	5,000	9,000	12,000		5,000	5,000	9,000	12,000	
MUL36HP230V1R32AO	5K+5K+9K+18K	4,865	4,865	8,757	17,514		4,865	4,865	8,757	17,514	
MUL36HP230V1R32AO	5K+5K+9K+24K	4,186	4,186	7,535	20,093		4,186	4,186	7,535	20,093	
MUL36HP230V1R32AO	5K+5K+12K+12K	5,000	5,000	12,000	12,000		5,000	5,000	12,000	12,000	
MUL36HP230V1R32AO	5K+5K+12K+18K	4,500	4,500	10,800	16,200		4,500	4,500	10,800	16,200	
MUL36HP230V1R32AO	5K+5K+12K+24K	3,913	3,913	9,391	18,783		3,913	3,913	9,391	18,783	
MUL36HP230V1R32AO	5K+5K+18K+18K	3,913	3,913	14,087	14,087		3,913	3,913	14,087	14,087	
MUL36HP230V1R32AO	5K+5K+18K+24K	3,462	3,462	12,462	16,615		3,462	3,462	12,462	16,615	
MUL36HP230V1R32AO	5K+7K+7K+9K	5,000	7,000	7,000	9,000		5,000	7,000	7,000	9,000	
MUL36HP230V1R32AO	5K+7K+7K+12K	5,000	7,000	7,000	12,000		5,000	7,000	7,000	12,000	
MUL36HP230V1R32AO	5K+7K+7K+18K	4,865	6,811	6,811	17,514		4,865	6,811	6,811	17,514	
MUL36HP230V1R32AO	5K+7K+7K+24K	4,186	5,860	5,860	20,093		4,186	5,860	5,860	20,093	
MUL36HP230V1R32AO	5K+7K+9K+9K	5,000	7,000	9,000	9,000		5,000	7,000	9,000	9,000	
MUL36HP230V1R32AO	5K+7K+9K+12K	5,000	7,000	9,000	12,000		5,000	7,000	9,000	12,000	
MUL36HP230V1R32AO	5K+7K+9K+18K	4,615	6,462	8,308	16,615		4,615	6,462	8,308	16,615	
MUL36HP230V1R32AO	5K+7K+9K+24K	4,000	5,600	7,200	19,200		4,000	5,600	7,200	19,200	
MUL36HP230V1R32AO	5K+7K+12K+12K	5,000	7,000	12,000	12,000		5,000	7,000	12,000	12,000	
MUL36HP230V1R32AO	5K+7K+12K+18K	4,286	6,000	10,286	15,429		4,286	6,000	10,286	15,429	
MUL36HP230V1R32AO	5K+7K+12K+24K	3,750	5,250	9,000	18,000		3,750	5,250	9,000	18,000	
MUL36HP230V1R32AO	5K+7K+18K+18K	3,750	5,250	13,500	13,500		3,750	5,250	13,500	13,500	
MUL36HP230V1R32AO	5K+7K+18K+24K	3,333	4,667	12,000	16,000		3,333	4,667	12,000	16,000	

MODEL NUMBER	POSSIBLE COMBINATIONS*	COOLING CAPACITY (Btu/h)					HEATING CAPACITY (Btu/h)				
		ZONE1	ZONE2	ZONE3	ZONE4	ZONE5	ZONE1	ZONE2	ZONE3	ZONE4	ZONE5
MUL36HP230V1R32AO	5K+9K+9K+9K	5,000	9,000	9,000	9,000		5,000	9,000	9,000	9,000	
MUL36HP230V1R32AO	5K+9K+9K+12K	5,000	9,000	9,000	12,000		5,000	9,000	9,000	12,000	
MUL36HP230V1R32AO	5K+9K+9K+18K	4,390	7,902	7,902	15,805		4,390	7,902	7,902	15,805	
MUL36HP230V1R32AO	5K+9K+9K+24K	3,830	6,894	6,894	18,383		3,830	6,894	6,894	18,383	
MUL36HP230V1R32AO	5K+9K+12K+12K	4,737	8,526	11,368	11,368		4,737	8,526	11,368	11,368	
MUL36HP230V1R32AO	5K+9K+12K+18K	4,091	7,364	9,818	14,727		4,091	7,364	9,818	14,727	
MUL36HP230V1R32AO	5K+9K+12K+24K	3,600	6,480	8,640	17,280		3,600	6,480	8,640	17,280	
MUL36HP230V1R32AO	5K+9K+18K+18K	3,600	6,480	12,960	12,960		3,600	6,480	12,960	12,960	
MUL36HP230V1R32AO	5K+12K+12K+12K	4,390	10,537	10,537	10,537		4,390	10,537	10,537	10,537	
MUL36HP230V1R32AO	5K+12K+12K+18K	3,830	9,191	9,191	13,787		3,830	9,191	9,191	13,787	
MUL36HP230V1R32AO	5K+12K+12K+24K	3,396	8,151	8,151	16,302		3,396	8,151	8,151	16,302	
MUL36HP230V1R32AO	5K+12K+18K+18K	3,396	8,151	12,226	12,226		3,396	8,151	12,226	12,226	
MUL36HP230V1R32AO	7K+7K+7K+9K	7,000	7,000	7,000	9,000		7,000	7,000	7,000	9,000	
MUL36HP230V1R32AO	7K+7K+7K+12K	7,000	7,000	7,000	12,000		7,000	7,000	7,000	12,000	
MUL36HP230V1R32AO	7K+7K+7K+18K	6,462	6,462	6,462	16,615		6,462	6,462	6,462	16,615	
MUL36HP230V1R32AO	7K+7K+7K+24K	5,600	5,600	5,600	19,200		5,600	5,600	5,600	19,200	
MUL36HP230V1R32AO	7K+7K+9K+9K	7,000	7,000	9,000	9,000		7,000	7,000	9,000	9,000	
MUL36HP230V1R32AO	7K+7K+9K+12K	7,000	7,000	9,000	12,000		7,000	7,000	9,000	12,000	
MUL36HP230V1R32AO	7K+7K+9K+18K	6,146	6,146	7,902	15,805		6,146	6,146	7,902	15,805	
MUL36HP230V1R32AO	7K+7K+9K+24K	5,362	5,362	6,894	18,383		5,362	5,362	6,894	18,383	
MUL36HP230V1R32AO	7K+7K+12K+12K	6,632	6,632	11,368	11,368		6,632	6,632	11,368	11,368	
MUL36HP230V1R32AO	7K+7K+12K+18K	5,727	5,727	9,818	14,727		5,727	5,727	9,818	14,727	
MUL36HP230V1R32AO	7K+7K+12K+24K	5,040	5,040	8,640	17,280		5,040	5,040	8,640	17,280	
MUL36HP230V1R32AO	7K+7K+18K+18K	5,040	5,040	12,960	12,960		5,040	5,040	12,960	12,960	
MUL36HP230V1R32AO	7K+9K+9K+9K	7,000	9,000	9,000	9,000		7,000	9,000	9,000	9,000	
MUL36HP230V1R32AO	7K+9K+9K+12K	6,811	8,757	8,757	11,676		6,811	8,757	8,757	11,676	
MUL36HP230V1R32AO	7K+9K+9K+18K	5,860	7,535	7,535	15,070		5,860	7,535	7,535	15,070	
MUL36HP230V1R32AO	7K+9K+9K+24K	5,143	6,612	6,612	17,633		5,143	6,612	6,612	17,633	
MUL36HP230V1R32AO	7K+9K+12K+12K	6,300	8,100	10,800	10,800		6,300	8,100	10,800	10,800	
MUL36HP230V1R32AO	7K+9K+12K+18K	5,478	7,043	9,391	14,087		5,478	7,043	9,391	14,087	
MUL36HP230V1R32AO	7K+9K+12K+24K	4,846	6,231	8,308	16,615		4,846	6,231	8,308	16,615	
MUL36HP230V1R32AO	7K+12K+12K+12K	5,860	10,047	10,047	10,047		5,860	10,047	10,047	10,047	
MUL36HP230V1R32AO	7K+12K+12K+18K	5,143	8,816	8,816	13,224		5,143	8,816	8,816	13,224	
MUL36HP230V1R32AO	9K+9K+9K+9K	9,000	9,000	9,000	9,000		9,000	9,000	9,000	9,000	
MUL36HP230V1R32AO	9K+9K+9K+12K	8,308	8,308	8,308	11,077		8,308	8,308	8,308	11,077	
MUL36HP230V1R32AO	9K+9K+9K+18K	7,200	7,200	7,200	14,400		7,200	7,200	7,200	14,400	
MUL36HP230V1R32AO	9K+9K+9K+24K	6,353	6,353	6,353	16,941		6,353	6,353	6,353	16,941	
MUL36HP230V1R32AO	9K+9K+12K+12K	7,714	7,714	10,286	10,286		7,714	7,714	10,286	10,286	
MUL36HP230V1R32AO	9K+9K+12K+18K	6,750	6,750	9,000	13,500		6,750	6,750	9,000	13,500	
MUL36HP230V1R32AO	9K+9K+12K+24K	6,000	6,000	8,000	16,000		6,000	6,000	8,000	16,000	
MUL36HP230V1R32AO	9K+9K+18K+18K	6,000	6,000	12,000	12,000		6,000	6,000	12,000	12,000	
MUL36HP230V1R32AO	9K+12K+12K+12K	7,200	9,600	9,600	9,600		7,200	9,600	9,600	9,600	
MUL36HP230V1R32AO	9K+12K+12K+18K	6,353	8,471	8,471	12,706		6,353	8,471	8,471	12,706	
MUL36HP230V1R32AO	12K+12K+12K+12K	9,000	9,000	9,000	9,000		9,000	9,000	9,000	9,000	
MUL36HP230V1R32AO	12K+12K+12K+18K	8,000	8,000	8,000	12,000		8,000	8,000	8,000	12,000	

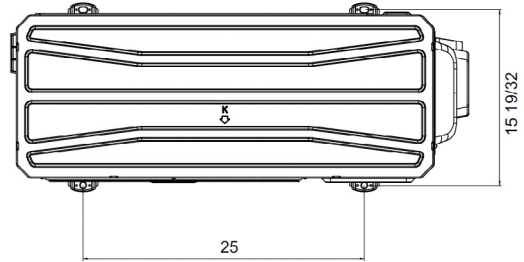
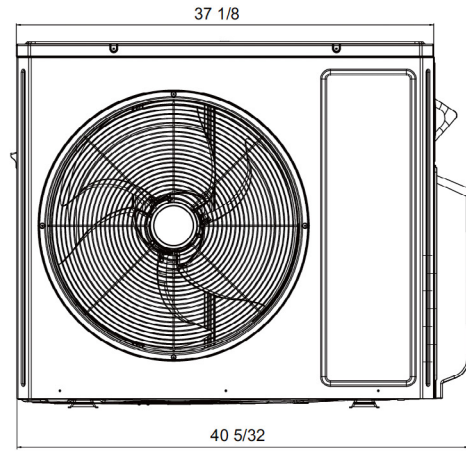
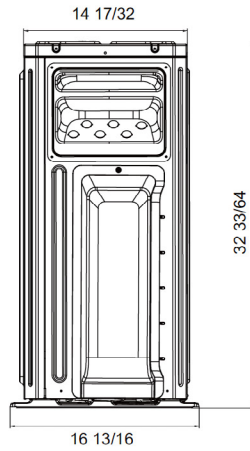
DIMENSIONS

OUTDOOR UNIT

Unit: inch

MUL36HP230V1R32AO

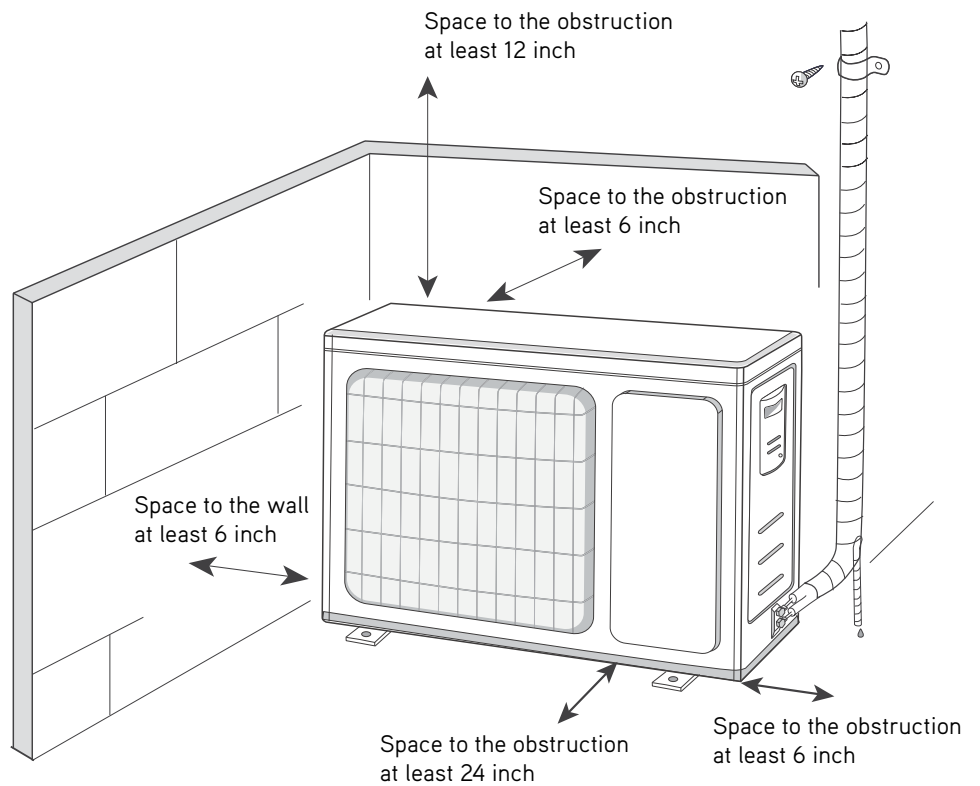
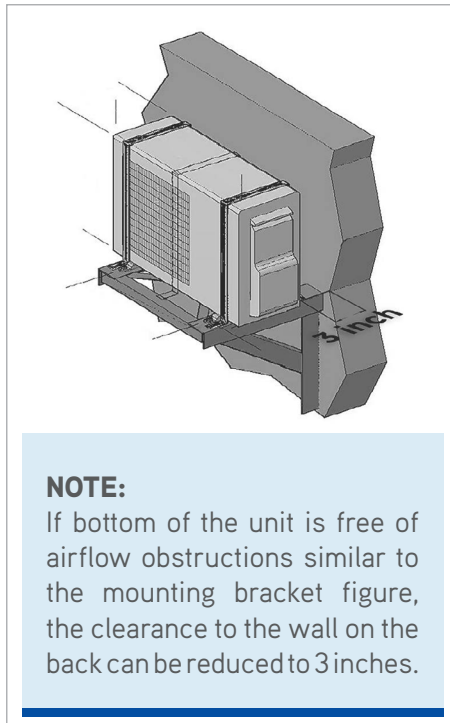
DIMENSIONS



CLEARANCES

OUTDOOR UNIT

Minimum clearance



Specifications are subject to change without notice. Manufacturer reserves the right to discontinue or modify specifications or designs without notice or without incurring obligations. All Rights reserved.

GRECOMFORT.COM/SYSTEM-DOCUMENTATION