

## SUBMITTAL DATA

MUL42HP230V1R32AO  
42000 BTU/H Multi-Zone Heat Pump System

Job Name	Location	Date
Purchaser	Engineer	
Submitted to	For	
Unit Designation	Schedule No.	



MUL42HP230V1R32AO

### GENERAL FEATURES

- AHRI Certificate: [215218917 \(Non-Ducted\)](#)
- [215218922 \(Ducted\)](#)
- [215218927 \(Mixed\)](#)
- High Efficiency DC Inverter Technology
- Compact and Quiet Design
- Auto Restart on Power Outages
- Multi-point Diagnostics
- Wi-Fi Included (Factory Installed)
- Low Ambient Cooling down to -22°F (Range -22°F to 118°F)
- Low Ambient Heating down to -22°F (Range -22°F to 75°F)
- Coil (Indoor and Outdoor) Copper Tube / Aluminum Fin
- Blue Colored Fin - 500 Hrs Salt Spray Tested

# MULTI-ZONE COMPATIBILITY CHART

## WALL MOUNT OPTIONS

	MULTI R32							
	MUL18HP230V1R32AO	MUL19HP230V1R32AO	MUL24HP230V1R32AO	MUL30HP230V1R32AO	MUL36HP230V1R32AO	MUL42HP230V1R32AO	MUL48HP230V1R32AO	MUL60HP230V1R32AO
<b>LIVO R32</b>								
<b>System Model no.</b>								
LIV05HP230V1R32AH	•	•	•	•	•	•	•	•
LIV07HP230V1R32AH	•	•	•	•	•	•	•	•
LIV09HP230V1R32AH	•	•	•	•	•	•	•	•
LIV12HP230V1R32AH	•	•	•	•	•	•	•	•
LIV18HP230V1R32AH			•	•	•	•	•	•
LIV24HP230V1R32AH				•	•	•	•	•
LIV30HP230V1R32AH								•
LIV36HP230V1R32AH								•
<b>ZENO R32</b>								
<b>System Model no.</b>								
WZEN09HPJ132AH	•	•						
WZEN12HPJ132AH	•	•						
<b>VIREO R32</b>								
<b>System Model no.</b>								
VIR09HP230V1R32AH	•	•	•	•	•	•	•	•
VIR12HP230V1R32AH	•	•	•	•	•	•	•	•
VIR18HP230V1R32AH			•	•	•	•	•	•
VIR24HP230V1R32AH				•	•	•	•	•
<b>ENVO R32</b>								
<b>System Model no.</b>								
ENV09HP230V1R32AH	•	•	•	•	•	•	•	•
ENV12HP230V1R32AH	•	•	•	•	•	•	•	•
ENV18HP230V1R32AH			•	•	•	•	•	•
ENV24HP230V1R32AH				•	•	•	•	•
<b>SAPPHIRE R32</b>								
<b>System Model no.</b>								
SAP09HP230V1R32AH	•	•	•	•	•	•	•	•
SAP12HP230V1R32AH	•	•	•	•	•	•	•	•
SAP18HP230V1R32AH			•	•	•	•	•	•
SAP24HP230V1R32AH				•	•	•	•	•

NOTE: R32 Indoor units are only compatible with R32 Outdoor units. Keep in mind, line set is always sized by the indoor unit valve diameter.

## ADDITIONAL INDOOR UNIT OPTIONS

	MULTI R32							
	MUL18HP230V1R32AO	MUL19HP230V1R32AO	MUL24HP230V1R32AO	MUL30HP230V1R32AO	MUL36HP230V1R32AO	MUL42HP230V1R32AO	MUL48HP230V1R32AO	MUL60HP230V1R32AO
<b>ONE WAY CASSETTE</b>								
<b>System Model no.</b>								
OWC09HP230V1R32AH	•	•	•	•	•	•	•	•
OWC12HP230V1R32AH	•	•	•	•	•	•	•	•
OWC18HP230V1R32AH			•	•	•	•	•	•
OWC24HP230V1R32AH				•	•	•	•	•
<b>360° CEILING CASSETTE</b>								
<b>System Model no.</b>								
CAS09HP230V1R32AH	•	•	•	•	•	•	•	•
CAS12HP230V1R32AH	•	•	•	•	•	•	•	•
CAS18HP230V1R32AH			•	•	•	•	•	•
CAS24HP230V1R32AH				•	•	•	•	•
CAS30HP230V1R32AH								•
CAS36HP230V1R32AH								•
<b>SLIM DUCT</b>								
<b>System Model no.</b>								
DUC09HP230V1R32AH	•	•	•	•	•	•	•	•
DUC12HP230V1R32AH	•	•	•	•	•	•	•	•
DUC18HP230V1R32AH			•	•	•	•	•	•
DUC24HP230V1R32AH				•	•	•	•	•
DUC30HP230V1R32AH								•
DUC36HP230V1R32AH								•
<b>FLOOR/CEILING</b>								
<b>System Model no.</b>								
FLR09HP230V1R32AH	•	•	•	•	•	•	•	•
FLR12HP230V1R32AH	•	•	•	•	•	•	•	•
FLR18HP230V1R32AH			•	•	•	•	•	•
FLR24HP230V1R32AH				•	•	•	•	•
FLR30HP230V1R32AH								•
FLR36HP230V1R32AH								•
<b>MINI CONSOLE</b>								
<b>System Model no.</b>								
CON09HP230V1R32AH	•	•	•	•	•	•	•	•
CON12HP230V1R32AH	•	•	•	•	•	•	•	•
CON18HP230V1R32AH			•	•	•	•	•	•
<b>AIR HANDLER</b>								
<b>System Model no.</b>								
VAH12HP230V1R32AH	•	•	•	•	•	•	•	•
VAH18HP230V1R32AH			•	•	•	•	•	•
VAH24HP230V1R32AH				•	•	•	•	•

## SPECIFICATIONS, FEATURES & FUNCTION SUMMARY

SYSTEM TYPE		HEAT PUMP	
Outdoor Model		MUL42HP230V1R32AO	
Number of Zones		2 - 5	
SYSTEM PERFORMANCE (Non-Ducted Indoor Units)			
Cooling Capacity	Min - Max	Btu/h	8,870 - 44,300
	Rated Capacity @95°F	Btu/h	42,000
Heating Capacity	Min - Max	Btu/h	8,870 - 54,592
	Rated Capacity @47°F	Btu/h	42,000
	Rated Capacity @17°F	Btu/h	40,000
	Rated Capacity @5°F	Btu/h	37,800
SEER2		21	
EER2		13.0	
HSPF2		10.0	
COP @5°F		2.10	
SYSTEM PERFORMANCE (Ducted Indoor Units)			
Cooling Capacity	Min - Max	Btu/h	8,870 - 44,300
	Rated Capacity @95°F	Btu/h	42,000
Heating Capacity	Min - Max	Btu/h	8,870 - 54,592
	Rated Capacity @47°F	Btu/h	42,000
	Rated Capacity @17°F	Btu/h	40,000
	Rated Capacity @5°F	Btu/h	36,000
SEER2		18.0	
EER2		12.0	
HSPF2		8.1	
COP @5°F		1.90	
SYSTEM PERFORMANCE (Mixed Ducted and Non-Ducted Indoor Units)			
Cooling Capacity	Min - Max	Btu/h	8,870 - 44,300
	Rated Capacity @95°F	Btu/h	42,000
Heating Capacity	Min - Max	Btu/h	8,870 - 54,592
	Rated Capacity @47°F	Btu/h	42,000
	Rated Capacity @17°F	Btu/h	40,000
	Rated Capacity @5°F	Btu/h	37,000
SEER2		19.0	
EER2		12.2	
HSPF2		9.0	
COP @5°F		1.84	
OUTDOOR UNIT		MUL42HP230V1R32AO	
Cooling Temperature Range	°F	-22 - 118	
Heating Temperature Range	°F	-22 - 75	
Refrigerant Type		R32	
Compressor Type		GREE G-20 / Double Cylinder / 1 - STAGE INVERTER	
Sound Pressure Level	dB(A)	59	
External Dimensions (W x H x D)	in	40-10/64 x 32-33/64 x 16-52/64	
Package Dimension (W x H x D)	in	43-1/32 x 34-27/32 x 19-9/16	
Net Weight	lbs	174.2	
Gross Weight	lbs	189.6	
REFRIGERANT PIPING			
Refrigerant Charge - R32	oz	95.256	
Compressor Type		GREE G-20 / Double Cylinder / 1 - STAGE INVERTER	
Additional Charge	oz/ft	0.2	
Port Size (Liquid - Gas)	Port A (in)	1/4 - 3/8	
	Port B (in)	1/4 - 3/8	
	Port C (in)	1/4 - 3/8	
	Port D (in)	1/4 - 3/8	
	Port E (in)	1/4 - 3/8	
Pre-Charge Length	ft	164	
Pipe Length (Min - Max)	ft	10 - 328	
Pipe Length to furthest Indoor Unit	ft	82	
Max. Pipe Elevation	ft	82	
ELECTRICAL			
Power Supply		208-230V / 1Ph / 60Hz	
Voltage Range (Min - Max)	VAC	187 - 253	
Rated Current - Cooling	A	21.7	
Rated Current - Heating	A	22.6	
MOCP	A	35	
MCA	A	30	
Main Power Wire Size	AWG	Per Local Code	
Interconnecting Wire Size	AWG	14 / 4	
FEATURES & FUNCTIONS SUMMARY			
Inverter Type	G20		
Ultra Low Frequency Torque Control	Yes		
Compressor Type - Inverter	Yes		
Basepan With Electric Heater	Yes		
Indoor & Outdoor Fin Coating (Blue Fin)	Yes		
Intelligent Defrosting	Yes		
Intelligent Preheating	Yes		
Low Voltage Startup	Yes		
Memory/Power Failure Recovery	Yes		
Self Diagnosis	Yes		

## ALLOWABLE COMBINATIONS CAPACITIES

MODEL NUMBER	POSSIBLE COMBINATIONS*	COOLING CAPACITY (Btu/h)					HEATING CAPACITY (Btu/h)				
		ZONE1	ZONE2	ZONE3	ZONE4	ZONE5	ZONE1	ZONE2	ZONE3	ZONE4	ZONE5
MUL42HP230V1R32AO	5K+18K	5,000	18,000				5,000	18,000			
MUL42HP230V1R32AO	5K+24K	5,000	24,000				5,000	24,000			
MUL42HP230V1R32AO	7K+18K	7,000	18,000				7,000	18,000			
MUL42HP230V1R32AO	7K+24K	7,000	24,000				7,000	24,000			
MUL42HP230V1R32AO	9K+12K	9,000	12,000				9,000	12,000			
MUL42HP230V1R32AO	9K+18K	9,000	18,000				9,000	18,000			
MUL42HP230V1R32AO	9K+24K	9,000	24,000				9,000	24,000			
MUL42HP230V1R32AO	12K+12K	12,000	12,000				12,000	12,000			
MUL42HP230V1R32AO	12K+18K	12,000	18,000				12,000	18,000			
MUL42HP230V1R32AO	12K+24K	12,000	24,000				12,000	24,000			
MUL42HP230V1R32AO	18K+18K	18,000	18,000				18,000	18,000			
MUL42HP230V1R32AO	18K+24K	18,000	24,000				18,000	24,000			
MUL42HP230V1R32AO	24K+24K	21,000	21,000				21,000	21,000			
MUL42HP230V1R32AO	7K+7K+7K	7,000	7,000	7,000			8,000	8,000	8,000		
MUL42HP230V1R32AO	5K+5K+12K	5,000	5,000	12,000			5,000	5,000	12,000		
MUL42HP230V1R32AO	5K+5K+18K	5,000	5,000	18,000			5,000	5,000	18,000		
MUL42HP230V1R32AO	5K+5K+24K	5,000	5,000	24,000			5,000	5,000	24,000		
MUL42HP230V1R32AO	5K+7K+9K	5,000	7,000	9,000			5,000	7,000	9,000		
MUL42HP230V1R32AO	5K+7K+12K	5,000	7,000	12,000			5,000	7,000	12,000		
MUL42HP230V1R32AO	5K+7K+18K	5,000	7,000	18,000			5,000	7,000	18,000		
MUL42HP230V1R32AO	5K+7K+24K	5,000	7,000	24,000			5,000	7,000	24,000		
MUL42HP230V1R32AO	5K+9K+9K	5,000	9,000	9,000			5,000	9,000	9,000		
MUL42HP230V1R32AO	5K+9K+12K	5,000	9,000	12,000			5,000	9,000	12,000		
MUL42HP230V1R32AO	5K+9K+18K	5,000	9,000	18,000			5,000	9,000	18,000		
MUL42HP230V1R32AO	5K+9K+24K	5,000	9,000	24,000			5,000	9,000	24,000		
MUL42HP230V1R32AO	5K+12K+12K	5,000	12,000	12,000			5,000	12,000	12,000		
MUL42HP230V1R32AO	5K+12K+18K	5,000	12,000	18,000			5,000	12,000	18,000		
MUL42HP230V1R32AO	5K+12K+24K	5,000	12,000	24,000			5,000	12,000	24,000		
MUL42HP230V1R32AO	5K+18K+18K	5,000	18,000	18,000			5,000	18,000	18,000		
MUL42HP230V1R32AO	5K+18K+24K	4,468	16,085	21,447			4,468	16,085	21,447		
MUL42HP230V1R32AO	5K+24K+24K	3,962	19,019	19,019			3,962	19,019	19,019		
MUL42HP230V1R32AO	7K+7K+9K	7,000	7,000	9,000			7,000	7,000	9,000		
MUL42HP230V1R32AO	7K+7K+12K	7,000	7,000	12,000			7,000	7,000	12,000		
MUL42HP230V1R32AO	7K+7K+18K	7,000	7,000	18,000			7,000	7,000	18,000		
MUL42HP230V1R32AO	7K+7K+24K	7,000	7,000	24,000			7,000	7,000	24,000		
MUL42HP230V1R32AO	7K+9K+9K	7,000	9,000	9,000			7,000	9,000	9,000		
MUL42HP230V1R32AO	7K+9K+12K	7,000	9,000	12,000			7,000	9,000	12,000		
MUL42HP230V1R32AO	7K+9K+18K	7,000	9,000	18,000			7,000	9,000	18,000		
MUL42HP230V1R32AO	7K+9K+24K	7,000	9,000	24,000			7,000	9,000	24,000		
MUL42HP230V1R32AO	7K+12K+12K	7,000	12,000	12,000			7,000	12,000	12,000		

Outdoor Unit & Possible Indoor Unit Combinations with AHRI Certified Performance

\*You may substitute the 9K unit with a 5K or 7K High Wall unit, find complete capacity information in the extended ratings chart.

MODEL NUMBER	POSSIBLE COMBINATIONS*	COOLING CAPACITY (Btu/h)					HEATING CAPACITY (Btu/h)				
		ZONE1	ZONE2	ZONE3	ZONE4	ZONE5	ZONE1	ZONE2	ZONE3	ZONE4	ZONE5
MUL42HP230V1R32AO	7K+12K+18K	7,000	12,000	18,000			7,000	12,000	18,000		
MUL42HP230V1R32AO	7K+12K+24K	6,837	11,721	23,442			6,837	11,721	23,442		
MUL42HP230V1R32AO	7K+18K+18K	6,837	17,581	17,581			6,837	17,581	17,581		
MUL42HP230V1R32AO	7K+18K+24K	6,000	15,429	20,571			6,000	15,429	20,571		
MUL42HP230V1R32AO	9K+9K+9K	9,000	9,000	9,000			9,000	9,000	9,000		
MUL42HP230V1R32AO	9K+9K+12K	9,000	9,000	12,000			9,000	9,000	12,000		
MUL42HP230V1R32AO	9K+9K+18K	9,000	9,000	18,000			9,000	9,000	18,000		
MUL42HP230V1R32AO	9K+9K+24K	9,000	9,000	24,000			9,000	9,000	24,000		
MUL42HP230V1R32AO	9K+12K+12K	9,000	12,000	12,000			9,000	12,000	12,000		
MUL42HP230V1R32AO	9K+12K+18K	9,000	12,000	18,000			9,000	12,000	18,000		
MUL42HP230V1R32AO	9K+12K+24K	8,400	11,200	22,400			8,400	11,200	22,400		
MUL42HP230V1R32AO	9K+18K+18K	8,400	16,800	16,800			8,400	16,800	16,800		
MUL42HP230V1R32AO	9K+18K+24K	7,412	14,824	19,765			7,412	14,824	19,765		
MUL42HP230V1R32AO	9K+24K+24K	6,632	17,684	17,684			6,632	17,684	17,684		
MUL42HP230V1R32AO	12K+12K+12K	12,000	12,000	12,000			12,000	12,000	12,000		
MUL42HP230V1R32AO	12K+12K+18K	12,000	12,000	18,000			12,000	12,000	18,000		
MUL42HP230V1R32AO	12K+12K+24K	10,500	10,500	21,000			10,500	10,500	21,000		
MUL42HP230V1R32AO	12K+18K+18K	10,500	15,750	15,750			10,500	15,750	15,750		
MUL42HP230V1R32AO	12K+18K+24K	9,333	14,000	18,667			9,333	14,000	18,667		
MUL42HP230V1R32AO	12K+24K+24K	8,400	16,800	16,800			8,400	16,800	16,800		
MUL42HP230V1R32AO	18K+18K+18K	14,000	14,000	14,000			14,000	14,000	14,000		
MUL42HP230V1R32AO	18K+18K+24K	12,600	12,600	16,800			12,600	12,600	16,800		
MUL42HP230V1R32AO	7K+7K+7K+7K	7,000	7,000	7,000	7,000		8,000	8,000	8,000	8,000	
MUL42HP230V1R32AO	5K+5K+5K+7K	5,000	5,000	5,000	7,000		6,000	6,000	6,000	8,000	
MUL42HP230V1R32AO	5K+5K+7K+7K	5,000	5,000	7,000	7,000		6,000	6,000	8,000	8,000	
MUL42HP230V1R32AO	5K+7K+7K+7K	5,000	7,000	7,000	7,000		6,000	8,000	8,000	8,000	
MUL42HP230V1R32AO	5K+5K+5K+9K	5,000	5,000	5,000	9,000		5,000	5,000	5,000	9,000	
MUL42HP230V1R32AO	5K+5K+5K+12K	5,000	5,000	5,000	12,000		5,000	5,000	5,000	12,000	
MUL42HP230V1R32AO	5K+5K+5K+18K	5,000	5,000	5,000	18,000		5,000	5,000	5,000	18,000	
MUL42HP230V1R32AO	5K+5K+5K+24K	5,000	5,000	5,000	24,000		5,000	5,000	5,000	24,000	
MUL42HP230V1R32AO	5K+5K+7K+9K	5,000	5,000	7,000	9,000		5,000	5,000	7,000	9,000	
MUL42HP230V1R32AO	5K+5K+7K+12K	5,000	5,000	7,000	12,000		5,000	5,000	7,000	12,000	
MUL42HP230V1R32AO	5K+5K+7K+18K	5,000	5,000	7,000	18,000		5,000	5,000	7,000	18,000	
MUL42HP230V1R32AO	5K+5K+7K+24K	5,000	5,000	7,000	24,000		5,000	5,000	7,000	24,000	
MUL42HP230V1R32AO	5K+5K+9K+9K	5,000	5,000	9,000	9,000		5,000	5,000	9,000	9,000	
MUL42HP230V1R32AO	5K+5K+9K+12K	5,000	5,000	9,000	12,000		5,000	5,000	9,000	12,000	
MUL42HP230V1R32AO	5K+5K+9K+18K	5,000	5,000	9,000	18,000		5,000	5,000	9,000	18,000	
MUL42HP230V1R32AO	5K+5K+9K+24K	4,884	4,884	8,791	23,442		4,884	4,884	8,791	23,442	
MUL42HP230V1R32AO	5K+5K+12K+12K	5,000	5,000	12,000	12,000		5,000	5,000	12,000	12,000	
MUL42HP230V1R32AO	5K+5K+12K+18K	5,000	5,000	12,000	18,000		5,000	5,000	12,000	18,000	
MUL42HP230V1R32AO	5K+5K+12K+24K	4,565	4,565	10,957	21,913		4,565	4,565	10,957	21,913	
MUL42HP230V1R32AO	5K+5K+18K+18K	4,565	4,565	16,435	16,435		4,565	4,565	16,435	16,435	

MODEL NUMBER	POSSIBLE COMBINATIONS*	COOLING CAPACITY (Btu/h)					HEATING CAPACITY (Btu/h)				
		ZONE1	ZONE2	ZONE3	ZONE4	ZONE5	ZONE1	ZONE2	ZONE3	ZONE4	ZONE5
MUL42HP230V1R32AO	5K+5K+18K+24K	4,038	4,038	14,538	19,385		4,038	4,038	14,538	19,385	
MUL42HP230V1R32AO	5K+7K+7K+9K	5,000	7,000	7,000	9,000		5,000	7,000	7,000	9,000	
MUL42HP230V1R32AO	5K+7K+7K+12K	5,000	7,000	7,000	12,000		5,000	7,000	7,000	12,000	
MUL42HP230V1R32AO	5K+7K+7K+18K	5,000	7,000	7,000	18,000		5,000	7,000	7,000	18,000	
MUL42HP230V1R32AO	5K+7K+7K+24K	4,884	6,837	6,837	23,442		4,884	6,837	6,837	23,442	
MUL42HP230V1R32AO	5K+7K+9K+9K	5,000	7,000	9,000	9,000		5,000	7,000	9,000	9,000	
MUL42HP230V1R32AO	5K+7K+9K+12K	5,000	7,000	9,000	12,000		5,000	7,000	9,000	12,000	
MUL42HP230V1R32AO	5K+7K+9K+18K	5,000	7,000	9,000	18,000		5,000	7,000	9,000	18,000	
MUL42HP230V1R32AO	5K+7K+9K+24K	4,667	6,533	8,400	22,400		4,667	6,533	8,400	22,400	
MUL42HP230V1R32AO	5K+7K+12K+12K	5,000	7,000	12,000	12,000		5,000	7,000	12,000	12,000	
MUL42HP230V1R32AO	5K+7K+12K+18K	5,000	7,000	12,000	18,000		5,000	7,000	12,000	18,000	
MUL42HP230V1R32AO	5K+7K+12K+24K	4,375	6,125	10,500	21,000		4,375	6,125	10,500	21,000	
MUL42HP230V1R32AO	5K+7K+18K+18K	4,375	6,125	15,750	15,750		4,375	6,125	15,750	15,750	
MUL42HP230V1R32AO	5K+7K+18K+24K	3,889	5,444	14,000	18,667		3,889	5,444	14,000	18,667	
MUL42HP230V1R32AO	5K+9K+9K+9K	5,000	9,000	9,000	9,000		5,000	9,000	9,000	9,000	
MUL42HP230V1R32AO	5K+9K+9K+12K	5,000	9,000	9,000	12,000		5,000	9,000	9,000	12,000	
MUL42HP230V1R32AO	5K+9K+9K+18K	5,000	9,000	9,000	18,000		5,000	9,000	9,000	18,000	
MUL42HP230V1R32AO	5K+9K+9K+24K	4,468	8,043	8,043	21,447		4,468	8,043	8,043	21,447	
MUL42HP230V1R32AO	5K+9K+12K+12K	5,000	9,000	12,000	12,000		5,000	9,000	12,000	12,000	
MUL42HP230V1R32AO	5K+9K+12K+18K	4,773	8,591	11,455	17,182		4,773	8,591	11,455	17,182	
MUL42HP230V1R32AO	5K+9K+12K+24K	4,200	7,560	10,080	20,160		4,200	7,560	10,080	20,160	
MUL42HP230V1R32AO	5K+9K+18K+18K	4,200	7,560	15,120	15,120		4,200	7,560	15,120	15,120	
MUL42HP230V1R32AO	5K+12K+12K+12K	5,000	12,000	12,000	12,000		5,000	12,000	12,000	12,000	
MUL42HP230V1R32AO	5K+12K+12K+18K	4,468	10,723	10,723	16,085		4,468	10,723	10,723	16,085	
MUL42HP230V1R32AO	5K+12K+12K+24K	3,962	9,509	9,509	19,019		3,962	9,509	9,509	19,019	
MUL42HP230V1R32AO	5K+12K+18K+18K	3,962	9,509	14,264	14,264		3,962	9,509	14,264	14,264	
MUL42HP230V1R32AO	7K+7K+7K+9K	7,000	7,000	7,000	9,000		7,000	7,000	7,000	9,000	
MUL42HP230V1R32AO	7K+7K+7K+12K	7,000	7,000	7,000	12,000		7,000	7,000	7,000	12,000	
MUL42HP230V1R32AO	7K+7K+7K+18K	7,000	7,000	7,000	18,000		7,000	7,000	7,000	18,000	
MUL42HP230V1R32AO	7K+7K+7K+24K	6,533	6,533	6,533	22,400		6,533	6,533	6,533	22,400	
MUL42HP230V1R32AO	7K+7K+9K+9K	7,000	7,000	9,000	9,000		7,000	7,000	9,000	9,000	
MUL42HP230V1R32AO	7K+7K+9K+12K	7,000	7,000	9,000	12,000		7,000	7,000	9,000	12,000	
MUL42HP230V1R32AO	7K+7K+9K+18K	7,000	7,000	9,000	18,000		7,000	7,000	9,000	18,000	
MUL42HP230V1R32AO	7K+7K+9K+24K	6,255	6,255	8,043	21,447		6,255	6,255	8,043	21,447	
MUL42HP230V1R32AO	7K+7K+12K+12K	7,000	7,000	12,000	12,000		7,000	7,000	12,000	12,000	
MUL42HP230V1R32AO	7K+7K+12K+18K	6,682	6,682	11,455	17,182		6,682	6,682	11,455	17,182	
MUL42HP230V1R32AO	7K+7K+12K+24K	5,880	5,880	10,080	20,160		5,880	5,880	10,080	20,160	
MUL42HP230V1R32AO	7K+7K+18K+18K	5,880	5,880	15,120	15,120		5,880	5,880	15,120	15,120	
MUL42HP230V1R32AO	7K+9K+9K+9K	7,000	9,000	9,000	9,000		7,000	9,000	9,000	9,000	
MUL42HP230V1R32AO	7K+9K+9K+12K	7,000	9,000	9,000	12,000		7,000	9,000	9,000	12,000	
MUL42HP230V1R32AO	7K+9K+9K+18K	6,837	8,791	8,791	17,581		6,837	8,791	8,791	17,581	
MUL42HP230V1R32AO	7K+9K+9K+24K	6,000	7,714	7,714	20,571		6,000	7,714	7,714	20,571	
MUL42HP230V1R32AO	7K+9K+12K+12K	7,000	9,000	12,000	12,000		7,000	9,000	12,000	12,000	

MODEL NUMBER	POSSIBLE COMBINATIONS*	COOLING CAPACITY (Btu/h)					HEATING CAPACITY (Btu/h)				
		ZONE1	ZONE2	ZONE3	ZONE4	ZONE5	ZONE1	ZONE2	ZONE3	ZONE4	ZONE5
MUL42HP230V1R32AO	7K+9K+12K+18K	6,391	8,217	10,957	16,435		6,391	8,217	10,957	16,435	
MUL42HP230V1R32AO	7K+9K+12K+24K	5,654	7,269	9,692	19,385		5,654	7,269	9,692	19,385	
MUL42HP230V1R32AO	7K+12K+12K+12K	6,837	11,721	11,721	11,721		6,837	11,721	11,721	11,721	
MUL42HP230V1R32AO	7K+12K+12K+18K	6,000	10,286	10,286	15,429		6,000	10,286	10,286	15,429	
MUL42HP230V1R32AO	7K+9K+18K+18K	5,654	7,269	14,538	14,538		5,654	7,269	14,538	14,538	
MUL42HP230V1R32AO	7K+9K+18K+24K	5,069	6,517	13,034	17,379		5,069	6,517	13,034	17,379	
MUL42HP230V1R32AO	7K+9K+24K+24K	4,594	5,906	15,750	15,750		4,594	5,906	15,750	15,750	
MUL42HP230V1R32AO	7K+12K+12K+24K	5,345	9,164	9,164	18,327		5,345	9,164	9,164	18,327	
MUL42HP230V1R32AO	7K+12K+18K+18K	5,345	9,164	13,745	13,745		5,345	9,164	13,745	13,745	
MUL42HP230V1R32AO	7K+12K+18K+24K	4,820	8,262	12,393	16,525		4,820	8,262	12,393	16,525	
MUL42HP230V1R32AO	7K+12K+24K+24K	4,388	7,522	15,045	15,045		4,388	7,522	15,045	15,045	
MUL42HP230V1R32AO	7K+18K+18K+18K	4,820	12,393	12,393	12,393		4,820	12,393	12,393	12,393	
MUL42HP230V1R32AO	7K+18K+18K+24K	4,388	11,284	11,284	15,045		4,388	11,284	11,284	15,045	
MUL42HP230V1R32AO	9K+9K+9K+9K	9,000	9,000	9,000	9,000		9,000	9,000	9,000	9,000	
MUL42HP230V1R32AO	9K+9K+9K+12K	9,000	9,000	9,000	12,000		9,000	9,000	9,000	12,000	
MUL42HP230V1R32AO	9K+9K+9K+18K	8,400	8,400	8,400	16,800		8,400	8,400	8,400	16,800	
MUL42HP230V1R32AO	9K+9K+9K+24K	7,412	7,412	7,412	19,765		7,412	7,412	7,412	19,765	
MUL42HP230V1R32AO	9K+9K+12K+12K	9,000	9,000	12,000	12,000		9,000	9,000	12,000	12,000	
MUL42HP230V1R32AO	9K+9K+12K+18K	7,875	7,875	10,500	15,750		7,875	7,875	10,500	15,750	
MUL42HP230V1R32AO	9K+9K+12K+24K	7,000	7,000	9,333	18,667		7,000	7,000	9,333	18,667	
MUL42HP230V1R32AO	9K+9K+18K+18K	7,000	7,000	14,000	14,000		7,000	7,000	14,000	14,000	
MUL42HP230V1R32AO	9K+9K+18K+24K	6,300	6,300	12,600	16,800		6,300	6,300	12,600	16,800	
MUL42HP230V1R32AO	9K+12K+12K+12K	8,400	11,200	11,200	11,200		8,400	11,200	11,200	11,200	
MUL42HP230V1R32AO	9K+12K+12K+18K	7,412	9,882	9,882	14,824		7,412	9,882	9,882	14,824	
MUL42HP230V1R32AO	9K+12K+12K+24K	6,632	8,842	8,842	17,684		6,632	8,842	8,842	17,684	
MUL42HP230V1R32AO	9K+12K+18K+18K	6,632	8,842	13,263	13,263		6,632	8,842	13,263	13,263	
MUL42HP230V1R32AO	9K+12K+18K+24K	6,000	8,000	12,000	16,000		6,000	8,000	12,000	16,000	
MUL42HP230V1R32AO	9K+18K+18K+18K	6,000	12,000	12,000	12,000		6,000	12,000	12,000	12,000	
MUL42HP230V1R32AO	9K+9K+24K+24K	5,727	5,727	15,273	15,273		5,727	5,727	15,273	15,273	
MUL42HP230V1R32AO	9K+12K+24K+24K	5,478	7,304	14,609	14,609		5,478	7,304	14,609	14,609	
MUL42HP230V1R32AO	12K+12K+12K+24K	8,400	8,400	8,400	16,800		8,400	8,400	8,400	16,800	
MUL42HP230V1R32AO	12K+12K+18K+18K	8,400	8,400	12,600	12,600		8,400	8,400	12,600	12,600	
MUL42HP230V1R32AO	12K+12K+18K+24K	7,636	7,636	11,455	15,273		7,636	7,636	11,455	15,273	
MUL42HP230V1R32AO	12K+12K+24K+24K	7,000	7,000	14,000	14,000		7,000	7,000	14,000	14,000	
MUL42HP230V1R32AO	12K+18K+18K+18K	7,636	11,455	11,455	11,455		7,636	11,455	11,455	11,455	
MUL42HP230V1R32AO	12K+18K+18K+24K	9,692	9,692	9,692	12,923		9,692	9,692	9,692	12,923	
MUL42HP230V1R32AO	18K+18K+18K+18K	10,500	10,500	10,500	10,500		10,500	10,500	10,500	10,500	
MUL42HP230V1R32AO	5K+7K+7K+7K+7K	5,000	7,000	7,000	7,000	7,000	6,000	8,000	8,000	8,000	8,000
MUL42HP230V1R32AO	5K+5K+5K+5K+9K	5,000	5,000	5,000	5,000	9,000	5,000	5,000	5,000	5,000	9,000
MUL42HP230V1R32AO	5K+5K+5K+5K+18K	5,000	5,000	5,000	5,000	18,000	5,000	5,000	5,000	5,000	18,000
MUL42HP230V1R32AO	5K+5K+5K+5K+24K	4,773	4,773	4,773	4,773	22,909	4,773	4,773	4,773	4,773	22,909
MUL42HP230V1R32AO	5K+5K+5K+7K+9K	5,000	5,000	5,000	7,000	9,000	5,000	5,000	5,000	7,000	9,000
MUL42HP230V1R32AO	5K+5K+5K+7K+18K	5,000	5,000	5,000	7,000	18,000	5,000	5,000	5,000	7,000	18,000

MODEL NUMBER	POSSIBLE COMBINATIONS*	COOLING CAPACITY (Btu/h)					HEATING CAPACITY (Btu/h)				
		ZONE1	ZONE2	ZONE3	ZONE4	ZONE5	ZONE1	ZONE2	ZONE3	ZONE4	ZONE5
MUL42HP230V1R32AO	5K+5K+5K+7K+24K	4,565	4,565	4,565	6,391	21,913	4,565	4,565	4,565	6,391	21,913
MUL42HP230V1R32AO	5K+5K+5K+9K+12K	5,000	5,000	5,000	9,000	12,000	5,000	5,000	5,000	9,000	12,000
MUL42HP230V1R32AO	5K+5K+5K+12K+12K	5,000	5,000	5,000	12,000	12,000	5,000	5,000	5,000	12,000	12,000
MUL42HP230V1R32AO	5K+5K+5K+18K+18K	4,118	4,118	4,118	14,824	14,824	4,118	4,118	4,118	14,824	14,824
MUL42HP230V1R32AO	5K+5K+5K+24K+24K	3,333	3,333	3,333	16,000	16,000	3,333	3,333	3,333	16,000	16,000
MUL42HP230V1R32AO	5K+5K+7K+7K+9K	5,000	5,000	7,000	7,000	9,000	5,000	5,000	7,000	7,000	9,000
MUL42HP230V1R32AO	5K+5K+7K+7K+18K	5,000	5,000	7,000	7,000	18,000	5,000	5,000	7,000	7,000	18,000
MUL42HP230V1R32AO	5K+5K+7K+7K+24K	4,375	4,375	6,125	6,125	21,000	4,375	4,375	6,125	6,125	21,000
MUL42HP230V1R32AO	5K+5K+7K+9K+9K	5,000	5,000	7,000	9,000	9,000	5,000	5,000	7,000	9,000	9,000
MUL42HP230V1R32AO	5K+5K+7K+9K+18K	4,773	4,773	6,682	8,591	17,182	4,773	4,773	6,682	8,591	17,182
MUL42HP230V1R32AO	5K+5K+7K+9K+24K	4,200	4,200	5,880	7,560	20,160	4,200	4,200	5,880	7,560	20,160
MUL42HP230V1R32AO	5K+5K+7K+12K+18K	4,468	4,468	6,255	10,723	16,085	4,468	4,468	6,255	10,723	16,085
MUL42HP230V1R32AO	5K+5K+7K+12K+24K	3,962	3,962	5,547	9,509	19,019	3,962	3,962	5,547	9,509	19,019
MUL42HP230V1R32AO	5K+5K+9K+9K+12K	4,565	4,565	8,217	8,217	16,435	4,565	4,565	8,217	8,217	16,435
MUL42HP230V1R32AO	5K+5K+9K+12K+12K	4,884	4,884	8,791	11,721	11,721	4,884	4,884	8,791	11,721	11,721
MUL42HP230V1R32AO	5K+5K+9K+18K+18K	3,818	3,818	6,873	13,745	13,745	3,818	3,818	6,873	13,745	13,745
MUL42HP230V1R32AO	5K+5K+9K+18K+24K	3,443	3,443	6,197	12,393	16,525	3,443	3,443	6,197	12,393	16,525
MUL42HP230V1R32AO	5K+5K+12K+12K+12K	4,565	4,565	10,957	10,957	10,957	4,565	4,565	10,957	10,957	10,957
MUL42HP230V1R32AO	5K+5K+12K+18K+18K	3,621	3,621	8,690	13,034	13,034	3,621	3,621	8,690	13,034	13,034
MUL42HP230V1R32AO	5K+7K+7K+7K+12K	5,000	7,000	7,000	7,000	12,000	5,000	7,000	7,000	7,000	12,000
MUL42HP230V1R32AO	5K+7K+7K+9K+9K	5,000	7,000	7,000	9,000	9,000	5,000	7,000	7,000	9,000	9,000
MUL42HP230V1R32AO	5K+7K+7K+9K+18K	4,565	6,391	6,391	8,217	16,435	4,565	6,391	6,391	8,217	16,435
MUL42HP230V1R32AO	5K+7K+7K+9K+24K	4,038	5,654	5,654	7,269	19,385	4,038	5,654	5,654	7,269	19,385
MUL42HP230V1R32AO	5K+7K+7K+12K+18K	4,286	6,000	6,000	10,286	15,429	4,286	6,000	6,000	10,286	15,429
MUL42HP230V1R32AO	5K+7K+7K+12K+24K	3,818	5,345	5,345	9,164	18,327	3,818	5,345	5,345	9,164	18,327
MUL42HP230V1R32AO	5K+7K+9K+9K+12K	5,000	7,000	9,000	9,000	12,000	5,000	7,000	9,000	9,000	12,000
MUL42HP230V1R32AO	5K+7K+9K+12K+12K	4,667	6,533	8,400	11,200	11,200	4,667	6,533	8,400	11,200	11,200
MUL42HP230V1R32AO	5K+7K+9K+18K+18K	3,684	5,158	6,632	13,263	13,263	3,684	5,158	6,632	13,263	13,263
MUL42HP230V1R32AO	5K+7K+9K+18K+24K	3,333	4,667	6,000	12,000	16,000	3,333	4,667	6,000	12,000	16,000
MUL42HP230V1R32AO	5K+7K+12K+12K+18K	3,889	5,444	9,333	9,333	14,000	3,889	5,444	9,333	9,333	14,000
MUL42HP230V1R32AO	5K+7K+12K+12K+24K	3,500	4,900	8,400	8,400	16,800	3,500	4,900	8,400	8,400	16,800
MUL42HP230V1R32AO	5K+9K+9K+9K+12K	4,773	8,591	8,591	8,591	11,455	4,773	8,591	8,591	8,591	11,455
MUL42HP230V1R32AO	5K+9K+9K+12K+12K	4,468	8,043	8,043	10,723	10,723	4,468	8,043	8,043	10,723	10,723
MUL42HP230V1R32AO	5K+9K+9K+18K+18K	3,559	6,407	6,407	12,814	12,814	3,559	6,407	6,407	12,814	12,814
MUL42HP230V1R32AO	5K+9K+9K+18K+24K	3,231	5,815	5,815	11,631	15,508	3,231	5,815	5,815	11,631	15,508
MUL42HP230V1R32AO	5K+9K+12K+12K+12K	4,200	7,560	10,080	10,080	10,080	4,200	7,560	10,080	10,080	10,080
MUL42HP230V1R32AO	5K+9K+12K+18K+18K	3,387	6,097	8,129	12,194	12,194	3,387	6,097	8,129	12,194	12,194
MUL42HP230V1R32AO	5K+12K+12K+12K+18K	3,559	8,542	8,542	8,542	12,814	3,559	8,542	8,542	8,542	12,814
MUL42HP230V1R32AO	5K+5K+5K+5K+7K	5,000	5,000	5,000	5,000	7,000	5,000	5,000	5,000	5,000	7,000
MUL42HP230V1R32AO	5K+5K+5K+5K+12K	5,000	5,000	5,000	5,000	12,000	5,000	5,000	5,000	5,000	12,000
MUL42HP230V1R32AO	5K+5K+5K+7K+7K	5,000	5,000	5,000	7,000	7,000	5,000	5,000	5,000	7,000	7,000
MUL42HP230V1R32AO	5K+5K+5K+7K+12K	5,000	5,000	5,000	7,000	12,000	5,000	5,000	5,000	7,000	12,000
MUL42HP230V1R32AO	5K+5K+5K+9K+9K	5,000	5,000	5,000	9,000	9,000	5,000	5,000	5,000	9,000	9,000

MODEL NUMBER	POSSIBLE COMBINATIONS*	COOLING CAPACITY (Btu/h)					HEATING CAPACITY (Btu/h)				
		ZONE1	ZONE2	ZONE3	ZONE4	ZONE5	ZONE1	ZONE2	ZONE3	ZONE4	ZONE5
MUL42HP230V1R32AO	5K+5K+5K+9K+18K	5,000	5,000	5,000	9,000	18,000	5,000	5,000	5,000	9,000	18,000
MUL42HP230V1R32AO	5K+5K+5K+9K+24K	4,375	4,375	4,375	7,875	21,000	4,375	4,375	4,375	7,875	21,000
MUL42HP230V1R32AO	5K+5K+5K+12K+18K	4,667	4,667	4,667	11,200	16,800	4,667	4,667	4,667	11,200	16,800
MUL42HP230V1R32AO	5K+5K+5K+12K+24K	4,118	4,118	4,118	9,882	19,765	4,118	4,118	4,118	9,882	19,765
MUL42HP230V1R32AO	5K+5K+5K+18K+24K	3,684	3,684	3,684	13,263	17,684	3,684	3,684	3,684	13,263	17,684
MUL42HP230V1R32AO	5K+5K+7K+7K+12K	5,000	5,000	7,000	7,000	12,000	5,000	5,000	7,000	7,000	12,000
MUL42HP230V1R32AO	5K+5K+7K+9K+9K	5,000	5,000	7,000	9,000	9,000	5,000	5,000	7,000	9,000	9,000
MUL42HP230V1R32AO	5K+5K+7K+9K+12K	5,000	5,000	7,000	9,000	12,000	5,000	5,000	7,000	9,000	12,000
MUL42HP230V1R32AO	5K+5K+7K+12K+12K	5,000	5,000	7,000	12,000	12,000	5,000	5,000	7,000	12,000	12,000
MUL42HP230V1R32AO	5K+5K+9K+9K+9K	5,000	5,000	9,000	9,000	9,000	5,000	5,000	9,000	9,000	9,000
MUL42HP230V1R32AO	5K+5K+9K+9K+18K	4,565	4,565	8,217	8,217	16,435	4,565	4,565	8,217	8,217	16,435
MUL42HP230V1R32AO	5K+5K+9K+9K+24K	4,038	4,038	7,269	7,269	19,385	4,038	4,038	7,269	7,269	19,385
MUL42HP230V1R32AO	5K+5K+9K+12K+18K	4,286	4,286	7,714	10,286	15,429	4,286	4,286	7,714	10,286	15,429
MUL42HP230V1R32AO	5K+5K+9K+12K+24K	3,818	3,818	6,873	9,164	18,327	3,818	3,818	6,873	9,164	18,327
MUL42HP230V1R32AO	5K+5K+12K+12K+18K	4,038	4,038	9,692	9,692	14,538	4,038	4,038	9,692	9,692	14,538
MUL42HP230V1R32AO	5K+5K+12K+12K+24K	3,621	3,621	8,690	8,690	17,379	3,621	3,621	8,690	8,690	17,379
MUL42HP230V1R32AO	5K+7K+7K+7K+9K	5,000	7,000	7,000	7,000	9,000	5,000	7,000	7,000	7,000	9,000
MUL42HP230V1R32AO	5K+7K+7K+7K+18K	4,773	6,682	6,682	6,682	17,182	4,773	6,682	6,682	6,682	17,182
MUL42HP230V1R32AO	5K+7K+7K+7K+24K	4,200	5,880	5,880	5,880	20,160	4,200	5,880	5,880	5,880	20,160
MUL42HP230V1R32AO	5K+7K+7K+9K+12K	5,000	7,000	7,000	9,000	12,000	5,000	7,000	7,000	9,000	12,000
MUL42HP230V1R32AO	5K+7K+7K+12K+12K	4,884	6,837	6,837	11,721	11,721	4,884	6,837	6,837	11,721	11,721
MUL42HP230V1R32AO	5K+7K+7K+18K+18K	3,818	5,345	5,345	13,745	13,745	3,818	5,345	5,345	13,745	13,745
MUL42HP230V1R32AO	5K+7K+7K+18K+24K	3,443	4,820	4,820	12,393	16,525	3,443	4,820	4,820	12,393	16,525
MUL42HP230V1R32AO	5K+7K+9K+9K+9K	5,000	7,000	9,000	9,000	9,000	5,000	7,000	9,000	9,000	9,000
MUL42HP230V1R32AO	5K+7K+9K+9K+18K	4,375	6,125	7,875	7,875	15,750	4,375	6,125	7,875	7,875	15,750
MUL42HP230V1R32AO	5K+7K+9K+9K+24K	3,889	5,444	7,000	7,000	18,667	3,889	5,444	7,000	7,000	18,667
MUL42HP230V1R32AO	5K+7K+9K+12K+18K	4,118	5,765	7,412	9,882	14,824	4,118	5,765	7,412	9,882	14,824
MUL42HP230V1R32AO	5K+7K+9K+12K+24K	3,684	5,158	6,632	8,842	17,684	3,684	5,158	6,632	8,842	17,684
MUL42HP230V1R32AO	5K+7K+12K+12K+12K	4,375	6,125	10,500	10,500	10,500	4,375	6,125	10,500	10,500	10,500
MUL42HP230V1R32AO	5K+7K+12K+18K+18K	3,500	4,900	8,400	12,600	12,600	3,500	4,900	8,400	12,600	12,600
MUL42HP230V1R32AO	5K+9K+9K+9K+9K	5,000	9,000	9,000	9,000	9,000	5,000	9,000	9,000	9,000	9,000
MUL42HP230V1R32AO	5K+9K+9K+9K+18K	4,200	7,560	7,560	7,560	15,120	4,200	7,560	7,560	7,560	15,120
MUL42HP230V1R32AO	5K+9K+9K+9K+24K	3,750	6,750	6,750	6,750	18,000	3,750	6,750	6,750	6,750	18,000
MUL42HP230V1R32AO	5K+9K+9K+12K+18K	3,962	7,132	7,132	9,509	14,264	3,962	7,132	7,132	9,509	14,264
MUL42HP230V1R32AO	5K+9K+9K+12K+24K	3,559	6,407	6,407	8,542	17,085	3,559	6,407	6,407	8,542	17,085
MUL42HP230V1R32AO	5K+9K+12K+12K+18K	3,750	6,750	9,000	9,000	13,500	3,750	6,750	9,000	9,000	13,500
MUL42HP230V1R32AO	5K+9K+12K+12K+24K	3,387	6,097	8,129	8,129	16,258	3,387	6,097	8,129	8,129	16,258
MUL42HP230V1R32AO	5K+12K+12K+12K+12K	3,962	9,509	9,509	9,509	9,509	3,962	9,509	9,509	9,509	9,509
MUL42HP230V1R32AO	7K+7K+7K+7K+9K	7,000	7,000	7,000	7,000	9,000	7,000	7,000	7,000	7,000	9,000
MUL42HP230V1R32AO	7K+7K+7K+7K+18K	6,391	6,391	6,391	6,391	16,435	6,391	6,391	6,391	6,391	16,435
MUL42HP230V1R32AO	7K+7K+7K+7K+24K	5,654	5,654	5,654	5,654	19,385	5,654	5,654	5,654	5,654	19,385
MUL42HP230V1R32AO	7K+7K+7K+9K+12K	7,000	7,000	7,000	9,000	12,000	7,000	7,000	7,000	9,000	12,000
MUL42HP230V1R32AO	7K+7K+7K+12K+12K	6,533	6,533	6,533	11,200	11,200	6,533	6,533	6,533	11,200	11,200

MODEL NUMBER	POSSIBLE COMBINATIONS*	COOLING CAPACITY (Btu/h)					HEATING CAPACITY (Btu/h)				
		ZONE1	ZONE2	ZONE3	ZONE4	ZONE5	ZONE1	ZONE2	ZONE3	ZONE4	ZONE5
MUL42HP230V1R32AO	7K+7K+7K+18K+18K	5,158	5,158	5,158	13,263	13,263	5,158	5,158	5,158	13,263	13,263
MUL42HP230V1R32AO	7K+7K+7K+18K+24K	4,667	4,667	4,667	12,000	16,000	4,667	4,667	4,667	12,000	16,000
MUL42HP230V1R32AO	7K+7K+9K+9K+9K	7,000	7,000	9,000	9,000	9,000	7,000	7,000	9,000	9,000	9,000
MUL42HP230V1R32AO	7K+7K+9K+9K+18K	5,880	5,880	7,560	7,560	15,120	5,880	5,880	7,560	7,560	15,120
MUL42HP230V1R32AO	7K+7K+9K+9K+24K	5,250	5,250	6,750	6,750	18,000	5,250	5,250	6,750	6,750	18,000
MUL42HP230V1R32AO	7K+7K+9K+12K+18K	5,547	5,547	7,132	9,509	14,264	5,547	5,547	7,132	9,509	14,264
MUL42HP230V1R32AO	7K+7K+9K+12K+24K	4,983	4,983	6,407	8,542	17,085	4,983	4,983	6,407	8,542	17,085
MUL42HP230V1R32AO	7K+7K+12K+12K+18K	5,250	5,250	9,000	9,000	13,500	5,250	5,250	9,000	9,000	13,500
MUL42HP230V1R32AO	7K+7K+12K+12K+24K	4,742	4,742	8,129	8,129	16,258	4,742	4,742	8,129	8,129	16,258
MUL42HP230V1R32AO	7K+9K+9K+9K+9K	6,837	8,791	8,791	8,791	8,791	6,837	8,791	8,791	8,791	8,791
MUL42HP230V1R32AO	7K+9K+9K+9K+18K	5,654	7,269	7,269	7,269	14,538	5,654	7,269	7,269	7,269	14,538
MUL42HP230V1R32AO	7K+9K+9K+9K+24K	5,069	6,517	6,517	6,517	17,379	5,069	6,517	6,517	6,517	17,379
MUL42HP230V1R32AO	7K+9K+9K+12K+18K	5,345	6,873	6,873	9,164	13,745	5,345	6,873	6,873	9,164	13,745
MUL42HP230V1R32AO	7K+9K+9K+12K+24K	4,820	6,197	6,197	8,262	16,525	4,820	6,197	6,197	8,262	16,525
MUL42HP230V1R32AO	7K+9K+12K+12K+12K	5,654	7,269	9,692	9,692	9,692	5,654	7,269	9,692	9,692	9,692
MUL42HP230V1R32AO	7K+12K+12K+12K+18K	4,820	8,262	8,262	8,262	12,393	4,820	8,262	8,262	8,262	12,393
MUL42HP230V1R32AO	9K+9K+9K+9K+9K	8,400	8,400	8,400	8,400	8,400	8,400	8,400	8,400	8,400	8,400
MUL42HP230V1R32AO	9K+9K+9K+9K+12K	7,875	7,875	7,875	7,875	10,500	7,875	7,875	7,875	7,875	10,500
MUL42HP230V1R32AO	9K+9K+9K+9K+18K	7,000	7,000	7,000	7,000	14,000	7,000	7,000	7,000	7,000	14,000
MUL42HP230V1R32AO	9K+9K+9K+9K+24K	6,300	6,300	6,300	6,300	16,800	6,300	6,300	6,300	6,300	16,800
MUL42HP230V1R32AO	9K+9K+9K+12K+12K	7,412	7,412	7,412	9,882	9,882	7,412	7,412	7,412	9,882	9,882
MUL42HP230V1R32AO	9K+9K+9K+12K+18K	6,632	6,632	6,632	8,842	13,263	6,632	6,632	6,632	8,842	13,263
MUL42HP230V1R32AO	9K+9K+9K+12K+24K	6,000	6,000	6,000	8,000	16,000	6,000	6,000	6,000	8,000	16,000
MUL42HP230V1R32AO	9K+9K+9K+18K+18K	6,000	6,000	6,000	12,000	12,000	6,000	6,000	6,000	12,000	12,000
MUL42HP230V1R32AO	9K+9K+12K+12K+12K	7,000	7,000	9,333	9,333	9,333	7,000	7,000	9,333	9,333	9,333
MUL42HP230V1R32AO	9K+9K+12K+12K+18K	6,300	6,300	8,400	8,400	12,600	6,300	6,300	8,400	8,400	12,600
MUL42HP230V1R32AO	9K+12K+12K+12K+12K	6,632	8,842	8,842	8,842	8,842	6,632	8,842	8,842	8,842	8,842
MUL42HP230V1R32AO	9K+12K+12K+12K+18K	6,000	8,000	8,000	8,000	12,000	6,000	8,000	8,000	8,000	12,000
MUL42HP230V1R32AO	12K+12K+12K+12K+12K	8,400	8,400	8,400	8,400	8,400	8,400	8,400	8,400	8,400	8,400

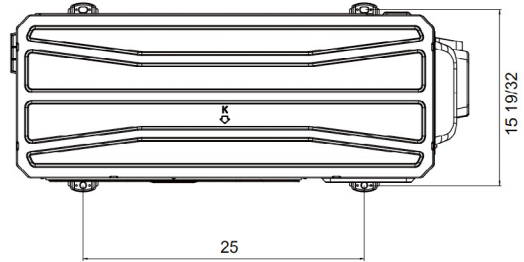
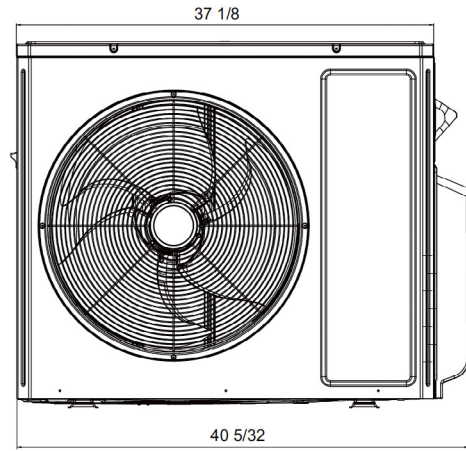
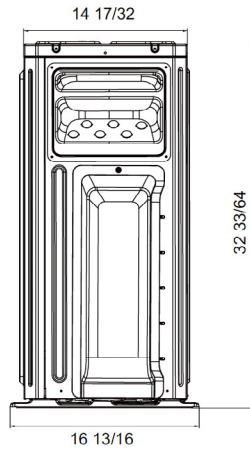
## DIMENSIONS

### OUTDOOR UNIT

Unit: inch

MUL42HP230V1R32AO

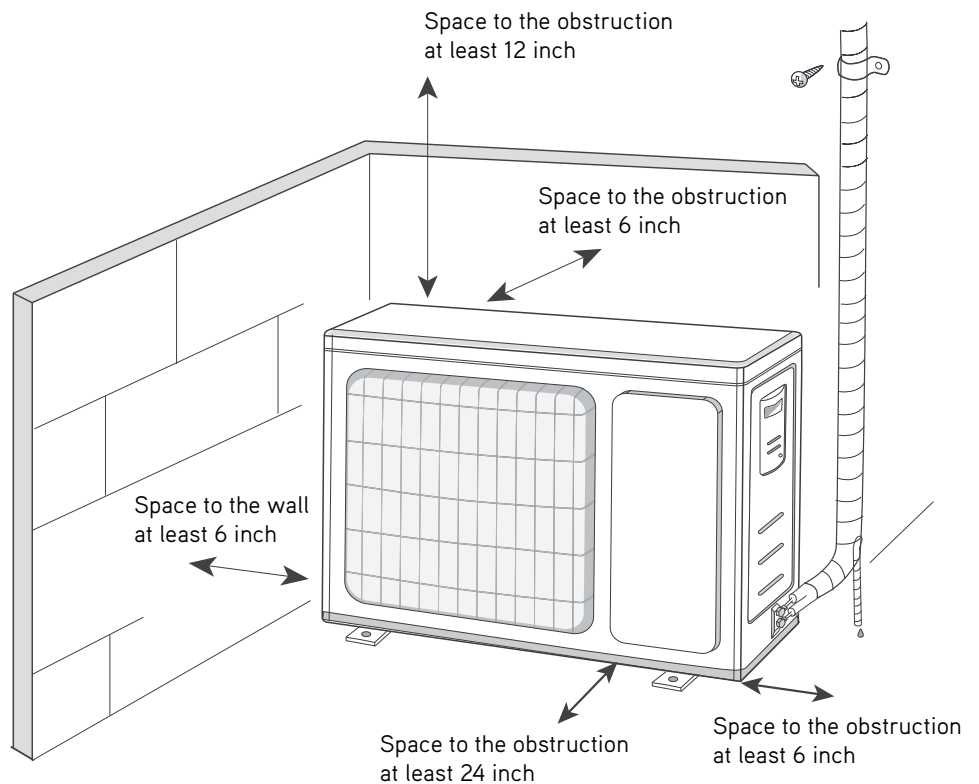
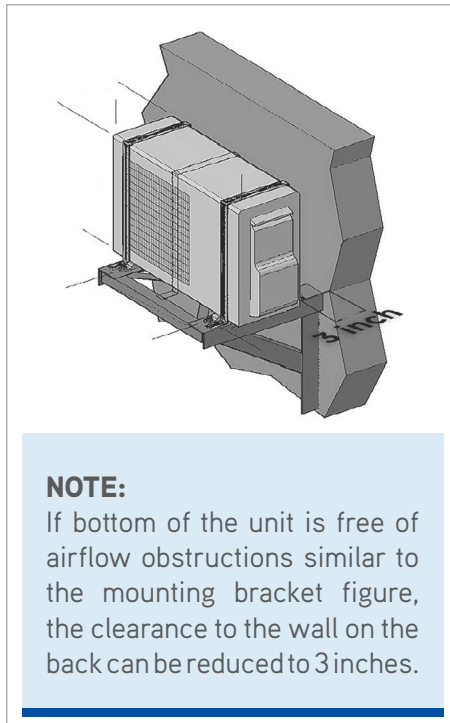
DIMENSIONS



## CLEARANCES

### OUTDOOR UNIT

Minimum clearance



Specifications are subject to change without notice. Manufacturer reserves the right to discontinue or modify specifications or designs without notice or without incurring obligations. All Rights reserved.

[GRECOMFORT.COM/SYSTEM-DOCUMENTATION](http://GRECOMFORT.COM/SYSTEM-DOCUMENTATION)