

## SUBMITTAL DATA

MUL48HP230V1R32AO  
48000 BTU/H Multi-Zone Heat Pump System

Job Name	Location	Date
Purchaser	Engineer	
Submitted to	For	
Unit Designation	Schedule No.	



MUL48HP230V1R32AO

### GENERAL FEATURES

- AHRI Certificate: [217101784 \(Non-Ducted\)](#)
- [217101785 \(Ducted\)](#)
- [217101786 \(Mixed\)](#)
- High Efficiency DC Inverter Technology
- Compact and Quiet Design
- Auto Restart on Power Outages
- Multi-point Diagnostics
- Wi-Fi Included (Factory Installed)
- Low Ambient Cooling down to -22°F (Range -22°F to 118°F)
- Low Ambient Heating down to -22°F (Range -22°F to 75°F)
- Coil (Indoor and Outdoor) Copper Tube / Aluminum Fin
- Blue Colored Fin - 500 Hrs Salt Spray Tested

# MULTI-ZONE COMPATIBILITY CHART

## WALL MOUNT OPTIONS

MULTI R32								
	MUL18HP230V1R32AO	MUL19HP230V1R32AO	MUL24HP230V1R32AO	MUL30HP230V1R32AO	MUL36HP230V1R32AO	MUL42HP230V1R32AO	MUL48HP230V1R32AO	MUL60HP230V1R32AO
<b>LIVO R32</b>								
<b>System Model no.</b>								
LIV05HP230V1R32AH	•	•	•	•	•	•	•	•
LIV07HP230V1R32AH	•	•	•	•	•	•	•	•
LIV09HP230V1R32AH	•	•	•	•	•	•	•	•
LIV12HP230V1R32AH	•	•	•	•	•	•	•	•
LIV18HP230V1R32AH			•	•	•	•	•	•
LIV24HP230V1R32AH				•	•	•	•	•
LIV30HP230V1R32AH								•
LIV36HP230V1R32AH								•
<b>ZENO R32</b>								
<b>System Model no.</b>								
WZEN09HPJ132AH	•	•						
WZEN12HPJ132AH	•	•						
<b>VIREO R32</b>								
<b>System Model no.</b>								
VIR09HP230V1R32AH	•	•	•	•	•	•	•	•
VIR12HP230V1R32AH	•	•	•	•	•	•	•	•
VIR18HP230V1R32AH			•	•	•	•	•	•
VIR24HP230V1R32AH				•	•	•	•	•
<b>ENVO R32</b>								
<b>System Model no.</b>								
ENV09HP230V1R32AH	•	•	•	•	•	•	•	•
ENV12HP230V1R32AH	•	•	•	•	•	•	•	•
ENV18HP230V1R32AH			•	•	•	•	•	•
ENV24HP230V1R32AH				•	•	•	•	•
<b>SAPPHIRE R32</b>								
<b>System Model no.</b>								
SAP09HP230V1R32AH	•	•	•	•	•	•	•	•
SAP12HP230V1R32AH	•	•	•	•	•	•	•	•
SAP18HP230V1R32AH			•	•	•	•	•	•
SAP24HP230V1R32AH				•	•	•	•	•

NOTE: R32 Indoor units are only compatible with R32 Outdoor units. Keep in mind, line set is always sized by the indoor unit valve diameter.

## ADDITIONAL INDOOR UNIT OPTIONS

MULTI R32								
	MUL18HP230V1R32AO	MUL19HP230V1R32AO	MUL24HP230V1R32AO	MUL30HP230V1R32AO	MUL36HP230V1R32AO	MUL42HP230V1R32AO	MUL48HP230V1R32AO	MUL60HP230V1R32AO
<b>ONE WAY CASSETTE</b>								
<b>System Model no.</b>								
OWC09HP230V1R32AH	•	•	•	•	•	•	•	•
OWC12HP230V1R32AH	•	•	•	•	•	•	•	•
OWC18HP230V1R32AH			•	•	•	•	•	•
OWC24HP230V1R32AH				•	•	•	•	•
<b>360° CEILING CASSETTE</b>								
<b>System Model no.</b>								
CAS09HP230V1R32AH	•	•	•	•	•	•	•	•
CAS12HP230V1R32AH	•	•	•	•	•	•	•	•
CAS18HP230V1R32AH			•	•	•	•	•	•
CAS24HP230V1R32AH				•	•	•	•	•
CAS30HP230V1R32AH								•
CAS36HP230V1R32AH								•
<b>SLIM DUCT</b>								
<b>System Model no.</b>								
DUC09HP230V1R32AH	•	•	•	•	•	•	•	•
DUC12HP230V1R32AH	•	•	•	•	•	•	•	•
DUC18HP230V1R32AH			•	•	•	•	•	•
DUC24HP230V1R32AH				•	•	•	•	•
DUC30HP230V1R32AH								•
DUC36HP230V1R32AH								•
<b>FLOOR/CEILING</b>								
<b>System Model no.</b>								
FLR09HP230V1R32AH	•	•	•	•	•	•	•	•
FLR12HP230V1R32AH	•	•	•	•	•	•	•	•
FLR18HP230V1R32AH			•	•	•	•	•	•
FLR24HP230V1R32AH				•	•	•	•	•
FLR30HP230V1R32AH								•
FLR36HP230V1R32AH								•
<b>MINI CONSOLE</b>								
<b>System Model no.</b>								
CON09HP230V1R32AH	•	•	•	•	•	•	•	•
CON12HP230V1R32AH	•	•	•	•	•	•	•	•
CON18HP230V1R32AH			•	•	•	•	•	•
<b>AIR HANDLER</b>								
<b>System Model no.</b>								
VAH12HP230V1R32AH	•	•	•	•	•	•	•	•
VAH18HP230V1R32AH			•	•	•	•	•	•
VAH24HP230V1R32AH				•	•	•	•	•

## SPECIFICATIONS, FEATURES & FUNCTION SUMMARY

SYSTEM TYPE		HEAT PUMP	
Outdoor Model		MUL48HP230V1R32AO	
Number of Zones		2 - 5	
SYSTEM PERFORMANCE (Non-Ducted Indoor Units)			
Cooling Capacity	Min - Max	Btu/h	8,870 - 49,133
	Rated Capacity @95°F	Btu/h	48,000
Heating Capacity	Min - Max	Btu/h	8,870 - 54,592
	Rated Capacity @47°F	Btu/h	48,000
	Rated Capacity @17°F	Btu/h	40,000
	Rated Capacity @5°F	Btu/h	37,800
SEER2		21	
EER2		12.0	
HSPF2		10.0	
COP @5°F		2.10	
SYSTEM PERFORMANCE (Ducted Indoor Units)			
Cooling Capacity	Min - Max	Btu/h	8,870 - 49,133
	Rated Capacity @95°F	Btu/h	48,000
Heating Capacity	Min - Max	Btu/h	8,870 - 54,592
	Rated Capacity @47°F	Btu/h	48,000
	Rated Capacity @17°F	Btu/h	40,000
	Rated Capacity @5°F	Btu/h	36,000
SEER2		18.0	
EER2		11.7	
HSPF2		8.1	
COP @5°F		1.90	
SYSTEM PERFORMANCE (Mixed Ducted and Non-Ducted Indoor Units)			
Cooling Capacity	Min - Max	Btu/h	8,870 - 49,133
	Rated Capacity @95°F	Btu/h	48,000
Heating Capacity	Min - Max	Btu/h	8,870 - 54,592
	Rated Capacity @47°F	Btu/h	48,000
	Rated Capacity @17°F	Btu/h	40,000
	Rated Capacity @5°F	Btu/h	37,000
SEER2		19.0	
EER2		11.8	
HSPF2		9.0	
COP @5°F		1.84	
OUTDOOR UNIT		MUL48HP230V1R32AO	
Cooling Temperature Range	°F	-22 - 118	
Heating Temperature Range	°F	-22 - 75	
Refrigerant Type		R32	
Compressor Type		GREE G-20 / Double Cylinder / 1 - STAGE INVERTER	
Sound Pressure Level	dB(A)	59	
External Dimensions (W x H x D)	in	40-10/64 x 32-33/64 x 16-52/64	
Package Dimension (W x H x D)	in	43-1/32 x 34-27/32 x 19-9/16	
Net Weight	lbs	174.2	
Gross Weight	lbs	189.6	
REFRIGERANT PIPING			
Refrigerant Charge - R32	oz	95.256	
Compressor Type		GREE G-20 / Double Cylinder / 1 - STAGE INVERTER	
Additional Charge	oz/ft	0.2	
Port Size (Liquid - Gas)	Port A (in)	1/4 - 3/8	
	Port B (in)	1/4 - 3/8	
	Port C (in)	1/4 - 3/8	
	Port D (in)	1/4 - 3/8	
	Port E (in)	1/4 - 3/8	
Pre-Charge Length	ft	164	
Pipe Length (Min - Max)	ft	10 - 328	
Pipe Length to furthest Indoor Unit	ft	82	
Max. Pipe Elevation	ft	82	
ELECTRICAL			
Power Supply		208-230V / 1Ph / 60Hz	
Voltage Range (Min - Max)	VAC	187 - 253	
Rated Current - Cooling	A	21.7	
Rated Current - Heating	A	22.6	
MOCP	A	35	
MCA	A	30	
Main Power Wire Size	AWG	Per Local Code	
Interconnecting Wire Size	AWG	14 / 4	
FEATURES & FUNCTIONS SUMMARY			
Inverter Type	G20		
Ultra Low Frequency Torque Control	Yes		
Compressor Type - Inverter	Yes		
Basepan With Electric Heater	Yes		
Indoor & Outdoor Fin Coating (Blue Fin)	Yes		
Intelligent Defrosting	Yes		
Intelligent Preheating	Yes		
Low Voltage Startup	Yes		
Memory/Power Failure Recovery	Yes		
Self Diagnosis	Yes		

## ALLOWABLE COMBINATIONS CAPACITIES

MODEL NUMBER	POSSIBLE COMBINATIONS*	COOLING CAPACITY (Btu/h)					HEATING CAPACITY (Btu/h)				
		ZONE1	ZONE2	ZONE3	ZONE4	ZONE5	ZONE1	ZONE2	ZONE3	ZONE4	ZONE5
MUL48HP230V1R32AO	5K+24K	5,000	24,000				5,000	24,000			
MUL48HP230V1R32AO	7K+18K	7,000	18,000				7,000	18,000			
MUL48HP230V1R32AO	7K+24K	7,000	24,000				7,000	24,000			
MUL48HP230V1R32AO	9K+18K	9,000	18,000				9,000	18,000			
MUL48HP230V1R32AO	9K+24K	9,000	24,000				9,000	24,000			
MUL48HP230V1R32AO	12K+12K	12,000	12,000				12,000	12,000			
MUL48HP230V1R32AO	12K+18K	12,000	18,000				12,000	18,000			
MUL48HP230V1R32AO	12K+24K	12,000	24,000				12,000	24,000			
MUL48HP230V1R32AO	18K+18K	18,000	18,000				18,000	18,000			
MUL48HP230V1R32AO	18K+24K	18,000	24,000				18,000	24,000			
MUL48HP230V1R32AO	24K+24K	24,000	24,000				24,000	24,000			
MUL48HP230V1R32AO	5K+5K+18K	5,000	5,000	18,000			5,000	5,000	18,000		
MUL48HP230V1R32AO	5K+5K+24K	5,000	5,000	24,000			5,000	5,000	24,000		
MUL48HP230V1R32AO	5K+7K+12K	5,000	7,000	12,000			5,000	7,000	12,000		
MUL48HP230V1R32AO	5K+7K+18K	5,000	7,000	18,000			5,000	7,000	18,000		
MUL48HP230V1R32AO	5K+7K+24K	5,000	7,000	24,000			5,000	7,000	24,000		
MUL48HP230V1R32AO	5K+9K+12K	5,000	9,000	12,000			5,000	9,000	12,000		
MUL48HP230V1R32AO	5K+9K+18K	5,000	9,000	18,000			5,000	9,000	18,000		
MUL48HP230V1R32AO	5K+9K+24K	5,000	9,000	24,000			5,000	9,000	24,000		
MUL48HP230V1R32AO	5K+12K+12K	5,000	12,000	12,000			5,000	12,000	12,000		
MUL48HP230V1R32AO	5K+12K+18K	5,000	12,000	18,000			5,000	12,000	18,000		
MUL48HP230V1R32AO	5K+12K+24K	5,000	12,000	24,000			5,000	12,000	24,000		
MUL48HP230V1R32AO	5K+18K+18K	5,000	18,000	18,000			5,000	18,000	18,000		
MUL48HP230V1R32AO	5K+18K+24K	5,000	18,000	24,000			5,000	18,000	24,000		
MUL48HP230V1R32AO	5K+24K+24K	4,528	21,736	21,736			4,528	21,736	21,736		
MUL48HP230V1R32AO	7K+7K+12K	7,000	7,000	12,000			7,000	7,000	12,000		
MUL48HP230V1R32AO	7K+7K+18K	7,000	7,000	18,000			7,000	7,000	18,000		
MUL48HP230V1R32AO	7K+7K+24K	7,000	7,000	24,000			7,000	7,000	24,000		
MUL48HP230V1R32AO	7K+9K+9K	7,000	9,000	9,000			7,000	9,000	9,000		
MUL48HP230V1R32AO	7K+9K+12K	7,000	9,000	12,000			7,000	9,000	12,000		
MUL48HP230V1R32AO	7K+9K+18K	7,000	9,000	18,000			7,000	9,000	18,000		
MUL48HP230V1R32AO	7K+9K+24K	7,000	9,000	24,000			7,000	9,000	24,000		
MUL48HP230V1R32AO	7K+12K+12K	7,000	12,000	12,000			7,000	12,000	12,000		
MUL48HP230V1R32AO	7K+12K+18K	7,000	12,000	18,000			7,000	12,000	18,000		
MUL48HP230V1R32AO	7K+12K+24K	7,000	12,000	24,000			7,000	12,000	24,000		
MUL48HP230V1R32AO	7K+18K+18K	7,000	18,000	18,000			7,000	18,000	18,000		
MUL48HP230V1R32AO	7K+18K+24K	6,857	17,633	23,510			6,857	17,633	23,510		
MUL48HP230V1R32AO	7K+24K+24K	6,109	20,945	20,945			6,109	20,945	20,945		
MUL48HP230V1R32AO	9K+9K+9K	9,000	9,000	9,000			9,000	9,000	9,000		
MUL48HP230V1R32AO	9K+9K+12K	9,000	9,000	12,000			9,000	9,000	12,000		

Outdoor Unit & Possible Indoor Unit Combinations with AHRI Certified Performance

\*You may substitute the 9K unit with a 5K or 7K High Wall unit, find complete capacity information in the extended ratings chart.

MODEL NUMBER	POSSIBLE COMBINATIONS*	COOLING CAPACITY (Btu/h)					HEATING CAPACITY (Btu/h)				
		ZONE1	ZONE2	ZONE3	ZONE4	ZONE5	ZONE1	ZONE2	ZONE3	ZONE4	ZONE5
MUL48HP230V1R32AO	9K+9K+18K	9,000	9,000	18,000			9,000	9,000	18,000		
MUL48HP230V1R32AO	9K+9K+24K	9,000	9,000	24,000			9,000	9,000	24,000		
MUL48HP230V1R32AO	9K+12K+12K	9,000	12,000	12,000			9,000	12,000	12,000		
MUL48HP230V1R32AO	9K+12K+18K	9,000	12,000	18,000			9,000	12,000	18,000		
MUL48HP230V1R32AO	9K+12K+24K	9,000	12,000	24,000			9,000	12,000	24,000		
MUL48HP230V1R32AO	9K+18K+18K	9,000	18,000	18,000			9,000	18,000	18,000		
MUL48HP230V1R32AO	9K+18K+24K	8,471	16,941	22,588			8,471	16,941	22,588		
MUL48HP230V1R32AO	9K+24K+24K	7,579	20,211	20,211			7,579	20,211	20,211		
MUL48HP230V1R32AO	12K+12K+12K	12,000	12,000	12,000			12,000	12,000	12,000		
MUL48HP230V1R32AO	12K+12K+18K	12,000	12,000	18,000			12,000	12,000	18,000		
MUL48HP230V1R32AO	12K+12K+24K	12,000	12,000	24,000			12,000	12,000	24,000		
MUL48HP230V1R32AO	12K+18K+18K	12,000	18,000	18,000			12,000	18,000	18,000		
MUL48HP230V1R32AO	12K+18K+24K	10,667	16,000	21,333			10,667	16,000	21,333		
MUL48HP230V1R32AO	12K+24K+24K	9,600	19,200	19,200			9,600	19,200	19,200		
MUL48HP230V1R32AO	18K+18K+18K	16,000	16,000	16,000			16,000	16,000	16,000		
MUL48HP230V1R32AO	18K+18K+24K	14,400	14,400	19,200			14,400	14,400	19,200		
MUL48HP230V1R32AO	18K+24K+24K	13,091	17,455	17,455			13,091	17,455	17,455		
MUL48HP230V1R32AO	24K+24K+24K	16,000	16,000	16,000			16,000	16,000	16,000		
MUL48HP230V1R32AO	5K+5K+5K+9K	5,000	5,000	5,000	9,000		5,000	5,000	5,000	9,000	
MUL48HP230V1R32AO	5K+5K+5K+12K	5,000	5,000	5,000	12,000		5,000	5,000	5,000	12,000	
MUL48HP230V1R32AO	5K+5K+5K+18K	5,000	5,000	5,000	18,000		5,000	5,000	5,000	18,000	
MUL48HP230V1R32AO	5K+5K+5K+24K	5,000	5,000	5,000	24,000		5,000	5,000	5,000	24,000	
MUL48HP230V1R32AO	5K+5K+7K+7K	5,000	5,000	7,000	7,000		5,000	5,000	7,000	7,000	
MUL48HP230V1R32AO	5K+5K+7K+9K	5,000	5,000	7,000	9,000		5,000	5,000	7,000	9,000	
MUL48HP230V1R32AO	5K+5K+7K+12K	5,000	5,000	7,000	12,000		5,000	5,000	7,000	12,000	
MUL48HP230V1R32AO	5K+5K+7K+18K	5,000	5,000	7,000	18,000		5,000	5,000	7,000	18,000	
MUL48HP230V1R32AO	5K+5K+7K+24K	5,000	5,000	7,000	24,000		5,000	5,000	7,000	24,000	
MUL48HP230V1R32AO	5K+5K+9K+9K	5,000	5,000	9,000	9,000		5,000	5,000	9,000	9,000	
MUL48HP230V1R32AO	5K+5K+9K+12K	5,000	5,000	9,000	12,000		5,000	5,000	9,000	12,000	
MUL48HP230V1R32AO	5K+5K+9K+18K	5,000	5,000	9,000	18,000		5,000	5,000	9,000	18,000	
MUL48HP230V1R32AO	5K+5K+9K+24K	5,000	5,000	9,000	24,000		5,000	5,000	9,000	24,000	
MUL48HP230V1R32AO	5K+5K+12K+12K	5,000	5,000	12,000	12,000		5,000	5,000	12,000	12,000	
MUL48HP230V1R32AO	5K+5K+12K+18K	5,000	5,000	12,000	18,000		5,000	5,000	12,000	18,000	
MUL48HP230V1R32AO	5K+5K+12K+24K	5,000	5,000	12,000	24,000		5,000	5,000	12,000	24,000	
MUL48HP230V1R32AO	5K+5K+18K+18K	5,000	5,000	18,000	18,000		5,000	5,000	18,000	18,000	
MUL48HP230V1R32AO	5K+5K+18K+24K	4,615	4,615	16,615	22,154		4,615	4,615	16,615	22,154	
MUL48HP230V1R32AO	5K+5K+24K+24K	4,138	4,138	19,862	19,862		4,138	4,138	19,862	19,862	
MUL48HP230V1R32AO	5K+7K+7K+7K	5,000	7,000	7,000	7,000		5,000	7,000	7,000	7,000	
MUL48HP230V1R32AO	5K+7K+7K+9K	5,000	7,000	7,000	9,000		5,000	7,000	7,000	9,000	
MUL48HP230V1R32AO	5K+7K+7K+12K	5,000	7,000	7,000	12,000		5,000	7,000	7,000	12,000	
MUL48HP230V1R32AO	5K+7K+7K+18K	5,000	7,000	7,000	18,000		5,000	7,000	7,000	18,000	
MUL48HP230V1R32AO	5K+7K+7K+24K	5,000	7,000	7,000	24,000		5,000	7,000	7,000	24,000	
MUL48HP230V1R32AO	5K+7K+9K+9K	5,000	7,000	9,000	9,000		5,000	7,000	9,000	9,000	

MODEL NUMBER	POSSIBLE COMBINATIONS*	COOLING CAPACITY (Btu/h)					HEATING CAPACITY (Btu/h)				
		ZONE1	ZONE2	ZONE3	ZONE4	ZONE5	ZONE1	ZONE2	ZONE3	ZONE4	ZONE5
MUL48HP230V1R32AO	5K+7K+9K+12K	5,000	7,000	9,000	12,000		5,000	7,000	9,000	12,000	
MUL48HP230V1R32AO	5K+7K+9K+18K	5,000	7,000	9,000	18,000		5,000	7,000	9,000	18,000	
MUL48HP230V1R32AO	5K+7K+9K+24K	5,000	7,000	9,000	24,000		5,000	7,000	9,000	24,000	
MUL48HP230V1R32AO	5K+7K+12K+12K	5,000	7,000	12,000	12,000		5,000	7,000	12,000	12,000	
MUL48HP230V1R32AO	5K+7K+12K+18K	5,000	7,000	12,000	18,000		5,000	7,000	12,000	18,000	
MUL48HP230V1R32AO	5K+7K+12K+24K	5,000	7,000	12,000	24,000		5,000	7,000	12,000	24,000	
MUL48HP230V1R32AO	5K+7K+18K+18K	5,000	7,000	18,000	18,000		5,000	7,000	18,000	18,000	
MUL48HP230V1R32AO	5K+7K+18K+24K	4,444	6,222	16,000	21,333		4,444	6,222	16,000	21,333	
MUL48HP230V1R32AO	5K+7K+24K+24K	4,000	5,600	19,200	19,200		4,000	5,600	19,200	19,200	
MUL48HP230V1R32AO	5K+9K+9K+9K	5,000	9,000	9,000	9,000		5,000	9,000	9,000	9,000	
MUL48HP230V1R32AO	5K+9K+9K+12K	5,000	9,000	9,000	12,000		5,000	9,000	9,000	12,000	
MUL48HP230V1R32AO	5K+9K+9K+18K	5,000	9,000	9,000	18,000		5,000	9,000	9,000	18,000	
MUL48HP230V1R32AO	5K+9K+9K+24K	5,000	9,000	9,000	24,000		5,000	9,000	9,000	24,000	
MUL48HP230V1R32AO	5K+9K+12K+12K	5,000	9,000	12,000	12,000		5,000	9,000	12,000	12,000	
MUL48HP230V1R32AO	5K+9K+12K+18K	5,000	9,000	12,000	18,000		5,000	9,000	12,000	18,000	
MUL48HP230V1R32AO	5K+9K+12K+24K	4,800	8,640	11,520	23,040		4,800	8,640	11,520	23,040	
MUL48HP230V1R32AO	5K+9K+18K+18K	4,800	8,640	17,280	17,280		4,800	8,640	17,280	17,280	
MUL48HP230V1R32AO	5K+9K+18K+24K	4,286	7,714	15,429	20,571		4,286	7,714	15,429	20,571	
MUL48HP230V1R32AO	5K+9K+24K+24K	3,871	6,968	18,581	18,581		3,871	6,968	18,581	18,581	
MUL48HP230V1R32AO	5K+12K+12K+12K	5,000	12,000	12,000	12,000		5,000	12,000	12,000	12,000	
MUL48HP230V1R32AO	5K+12K+12K+18K	5,000	12,000	12,000	18,000		5,000	12,000	12,000	18,000	
MUL48HP230V1R32AO	5K+12K+12K+24K	4,528	10,868	10,868	21,736		4,528	10,868	10,868	21,736	
MUL48HP230V1R32AO	5K+12K+18K+18K	4,528	10,868	16,302	16,302		4,528	10,868	16,302	16,302	
MUL48HP230V1R32AO	5K+12K+18K+24K	4,068	9,763	14,644	19,525		4,068	9,763	14,644	19,525	
MUL48HP230V1R32AO	5K+12K+24K+24K	3,692	8,862	17,723	17,723		3,692	8,862	17,723	17,723	
MUL48HP230V1R32AO	5K+18K+18K+18K	4,068	14,644	14,644	14,644		4,068	14,644	14,644	14,644	
MUL48HP230V1R32AO	5K+18K+18K+24K	3,692	13,292	13,292	17,723		3,692	13,292	13,292	17,723	
MUL48HP230V1R32AO	5K+18K+24K+24K	3,380	12,169	16,225	16,225		3,380	12,169	16,225	16,225	
MUL48HP230V1R32AO	7K+7K+7K+7K	7,000	7,000	7,000	7,000		7,000	7,000	7,000	7,000	
MUL48HP230V1R32AO	7K+7K+7K+9K	7,000	7,000	7,000	9,000		7,000	7,000	7,000	9,000	
MUL48HP230V1R32AO	7K+7K+7K+12K	7,000	7,000	7,000	12,000		7,000	7,000	7,000	12,000	
MUL48HP230V1R32AO	7K+7K+7K+18K	7,000	7,000	7,000	18,000		7,000	7,000	7,000	18,000	
MUL48HP230V1R32AO	7K+7K+7K+24K	7,000	7,000	7,000	24,000		7,000	7,000	7,000	24,000	
MUL48HP230V1R32AO	7K+7K+9K+9K	7,000	7,000	9,000	9,000		7,000	7,000	9,000	9,000	
MUL48HP230V1R32AO	7K+7K+9K+12K	7,000	7,000	9,000	12,000		7,000	7,000	9,000	12,000	
MUL48HP230V1R32AO	7K+7K+9K+18K	7,000	7,000	9,000	18,000		7,000	7,000	9,000	18,000	
MUL48HP230V1R32AO	7K+7K+9K+24K	7,000	7,000	9,000	24,000		7,000	7,000	9,000	24,000	
MUL48HP230V1R32AO	7K+7K+12K+12K	7,000	7,000	12,000	12,000		7,000	7,000	12,000	12,000	
MUL48HP230V1R32AO	7K+7K+12K+18K	7,000	7,000	12,000	18,000		7,000	7,000	12,000	18,000	
MUL48HP230V1R32AO	7K+7K+12K+24K	6,720	6,720	11,520	23,040		6,720	6,720	11,520	23,040	
MUL48HP230V1R32AO	7K+7K+18K+18K	6,720	6,720	17,280	17,280		6,720	6,720	17,280	17,280	
MUL48HP230V1R32AO	7K+7K+18K+24K	6,000	6,000	15,429	20,571		6,000	6,000	15,429	20,571	
MUL48HP230V1R32AO	7K+7K+24K+24K	5,419	5,419	18,581	18,581		5,419	5,419	18,581	18,581	

MODEL NUMBER	POSSIBLE COMBINATIONS*	COOLING CAPACITY (Btu/h)					HEATING CAPACITY (Btu/h)				
		ZONE1	ZONE2	ZONE3	ZONE4	ZONE5	ZONE1	ZONE2	ZONE3	ZONE4	ZONE5
MUL48HP230V1R32AO	7K+9K+9K+9K	7,000	9,000	9,000	9,000		7,000	9,000	9,000	9,000	
MUL48HP230V1R32AO	7K+9K+9K+12K	7,000	9,000	9,000	12,000		7,000	9,000	9,000	12,000	
MUL48HP230V1R32AO	7K+9K+9K+18K	7,000	9,000	9,000	18,000		7,000	9,000	9,000	18,000	
MUL48HP230V1R32AO	7K+9K+9K+24K	6,857	8,816	8,816	23,510		6,857	8,816	8,816	23,510	
MUL48HP230V1R32AO	7K+9K+12K+12K	7,000	9,000	12,000	12,000		7,000	9,000	12,000	12,000	
MUL48HP230V1R32AO	7K+9K+12K+18K	7,000	9,000	12,000	18,000		7,000	9,000	12,000	18,000	
MUL48HP230V1R32AO	7K+9K+12K+24K	6,462	8,308	11,077	22,154		6,462	8,308	11,077	22,154	
MUL48HP230V1R32AO	7K+9K+18K+18K	6,462	8,308	16,615	16,615		6,462	8,308	16,615	16,615	
MUL48HP230V1R32AO	7K+9K+18K+24K	5,793	7,448	14,897	19,862		5,793	7,448	14,897	19,862	
MUL48HP230V1R32AO	7K+9K+24K+24K	5,250	6,750	18,000	18,000		5,250	6,750	18,000	18,000	
MUL48HP230V1R32AO	7K+12K+12K+12K	7,000	12,000	12,000	12,000		7,000	12,000	12,000	12,000	
MUL48HP230V1R32AO	7K+12K+12K+18K	6,857	11,755	11,755	17,633		6,857	11,755	11,755	17,633	
MUL48HP230V1R32AO	7K+12K+12K+24K	6,109	10,473	10,473	20,945		6,109	10,473	10,473	20,945	
MUL48HP230V1R32AO	7K+12K+18K+18K	6,109	10,473	15,709	15,709		6,109	10,473	15,709	15,709	
MUL48HP230V1R32AO	7K+12K+18K+24K	5,508	9,443	14,164	18,885		5,508	9,443	14,164	18,885	
MUL48HP230V1R32AO	7K+12K+24K+24K	5,015	8,597	17,194	17,194		5,015	8,597	17,194	17,194	
MUL48HP230V1R32AO	7K+18K+18K+18K	5,508	14,164	14,164	14,164		5,508	14,164	14,164	14,164	
MUL48HP230V1R32AO	7K+18K+18K+24K	5,015	12,896	12,896	17,194		5,015	12,896	12,896	17,194	
MUL48HP230V1R32AO	9K+9K+9K+9K	9,000	9,000	9,000	9,000		9,000	9,000	9,000	9,000	
MUL48HP230V1R32AO	9K+9K+9K+12K	9,000	9,000	9,000	12,000		9,000	9,000	9,000	12,000	
MUL48HP230V1R32AO	9K+9K+9K+18K	9,000	9,000	9,000	18,000		9,000	9,000	9,000	18,000	
MUL48HP230V1R32AO	9K+9K+9K+24K	8,471	8,471	8,471	22,588		8,471	8,471	8,471	22,588	
MUL48HP230V1R32AO	9K+9K+12K+12K	9,000	9,000	12,000	12,000		9,000	9,000	12,000	12,000	
MUL48HP230V1R32AO	9K+9K+12K+18K	9,000	9,000	12,000	18,000		9,000	9,000	12,000	18,000	
MUL48HP230V1R32AO	9K+9K+12K+24K	8,000	8,000	10,667	21,333		8,000	8,000	10,667	21,333	
MUL48HP230V1R32AO	9K+9K+18K+18K	8,000	8,000	16,000	16,000		8,000	8,000	16,000	16,000	
MUL48HP230V1R32AO	9K+9K+18K+24K	7,200	7,200	14,400	19,200		7,200	7,200	14,400	19,200	
MUL48HP230V1R32AO	9K+9K+24K+24K	6,545	6,545	17,455	17,455		6,545	6,545	17,455	17,455	
MUL48HP230V1R32AO	9K+12K+12K+12K	9,000	12,000	12,000	12,000		9,000	12,000	12,000	12,000	
MUL48HP230V1R32AO	9K+12K+12K+18K	8,471	11,294	11,294	16,941		8,471	11,294	11,294	16,941	
MUL48HP230V1R32AO	9K+12K+12K+24K	7,579	10,105	10,105	20,211		7,579	10,105	10,105	20,211	
MUL48HP230V1R32AO	9K+12K+18K+18K	7,579	10,105	15,158	15,158		7,579	10,105	15,158	15,158	
MUL48HP230V1R32AO	9K+12K+18K+24K	6,857	9,143	13,714	18,286		6,857	9,143	13,714	18,286	
MUL48HP230V1R32AO	9K+12K+24K+24K	6,261	8,348	16,696	16,696		6,261	8,348	16,696	16,696	
MUL48HP230V1R32AO	9K+18K+18K+18K	6,857	13,714	13,714	13,714		6,857	13,714	13,714	13,714	
MUL48HP230V1R32AO	9K+18K+18K+24K	6,261	12,522	12,522	16,696		6,261	12,522	12,522	16,696	
MUL48HP230V1R32AO	12K+12K+12K+12K	12,000	12,000	12,000	12,000		12,000	12,000	12,000	12,000	
MUL48HP230V1R32AO	12K+12K+12K+18K	10,667	10,667	10,667	16,000		10,667	10,667	10,667	16,000	
MUL48HP230V1R32AO	12K+12K+12K+24K	9,600	9,600	9,600	19,200		9,600	9,600	9,600	19,200	
MUL48HP230V1R32AO	12K+12K+18K+18K	9,600	9,600	14,400	14,400		9,600	9,600	14,400	14,400	
MUL48HP230V1R32AO	12K+12K+18K+24K	8,727	8,727	13,091	17,455		8,727	8,727	13,091	17,455	
MUL48HP230V1R32AO	12K+12K+24K+24K	8,000	8,000	16,000	16,000		8,000	8,000	16,000	16,000	
MUL48HP230V1R32AO	12K+18K+18K+18K	8,727	13,091	13,091	13,091		8,727	13,091	13,091	13,091	

MODEL NUMBER	POSSIBLE COMBINATIONS*	COOLING CAPACITY (Btu/h)					HEATING CAPACITY (Btu/h)				
		ZONE1	ZONE2	ZONE3	ZONE4	ZONE5	ZONE1	ZONE2	ZONE3	ZONE4	ZONE5
MUL48HP230V1R32AO	12K+18K+18K+24K	8,000	12,000	12,000	16,000		8,000	12,000	12,000	16,000	
MUL48HP230V1R32AO	18K+18K+18K+18K	12,000	12,000	12,000	12,000		12,000	12,000	12,000	12,000	
MUL48HP230V1R32AO	5K+5K+5K+5K+5K	5,000	5,000	5,000	5,000	5,000	5,000	5,000	5,000	5,000	5,000
MUL48HP230V1R32AO	5K+5K+5K+5K+7K	5,000	5,000	5,000	5,000	7,000	5,000	5,000	5,000	5,000	7,000
MUL48HP230V1R32AO	5K+5K+5K+5K+9K	5,000	5,000	5,000	5,000	9,000	5,000	5,000	5,000	5,000	9,000
MUL48HP230V1R32AO	5K+5K+5K+5K+12K	5,000	5,000	5,000	5,000	12,000	5,000	5,000	5,000	5,000	12,000
MUL48HP230V1R32AO	5K+5K+5K+5K+18K	5,000	5,000	5,000	5,000	18,000	5,000	5,000	5,000	5,000	18,000
MUL48HP230V1R32AO	5K+5K+5K+5K+24K	5,000	5,000	5,000	5,000	24,000	5,000	5,000	5,000	5,000	24,000
MUL48HP230V1R32AO	5K+5K+5K+7K+7K	5,000	5,000	5,000	7,000	7,000	5,000	5,000	5,000	7,000	7,000
MUL48HP230V1R32AO	5K+5K+5K+7K+9K	5,000	5,000	5,000	7,000	9,000	5,000	5,000	5,000	7,000	9,000
MUL48HP230V1R32AO	5K+5K+5K+7K+12K	5,000	5,000	5,000	7,000	12,000	5,000	5,000	5,000	7,000	12,000
MUL48HP230V1R32AO	5K+5K+5K+7K+18K	5,000	5,000	5,000	7,000	18,000	5,000	5,000	5,000	7,000	18,000
MUL48HP230V1R32AO	5K+5K+5K+7K+24K	5,000	5,000	5,000	7,000	24,000	5,000	5,000	5,000	7,000	24,000
MUL48HP230V1R32AO	5K+5K+5K+9K+9K	5,000	5,000	5,000	9,000	9,000	5,000	5,000	5,000	9,000	9,000
MUL48HP230V1R32AO	5K+5K+5K+9K+12K	5,000	5,000	5,000	9,000	12,000	5,000	5,000	5,000	9,000	12,000
MUL48HP230V1R32AO	5K+5K+5K+9K+18K	5,000	5,000	5,000	9,000	18,000	5,000	5,000	5,000	9,000	18,000
MUL48HP230V1R32AO	5K+5K+5K+9K+24K	5,000	5,000	5,000	9,000	24,000	5,000	5,000	5,000	9,000	24,000
MUL48HP230V1R32AO	5K+5K+5K+12K+12K	5,000	5,000	5,000	12,000	12,000	5,000	5,000	5,000	12,000	12,000
MUL48HP230V1R32AO	5K+5K+5K+12K+18K	5,000	5,000	5,000	12,000	18,000	5,000	5,000	5,000	12,000	18,000
MUL48HP230V1R32AO	5K+5K+5K+12K+24K	4,706	4,706	4,706	11,294	22,588	4,706	4,706	4,706	11,294	22,588
MUL48HP230V1R32AO	5K+5K+5K+18K+18K	4,706	4,706	4,706	16,941	16,941	4,706	4,706	4,706	16,941	16,941
MUL48HP230V1R32AO	5K+5K+5K+18K+24K	4,211	4,211	4,211	15,158	20,211	4,211	4,211	4,211	15,158	20,211
MUL48HP230V1R32AO	5K+5K+5K+24K+24K	3,810	3,810	3,810	18,286	18,286	3,810	3,810	3,810	18,286	18,286
MUL48HP230V1R32AO	5K+5K+7K+7K+7K	5,000	5,000	7,000	7,000	7,000	5,000	5,000	7,000	7,000	7,000
MUL48HP230V1R32AO	5K+5K+7K+7K+9K	5,000	5,000	7,000	7,000	9,000	5,000	5,000	7,000	7,000	9,000
MUL48HP230V1R32AO	5K+5K+7K+7K+12K	5,000	5,000	7,000	7,000	12,000	5,000	5,000	7,000	7,000	12,000
MUL48HP230V1R32AO	5K+5K+7K+7K+18K	5,000	5,000	7,000	7,000	18,000	5,000	5,000	7,000	7,000	18,000
MUL48HP230V1R32AO	5K+5K+7K+7K+24K	5,000	5,000	7,000	7,000	24,000	5,000	5,000	7,000	7,000	24,000
MUL48HP230V1R32AO	5K+5K+7K+9K+9K	5,000	5,000	7,000	9,000	9,000	5,000	5,000	7,000	9,000	9,000
MUL48HP230V1R32AO	5K+5K+7K+9K+12K	5,000	5,000	7,000	9,000	12,000	5,000	5,000	7,000	9,000	12,000
MUL48HP230V1R32AO	5K+5K+7K+9K+18K	5,000	5,000	7,000	9,000	18,000	5,000	5,000	7,000	9,000	18,000
MUL48HP230V1R32AO	5K+5K+7K+9K+24K	4,800	4,800	6,720	8,640	23,040	4,800	4,800	6,720	8,640	23,040
MUL48HP230V1R32AO	5K+5K+7K+12K+12K	5,000	5,000	7,000	12,000	12,000	5,000	5,000	7,000	12,000	12,000
MUL48HP230V1R32AO	5K+5K+7K+12K+18K	5,000	5,000	7,000	12,000	18,000	5,000	5,000	7,000	12,000	18,000
MUL48HP230V1R32AO	5K+5K+7K+12K+24K	4,528	4,528	6,340	10,868	21,736	4,528	4,528	6,340	10,868	21,736
MUL48HP230V1R32AO	5K+5K+7K+18K+18K	4,528	4,528	6,340	16,302	16,302	4,528	4,528	6,340	16,302	16,302
MUL48HP230V1R32AO	5K+5K+7K+18K+24K	4,068	4,068	5,695	14,644	19,525	4,068	4,068	5,695	14,644	19,525
MUL48HP230V1R32AO	5K+5K+7K+24K+24K	3,692	3,692	5,169	17,723	17,723	3,692	3,692	5,169	17,723	17,723
MUL48HP230V1R32AO	5K+5K+9K+9K+9K	5,000	5,000	9,000	9,000	9,000	5,000	5,000	9,000	9,000	9,000
MUL48HP230V1R32AO	5K+5K+9K+9K+12K	5,000	5,000	9,000	9,000	12,000	5,000	5,000	9,000	9,000	12,000
MUL48HP230V1R32AO	5K+5K+9K+9K+18K	5,000	5,000	9,000	9,000	18,000	5,000	5,000	9,000	9,000	18,000
MUL48HP230V1R32AO	5K+5K+9K+9K+24K	4,615	4,615	8,308	8,308	22,154	4,615	4,615	8,308	8,308	22,154
MUL48HP230V1R32AO	5K+5K+9K+12K+12K	5,000	5,000	9,000	12,000	12,000	5,000	5,000	9,000	12,000	12,000

MODEL NUMBER	POSSIBLE COMBINATIONS*	COOLING CAPACITY (Btu/h)					HEATING CAPACITY (Btu/h)				
		ZONE1	ZONE2	ZONE3	ZONE4	ZONE5	ZONE1	ZONE2	ZONE3	ZONE4	ZONE5
MUL48HP230V1R32AO	5K+5K+9K+12K+18K	4,898	4,898	8,816	11,755	17,633	4,898	4,898	8,816	11,755	17,633
MUL48HP230V1R32AO	5K+5K+9K+12K+24K	4,364	4,364	7,855	10,473	20,945	4,364	4,364	7,855	10,473	20,945
MUL48HP230V1R32AO	5K+5K+9K+18K+18K	4,364	4,364	7,855	15,709	15,709	4,364	4,364	7,855	15,709	15,709
MUL48HP230V1R32AO	5K+5K+9K+18K+24K	3,934	3,934	7,082	14,164	18,885	3,934	3,934	7,082	14,164	18,885
MUL48HP230V1R32AO	5K+5K+9K+24K+24K	3,582	3,582	6,448	17,194	17,194	3,582	3,582	6,448	17,194	17,194
MUL48HP230V1R32AO	5K+5K+12K+12K+12K	5,000	5,000	12,000	12,000	12,000	5,000	5,000	12,000	12,000	12,000
MUL48HP230V1R32AO	5K+5K+12K+12K+18K	4,615	4,615	11,077	11,077	16,615	4,615	4,615	11,077	11,077	16,615
MUL48HP230V1R32AO	5K+5K+12K+12K+24K	4,138	4,138	9,931	9,931	19,862	4,138	4,138	9,931	9,931	19,862
MUL48HP230V1R32AO	5K+5K+12K+18K+18K	4,138	4,138	9,931	14,897	14,897	4,138	4,138	9,931	14,897	14,897
MUL48HP230V1R32AO	5K+5K+12K+18K+24K	3,750	3,750	9,000	13,500	18,000	3,750	3,750	9,000	13,500	18,000
MUL48HP230V1R32AO	5K+5K+12K+24K+24K	3,429	3,429	8,229	16,457	16,457	3,429	3,429	8,229	16,457	16,457
MUL48HP230V1R32AO	5K+5K+18K+18K+18K	3,750	3,750	13,500	13,500	13,500	3,750	3,750	13,500	13,500	13,500
MUL48HP230V1R32AO	5K+5K+18K+18K+24K	3,429	3,429	12,343	12,343	16,457	3,429	3,429	12,343	12,343	16,457
MUL48HP230V1R32AO	5K+7K+7K+7K+7K	5,000	7,000	7,000	7,000	7,000	5,000	7,000	7,000	7,000	7,000
MUL48HP230V1R32AO	5K+7K+7K+7K+9K	5,000	7,000	7,000	7,000	9,000	5,000	7,000	7,000	7,000	9,000
MUL48HP230V1R32AO	5K+7K+7K+7K+12K	5,000	7,000	7,000	7,000	12,000	5,000	7,000	7,000	7,000	12,000
MUL48HP230V1R32AO	5K+7K+7K+7K+18K	5,000	7,000	7,000	7,000	18,000	5,000	7,000	7,000	7,000	18,000
MUL48HP230V1R32AO	5K+7K+7K+7K+24K	4,800	6,720	6,720	6,720	23,040	4,800	6,720	6,720	6,720	23,040
MUL48HP230V1R32AO	5K+7K+7K+9K+9K	5,000	7,000	7,000	9,000	9,000	5,000	7,000	7,000	9,000	9,000
MUL48HP230V1R32AO	5K+7K+7K+9K+12K	5,000	7,000	7,000	9,000	12,000	5,000	7,000	7,000	9,000	12,000
MUL48HP230V1R32AO	5K+7K+7K+9K+18K	5,000	7,000	7,000	9,000	18,000	5,000	7,000	7,000	9,000	18,000
MUL48HP230V1R32AO	5K+7K+7K+9K+24K	4,615	6,462	6,462	8,308	22,154	4,615	6,462	6,462	8,308	22,154
MUL48HP230V1R32AO	5K+7K+7K+12K+12K	5,000	7,000	7,000	12,000	12,000	5,000	7,000	7,000	12,000	12,000
MUL48HP230V1R32AO	5K+7K+7K+12K+18K	4,898	6,857	6,857	11,755	17,633	4,898	6,857	6,857	11,755	17,633
MUL48HP230V1R32AO	5K+7K+7K+12K+24K	4,364	6,109	6,109	10,473	20,945	4,364	6,109	6,109	10,473	20,945
MUL48HP230V1R32AO	5K+7K+7K+18K+18K	4,364	6,109	6,109	15,709	15,709	4,364	6,109	6,109	15,709	15,709
MUL48HP230V1R32AO	5K+7K+7K+18K+24K	3,934	5,508	5,508	14,164	18,885	3,934	5,508	5,508	14,164	18,885
MUL48HP230V1R32AO	5K+7K+7K+24K+24K	3,582	5,015	5,015	17,194	17,194	3,582	5,015	5,015	17,194	17,194
MUL48HP230V1R32AO	5K+7K+9K+9K+9K	5,000	7,000	9,000	9,000	9,000	5,000	7,000	9,000	9,000	9,000
MUL48HP230V1R32AO	5K+7K+9K+9K+12K	5,000	7,000	9,000	9,000	12,000	5,000	7,000	9,000	9,000	12,000
MUL48HP230V1R32AO	5K+7K+9K+9K+18K	5,000	7,000	9,000	9,000	18,000	5,000	7,000	9,000	9,000	18,000
MUL48HP230V1R32AO	5K+7K+9K+9K+24K	4,444	6,222	8,000	8,000	21,333	4,444	6,222	8,000	8,000	21,333
MUL48HP230V1R32AO	5K+7K+9K+12K+12K	5,000	7,000	9,000	12,000	12,000	5,000	7,000	9,000	12,000	12,000
MUL48HP230V1R32AO	5K+7K+9K+12K+18K	4,706	6,588	8,471	11,294	16,941	4,706	6,588	8,471	11,294	16,941
MUL48HP230V1R32AO	5K+7K+9K+12K+24K	4,211	5,895	7,579	10,105	20,211	4,211	5,895	7,579	10,105	20,211
MUL48HP230V1R32AO	5K+7K+9K+18K+18K	4,211	5,895	7,579	15,158	15,158	4,211	5,895	7,579	15,158	15,158
MUL48HP230V1R32AO	5K+7K+9K+18K+24K	3,810	5,333	6,857	13,714	18,286	3,810	5,333	6,857	13,714	18,286
MUL48HP230V1R32AO	5K+7K+9K+24K+24K	3,478	4,870	6,261	16,696	16,696	3,478	4,870	6,261	16,696	16,696
MUL48HP230V1R32AO	5K+7K+12K+12K+12K	5,000	7,000	12,000	12,000	12,000	5,000	7,000	12,000	12,000	12,000
MUL48HP230V1R32AO	5K+7K+12K+12K+18K	4,444	6,222	10,667	10,667	16,000	4,444	6,222	10,667	10,667	16,000
MUL48HP230V1R32AO	5K+7K+12K+12K+24K	4,000	5,600	9,600	9,600	19,200	4,000	5,600	9,600	9,600	19,200
MUL48HP230V1R32AO	5K+7K+12K+18K+18K	4,000	5,600	9,600	14,400	14,400	4,000	5,600	9,600	14,400	14,400
MUL48HP230V1R32AO	5K+7K+12K+18K+24K	3,636	5,091	8,727	13,091	17,455	3,636	5,091	8,727	13,091	17,455

MODEL NUMBER	POSSIBLE COMBINATIONS*	COOLING CAPACITY (Btu/h)					HEATING CAPACITY (Btu/h)				
		ZONE1	ZONE2	ZONE3	ZONE4	ZONE5	ZONE1	ZONE2	ZONE3	ZONE4	ZONE5
MUL48HP230V1R32AO	5K+7K+12K+24K+24K	3,333	4,667	8,000	16,000	16,000	3,333	4,667	8,000	16,000	16,000
MUL48HP230V1R32AO	5K+7K+18K+18K+18K	3,636	5,091	13,091	13,091	13,091	3,636	5,091	13,091	13,091	13,091
MUL48HP230V1R32AO	5K+7K+18K+18K+24K	3,333	4,667	12,000	12,000	16,000	3,333	4,667	12,000	12,000	16,000
MUL48HP230V1R32AO	5K+9K+9K+9K+9K	5,000	9,000	9,000	9,000	9,000	5,000	9,000	9,000	9,000	9,000
MUL48HP230V1R32AO	5K+9K+9K+9K+12K	5,000	9,000	9,000	9,000	12,000	5,000	9,000	9,000	9,000	12,000
MUL48HP230V1R32AO	5K+9K+9K+9K+18K	4,800	8,640	8,640	8,640	17,280	4,800	8,640	8,640	8,640	17,280
MUL48HP230V1R32AO	5K+9K+9K+9K+24K	4,286	7,714	7,714	7,714	20,571	4,286	7,714	7,714	7,714	20,571
MUL48HP230V1R32AO	5K+9K+9K+12K+12K	5,000	9,000	9,000	12,000	12,000	5,000	9,000	9,000	12,000	12,000
MUL48HP230V1R32AO	5K+9K+9K+12K+18K	4,528	8,151	8,151	10,868	16,302	4,528	8,151	8,151	10,868	16,302
MUL48HP230V1R32AO	5K+9K+9K+12K+24K	4,068	7,322	7,322	9,763	19,525	4,068	7,322	7,322	9,763	19,525
MUL48HP230V1R32AO	5K+9K+9K+18K+18K	4,068	7,322	7,322	14,644	14,644	4,068	7,322	7,322	14,644	14,644
MUL48HP230V1R32AO	5K+9K+9K+18K+24K	3,692	6,646	6,646	13,292	17,723	3,692	6,646	6,646	13,292	17,723
MUL48HP230V1R32AO	5K+9K+9K+24K+24K	3,380	6,085	6,085	16,225	16,225	3,380	6,085	6,085	16,225	16,225
MUL48HP230V1R32AO	5K+9K+12K+12K+12K	4,800	8,640	11,520	11,520	11,520	4,800	8,640	11,520	11,520	11,520
MUL48HP230V1R32AO	5K+9K+12K+12K+18K	4,286	7,714	10,286	10,286	15,429	4,286	7,714	10,286	10,286	15,429
MUL48HP230V1R32AO	5K+9K+12K+12K+24K	3,871	6,968	9,290	9,290	18,581	3,871	6,968	9,290	9,290	18,581
MUL48HP230V1R32AO	5K+9K+12K+18K+18K	3,871	6,968	9,290	13,935	13,935	3,871	6,968	9,290	13,935	13,935
MUL48HP230V1R32AO	5K+9K+12K+18K+24K	3,529	6,353	8,471	12,706	16,941	3,529	6,353	8,471	12,706	16,941
MUL48HP230V1R32AO	5K+9K+18K+18K+18K	3,529	6,353	12,706	12,706	12,706	3,529	6,353	12,706	12,706	12,706
MUL48HP230V1R32AO	5K+12K+12K+12K+12K	4,528	10,868	10,868	10,868	10,868	4,528	10,868	10,868	10,868	10,868
MUL48HP230V1R32AO	5K+12K+12K+12K+18K	4,068	9,763	9,763	9,763	14,644	4,068	9,763	9,763	9,763	14,644
MUL48HP230V1R32AO	5K+12K+12K+12K+24K	3,692	8,862	8,862	8,862	17,723	3,692	8,862	8,862	8,862	17,723
MUL48HP230V1R32AO	5K+12K+12K+18K+18K	3,692	8,862	8,862	13,292	13,292	3,692	8,862	8,862	13,292	13,292
MUL48HP230V1R32AO	5K+12K+12K+18K+24K	3,380	8,113	8,113	12,169	16,225	3,380	8,113	8,113	12,169	16,225
MUL48HP230V1R32AO	5K+12K+18K+18K+18K	3,380	8,113	12,169	12,169	12,169	3,380	8,113	12,169	12,169	12,169
MUL48HP230V1R32AO	5K+18K+18K+18K+18K	3,117	11,221	11,221	11,221	11,221	3,117	11,221	11,221	11,221	11,221
MUL48HP230V1R32AO	7K+7K+7K+7K+7K	7,000	7,000	7,000	7,000	7,000	7,000	7,000	7,000	7,000	7,000
MUL48HP230V1R32AO	7K+7K+7K+7K+9K	7,000	7,000	7,000	7,000	9,000	7,000	7,000	7,000	7,000	9,000
MUL48HP230V1R32AO	7K+7K+7K+7K+12K	7,000	7,000	7,000	7,000	12,000	7,000	7,000	7,000	7,000	12,000
MUL48HP230V1R32AO	7K+7K+7K+7K+18K	7,000	7,000	7,000	7,000	18,000	7,000	7,000	7,000	7,000	18,000
MUL48HP230V1R32AO	7K+7K+7K+7K+24K	6,462	6,462	6,462	6,462	22,154	6,462	6,462	6,462	6,462	22,154
MUL48HP230V1R32AO	7K+7K+7K+9K+9K	7,000	7,000	7,000	9,000	9,000	7,000	7,000	7,000	9,000	9,000
MUL48HP230V1R32AO	7K+7K+7K+9K+12K	7,000	7,000	7,000	9,000	12,000	7,000	7,000	7,000	9,000	12,000
MUL48HP230V1R32AO	7K+7K+7K+9K+18K	7,000	7,000	7,000	9,000	18,000	7,000	7,000	7,000	9,000	18,000
MUL48HP230V1R32AO	7K+7K+7K+9K+24K	6,222	6,222	6,222	8,000	21,333	6,222	6,222	6,222	8,000	21,333
MUL48HP230V1R32AO	7K+7K+7K+12K+12K	7,000	7,000	7,000	12,000	12,000	7,000	7,000	7,000	12,000	12,000
MUL48HP230V1R32AO	7K+7K+7K+12K+18K	6,588	6,588	6,588	11,294	16,941	6,588	6,588	6,588	11,294	16,941
MUL48HP230V1R32AO	7K+7K+7K+12K+24K	5,895	5,895	5,895	10,105	20,211	5,895	5,895	5,895	10,105	20,211
MUL48HP230V1R32AO	7K+7K+7K+18K+18K	5,895	5,895	5,895	15,158	15,158	5,895	5,895	5,895	15,158	15,158
MUL48HP230V1R32AO	7K+7K+7K+18K+24K	5,333	5,333	5,333	13,714	18,286	5,333	5,333	5,333	13,714	18,286
MUL48HP230V1R32AO	7K+7K+7K+24K+24K	4,870	4,870	4,870	16,696	16,696	4,870	4,870	4,870	16,696	16,696
MUL48HP230V1R32AO	7K+7K+9K+9K+9K	7,000	7,000	9,000	9,000	9,000	7,000	7,000	9,000	9,000	9,000
MUL48HP230V1R32AO	7K+7K+9K+9K+12K	7,000	7,000	9,000	9,000	12,000	7,000	7,000	9,000	9,000	12,000

MODEL NUMBER	POSSIBLE COMBINATIONS*	COOLING CAPACITY (Btu/h)					HEATING CAPACITY (Btu/h)				
		ZONE1	ZONE2	ZONE3	ZONE4	ZONE5	ZONE1	ZONE2	ZONE3	ZONE4	ZONE5
MUL48HP230V1R32AO	7K+7K+9K+9K+18K	6,720	6,720	8,640	8,640	17,280	6,720	6,720	8,640	8,640	17,280
MUL48HP230V1R32AO	7K+7K+9K+9K+24K	6,000	6,000	7,714	7,714	20,571	6,000	6,000	7,714	7,714	20,571
MUL48HP230V1R32AO	7K+7K+9K+12K+12K	7,000	7,000	9,000	12,000	12,000	7,000	7,000	9,000	12,000	12,000
MUL48HP230V1R32AO	7K+7K+9K+12K+18K	6,340	6,340	8,151	10,868	16,302	6,340	6,340	8,151	10,868	16,302
MUL48HP230V1R32AO	7K+7K+9K+12K+24K	5,695	5,695	7,322	9,763	19,525	5,695	5,695	7,322	9,763	19,525
MUL48HP230V1R32AO	7K+7K+9K+18K+18K	5,695	5,695	7,322	14,644	14,644	5,695	5,695	7,322	14,644	14,644
MUL48HP230V1R32AO	7K+7K+9K+18K+24K	5,169	5,169	6,646	13,292	17,723	5,169	5,169	6,646	13,292	17,723
MUL48HP230V1R32AO	7K+7K+9K+24K+24K	4,732	4,732	6,085	16,225	16,225	4,732	4,732	6,085	16,225	16,225
MUL48HP230V1R32AO	7K+7K+12K+12K+12K	6,720	6,720	11,520	11,520	11,520	6,720	6,720	11,520	11,520	11,520
MUL48HP230V1R32AO	7K+7K+12K+12K+18K	6,000	6,000	10,286	10,286	15,429	6,000	6,000	10,286	10,286	15,429
MUL48HP230V1R32AO	7K+7K+12K+12K+24K	5,419	5,419	9,290	9,290	18,581	5,419	5,419	9,290	9,290	18,581
MUL48HP230V1R32AO	7K+7K+12K+18K+18K	5,419	5,419	9,290	13,935	13,935	5,419	5,419	9,290	13,935	13,935
MUL48HP230V1R32AO	7K+7K+12K+18K+24K	4,941	4,941	8,471	12,706	16,941	4,941	4,941	8,471	12,706	16,941
MUL48HP230V1R32AO	7K+7K+12K+24K+24K	4,541	4,541	7,784	15,568	15,568	4,541	4,541	7,784	15,568	15,568
MUL48HP230V1R32AO	7K+7K+18K+18K+18K	4,941	4,941	12,706	12,706	12,706	4,941	4,941	12,706	12,706	12,706
MUL48HP230V1R32AO	7K+7K+18K+18K+24K	4,541	4,541	11,676	11,676	15,568	4,541	4,541	11,676	11,676	15,568
MUL48HP230V1R32AO	7K+9K+9K+9K+9K	7,000	9,000	9,000	9,000	9,000	7,000	9,000	9,000	9,000	9,000
MUL48HP230V1R32AO	7K+9K+9K+9K+12K	7,000	9,000	9,000	9,000	12,000	7,000	9,000	9,000	9,000	12,000
MUL48HP230V1R32AO	7K+9K+9K+9K+18K	6,462	8,308	8,308	8,308	16,615	6,462	8,308	8,308	8,308	16,615
MUL48HP230V1R32AO	7K+9K+9K+9K+24K	5,793	7,448	7,448	7,448	19,862	5,793	7,448	7,448	7,448	19,862
MUL48HP230V1R32AO	7K+9K+9K+12K+12K	6,857	8,816	8,816	11,755	11,755	6,857	8,816	8,816	11,755	11,755
MUL48HP230V1R32AO	7K+9K+9K+12K+18K	6,109	7,855	7,855	10,473	15,709	6,109	7,855	7,855	10,473	15,709
MUL48HP230V1R32AO	7K+9K+9K+12K+24K	5,508	7,082	7,082	9,443	18,885	5,508	7,082	7,082	9,443	18,885
MUL48HP230V1R32AO	7K+9K+9K+18K+18K	5,508	7,082	7,082	14,164	14,164	5,508	7,082	7,082	14,164	14,164
MUL48HP230V1R32AO	7K+9K+9K+18K+24K	5,015	6,448	6,448	12,896	17,194	5,015	6,448	6,448	12,896	17,194
MUL48HP230V1R32AO	7K+9K+9K+24K+24K	4,603	5,918	5,918	15,781	15,781	4,603	5,918	5,918	15,781	15,781
MUL48HP230V1R32AO	7K+9K+12K+12K+12K	6,462	8,308	11,077	11,077	11,077	6,462	8,308	11,077	11,077	11,077
MUL48HP230V1R32AO	7K+9K+12K+12K+18K	5,793	7,448	9,931	9,931	14,897	5,793	7,448	9,931	9,931	14,897
MUL48HP230V1R32AO	7K+9K+12K+12K+24K	5,250	6,750	9,000	9,000	18,000	5,250	6,750	9,000	9,000	18,000
MUL48HP230V1R32AO	7K+9K+12K+18K+18K	5,250	6,750	9,000	13,500	13,500	5,250	6,750	9,000	13,500	13,500
MUL48HP230V1R32AO	7K+9K+12K+18K+24K	4,800	6,171	8,229	12,343	16,457	4,800	6,171	8,229	12,343	16,457
MUL48HP230V1R32AO	7K+9K+12K+24K+24K	4,421	5,684	7,579	15,158	15,158	4,421	5,684	7,579	15,158	15,158
MUL48HP230V1R32AO	7K+9K+18K+18K+18K	4,800	6,171	12,343	12,343	12,343	4,800	6,171	12,343	12,343	12,343
MUL48HP230V1R32AO	7K+9K+18K+18K+24K	4,421	5,684	11,368	11,368	15,158	4,421	5,684	11,368	11,368	15,158
MUL48HP230V1R32AO	7K+12K+12K+12K+12K	6,109	10,473	10,473	10,473	10,473	6,109	10,473	10,473	10,473	10,473
MUL48HP230V1R32AO	7K+12K+12K+12K+18K	5,508	9,443	9,443	9,443	14,164	5,508	9,443	9,443	9,443	14,164
MUL48HP230V1R32AO	7K+12K+12K+12K+24K	5,015	8,597	8,597	8,597	17,194	5,015	8,597	8,597	8,597	17,194
MUL48HP230V1R32AO	7K+12K+12K+18K+18K	5,015	8,597	8,597	12,896	12,896	5,015	8,597	8,597	12,896	12,896
MUL48HP230V1R32AO	7K+12K+12K+18K+24K	4,603	7,890	7,890	11,836	15,781	4,603	7,890	7,890	11,836	15,781
MUL48HP230V1R32AO	7K+12K+18K+18K+18K	4,603	7,890	11,836	11,836	11,836	4,603	7,890	11,836	11,836	11,836
MUL48HP230V1R32AO	7K+12K+18K+18K+24K	4,253	7,291	10,937	10,937	14,582	4,253	7,291	10,937	10,937	14,582
MUL48HP230V1R32AO	7K+18K+18K+18K+18K	4,253	10,937	10,937	10,937	10,937	4,253	10,937	10,937	10,937	10,937
MUL48HP230V1R32AO	9K+9K+9K+9K+9K	9,000	9,000	9,000	9,000	9,000	9,000	9,000	9,000	9,000	9,000

MODEL NUMBER	POSSIBLE COMBINATIONS*	COOLING CAPACITY (Btu/h)					HEATING CAPACITY (Btu/h)				
		ZONE1	ZONE2	ZONE3	ZONE4	ZONE5	ZONE1	ZONE2	ZONE3	ZONE4	ZONE5
MUL48HP230V1R32AO	9K+9K+9K+9K+12K	9,000	9,000	9,000	9,000	12,000	9,000	9,000	9,000	9,000	12,000
MUL48HP230V1R32AO	9K+9K+9K+9K+18K	8,000	8,000	8,000	8,000	16,000	8,000	8,000	8,000	8,000	16,000
MUL48HP230V1R32AO	9K+9K+9K+9K+24K	7,200	7,200	7,200	7,200	19,200	7,200	7,200	7,200	7,200	19,200
MUL48HP230V1R32AO	9K+9K+9K+12K+12K	8,471	8,471	8,471	11,294	11,294	8,471	8,471	8,471	11,294	11,294
MUL48HP230V1R32AO	9K+9K+9K+12K+18K	7,579	7,579	7,579	10,105	15,158	7,579	7,579	7,579	10,105	15,158
MUL48HP230V1R32AO	9K+9K+9K+12K+24K	6,857	6,857	6,857	9,143	18,286	6,857	6,857	6,857	9,143	18,286
MUL48HP230V1R32AO	9K+9K+9K+18K+18K	6,857	6,857	6,857	13,714	13,714	6,857	6,857	6,857	13,714	13,714
MUL48HP230V1R32AO	9K+9K+9K+18K+24K	6,261	6,261	6,261	12,522	16,696	6,261	6,261	6,261	12,522	16,696
MUL48HP230V1R32AO	9K+9K+12K+12K+12K	8,000	8,000	10,667	10,667	10,667	8,000	8,000	10,667	10,667	10,667
MUL48HP230V1R32AO	9K+9K+12K+12K+18K	7,200	7,200	9,600	9,600	14,400	7,200	7,200	9,600	9,600	14,400
MUL48HP230V1R32AO	9K+9K+12K+12K+24K	6,545	6,545	8,727	8,727	17,455	6,545	6,545	8,727	8,727	17,455
MUL48HP230V1R32AO	9K+9K+12K+18K+18K	6,545	6,545	8,727	13,091	13,091	6,545	6,545	8,727	13,091	13,091
MUL48HP230V1R32AO	9K+9K+12K+18K+24K	6,000	6,000	8,000	12,000	16,000	6,000	6,000	8,000	12,000	16,000
MUL48HP230V1R32AO	9K+9K+18K+18K+18K	6,000	6,000	12,000	12,000	12,000	6,000	6,000	12,000	12,000	12,000
MUL48HP230V1R32AO	9K+12K+12K+12K+12K	7,579	10,105	10,105	10,105	10,105	7,579	10,105	10,105	10,105	10,105
MUL48HP230V1R32AO	9K+12K+12K+12K+18K	6,857	9,143	9,143	9,143	13,714	6,857	9,143	9,143	9,143	13,714
MUL48HP230V1R32AO	9K+12K+12K+12K+24K	6,261	8,348	8,348	8,348	16,696	6,261	8,348	8,348	8,348	16,696
MUL48HP230V1R32AO	9K+12K+12K+18K+18K	6,261	8,348	8,348	12,522	12,522	6,261	8,348	8,348	12,522	12,522
MUL48HP230V1R32AO	9K+12K+18K+18K+18K	5,760	7,680	11,520	11,520	11,520	5,760	7,680	11,520	11,520	11,520
MUL48HP230V1R32AO	12K+12K+12K+12K+12K	9,600	9,600	9,600	9,600	9,600	9,600	9,600	9,600	9,600	9,600
MUL48HP230V1R32AO	12K+12K+12K+12K+18K	8,727	8,727	8,727	8,727	13,091	8,727	8,727	8,727	8,727	13,091
MUL48HP230V1R32AO	12K+12K+12K+12K+24K	8,000	8,000	8,000	8,000	16,000	8,000	8,000	8,000	8,000	16,000
MUL48HP230V1R32AO	12K+12K+12K+18K+18K	8,000	8,000	8,000	12,000	12,000	8,000	8,000	8,000	12,000	12,000

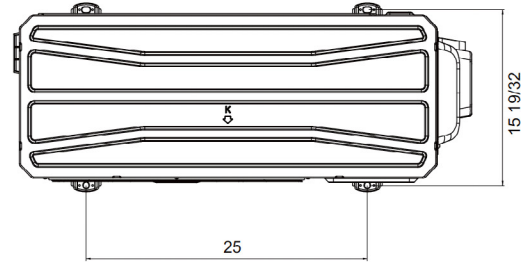
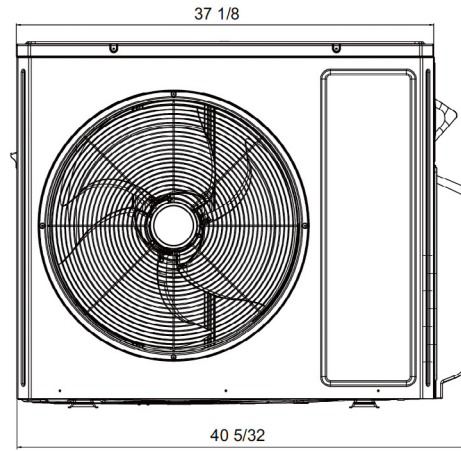
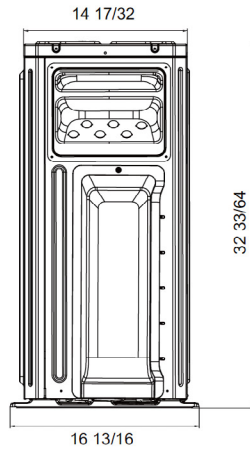
# DIMENSIONS

## OUTDOOR UNIT

Unit: inch

MUL48HP230V1R32AO

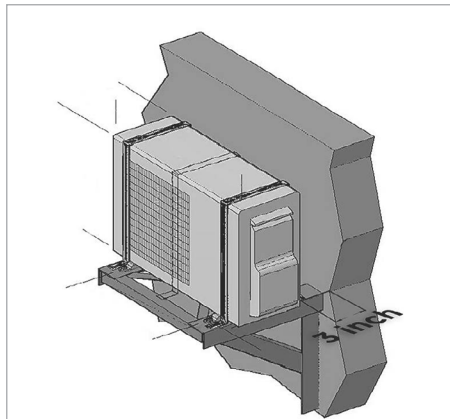
DIMENSIONS



## CLEARANCES

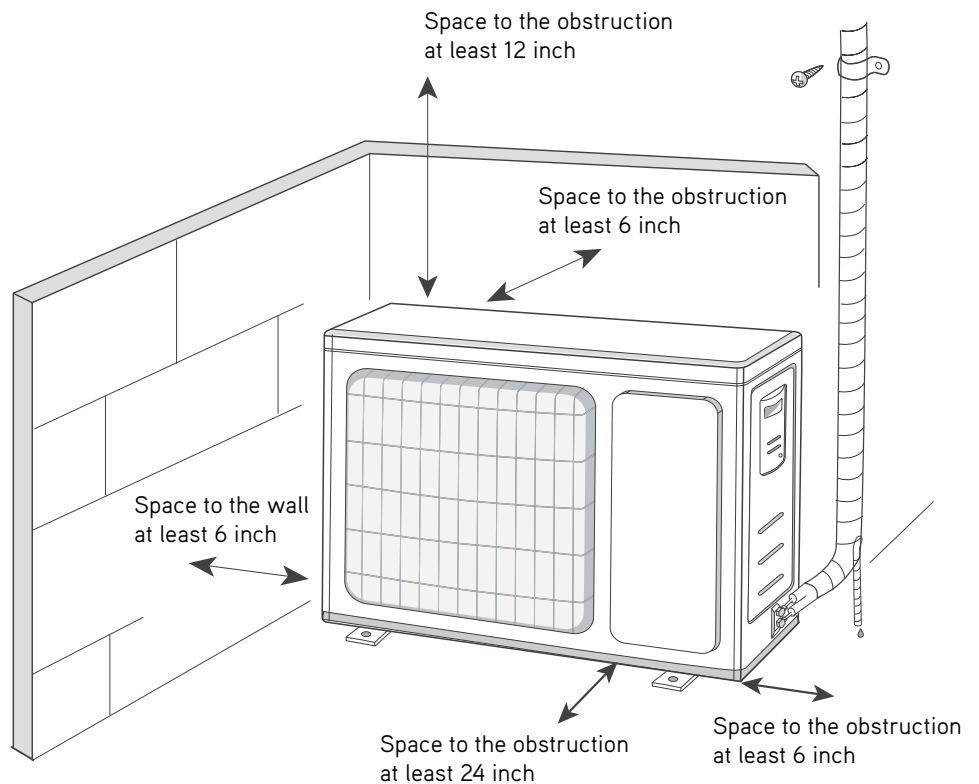
### OUTDOOR UNIT

Minimum clearance



**NOTE:**

If bottom of the unit is free of airflow obstructions similar to the mounting bracket figure, the clearance to the wall on the back can be reduced to 3 inches.



Specifications are subject to change without notice. Manufacturer reserves the right to discontinue or modify specifications or designs without notice or without incurring obligations. All Rights reserved.