



HIGH POWERED. HIGH DESIGN.

This new **Viking RVL Collection** bridges present and future with a fully integrated design that fits seamlessly into surrounding cabinetry. Although its sleek look is decidedly minimal, it boldly conveys Viking performance at a glance. And rest assured, no commercial cooking power was sacrificed for appearance sake. With streamlined silhouettes, a sleek user interface, transitional sizes, and outfitted in stunning black glass or stainless steel with black glass, this collection gives you limitless contemporary design possibilities that will ignite your culinary passions.

MODEL NUMBERS

MVMSP6301BG – 30"W. Combi-Speed Oven (Black Glass)

MVMSP6301SS – 30"W. Combi-Speed Oven (Stainless Steel/Black Glass)

DESIGN AND INSTALLATION FEATURES

- All black glass or stainless steel with black glass front provides a sleek, modern aesthetic that enhances any kitchen design
- Capacitive touch control ensures intuitive operation with a smooth, easy-to-clean interface
- Seamless integration with no bottom venting creates a high-end, built-in look without visible vents disrupting the design
- Minimal product reveals enhance the streamlined, modern aesthetic with reduced visible edges
- Sleek monochromatic chrome handles add a touch of elegance while complementing modern kitchen appliances
- Can be installed flush or integrated, offering flexibility to match various kitchen layouts

COOKING FEATURES

- Traditional Cooking Modes offer versatile options for optimal results:
 - TruConvection ensures even baking by using heat from the rear element and air circulation for single-rack cooking
 - TruConvection Broil combines heat from the lower, upper, and rear elements with air movement for perfectly browned, single-rack roasting
 - Convection Broil uses broil mode and air circulation for searing and browning foods typically cooked on a grill
 - Broil provides direct heat from the upper element for quick, high-temperature cooking
- Microwave Cooking Modes:
 - Defrost by time or weight
 - Microwave cooking
 - Combi microwave/convection cooking
 - Combi microwave/broiling
 - Quick key popcorn and reheat settings



MVMSP6301BG



MVMSP6301SS

- AutoStop counts down cooking time and automatically turns off the oven after up to 12 hours for additional safety
- AutoStart schedules the oven to begin cooking at a preset time for convenience
- Three oven rack positions offer flexibility for multiple cooking needs
- Control panel features a child safety lock, preventing unintended adjustments for added security

WARRANTY

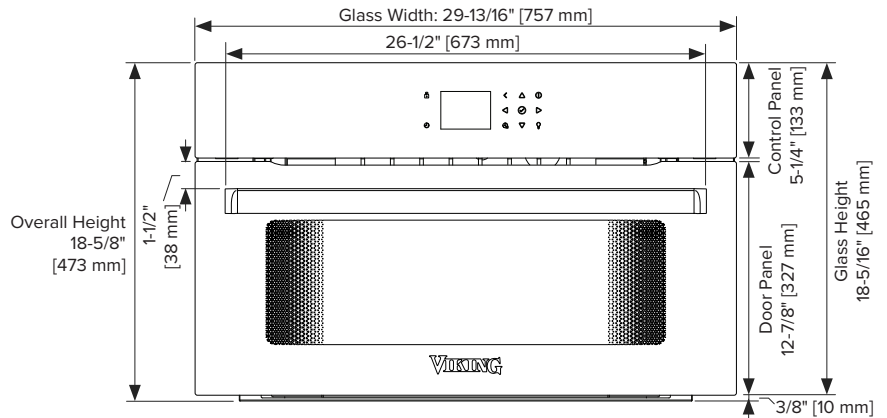
- 2-year full – complete product
- 90-day full – cosmetic parts such as glass, painted items and decorative items
- 5-year limited – electric heating element



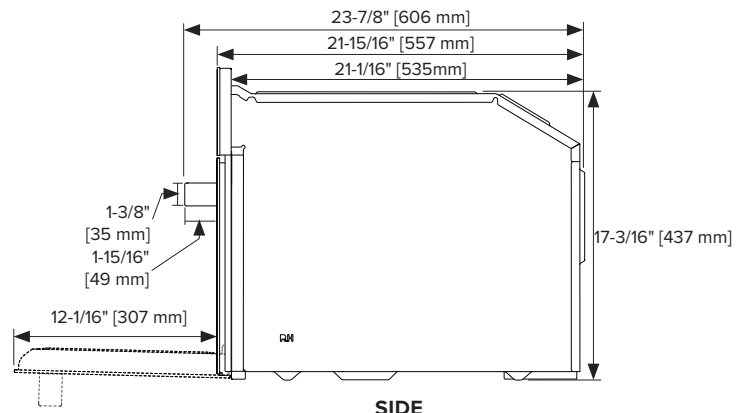
NEW RVL BUILT-IN ELECTRIC COMBI-SPEED OVEN

30" W. MVMSP

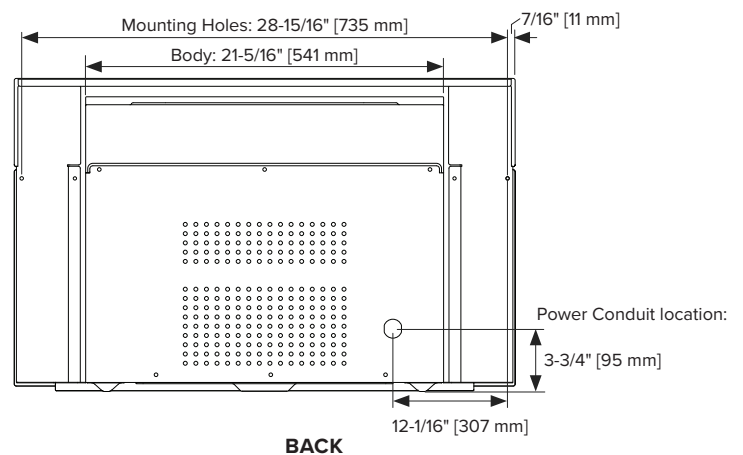
Model	MVMSP6301
Overall Width	29-13/16" (75.72 cm)
Overall Height	18-5/8" (47.34 cm)
Overall Depth	23-7/8" (60.60 cm)
Cutout Width	Standard Mount – 28-1/2" (72.39 cm) Flush Mount – 30-1/16" (76.36 cm)
Cutout Height	Standard and Flush Mount 18-5/16" (46.5 cm)
Cutout Depth	Standard and Flush Mount 23-1/4" (59.06 cm)
Electrical Requirements	Three-wire, single phase, 120/240V, 60 Hz AC electrical supply on a separate circuit fused on both sides of the line.
Maximum Amp Usage	120/240 VAC - 14 amps, 3.4 kW
Broiler Rating	1,500W
Convection Element Rating	2,300W
Microwave Rating	900W
Oven Interior Dimensions	Width – 16-1/4" Height – 8-1/2" Depth – 13-1/4"
Approximate Shipping Weight	90.0 lbs (41 kg)



FRONT



SIDE



BACK

Please do not prepare installation from brochure data only. See installation instructions for important clearance/installation information.

FIND YOUR LOCAL DEALER AT VIKINGRANGE.COM
FOR PRODUCT INFORMATION, CALL 1-888-845-4641 OR VISIT OUR WEBSITE

VIKING RANGE, LLC 111 FRONT STREET GREENWOOD, MS 38930 USA
© 2020 VIKING RANGE, LLC. ALL RIGHTS RESERVED.