



**Product:** 24 INCH UNDER COUNTER DOUBLE DRAWER REFRIGERATOR IN STAINLESS STEEL FOR INDOOR & OUTDOOR

**Model Number:** RF24U

### TECHNICAL DETAILS

Appliance Type	Refrigerator
Color/Finish	Stainless Steel
Refrigerator Capacity	5.4 cu. ft. (152 L)
Gross Weight	133 lbs
Net Weight	119 lbs
Number of Drawers	2
Number of Baskets/Bins	1 Basket
Temperature Range	34°F to 46°F



### FEATURES & BENEFITS

- + **Easy Installation:** Unit available as built-in or freestanding for easy installation in any space.
- + **Convection Cooling System:** Convection cooling system provides a quick cool down and consistent temperature.
- + **Indoor and Outdoor:** Rated for both indoor and outdoor use so add it to your man cave or keep it out by the grill.
- + **Large Storage Space:** 5.4 cubic feet of capacity easily stores all the beverages and more.
- + **Digital Controls:** Digital touch pad with blue LED display makes it easy to adjust temperature settings.
- + **Soft-Close Drawers:** Two soft-close drawers equipped with bright white and blue LED lights to easily find your beverage of choice.
- + **Anti-finger Print Surface:** Stainless steel design offers modern, smudge-free design aesthetic.
- + **Adjustable Leveling Legs:** Four adjustable leveling legs keep the unit balanced regardless of its location.
- + **Quiet Operation:** 44db sound level for supremely quiet operation.

### PRODUCT DIMENSIONS

Depth (Excluding Handles)	24-1/4"
Depth (Excluding Door)	21-1/2"
Product Width	23-9/16"
Depth (Including Handles)	26-7/8"
Product Height	34-1/8"





**BLACK**  
RF24U-BLK



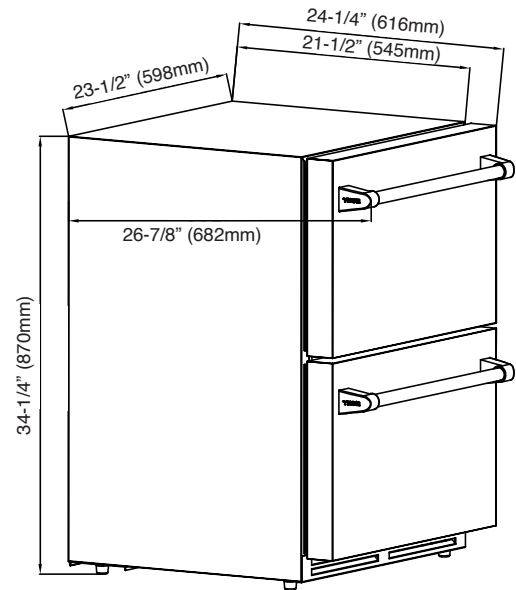
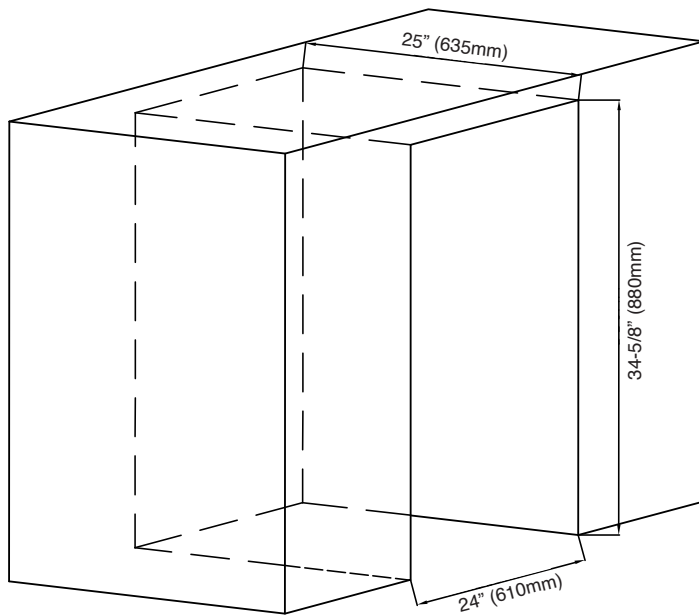
**BLUE**  
RF24U-BLU



**BRONZE**  
RF24U-BRZ



**ROSE GOLD**  
RF24U-RSG



**24 INCH UNDER COUNTER DOUBLE  
DRAWER REFRIGERATOR IN STAINLESS  
STEEL FOR INDOOR & OUTDOOR** **RF24U**

