



Product: 30 INCH PROFESSIONAL ELECTRIC RANGE IN BLACK
Model Number: RSE30PB

TECHNICAL DETAILS

Fuel Type	Electric
Installation Type	Freestanding
Amperage or Current (A)	50A
Volts (V)	240V
Frequency (Hz)	50-60Hz
Control Type	Knob
Plug Type	50 Amp 4-Prong (Not included in the US)

FEATURES & BENEFITS

- + **Smooth Glass Cooktop:** Designed to fit a standard 30-inch opening, this freestanding electric range features a sleek, frameless glass cooktop that sits flush with your countertop for a seamless, modern look. The smooth surface is easy to wipe clean.
- + **Five Radiant Heating Elements:** Enjoy maximum cooking flexibility with five radiant elements, ranging from a gentle 100W warming zone to a powerful 3,000W quick-boil element—perfect for everything from simmering sauces to rapid boiling.
- + **True Convection Fan:** 1,300W convection element with fan to circulate heat evenly for consistent baking and roasting results.
- + **Versatile Cooking Modes:** Choose from multiple cooking modes—including Bake, Convection Bake, Broil, and Convection Broil—to achieve perfect results for any recipe.
- + **White Projector Light on Panel:** The panel is illuminated by a white projector light, ensuring easy visibility and a modern look.
- + **Telescopic Rack:** Telescopic rack use ball bearing rack guides for an effortless glide in and out of the oven and adjusts to fit different rack support levels.
- + **Heavy-Duty Metal Control Knobs:** Commercial-style metal control knobs offer durability, precision control, and a premium professional appearance.
- + **Brilliant Porcelain Interior:** The oven’s striking porcelain interior enhances visibility while delivering a bold, high-end aesthetic.
- + **Color Hardware Kits Choose from Optional:** Interchangeable hardware kits available in multiple finishes to complement your



Specifications subject to change without notice.





STAINLESS STEEL
RSE30PB-SS



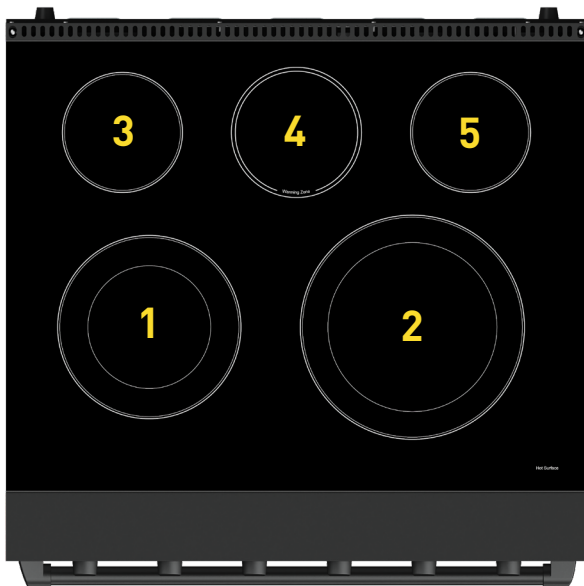
BLUE
RSE30PB-BLU



BRONZE
RSE30PB-BRZ



ROSE GOLD
RSE30PB-RSG



COOKTOP PERFORMANCE

Total Number Of Cooktop Elements	5
(1) Front Left Element (Dual)	3,000W
(2) Front Right Element (Dual)	3,000W
(3) Rear Left Element (Single)	1200W
(4) Rear Middle Element (Single)	100W
(5) Rear Right Element (Single)	1,200W
Total Power Output	8,500W

OVEN PERFORMANCE

Oven Capacity	4.55 cu. ft.
Cooking Modes	Bake, Broil, Convection Bake, Convection Roast
Top Heating Element Power	3,500W
Lower Heating Element	3,500W
Convection	True Convection with 1,300W Heating Element
Oven Lights	1
Oven Racks	Telescopic Rack x1, Standard Rack x1
Oven Rack Material	Chrome Plated
Baking Sheet Size	Fits 23" x 16" Baking sheet
Self Clean (Y/N)	No
Air Fry	No
Oven Internal Width	23-3/4"
Oven Internal Depth	19-1/2"
Oven Internal Height	18-9/16"

Specifications subject to change without notice.

PRODUCT DIMENSIONS & WEIGHTS

Product Dimensions (WxDxH) (in.)	29-3/4" × 27-10/16" × 36-37"
Product Height (From Bottom To Top Of Back Splash) (in.)	36"
Product Height (From Bottom To Top Of Side Panel) (in.)	35"
Product Depth (From Back Panel To Bullnose) (in.)	27"
Product Depth (From Back Panel To Control Panel) (in.)	26"
Product Depth (From Back Panel To Side Panel Front) (in.)	24"
Cutout Dimensions (WxDxH) (in.)	30" × 24-5/8" × 36"
Package Dimensions (WxDxH) (in.)	33-1/16" × 30-1/8" × 44-7/8"
Adjustable Leg	1" Max
Net Weight (lbs.)	194 lbs
Gross Weight (lbs.)	224 lbs

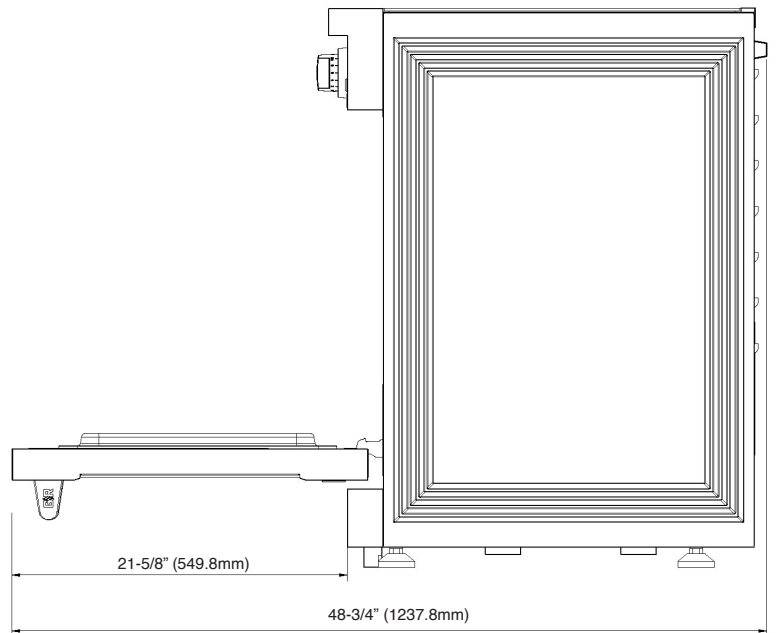
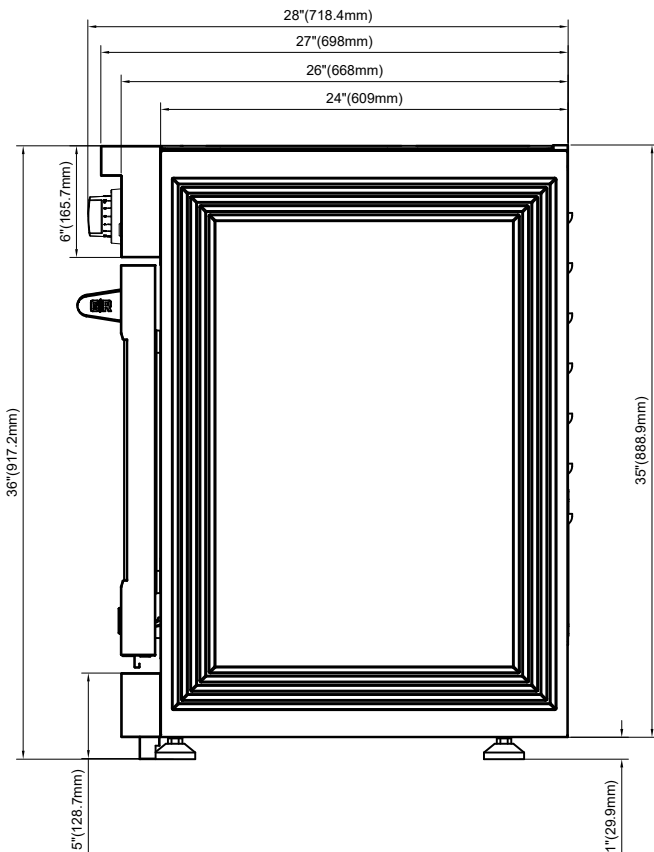
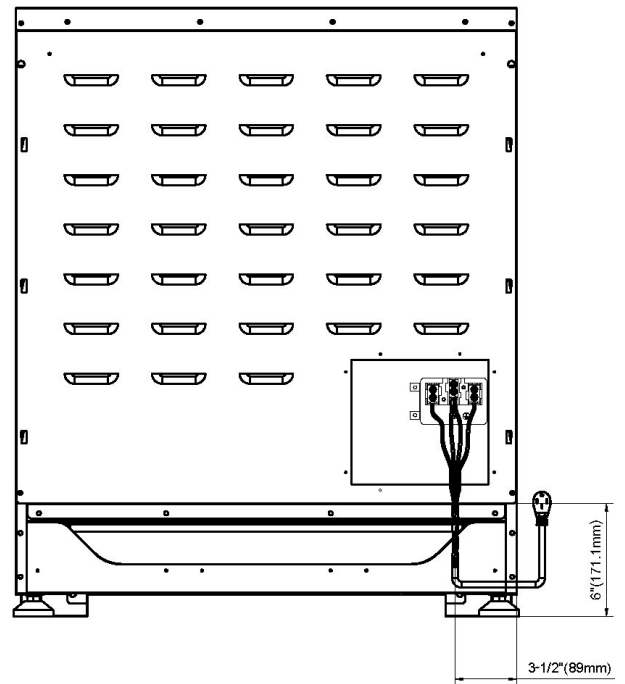
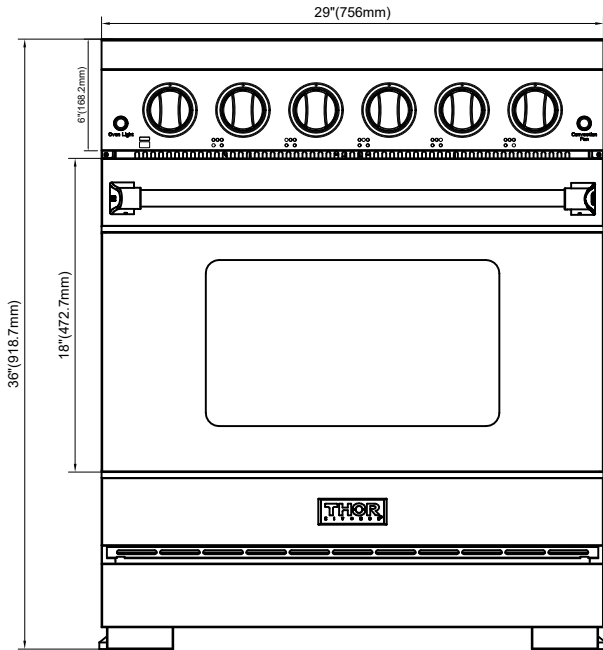
ACCESSORIES (INCLUDED)

1 Telescopic Rack
1 Standard Rack
1 Broiler Pan Set

ACCESSORIES REQUIRED (SOLD SEPARATELY)

50 Amp 4-Prong Power Cord (Not included in the US)
--

Specifications subject to change without notice.



Specifications subject to change without notice.

REV052026