

ISLAND CABINET BY SUNSTONE® SETUP GUIDE

Read all instructions before you install cabinet. Very important to follow each step in order as detailed in this Instruction Guide!!!

To installer or person assembling grill: Leave this manual with cabinet for future reference.

To consumer: Keep this manual for future reference.

www.sunstonemetalproducts.com

Welcome & Congratulations

Congratulations on your purchase of a new Sunstone Cabinet! We are very proud of our product and we are completely committed to providing you with the best service possible. Your satisfaction is our #1 priority. Please read this manual carefully to understand all the instructions about how to setup and maintain your cabinet island for longevity. We know you'll enjoy your new cabinet and thank you for choosing our product. We hope you consider us for future purchases.

How to Obtain Service

Please make sure you have the following information:

MODEL NUMBER | DATE OF PURCHASE| INVOICE NUMBER.

For warranty service, contact SUNSTONE Customer Service Department at (888)-934-9449 or email service@sunstonemetalproducts.com.

**SUNSTONE METAL PRODUCTS LLC.
16004 Central Commerce Dr, Pflugerville Texas 78660.**

Business Hours.
Mon. to Fri. 9:00AM to 4:30PM

Tel: 512-487-5116
Toll Free: 888-934-9449 (Technical Support Line)
Fax: 512-487-7016

Must keep copy of your sales slip for proof of purchase.

NAME _____ DATE OF PURCHASE _____

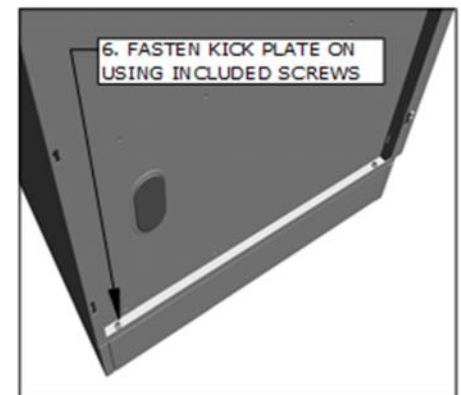
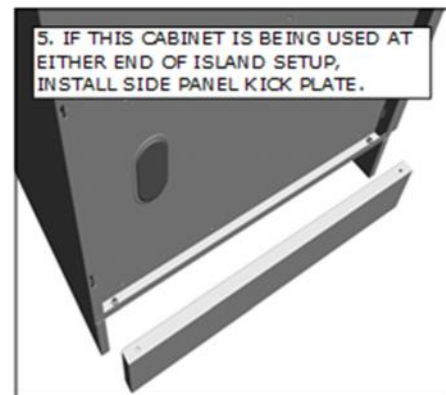
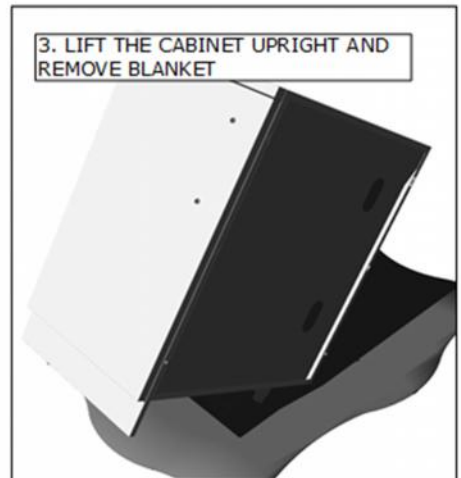
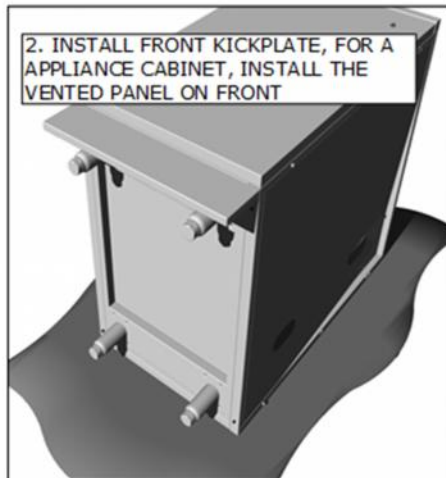
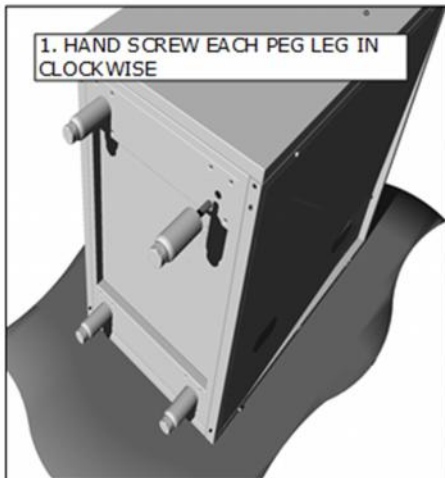
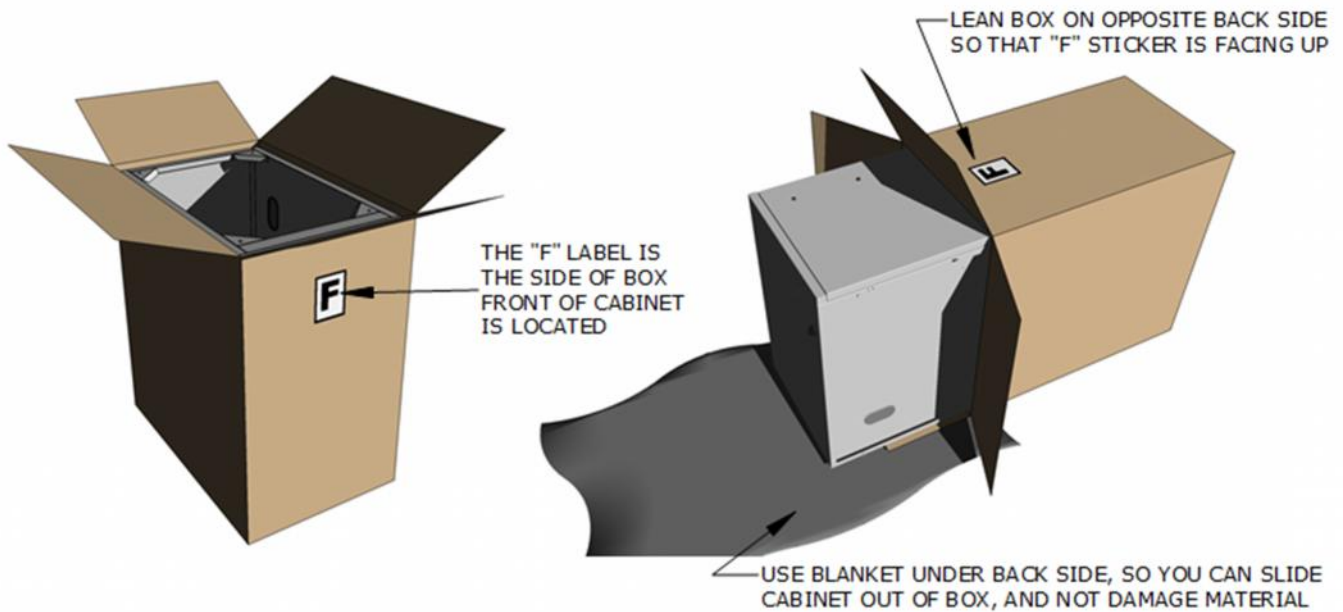
ADDRESS _____

MODEL NO _____ INVOICE NO _____

COMPANY THAT YOU PURCHASED FROM _____

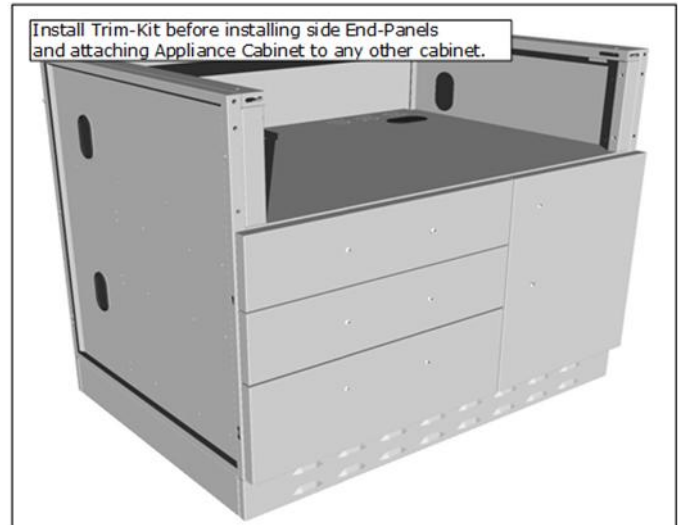
1. ALL CABINETS – THE BASICS

This instruction manual is presented as an overview guide only, the example cabinets shown within this instruction guide may not be the ones you have purchased but work to demonstrate the basic setup steps in configuring your own cabinet layout and island configuration of your choosing.



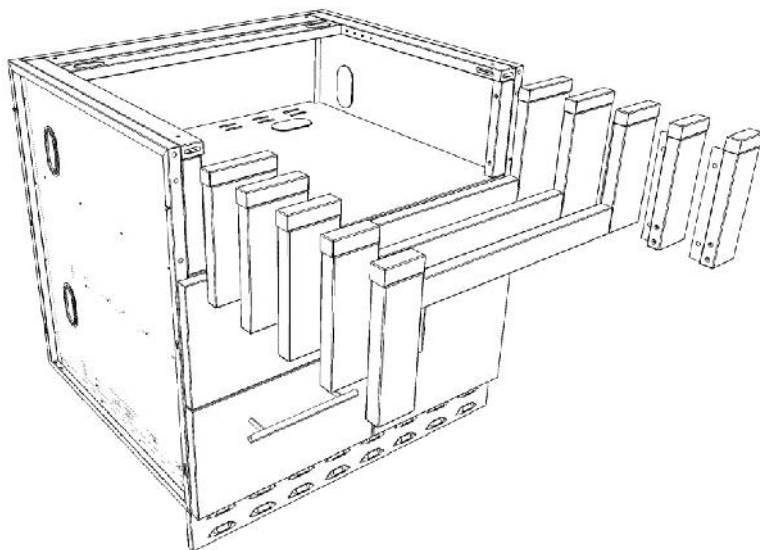
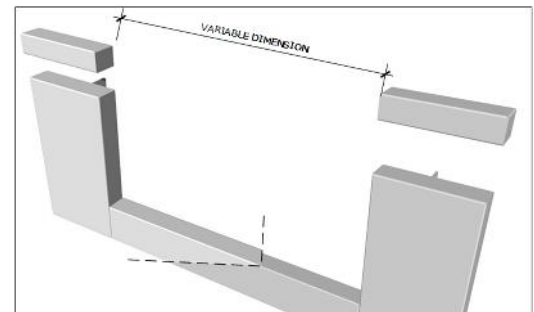
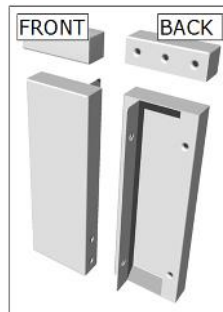
2. APPLIANCE CABINETS – TRIM-KIT OPTIONS

Follow the same steps for all cabinets including any appliance cabinets, next is to install any “Trim-Kits” you may have for either large or smaller appliance cabinets in your island configuration. At this point your appliance cabinet should appear as shown in the picture to the right with front, back kick plate panels installed and the side panel if the cabinet is on either end of your island configuration.



Depending on the specific Appliance you have, your cabinet came with a specific Trim-Kit that will fit each appliance cabinet in your cabinet island configuration. Be sure to measure the inside width of trim kit, and match up with your own appliance. Use own discretion when with Trim-Kits, as your specific product cut-out dimensions have not been directly confirmed by any Sunstone Metal Products LLC. Representative or employee.

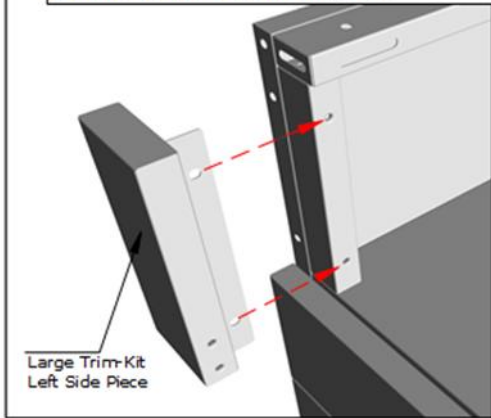
Your Trim-Kit will come with either two smaller separate pieces also with smaller counter rail pieces included, or as a single larger piece with center bottom filler rail connecting the two sides, and separate top counter rails pieces separate.



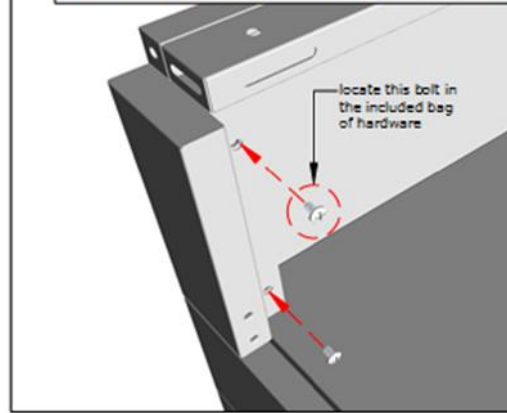
Each Appliance Cabinet if offered with five different Trim-Kits, each for making its own cut-out size in order to accommodate many more appliance brands available in the market. If your trim-kit does not fit with your appliance, please contact your Sunstone dealer or our technical support line at 888-934-9449

3. APPLIANCE CABINETS – TRIM KIT ASSEMBLY

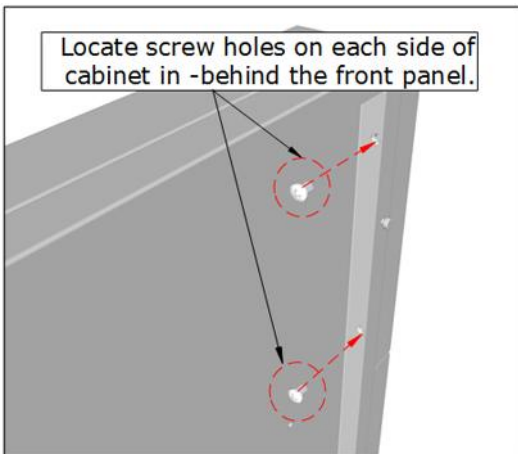
1. Locate the larger pieces of Trim-Kit, this is sometimes separated as two pieces like in this example, or grouped with lower rail that is Pre-Attached.



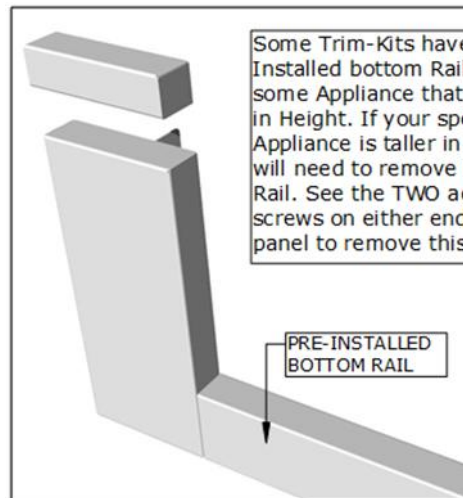
2. Locate the Two top and bottom screw hole positions and align the trim-kit piece up with them. Find Two screw bolts in the included hardware and install here.



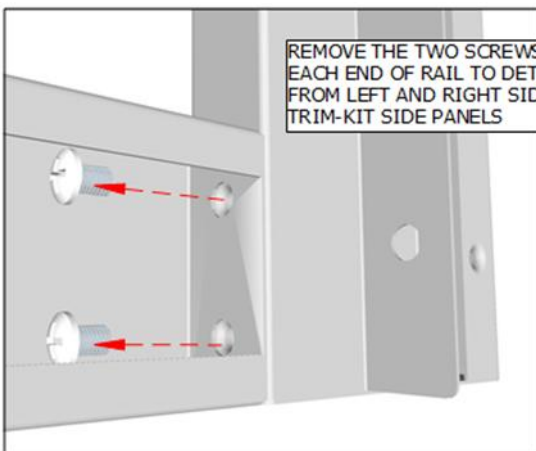
Locate screw holes on each side of cabinet in -behind the front panel.



Some Trim-Kits have Pre-Installed bottom Rails made for some Appliance that are shorter in Height. If your specific Appliance is taller in Height, you will need to remove this bottom Rail. See the TWO adjacent screws on either end in back of panel to remove this Rail.



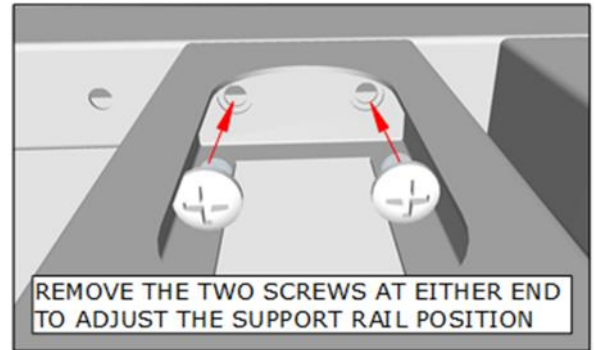
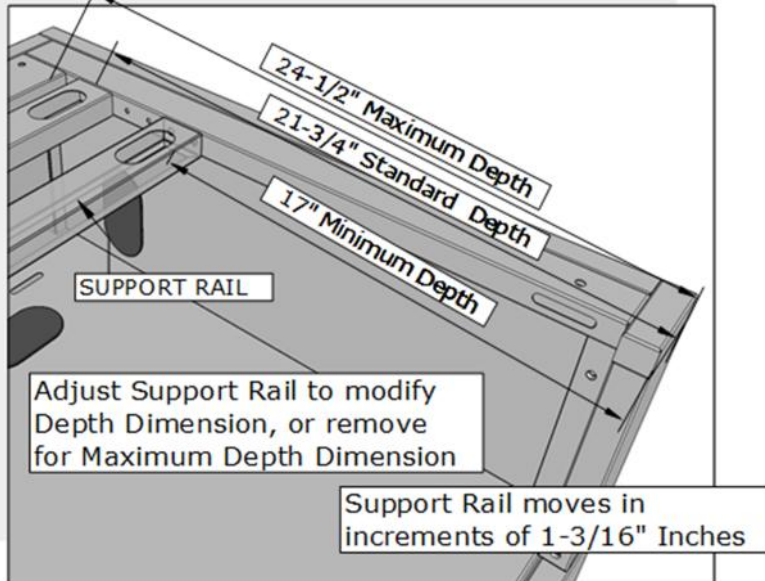
REMOVE THE TWO SCREWS ON EACH END OF RAIL TO DETACH FROM LEFT AND RIGHT SIDE OF TRIM-KIT SIDE PANELS



4. APPLIANCE CABINETS - SUPPORT RAIL

The Appliance Cabinet Support Rail is located in the back of cabinet, and is used as a Counter Support, in the event your specific appliance is either deeper or shorter. In either case you can adjust the depth of sleeve cut-out using this rail, see the pictures below for instructions.

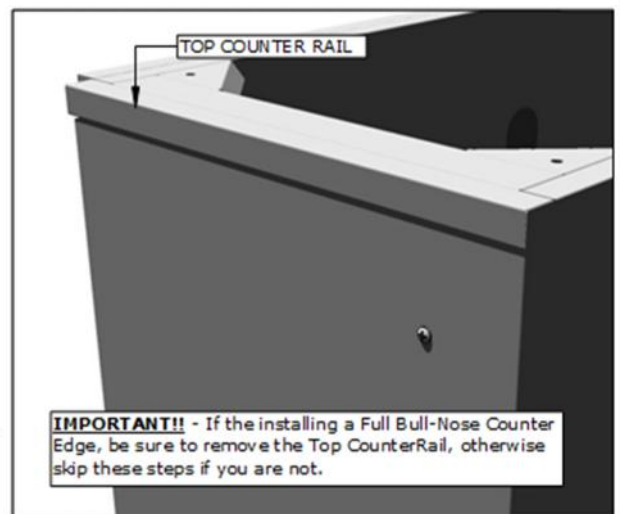
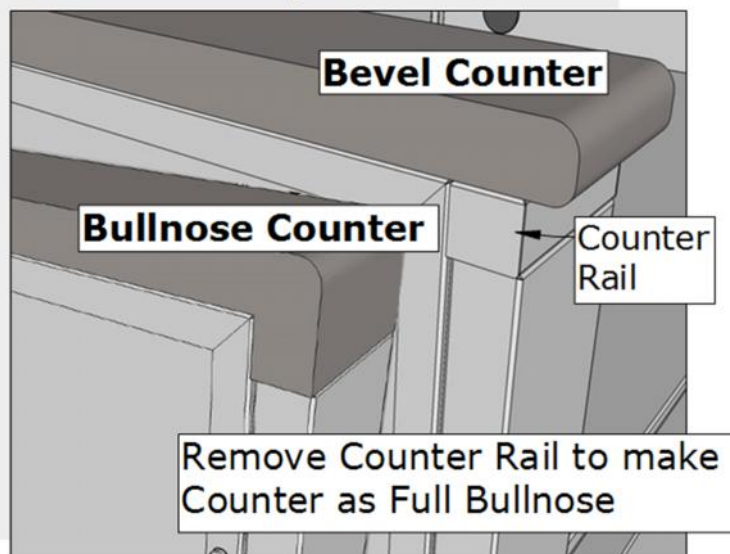
Support Rail Option

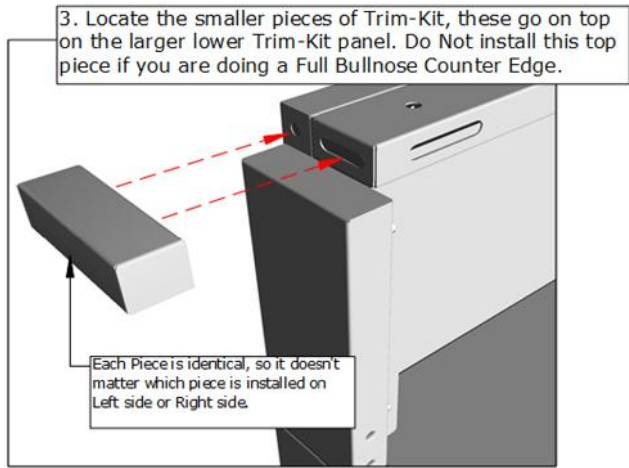
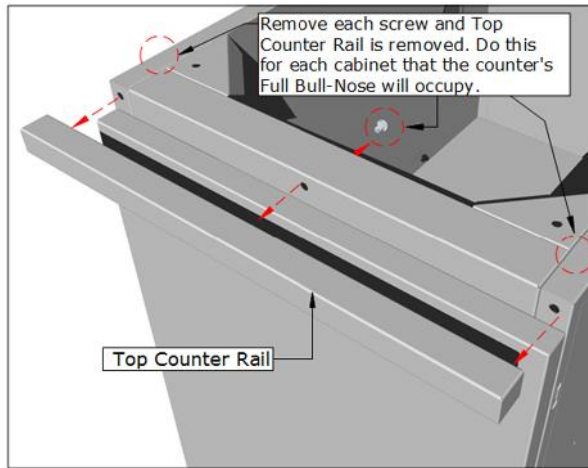
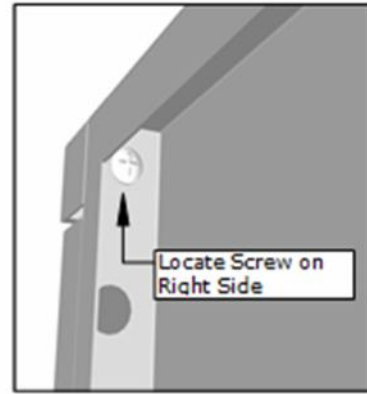
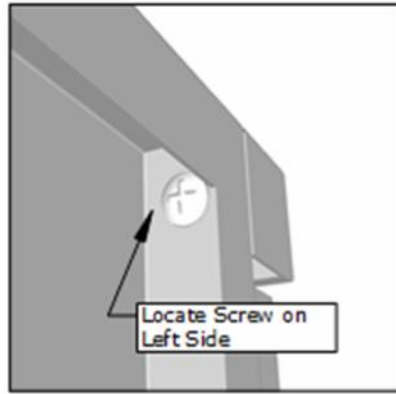
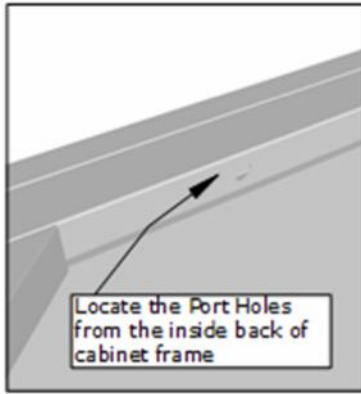


5. ALL CABINETS - COUNTER RAIL

The Cabinet Counter Rail is designed as two-fold, one to allow for adequate distance of counter to drawer or door of cabinet as a decorative accent piece and gives you the added ability of being able to install your counter top with a full bullnose edge, that wraps around front of cabinet edge.

Counter Rail Option

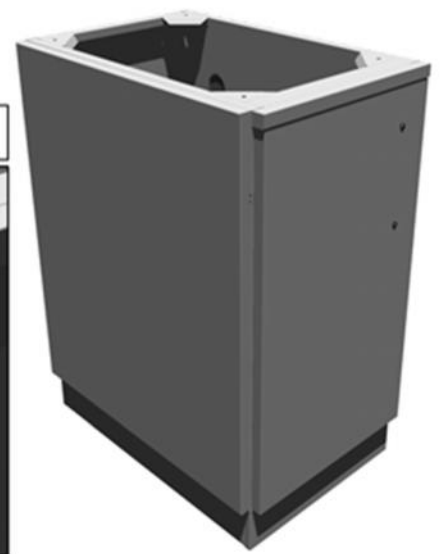
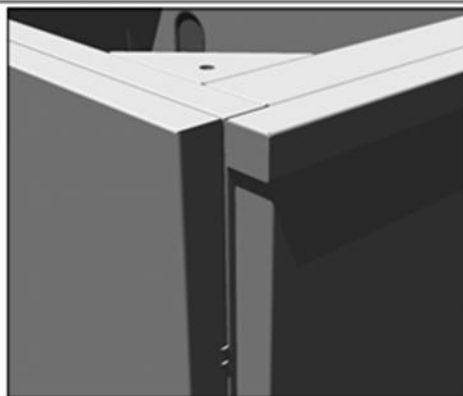
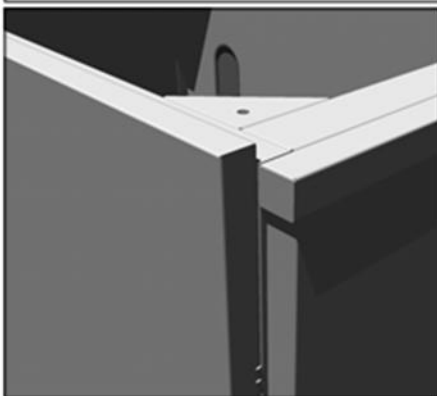




6. ALL CABINETS - END PANEL

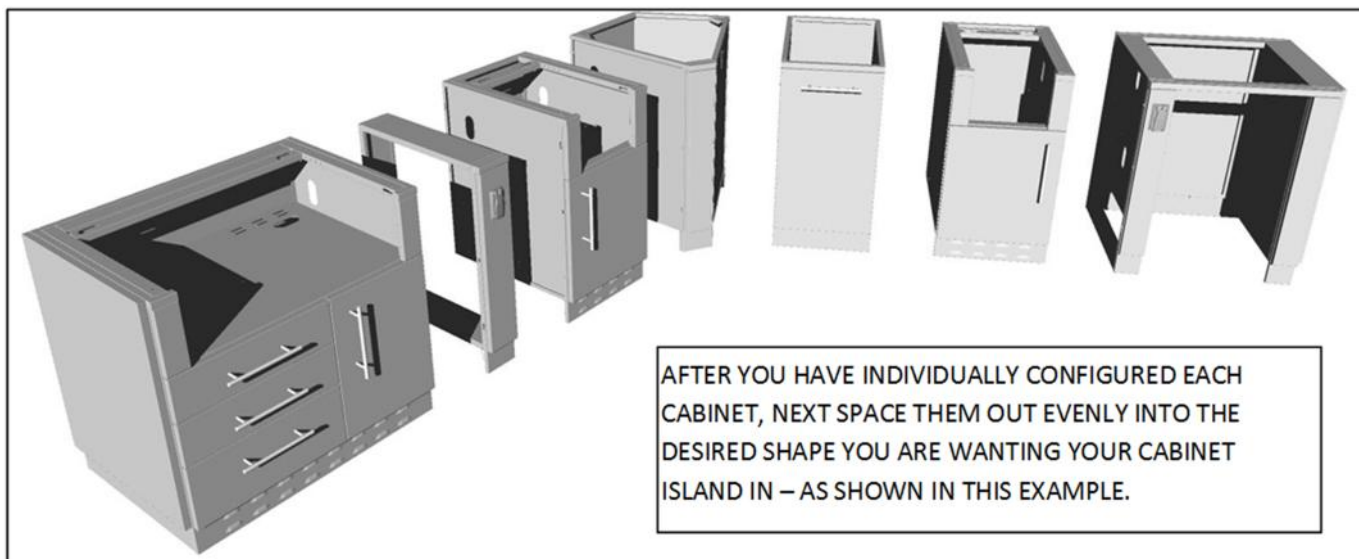
IF THIS CABINET IS BEING USED AT EITHER END OF ISLAND SETUP, THEN INSTALL END PANEL TO SIDE OF CABINET

LAY END PANEL AGAINST LEFT OR RIGHT SIDE OF CABINET BUT LIFTED SLIGHTLY SO PINS WILL ALIGN UP TOGETHER AND PANEL WILL SNAP IN PLACE BY PUSHING DOWN AND IN.

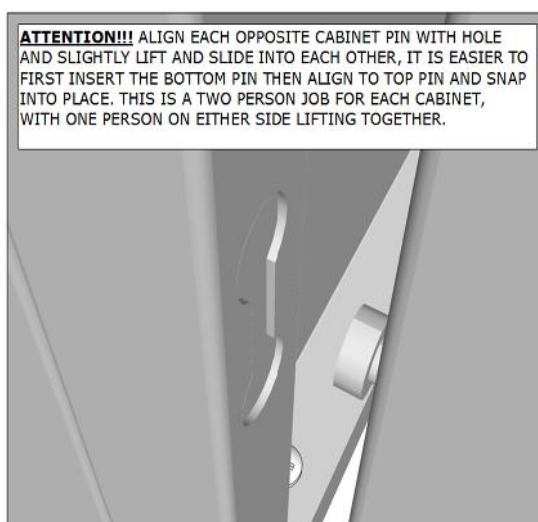
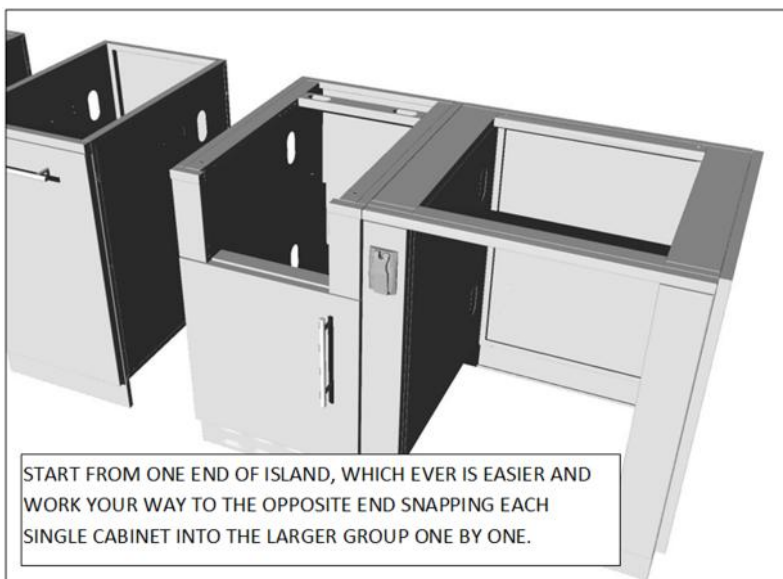


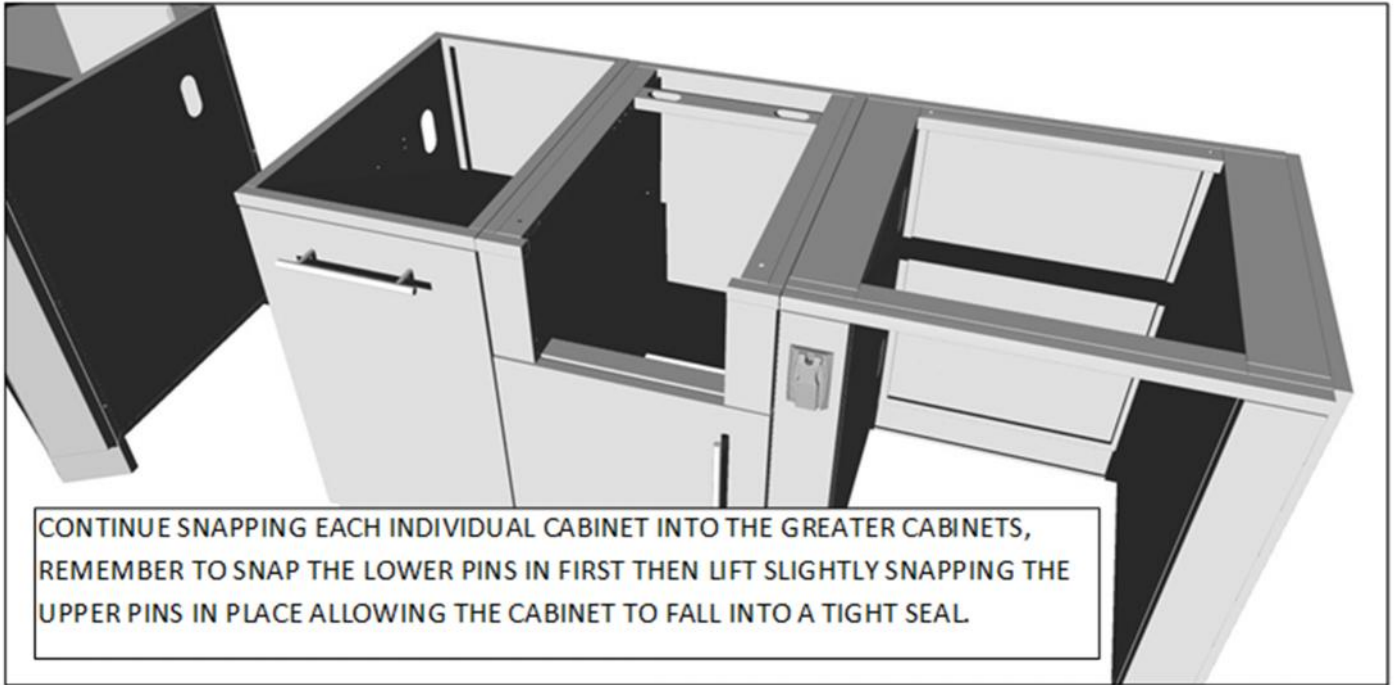
7. ALL CABINETS - ISLAND LAYOUT

Now that you have individually configured each cabinet, it is time to set them up into the general layout of your island design. Be sure to give some distance between each cabinet so you can move your body between each one.



IMPORTANT!!! You must individually attach each cabinet together, do not try and attach three or more together at once. Using a Leveler, place on top of each cabinet group as you assemble taking special precaution that the top is Level as you go. Each peg leg is adjustable within 1-1/2” Inches, to composite for any uneven ground, additional some leveling may be required for lower drainage dips in your patio, but also know that as all cabinets are attached to one another, they will hold very strong together and level. So if one or two cabinets are slightly elevated, this should not impact the overall integrity of island assembly.





8. ALL CABINETS - ISLAND COMPLETION

Once all cabinets have been properly configured and attached, next is to make your final preparation. Insure all Electrical Outlets and or Gas Lines have been installed with proper wiring and hoses running through the length of the cabinet island – through each adjacent port hole into one another. Next your local counter installer will come to your home to do a template of Cabinet Island for final counter installation. Last – install your Grill, Side Burners, sinks, and fridge.



CABINET WARRANTY

SUNSTONE – CABINET WARRANTY

WARRANTY ON PARTS

- **CABINET STRUCTURE -----LIMITED LIFETIME**
- **CABINET FINISH -----LIMITED LIFETIME**
- **ROD HANDLES-----5 YEARS**
- **PEG LEGS ----- 5 YEARS**
- **KICKPLATES & TRIM KITS PANELS-----5 YEARS**

LIMITED LIFETIME WARRANTY

Stainless Steel, to be from defects in material and workmanship when subjected to normal domestic use and service for the lifetime of the original purchaser. This warranty does not include discoloration, surface corrosion, and scratches which may occur during regular use.

LIMITED FIVE-YEAR WARRANTY

All other components including Rod Handles, Peg Legs, Kick Plates, End Panels, and Spacer Panels are warranted to be free from defects in material and workmanship for a period of five years from the original date of purchase.

LIMITATIONS & EXCLUSIONS

1. *Cabinet warranty applies only to the original purchaser and may not be transferred.*
2. *Cabinet warranty is in lieu of all other warranties expressed or implied and all other obligations or liabilities related to the sale or use of its grill products.*
3. *Cabinet warranty shall not apply and SUNSTONE METAL PRODUCTS LLC. Is not responsible for damage resulting from misuse, abuse, alteration of or tampering with the cabinet, accident, hostile environment, improper installation, or installation not in accordance with the instructions contained in the User Manual, or the local codes.*
4. *SUNSTONE METAL PRODUCTS LLC. shall not be liable for incidental, consequential, special or contingent damages resulting from its breach of this written warranty or any implied warranty.*
5. *Some states do not allow limitations on how long an implied warranty lasts, or the exclusions of or limitations on Consequential damages. This warranty gives you specific legal rights and you may have other rights, which vary from state to state.*
6. *No one has the authority to add to or vary cabinet warranty, or to create for SUNSTONE METAL PRODUCTS LLC. any other obligation or liability in connection with the sale or use of its products.*

WHAT IS NOT COVERED & INTERNET PURCHASE DISCLAIMER

1. *Shall not be responsible for and shall not pay for the following Installation or set-up of cabinet.*
2. *Service by an unauthorized service provider;*
3. *Damage or repair due to service by an unauthorized service provider or use of unauthorized parts.*
4. *Damage caused by accidents, abuse, alteration, misuse, installation that is not in accordance with the instructions contained in the User Manual, or local codes.*
5. *Shipping and handling costs, export duties, or installation cost.*
6. *The cost of service calls to diagnose trouble; or Removal or re-installation cost.*