



# SPEC SHEET

## KoolMore 48 in. Two Compartment Stainless Steel Commercial Sink with 2 Drainboards, Bowl Size 12"x 16"x 10"

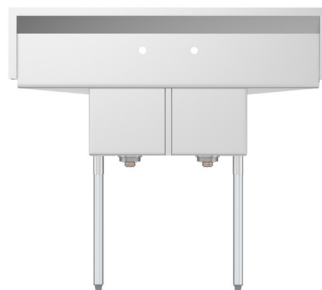
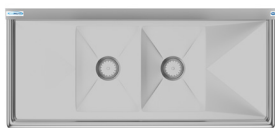
Model: SB121610-12B3

### FEATURES

- Made of high-grade heavy-duty 304 corrosion-resistant stainless steel.
- Adjustable 1 1/2 bullet feet for the best possible stability.
- Two 12-inch drainboards.
- Rolled edges to prevent overflow.
- Rounded corners for easy cleaning.
- Protective backsplash to prevent splashes
- Slanted drainboard surface to drain excess water.
- Stainless steel drain basket included.
- NSF certified.
- 90-Day Warranty.



### CLOSE UP IMAGES



# TECHNICAL SPECS

## Dimensions

|                                      |          |
|--------------------------------------|----------|
| Length                               | 48       |
| Width                                | 22       |
| Height                               | 43.2     |
| Weight (lbs)                         | 42.7     |
| DxWxH of Bowl 1                      | 12x16x10 |
| DxWxH of Bowl 2                      | 12x16x10 |
| Height From Floor to Bottom of Basin | 23.5     |
| Height From Floor to Top of Basin    | 33.5     |
| Legs Height                          | 22.16    |
| Left Drainboard Length               | 12       |
| Right Drainboard Length              | 12       |
| Backsplash Size                      | 9.7      |

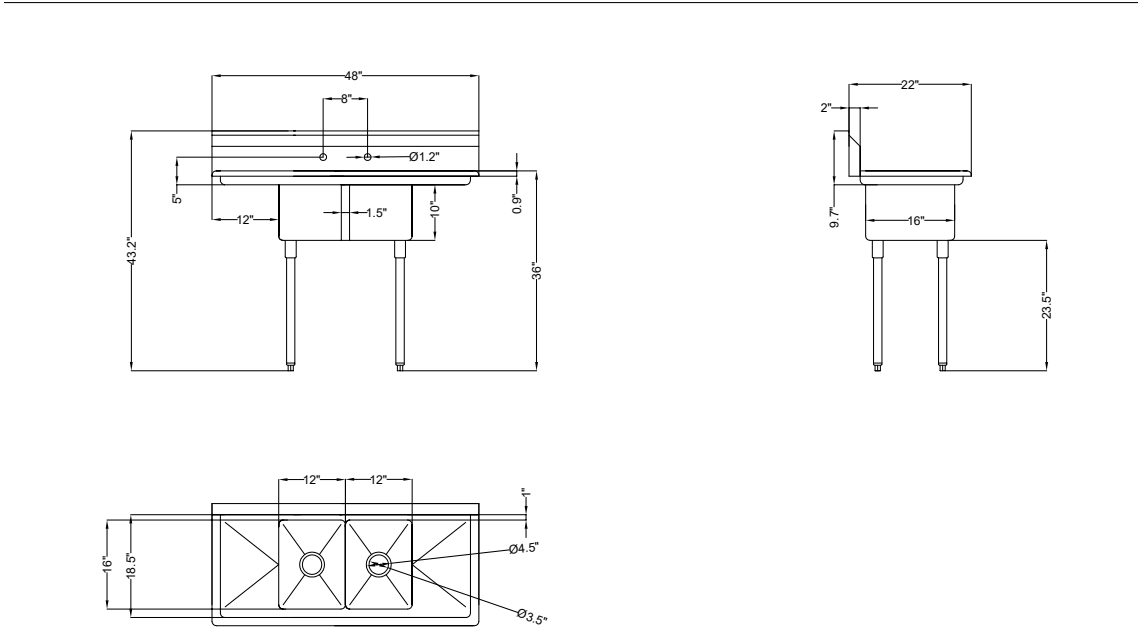
## Features & Materials

|  |                     |
|--|---------------------|
| Exterior Material                      | Stainless-Steel 304 |
| Color Finish                           | Stainless-Steel     |
| Drain Included                         | Yes                 |
| Number of Basins                       | 2                   |
| Angle of Downward Incline in Basin     | 2 Degrees           |
| Angle of Downward Incline of Dashboard | 6 Degrees           |
| Legs Adjustable                        | Yes                 |
| Gauge of Stainless Steel               | 18                  |

## Certifications

|                |     |
|----------------|-----|
| Certifications | NSF |
|----------------|-----|

# Plan View



706 Eastern Parkway STE 1G, Brooklyn NY 11213  
718-576-6342  
info@koolmore.com