



SPEC SHEET

KoolMore 56 in. Two Compartment Stainless Steel Commercial Sink with 2 Drainboards, Bowl Size 12"x 16"x 10"

Model: SB121610-16B3

FEATURES

- Made of high-grade heavy-duty 304 corrosion-resistant stainless steel.
- Adjustable 1 1/2 bullet feet for the best possible stability.
- Two 16-inch drainboards.
- Rolled edges to prevent overflow.
- Rounded corners for easy cleaning.
- Protective backsplash to prevent splashes
- Slanted drainboard surface to drain excess water.
- Stainless steel drain basket included.
- NSF certified.
- 90-Day Warranty.



CLOSE UP IMAGES



TECHNICAL SPECS

Dimensions

Length	56.1
Width	22
Height	43.2
Weight (lbs)	45.7
DxWxH of Bowl 1	12x16x10
DxWxH of Bowl 2	12x16x10
Height From Floor to Bottom of Basin	23.5
Height From Floor to Top of Basin	33.5
Legs Height	22.16
Left Drainboard Length	16
Right Drainboard Length	16
Backsplash Size	9.7

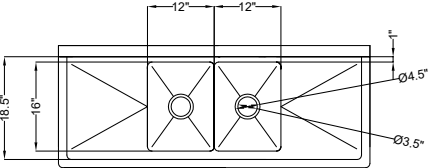
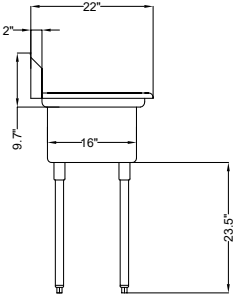
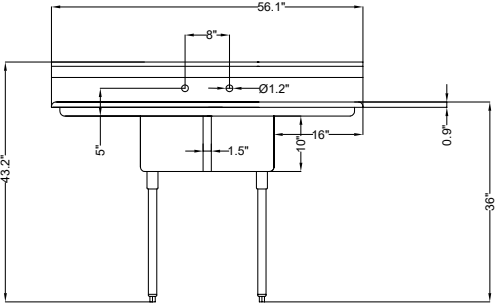
Features & Materials

Exterior Material	Stainless-Steel 304
Color Finish	Stainless-Steel
Drain Included	Yes
Number of Basins	2
Angle of Downward Incline in Basin	2 Degrees
Angle of Downward Incline of Dashboard	6 Degrees
Legs Adjustable	Yes
Gauge of Stainless Steel	18

Certifications

Certifications	NSF
----------------	-----

Plan View



CERTIFICATIONS



706 Eastern Parkway STE 1G, Brooklyn NY 11213
718-576-6342
info@koolmore.com