



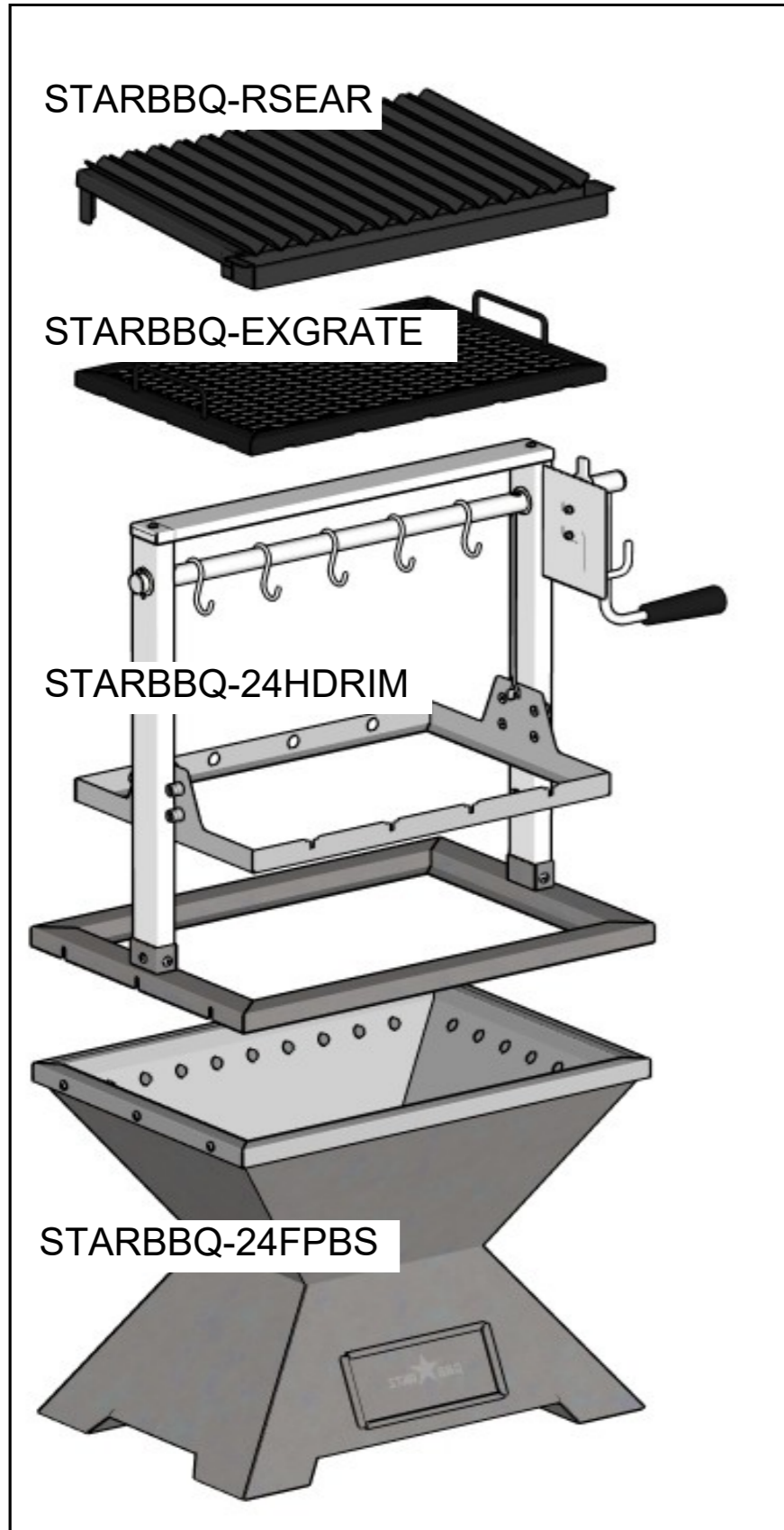
ITEM NO.
STARBBQ-24FPBS-
SMR-RSE-EXG

DESCRIPTION
24" Smokeless Fire-Pit Base
w/Santa Maria Rim & the Raised
Sear Rim Insert & ExGrate
Cooking Grate

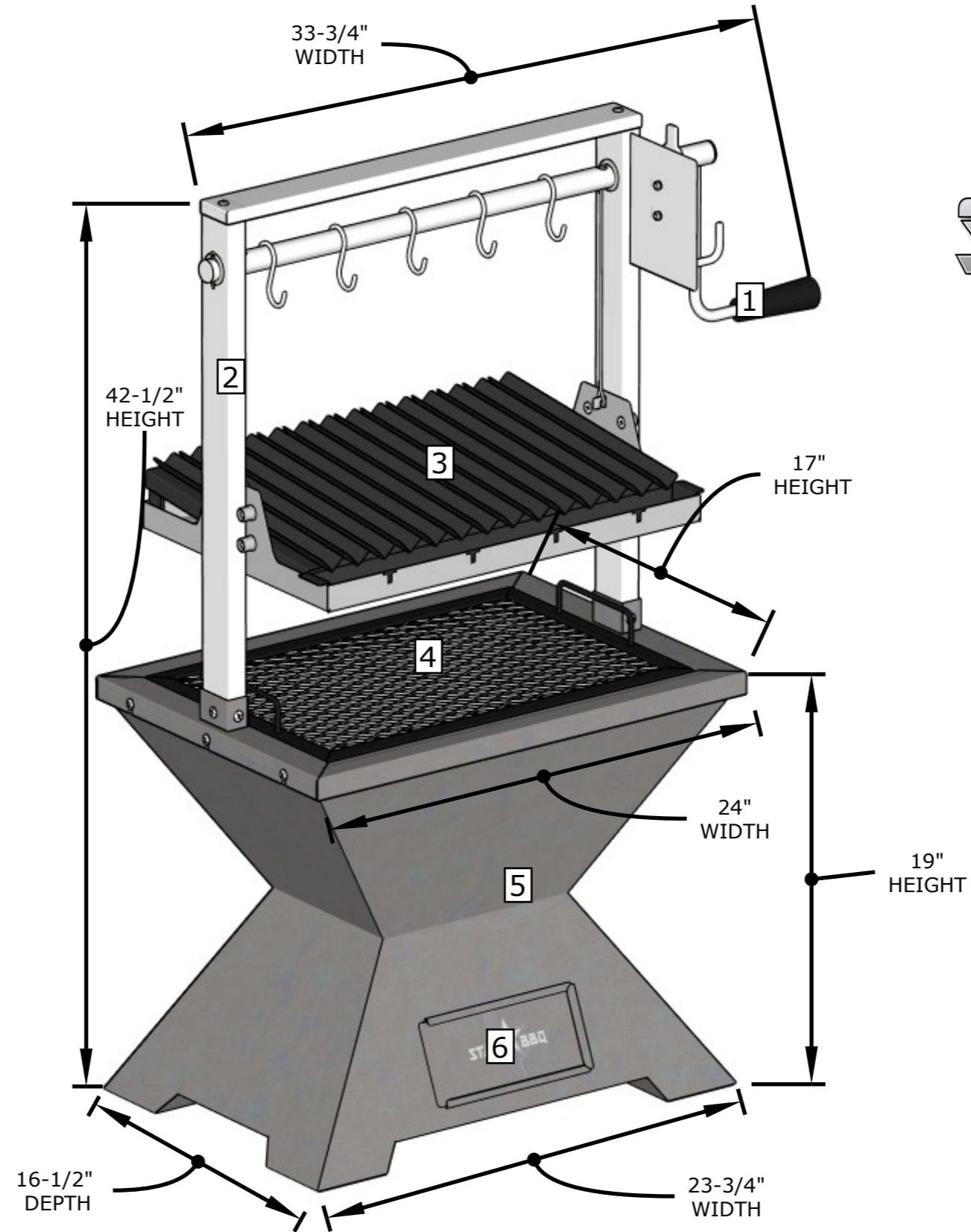
PRODUCT DIMENSIONS
24" WIDTH x 17" D x
42-1/2" HEIGHT x 33-
3/4" WIDTH/Crank

MATERIAL SPECIFICATIONS
Heat Resistant Powder Coating for main body,
304 Stainless Steel Burn Fire Box & Ash Tray

PACKAGE COMPONENTS



PACKAGE DIMENSIONS



PACKAGE FEATURES

1. Crank w/Lock
2. Santa-Maria Lift
3. Sausage Hooks
4. Raised Sear Grate
5. ExGrate Cooking Grid
6. Fire Pit Base
7. Ash Tray Access