

Item Number(s):

Smokeless Fire-Pit Insert

36-Inch Item Number: STARBBQ-36SFPR

48-Inch Item Number: STARBBQ-48SFPR

**Read all instructions before you operate your appliance.
Save these instructions!**

To installer or person assembling appliance: Leave this manual with appliance for future reference.
To consumer: Keep this manual for future reference.

www.SunstoneMP.com

Welcome & Congratulations

Congratulations on your purchase of a new **STARBBQ™ by Sunstone Metal Products 36" or 48" Smokeless Fire Pit Insert!** We are extremely proud of this premium product and are fully committed to providing you with the very best ownership experience possible. Your complete satisfaction is our #1 priority.

Please take a few minutes to read this manual carefully. It contains all the information you need to safely install, operate, and maintain your 36" or 48" smokeless fire pit insert for decades of optimum performance, clean-burning fires, and unforgettable outdoor moments. We know you're going to love gathering around your new StarBBQ fire pit with family and friends, and we sincerely thank you for choosing Sunstone Metal Products. We hope you'll consider us for all your future outdoor living needs.

Before you call

- Is the fire pit insert properly elevated 1–2" off the ground on gravel or pavers? (Critical for primary airflow)
- Have you removed all ashes that might be blocking the lower air intake holes?
- Are you using only dry, seasoned hardwood kept below the top row of air holes?
- Has the firepit insert had 10–20 minutes to fully heat up (smokeless mode only activates when hot)?
- Is there any standing water inside the insert from recent rain (must be fully dry for smokeless performance)?

SUNSTONE METAL PRODUCTS LLC.
16004 Central Commerce Dr, Pflugerville Texas 78660.

Business Hours.
Mon. to Thur. 9:00AM to 4:30PM
Closed Fri/Sat/Sun

Tel: 512-487-5116
Toll Free: 888-934-9449 (Technical Support Line)

Must keep copy of your sales slip for proof of purchase.

NAME _____ DATE OF PURCHASE _____

ADDRESS _____

MODEL NO _____ INVOICE NO _____

COMPANY THAT YOU PURCHASED FROM _____

Discover the StarBBQ™ Product Line by Sunstone Metal Products

Explore the innovative **StarBBQ™** series, a premium collection of outdoor cooking solutions from Sunstone Metal Products. All StarBBQ™ products are proudly designed and engineered at our facility in North Austin, Texas. As a **PROUD TEXAS COMPANY**, we remain committed to delivering the highest quality in every product we create.

StarBBQ™ offers versatile options for campfire, camping, and backyard adventures, including smokeless fire pits, portable charcoal grills, and innovative grill inserts—all built with durable materials for reliable performance.



Heavy-Duty Steel Fold-Out Camper Griller Griddle Combo | **STARBBQ-FUFP**



Folding A-Frame Camper Charcoal Grill – Portable and Compact | **StarBBQ-AFCG**



Rocket Stove Camper Box – Military-Grade Ammo Can Portable Charcoal Stove | **STARBBQ-FUFP**



24" Smokeless Fire Pit Base Platform – Ultimate Versatile Outdoor Cooking Hub | **STARBBQ-24FPBS**



24" Charcoal Griller Base with Unlimited Versatility and Upgrades, like the Cart, Santa Maria, Hood, Post-Griller | **STARBBQ-24chbs**



Ultimate Charcoal Smoker & Pizza Oven Combo Grill Cart – All-in-One | **STARBBQ-34SMK**

INDEX DIRECTORY

<u>Section</u>	<u>Description</u>	<u>Page</u>
Pre-Installation Customer Checklist	Site prep, stone requirements, airflow	1
Fire Ring Product Dimensions – 36"	STARBBQ-36SFPR specifications	2
Fire Ring Product Dimensions – 48"	STARBBQ-48SFPR specifications	3
Optional Post-Mount Swivel Grill	Griller dimensions and installation	4
36"/48" Fire Ring Insert	Parts List Diagram	5
Post-Mount Swivel Grill	Parts List Diagram	6
Fire Ring Cut-Out Instructions	Cutout sizing, airflow clearances	7
How does the Fire-Pit Insert Work?	How the Smokeless Feature Works	8
Step-By-Step Installation	Detailed stone and insert installation	9-10
How the Smokeless System Works	Primary airflow & secondary combustion	11
Lighting Your First Fire	Break-in and proper lighting procedure	12
Fuel & Wood Selection	Approved fuels and burn characteristics	13
Troubleshooting Guide	Common issues and solutions	14
Warranty Information	Lifetime & accessory warranty terms	15

PACKAGE CONTENTS

- 36" or 48" Cold-Rolled Steel Powder Coated, smokeless fire ring insert (4-piece bolted design)
- Stainless steel bolts, lock washers, and hex wrench
- This manual
- Optional accessory: Post-Mount Swivel Grill Kit (includes short post for 36" model, tall post for 48" model, grill grate, and hardware)

PRE-INSTALLATION CUSTOMER CHECKLIST

Before beginning installation, confirm that **all items below are completed**. Proper preparation ensures correct airflow, safe operation, and true smokeless performance.

Location & Safety Clearance

Choose a permanent installation location that maintains a **minimum 25 ft clearance** from all buildings, overhangs, tree branches, fences, decks, and other combustible materials (refer to the Safety section).

Local Regulations Verified

Confirm compliance with all **local fire codes, burn regulations, permits, and any air-quality “No-Burn” restrictions** applicable in your area.

Ground Surface Prepared

Verify the installation surface is **leveled, stable, and non-combustible**, such as a paver patio, gravel base, concrete slab, or bare earth.

Airflow Base Planned (Required)

Plan for a **1–2 inch elevated internal base** inside the fire pit using crushed gravel and/or spare pavers or bricks.

(This elevation is required for proper primary airflow and smokeless operation.)

Stone Quantity Confirmed

Purchase sufficient retaining wall blocks or natural stone for the desired height:

• **36" model:** approximately **48–60 blocks**

• **48" model:** approximately **60–75 blocks**

(Quantity varies based on final stone height and block size.)

Stone Surface Suitability Verified (Critical)

Confirm that the **top course stones are flat and non-rough**.

Stones must have a **level, even top surface** so the fire ring insert can rest **flush against the stone rim**.

Irregular, jagged, or uneven stones may prevent proper seating of the insert and compromise performance.

Retaining Lips Removed

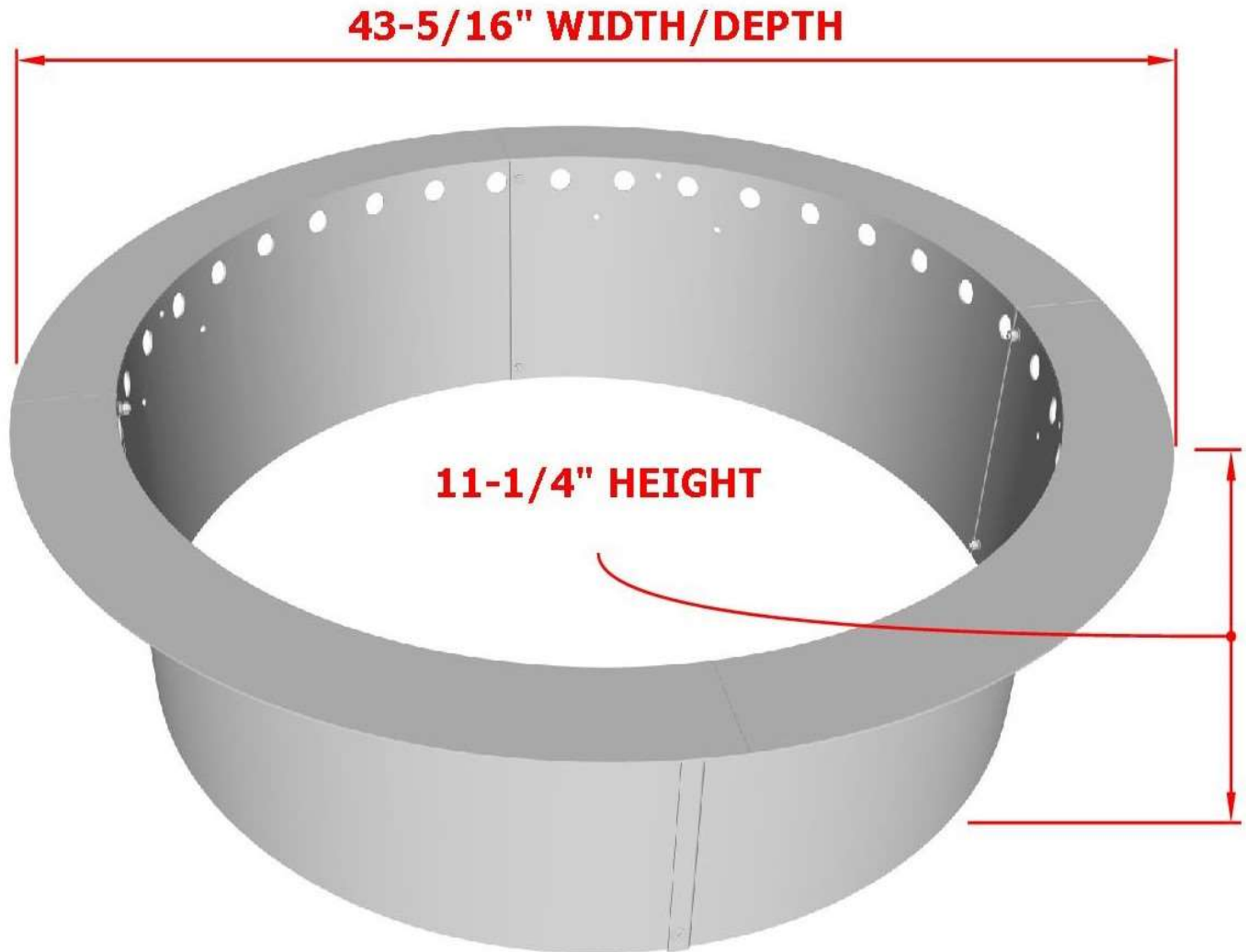
Remove all **rear retaining lips** from blocks prior to installation so stones sit flat and form a true circular ring.

Safety Gear Ready

Have proper safety equipment available, including **work gloves, safety glasses, and hearing protection**.

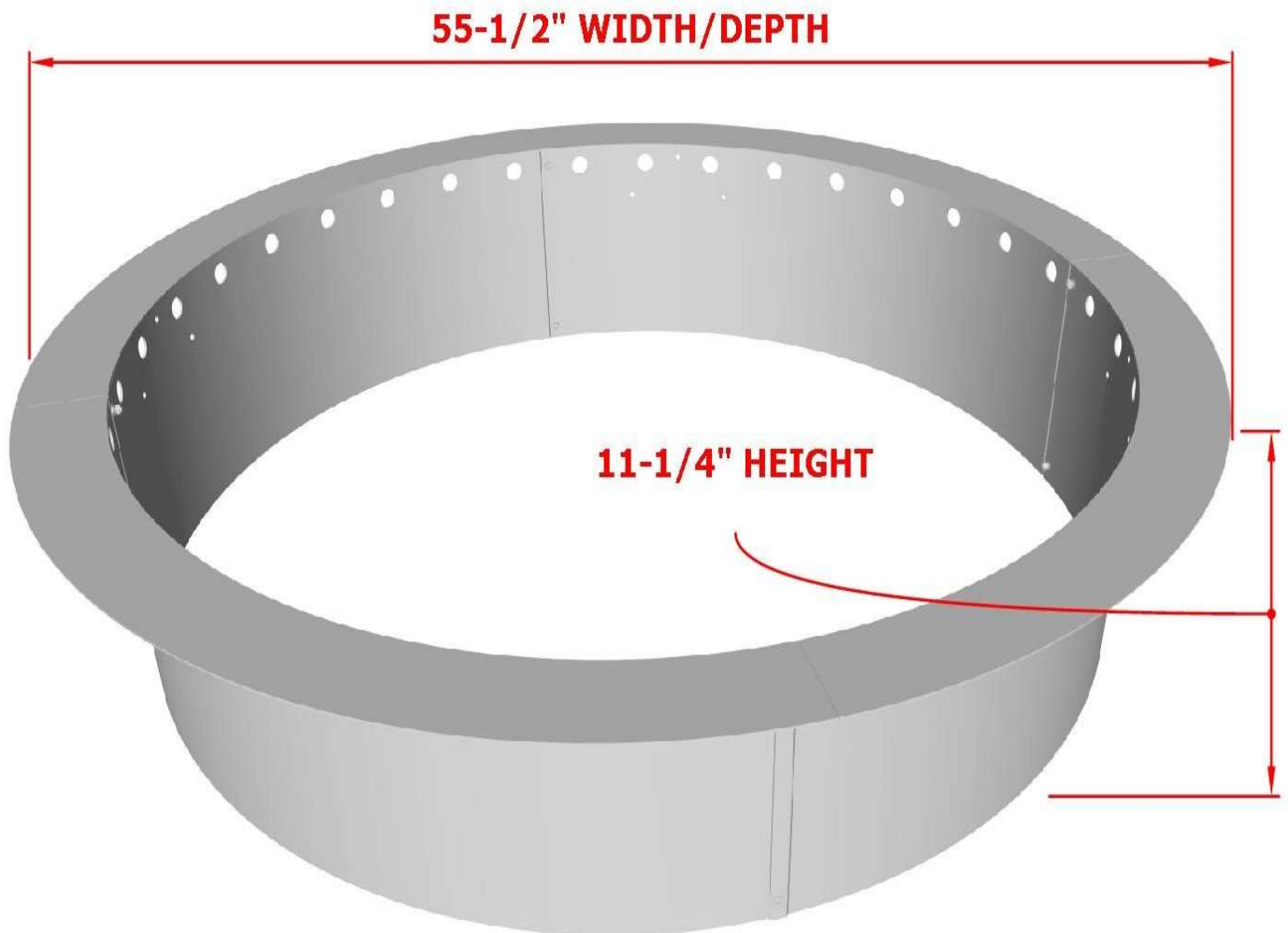
Fire Safety Equipment Available

Ensure a **garden hose, bucket of water, or fire extinguisher** will be within immediate reach of the final fire pit location.



STARBBQ-36SFPR — 36" Smokeless Fire Ring

- **Product Dimensions:** 43-5/16" W × 43-5/16" D (43-5/16" DIA.) × 11-1/4" H
- **Recommended Cutout Opening:** 38" W × 38" D (38" DIA.) × 13" H
- **Material:** Heavy-duty Cold-Rolled Steel
- **Finish:** High-Temperature Powder Coating (designed for outdoor heat use)
- **Construction:** 4-piece flat-packed design for fast assembly
- **Airflow System:**
 - Elevated-base primary airflow
 - Double-wall secondary-burn smokeless design
- **Compatibility:**
Pairs with Short Post Swivel Grill (STARBBQ-FPOGSR-S)



STARBBQ-48SFPR — 48" Smokeless Fire Ring

- **Product Dimensions:** 55-1/2" W × 55-1/2" D (55-1/2" DIA.) × 11-1/4" H
- **Recommended Cutout Opening:** 50" W × 50" D (50" DIA.) × 13" H
- **Material:** Heavy-duty Cold-Rolled Steel
- **Finish:** High-Temperature Powder Coating
- **Construction:** 4-piece flat-packed design
- **Airflow System:**
 - Elevated-base primary airflow
 - Double-wall secondary-burn smokeless design
- **Compatibility:**
Pairs with Tall Post Swivel Grill (STARBBQ-FPOGSR-L)

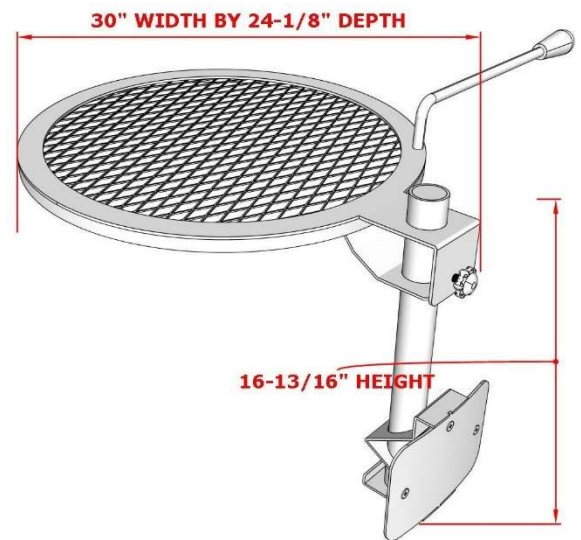
OPTIONAL POST-MOUNT SWIVEL GRILL INSTALLATION

The swivel grill post inserts between two blocks on the top course. The Post-Mount Grillers are sold separately.

- 36" model → use the **short post** for low, easy-reach cooking height
- 48" model → use the **tall post** for comfortable standing height. Tighten both set screws firmly. The grill swings 180° over the fire and completely out of the way

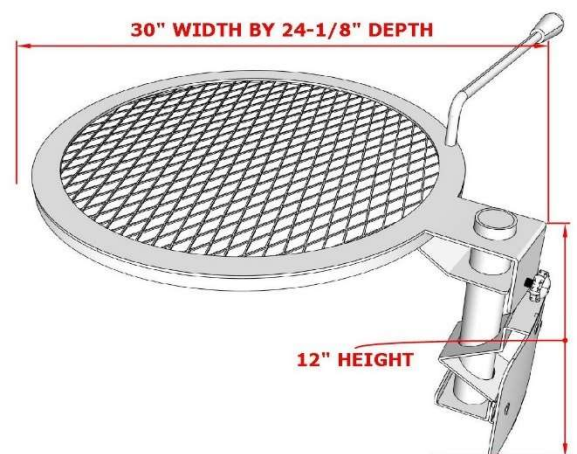
STARBBQ-FPOGSR-L — Tall Post Swivel Griller

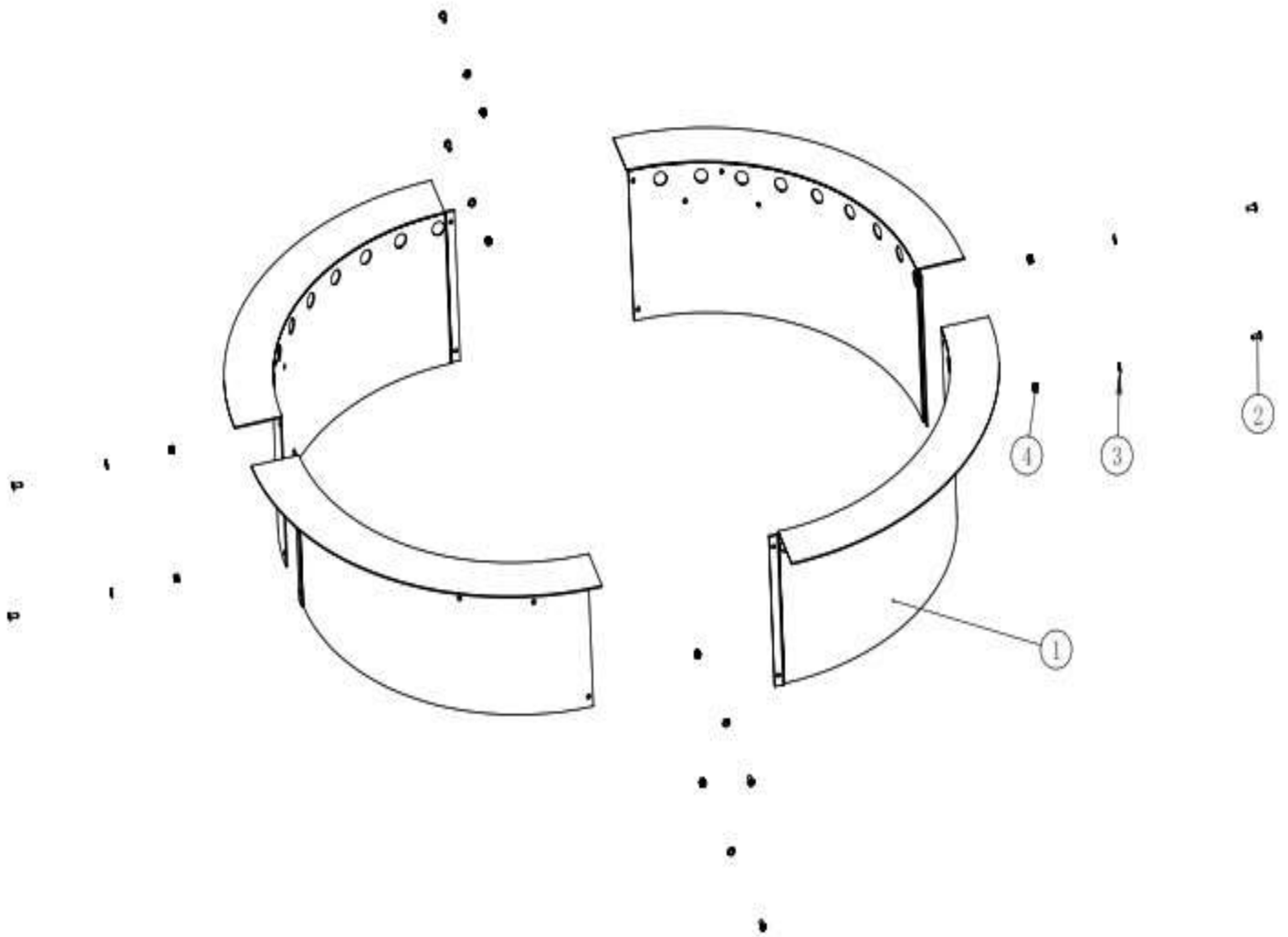
- **Product Dimensions:** 30" W × 24-1/8" D × 16-13/16" H
- **Material:** Cold-Rolled Steel cooking grate & post
- **Finish:** High-Temperature Powder Coating
- **Recommended Use:** Ideal height when paired with the 48" Fire Ring
- **Features:**
 - 180° swivel range
 - V-Track searing grate
 - Adjustable cook height
 - Integrated set-screw lock



STARBBQ-FPOGSR-S — Short Post Swivel Griller

- **Product Dimensions:** 30" W × 24-1/8" D × 12" H
- **Material:** Cold-Rolled Steel cooking grate & post
- **Finish:** High-Temperature Powder Coating
- **Recommended Use:** Ideal height when paired with the 36" Fire Ring
- **Features:**
 - 180° swivel range
 - V-Track searing grate
 - Adjustable cook height
 - Integrated set-screw lock

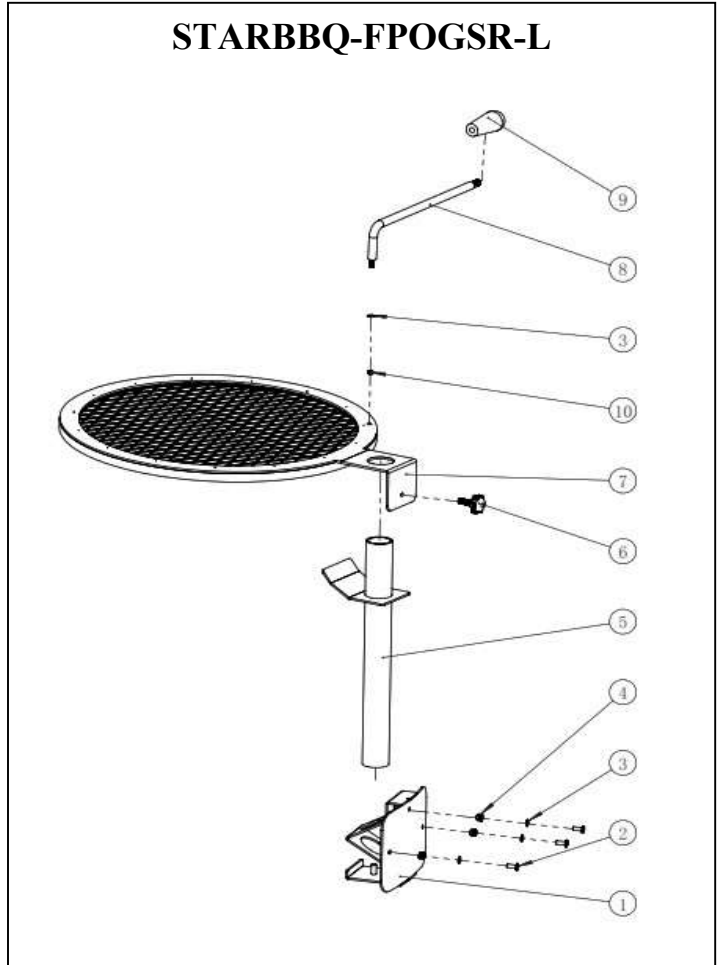
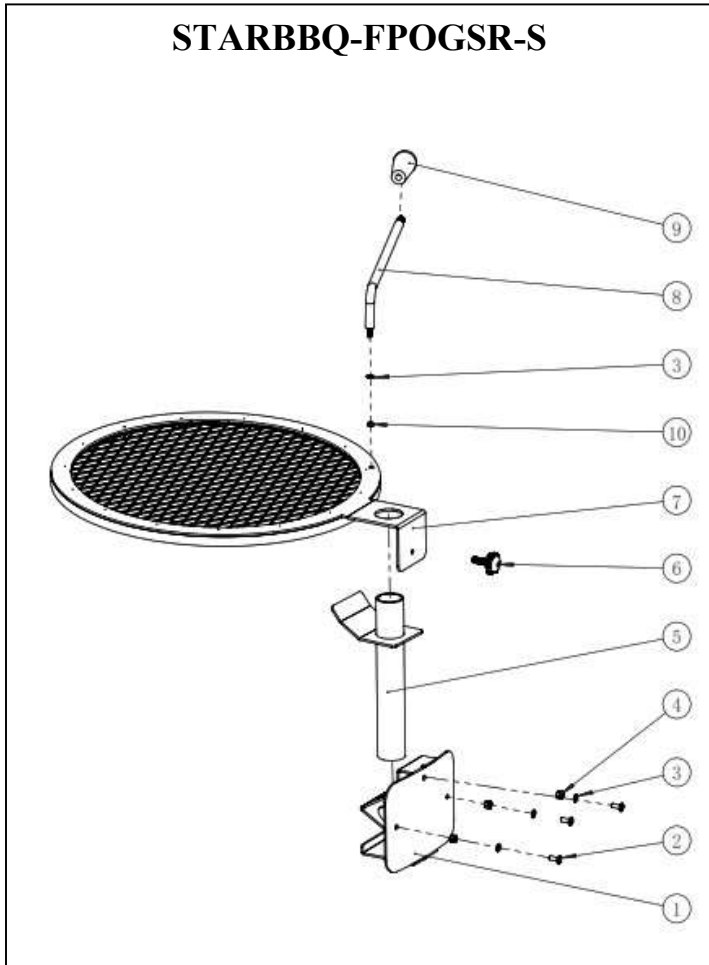




STARBBQ-36SFPR/STARBBQ-48SFPR

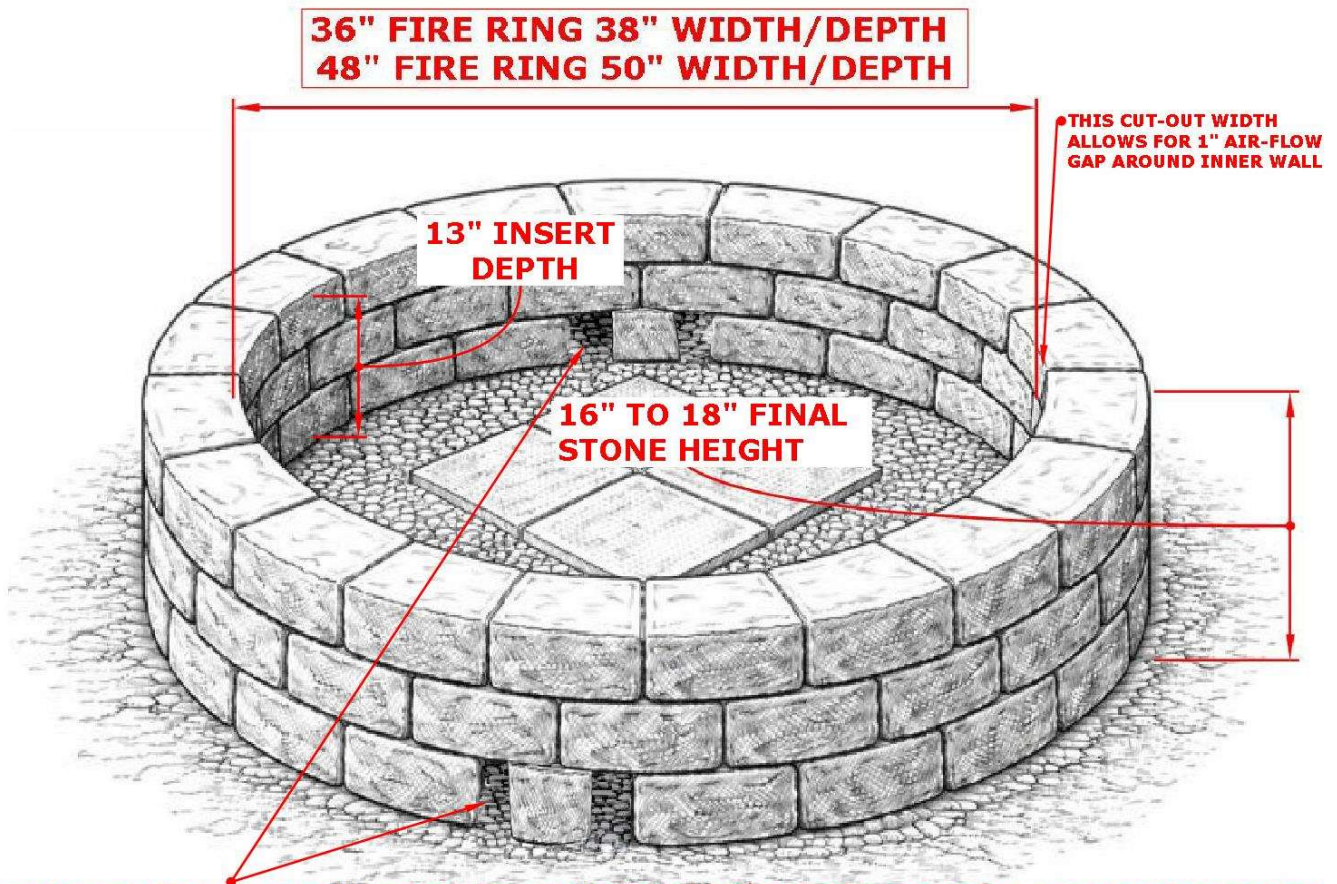
36 and 48-Inch Smokeless Fire Pit Ring

Item No.	Part Number	Description	Quantity
1	STARBBQ-36SFPR-H002X01	Fire Ring Guard Panel (Welded)	4
1	STARBBQ-48SFPR-H002X01	Fire Ring Guard Panel (Welded)	4
2	PSH-06010-016-304	Phillips Flat Head Machine Screw	8
3	M8X14X1.5	201 Stainless Steel Flat Washer	8
4	KXM-06010-304	304 Stainless Steel K-Type Lock Nut	8



STARBBQ-FPOGSR-S/L – (Sold Separately)

Item No.	Part Number	Description	Quantity
1	STARBBQ-FPOGSR-L-H003X01	Rotating Mount Assembly (Welded)	1
1	STARBBQ-FPOGSR-S-H003X01	Rotating Mount Assembly (Welded)	1
2	PSH-06010-016-304	Phillips Flat Head Machine Screw	3
3	PD-06010-1210-201	201 Stainless Steel Flat Washer, M6 × 12 × 1.0	4
4	KXM-06010-304	304 Stainless Steel K-Type Lock Nut	3
5	STARBBQ-FPOGSR-S-H002X01	Short Round Tube Support (Welded)	1
5	STARBBQ-FPOGSR-L-H002X01	Long Round Tube Support (Welded)	1
6	MHSNLS-08125-035-304	Star Knob Hand Screw	1
7	STARBBQ-FPOGSR-L-Z002X02	Cooking Grate Assembly	1
8	STARBBQ-FPOGSR-L-B011-GDX01	Handle Rod	1
9	STAR-240PGRIM-04X01	Black Phenolic Handle	1
10	SSM-06010-304	304 Stainless Steel All-Metal Three-Piece Lock Nut	1



LEAVE OPEN AIR-FLOW GAPS AT BASE OF STONE RING ON TWO ADJACENT SIDES, IF NEEDED SPLIT ONE STONE TO PLACE IN CENTER SUPPORTING UPPER STONES

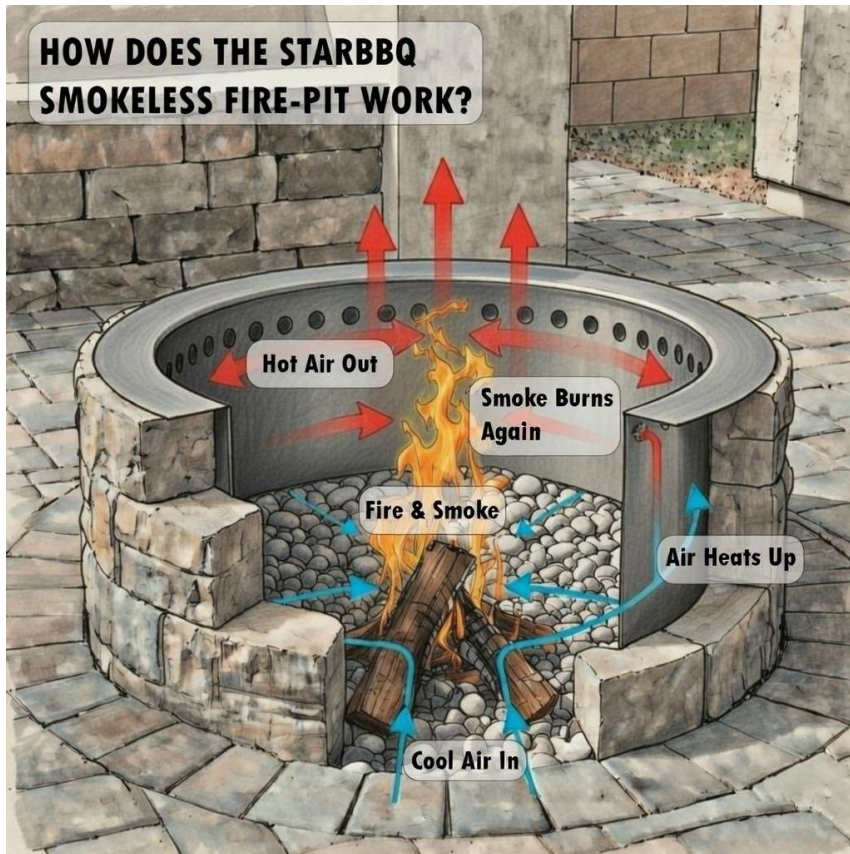
STARBBQ-36SFPR — 36" Smokeless Fire Ring

- **Recommended Cutout Opening:** 38" W × 38" D (38" DIA.) × 13" H
- **Airflow System:**
 - **Total Depth:** 13" from finished grade to base of cutout
 - Maintain a **1" clearance gap** between the fire ring insert and stone interior wall

STARBBQ-48SFPR — 48" Smokeless Fire Ring

- **Recommended Cutout Opening:** 50" W × 50" D (50" DIA.) × 13" H
- **Airflow System:**
 - **Total Depth:** 13" from finished grade to base of cutout
 - Maintain a **1" clearance gap** between the fire ring insert and stone interior wall

The STARBBQ™ Smokeless Fire Pit Insert achieves a cleaner, nearly smokeless burn through a specialized double-wall design that promotes secondary combustion. Here is a clear explanation of the process:



- 1. Primary Combustion:** Wood burns at the base of the insert, producing flames, heat, and initial smoke (unburned gases and particles).
- 2. Preheated Air Channels:** Cool air enters through the 1-inch gap at the bottom rim of the insert. As the fire heats the double-wall structure, this air is drawn upward between the inner and outer walls.
- 3. Secondary Air Injection:** The rising air becomes preheated as it travels through the channels. It then exits through the top row of air holes, injecting hot, oxygen-rich air directly above the flames.

- 4. Secondary Combustion:** The hot oxygenated air ignites the unburned smoke particles and gases rising from the primary fire. This “reburn” process consumes most of the smoke, resulting in a cleaner burn with significantly reduced visible smoke.
- 5. Optimal Conditions:** Required For the secondary combustion to work effectively:
 - The insert must reach full operating temperature (typically 15–20 minutes after steady flames).
 - Flames and logs must remain below the top row of air holes to allow proper air injection.
 - Bottom airflow must be unrestricted (1–2" elevation, no excess ash blocking the bottom gap).
 - Only dry, seasoned hardwood ($\leq 15\%$ moisture) should be used.

When these conditions are met, the fire burns hotter and cleaner, producing more heat with minimal smoke.

1. Select and Prepare the Final Location

Choose a permanent outdoor location that maintains a **minimum 25 ft clearance** from all buildings, overhangs, fences, tree branches, decks, and other combustible materials, including overhead clearance. Confirm the surface is **leveled, stable, and non-combustible**, such as concrete, pavers, compacted gravel, or bare earth. Verify all **local fire codes, burn regulations, and permit requirements** before proceeding.

2. Mark and Excavate the Installation Area

Mark a circular footprint centered on the chosen location.

- For the **36" model**, mark approximately **38–40 inches** in diameter.
- For the **48" model**, mark approximately **50–52 inches** in diameter.

Lightly excavate the marked area **2–3 inches deep** to remove loose material and create a clean, level base for the stone surround and airflow system.

3. Create the Required Elevated Base (Critical for Smokeless Performance)

- Inside the excavated area, create a **raised internal base** that will support the fire pit insert.
- Spread **1–2 inches of crushed gravel** and place **flat stone pavers or bricks** in the center so the insert will sit elevated above the surrounding ground.
- This elevation is **mandatory**. Primary combustion air enters beneath the insert and feeds the fire from below.
- **Do not place the insert directly on bare ground or a solid slab without elevation**, as this will prevent proper airflow and disable smokeless operation.

4. Assemble the Fire Pit Insert

Lay the four insert panels on a flat surface. Align all pre-drilled bolt holes. Insert the supplied stainless steel bolts and lock washers, then tighten firmly using the included wrench. Do not overtighten. Total assembly time is typically **under 10 minutes**.

5. Position and Level the Insert on the Elevated Base

Place the assembled insert onto the raised base. Using a leveler, confirm the insert is **perfectly level in all directions**. Adjust gravel or pavers as needed until level. Proper leveling is critical to ensure even airflow, uniform flame behavior, and correct seating against the stone surround.

6. Lay the First Course of Stone Blocks

Arrange the first course of retaining wall blocks or natural stone **around the insert**, maintaining a **uniform ½"–1" clearance gap** between the insert and the interior stone wall.

Use a 4-ft leveler across multiple stones to ensure the entire first course is perfectly level. This first course establishes the stability of the entire structure and must be accurate to prevent leaning or uneven stacking.

7. Stack Remaining Stone Courses

Continue stacking stone courses, **staggering joints like traditional brickwork** for strength and stability.

Recommended finished stone height:

- **36" model:** 4 courses (approximately **16 inches**)
- **48" model:** 4–5 courses (approximately **16–20 inches**)

Construction adhesive may be applied between courses for permanent installations, but stones may also be dry-stacked if desired.

8. Provide Required Airflow Openings at the Base

Leave **two open airflow gaps at the base of the stone surrounding on two adjacent sides**, exactly as shown in the cut-out diagram.

These openings allow fresh air to enter beneath the insert and are **essential for smokeless operation**.

Do **not** mortar, block, or fill these openings with gravel, soil, or debris.

If structural support is required above an opening, a stone may be split and placed centered beneath the upper course while maintaining unobstructed airflow paths.

9. Final Insert Positioning and Convection Seal Check

If the insert was removed during stone construction, carefully lower it back into the completed stone ring. Center the insert precisely. Confirm:

- The **bottom edge rests on the raised base**, leaving an air gap beneath
- The **top lip sits flush or slightly proud (no more than 1/8")** of the top stone course

This top alignment creates the **convection seal** required for proper secondary combustion and smokeless performance.

10. Optional Swivel Grill Installation (If purchased, or if already packaged in together.)

- Install the swivel grill bracket and post according to the supplied hardware.
- Use either the **short post** or the **tall post** for the 36" or 48" model.
- Tighten all set screws securely.
- The grill should rotate smoothly **180° over the fire** and swing completely out of the way when not in use.

11. Final Inspection and Site Cleanup

Inspect the stone surround for stability and alignment. Fill any large gaps with gravel or mortar if desired. Sweep the area clean.

Installation Complete

Your StarBBQ™ Smokeless Fire Pit Insert is now ready for its first fire. When installed correctly, the system will deliver **clean-burning flames, reduced smoke, and years of safe outdoor enjoyment**.

The StarBBQ™ Smokeless Fire Pit Insert uses a **natural two-stage combustion process** to dramatically reduce visible smoke while increasing heat output and fuel efficiency. This system relies on **proper airflow, precise geometry, and elevated installation** to function correctly.

1. Primary Air Intake (Bottom Feed)

Fresh air is drawn in from **beneath the fire pit insert** through the raised internal base created with gravel and flat stone pavers. This primary airflow feeds oxygen directly to the base of the fire, allowing wood to burn hotter and more efficiently from the bottom up.

2. Heat Expansion & Gas Rise

As the fire burns, hot gases and smoke naturally rise inside the insert. The double-wall design traps heat between the inner and outer walls, pre-heating incoming secondary air before it enters the combustion zone.

3. Secondary Combustion (Smoke Re-Ignition)

The heated air is forced through the **upper ring of precision-drilled vent holes** near the top of the insert. When this hot, oxygen-rich air mixes with rising smoke and unburned gases, it **re-ignites smoke particles**, burning them before they escape.

4. Clean, Efficient Flame

The result is a **cleaner, hotter fire** with dramatically reduced visible smoke, fewer airborne particulates, and improved fuel efficiency. Once operating temperature is reached, flames appear more vertical and stable, and smoke output is minimized.

Important:

For the smokeless system to work correctly, the insert **must be elevated**, airflow openings must remain unobstructed, and wood must not be stacked above the top row of air holes.

Follow these steps carefully to ensure proper break-in and optimal smokeless performance:

1. Start Small

Place **3–4 small split logs** or a loose teepee of dry kindling in the center of the insert. Avoid tightly packing wood during initial lighting.

2. Maintain Proper Load Height

Keep all wood **below the top row of air holes**. Overloading the insert prevents secondary combustion and will produce excess smoke.

3. Ignition

Light the fire using matches, a fire starter, or a propane torch. Do not use lighter fluid or chemical accelerants.

4. Initial Smoke Period

Some smoke during the first **10–20 minutes** is normal. During this time, the steel insert is heating and the secondary combustion system has not yet fully activated.

5. Smokeless Operation Begins

As the insert reaches operating temperature, the steel may glow **dull red** in low light. At this point, secondary combustion ignites and visible smoke will dramatically reduce or disappear entirely.

Once established, the fire can be maintained by adding seasoned hardwood in moderate amounts, always keeping logs below the top air-hole line.

For the best smokeless performance, longest burn time, and minimal smoke, always use **seasoned, dry hardwood** cut to lengths no longer than 18–20 inches.

Wood Type	Characteristics	Recommended Use
Oak	Very dense, slow-burning, high heat output, excellent coals	Primary firewood – ideal for long, hot fires
Hickory	Dense, hot-burning, great flavor and aroma	Primary firewood – excellent for cooking
Maple	Dense, hot-burning, good coals	Primary firewood
Cherry	Medium heat, pleasant sweet aroma, some sparking	Great for evening fires and light cooking
Birch	Burns quickly, bright flame, excellent starter wood	Kindling / fire starter
Ash	Burns hot even when slightly damp, easy to split	Excellent all-purpose hardwood
Pine / Fir / Redwood	High sap content, burns fast, heavy smoke and creosote buildup	Not recommended as primary fuel
Elm	Very dense, hard to split, smoky smell	Avoid
Chestnut	Low heat, heavy sparking and smoke	Avoid

Important:

- Never place wood above the top row of air holes on the insert. Overloading prevents proper secondary combustion and will create smoke.
- Maximum recommended wood load: keep flames and logs below the top lip of the insert.

Maintenance & Care

1. **Ash Removal** After every 2–3 fires (or when ash level reaches the lower air intake holes), scoop out cool ashes. Proper airflow underneath and through the side holes is required for the smokeless function.
2. **Extinguishing the Fire** Never pour water directly onto the hot stainless insert – this can cause warping. Allow the fire to burn out completely and coals to cool naturally.
3. **Weather Protection**
 - Always cover the fire pit with a lid or weather-resistant cover when not in use.
 - Rainwater entering an uncovered insert can fill the base, block airflow, and prevent smokeless operation until fully dried.
 - In winter climates, remove any standing water or snow from inside the insert before lighting.

STARBBQ™ 36" or 48" Smokeless Fire Pit Insert

Q. Fire pit is smoky (does not go smokeless).

- Insert not fully heated yet → wait 15–20 minutes after flames are steady
- Wood is wet or unseasoned → use only dry hardwood ($\leq 15\%$ moisture)
- Fire overloaded → logs or flames must stay below top row of air holes
- Bottom airflow blocked → confirm 1–2" elevation under insert and no ash covering lower holes
- Standing water inside insert → fully dry before lighting

Q. Fire starts hard or burns weakly.

- Ash level too high → scoop out cool ashes until lower holes are clear
- No air gap underneath → re-level and raise insert 1–2" on gravel/pavers
- Using softwood or trash → switch to dry, seasoned hardwood only

Q. Swivel grill wobbles or is loose.

- Set screws not tight → fully tighten both screws with provided Allen wrench
- Post not seated properly → remove and re-insert post firmly between two top-course blocks
- Blocks shifted → re-level top course and add construction adhesive if needed

Q. Too many sparks or popping.

- Burning pine, construction lumber, or wet wood → switch to seasoned hardwoods (oak, hickory, maple, ash, cherry) only

Q. Fire pit smells or smokes after rain.

- Water trapped inside → remove cover, let insert air-dry completely (may take 1–2 sunny days) before next fire
- Always store with a snug-fitting cover or optional Sunstone lid



ATTENTION: The Fire Pit Insert must be installed according to the product manual. If your installation does not meet the Basic Setup Instructions **ALL WARRANTIES MAY BE VOID.**

SUNSTONE STARBBQ™ 36" & 48" SMOKELESS FIRE PIT INSERT WARRANTY All Warranties Begin on Date of Purchase

LIMITED LIFETIME WARRANTY Sunstone Metal Products warrants the **heavy-gauge cold-rolled steel fire pit insert** and its high-temperature powder-coat finish against burn-through, cracking, or structural failure **for as long as the original purchaser owns the product** when used in normal residential outdoor settings. This warranty covers defects in material and workmanship under proper use and maintenance.

LIMITED ONE-YEAR WARRANTY All accessory items including the optional Post-Mount Swivel Grill, posts, set screws, and included assembly hardware are warranted to be free from defects in material and workmanship for a period of **one (1) year** from the original date of purchase.

LIMITATIONS & EXCLUSIONS

1. This warranty applies only to the original purchaser and is non-transferable.
2. Warranty is in lieu of all other warranties, expressed or implied.
3. Warranty is void if damage results from misuse, abuse, accident, alteration, improper installation (including failure to elevate the insert 1–2"), use of prohibited fuels, or failure to follow this manual.
4. Normal cosmetic wear including heat-induced discoloration of the powder-coat finish, minor surface scratches, or fading from prolonged sun exposure is not covered.
5. Sunstone is not responsible for damage caused by acts of nature, fire outside the insert, or use in commercial/public settings.
6. Sunstone shall not be liable for incidental, consequential, special, or contingent damages. Some states do not allow the exclusion of consequential damages, so this limitation may not apply to you.
7. No person or dealer has authority to modify or extend this warranty.

WHAT IS NOT COVERED

- Normal heat tint, discoloration, or fading of powder-coat finish
- Damage from using accelerants, wet/untreated wood, or overloading
- Labor, shipping, or travel charges
- Service calls for issues caused by improper installation or use
- Damage from failure to cover when not in use (water accumulation, freeze damage, etc.)
- Customer-supplied stone blocks or any third-party materials
- Commercial or rental use

HOW TO OBTAIN WARRANTY SERVICE Contact Sunstone Metal Products directly: Address: **16004 Central Commerce Dr., Pflugerville, TX 78660** Phone: **888-934-9449** (M–Thur. 9 am-4 pm CST) Email: support@sunstonemp.com Web: sunstonemp.com

Please have your model size (36" or 48"), proof of purchase, and clear photos ready. Our Texas-based team will handle your claim quickly and professionally.