



UNIVERSAL APPLIANCE JACKET

**PRODUCT**  
25" APPLIANCE JACKET  
  
**Item No.** SUNJK25

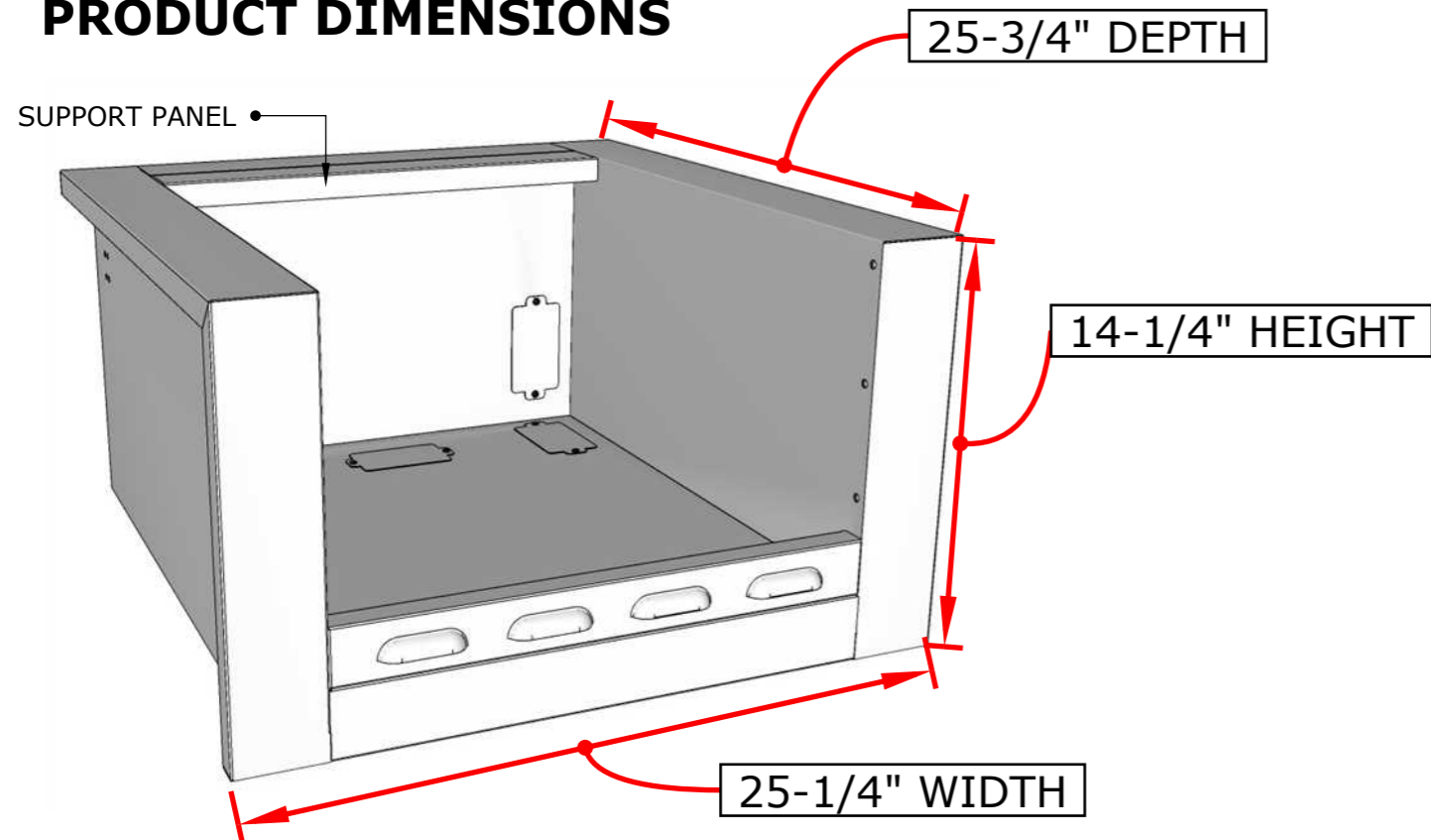
**DESCRIPTION**  
25" JACKET FOR GRILLS WITH  
MAX CUT-OUT OF 19"W X 12"H X  
22"D - WORKS WITH MOST 20-  
21" POWER BURNERS

**PRODUCT DIMENSIONS**  
25-1/4" WIDTH x 14-  
1/4" HEIGHT x 25-3/4"  
DEPTH

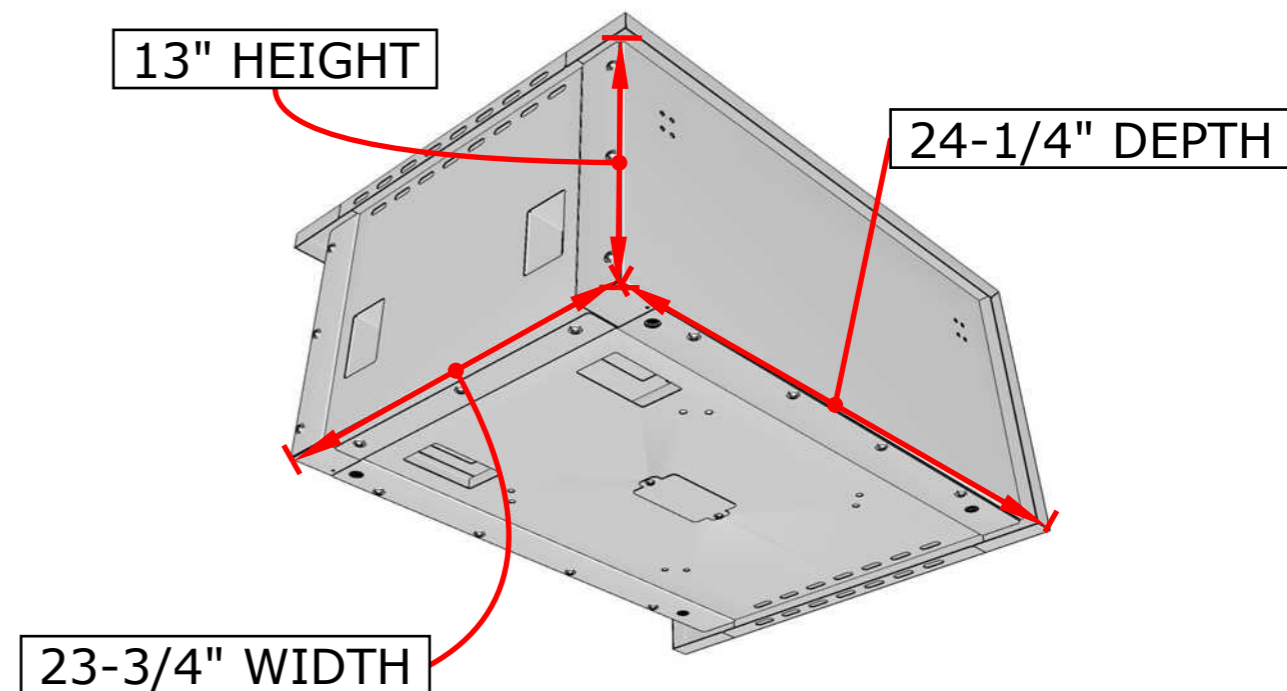
**CUT-OUT DIMENSIONS**  
23-3/4" WIDTH x 13"  
HEIGHT x 24-1/4"  
DEPTH

**SLEEVE DIMENSIONS**  
19" WIDTH x 10" H W/  
VENT PANEL x 20-1/2"  
D W/SUPPORT PANEL

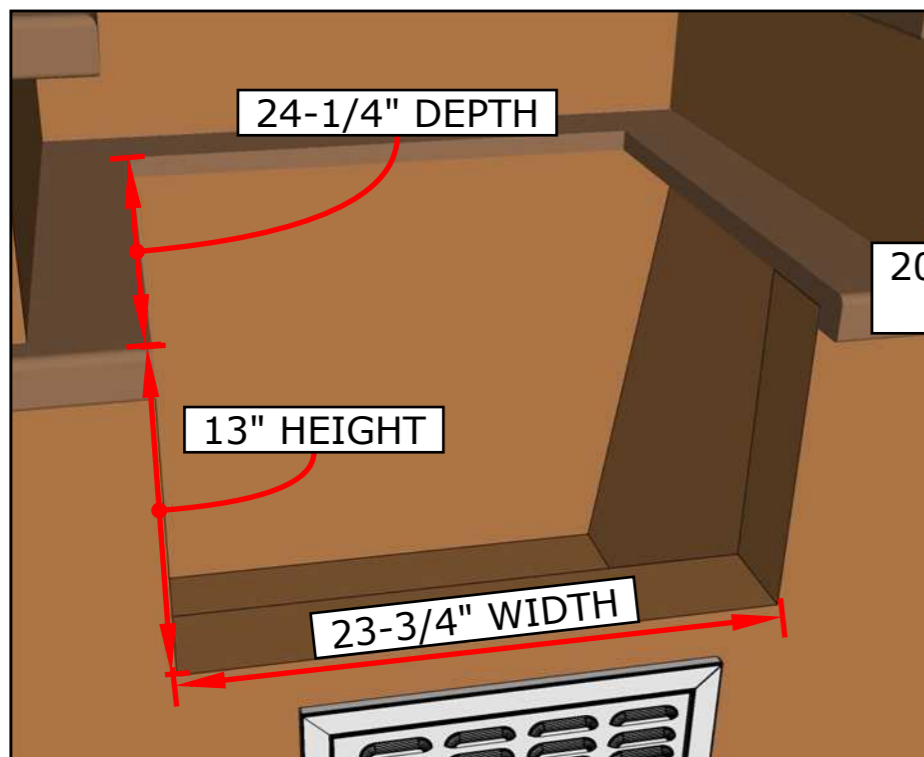
### PRODUCT DIMENSIONS



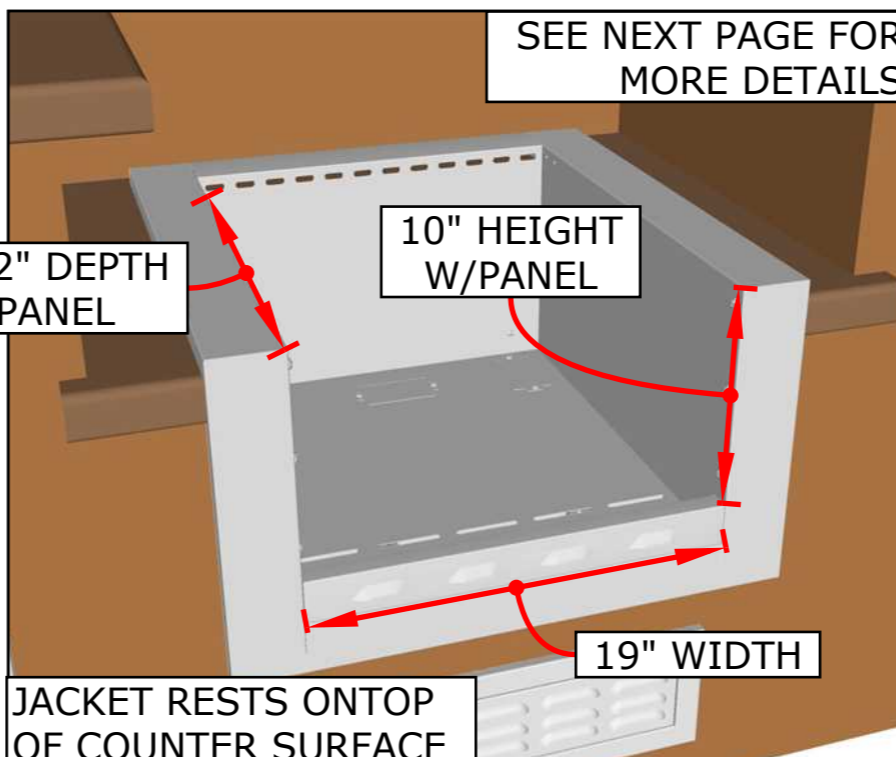
### CUT-OUT DIMENSIONS



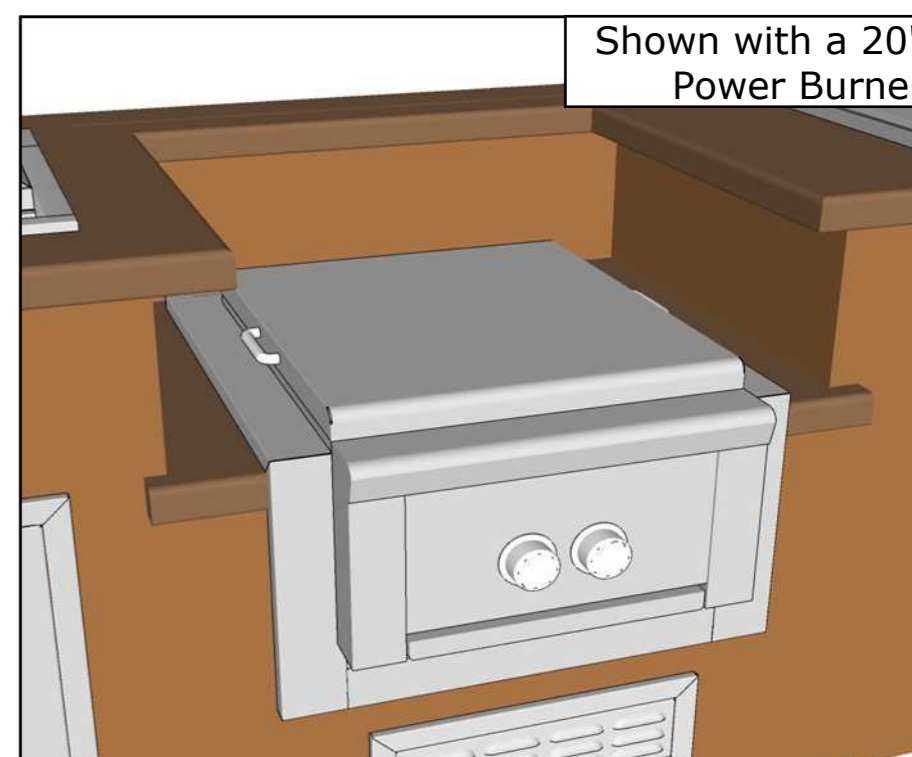
### ISLAND CUT-OUT DIMENSIONS



### JACKET SLEEVE DIMENSIONS



### APPLIANCE & JACKET RESULT





UNIVERSAL APPLIANCE JACKET

**PRODUCT**  
25" APPLIANCE JACKET  
  
**Item No.** SUNJK25

**DESCRIPTION**  
25" JACKET FOR GRILLS WITH  
MAX CUT-OUT OF 19"W X 12"H X  
22"D

**PRODUCT DIMENSIONS**  
25-1/4" WIDTH x 14-  
1/4" HEIGHT x 25-3/4"  
DEPTH

**CUT-OUT DIMENSIONS**  
23-3/4" WIDTH x 13"  
HEIGHT x 24-1/4"  
DEPTH

**SLEEVE DIMENSIONS**  
19" WIDTH x 10" H W/  
VENT PANEL x 20-1/2"  
D W/SUPPORT PANEL

Disclaimer: The trademarks used in the "Product Option" column below belong to their respective owners who do not sponsor nor are they affiliated with Sunstone Metal Products, L.L.C. The specific product Cut-Out Dimensions have not been directly confirmed by any Sunstone Metal Products LLC, representative or employee. Use own discretion to confirm exact product fit.

Model Number	Sleeve Cut-Out	Product Option
<b>SUNJK18</b>	12" WIDTH X 10" HEIGHT OR 12" MAX HEIGHT W/VENT PANEL REMOVED X 20" DEPTH OR 22" DEPTH W/SUPPORT PANEL REMOVED	<b>Sunstone® 13" Companion Pro - SUN13CPRO, Sunstone® 13" Double Burner - SUN13VDB, DCS® 14" Double Burner, Coyote® 13" Double Burner, Twin Eagles® 13" Double Burner, Fire Magic® Double Burner</b>
<b>SUNJK20</b>	14" WIDTH X 10" HEIGHT OR 12" MAX HEIGHT W/VENT PANEL REMOVED X 20" DEPTH OR 22" DEPTH W/SUPPORT PANEL REMOVED	16" Blaze® Power Burner, 16" Blaze® Premium Power Burner, 16" RCS® Pro Power Burner
<b>SUNJK25</b>	19" WIDTH X 10" HEIGHT OR 12" MAX HEIGHT W/VENT PANEL REMOVED X 20" DEPTH OR 22" DEPTH W/SUPPORT PANEL REMOVED	21" Fire Magic® Power Burner, 20" Lynx® Power Burner
<b>SUNJK29</b>	23" WIDTH X 10" HEIGHT OR 12" MAX HEIGHT W/VENT PANEL REMOVED X 20" DEPTH OR 22" DEPTH W/SUPPORT PANEL REMOVED	<b>Sunstone® 24" Power Cirque SUN24PCB, DCS® 24" Power Burner, DCS® 30" Burner w/Griddle, Coyote® 24" Power Burner, Hestan® Power Burner, Alfresco® 24" Versa Power, Blaze® 25" 3-Burner Grill AMG® 24" Power Burner</b>
<b>SUNJK33</b>	26" WIDTH X 10" HEIGHT OR 12" MAX HEIGHT W/VENT PANEL REMOVED X 20" DEPTH OR 22" DEPTH W/SUPPORT PANEL REMOVED	<b>Sunstone® 28" Charcoal SUNCHDZ28, Sunstone® 30" Hybrid Grill SUNCHSZ30, Sunstone® 30" Ruby Grill RUBY3B, Blaze® 32" 4-Burner Grill, Fire Magic® Aurora® Grill, Coyote® 28" 2-Burner Grill</b>
<b>SUNJK40</b>	34" WIDTH X 10" HEIGHT OR 12" MAX HEIGHT W/VENT PANEL REMOVED X 20" DEPTH OR 22" DEPTH W/SUPPORT PANEL REMOVED	<b>Sunstone® 36" 4-Burner Grill RUBY4B &amp; RUBY4BIR, Coyote® 36" Charcoal Grill, Twin Eagles® 36" 3-Burner Grill</b>
<b>SUNJK45</b>	39" WIDTH X 10" HEIGHT OR 12" MAX HEIGHT W/VENT PANEL REMOVED X 20" DEPTH OR 22" DEPTH W/SUPPORT PANEL REMOVED	<b>Sunstone® 42" Hybrid Grill SUNCHDZ42, Sunstone® 42" 5-Burner Grill RUBY5BIR, Blaze® 40" 5-Burner Grill, Napoleon® 42" 5-Burner Grill, Lion® 40" 5-Burner Grill, Coyote® 42" 5-Burner Grill, Fire Magic® 36" Gas Grill, Summerset® 38"(40") 4-Burner Grill, Bull® 38" 5-Burner Grill</b>

