



User Manual

Portable Air Conditioner

Before using your TOSOT Portable Air Conditioner please read this user manual in its entirety.

MODEL NUMBERS

5,000 BTU-GPC05AK-A6NNA1A

6,000 BTU-GPC06AK-A6NNA1A

TOSOT

Welcome to the TOSOT Direct Family!

We're extremely happy to welcome you as a new member of our family! Please read the tips below before using your product for the first time.

Tips for First-Time Use


1. The portable air conditioner is a heavy object, which needs two or more people to lift and install. Failure to do so could result in injury or other accidents.
2. Allow the unit to sit upright for at least 3-4 hours before powering on. Shipping carriers may set the unit on its side, which causes the refrigerant to pool in certain areas. Standing the unit upright for 3-4 hours allows the refrigerant to move freely within the coils.
3.  Run the unit continuously for 24 hours after letting the unit stand upright for 3-4 hours. During this period, please pay more attention to any defective problem of unit. To avoid any loss to your house, please make sure your unit has no any defective problem caused by shipping damage such as leakage before using it on the rugs or carpeting.
4. Some parts with sharp edges may cause injury, so gloves are highly recommended for unpacking and installing.
5. For a quick start video guide of installation, please contact Customer Support.
6. If you have any problems with your product, please send us an email before submitting a return request, as there might be a simple solution for your issue.

Table of Contents

Safety and Instructions	01
Installation and Setup	01
The Refrigerant	02
Electrical Safety Warning	02
Parts Description	06
Operation	07
Control Panel	07
Remote Control	09
Combination Buttons	11
App Control	12
Replacing the Batteries	28
Installation	28
Tools Required	28
Parts List	29
Installing Your AC	30
Installing the Exhaust Hose	35
Removing Collected Water	36
Installing the Power Cord Hooks	38
Cleaning and Maintenance	39
Maintenance Checklists	40
Troubleshooting	41
Malfunction Codes	42
Warranty&Customer Support	44

Safety and Instructions

Please read all instructions before use and save this user manual for future reference. A digital version can be obtained from Customer Support.

Your safety and the safety of others are very important to us. We have provided many important safety messages throughout this manual and on the appliance itself. Always read and follow all posted safety messages.

To reduce the risk of fire, electric shock, injury, or death to persons using or near this appliance, please follow some basic safety precautions. These precautions include, but are not limited to, the following:

Installation and Setup

- This appliance is not intended for use by any persons (including children) with reduced or restricted physical, mental, or sensory capabilities, or lack of experience and knowledge, unless under the direct supervision of a person responsible for their safety.
- Please keep plastic bags and sheets out of the reach of children as they might be mistakenly used for play. Packaging materials can become airtight chambers and may pose a risk of suffocation if not disposed of properly.
- When installing or moving the appliance, be careful not to pinch, crush, or damage the power cord.
- Never attempt to operate this appliance if it is visibly damaged, malfunctioning, disassembled or has missing or broken parts. This includes exposed wiring on a damaged cord or electrical plug. All repairs and servicing must be performed by qualified service personnel. Use only authorized TOSOT factory OEM parts.
- Keep the product away from fire. Do not store or use flammable gases or materials near the appliance.
- Do not use heating equipment near the appliance.
- In the event of a gas leak (propane gas, LP gas, etc.) do not operate this or any other appliance. Open a window or door to ventilate the area immediately.
- Only use the appliance in an upright position. Make sure the angle of inclination <math>< 10^\circ</math>. Always place the appliance on a stable, flat, level surface to prevent the air conditioner from overturning.

The Refrigerant

- This air conditioner utilizes fluoride R-32 refrigerant, which is a next-generation refrigerant that efficiently carries heat and has a lower environmental impact than other refrigerants.
- The refrigerant is flammable and inodorous. Furthermore, it can lead to explosions under certain conditions. However the flammability of the refrigerant is very low and can only be ignited by fire.
- Compared to other common refrigerants, R32 is a nonpolluting refrigerant with no harm to the ozone layer of the atmosphere. The influence of the greenhouse effect is also lower. R32 has very good thermodynamic features which lead to really high energy efficiency. The units, therefore, need less filling and maintenance.
- The appliance should be stored in a room without continuously operating ignition sources, for example: open flames, an operating gas appliance, or an operating electric heater.
- Ducts connected to an appliance should not contain an ignition source.
- Keep any required ventilation openings clear of obstructions.
- Do not pierce or burn the appliance or any of its components.
- Be aware that refrigerants may not contain an odor in the presence of a leak.
- Do not use means to accelerate the defrosting process or to clean, other than those recommended by the manufacturer.
- Servicing shall be performed only as recommended by the manufacturer.



A2L

Appliance filled with flammable gas R32.

Electrical Safety Warning

- If the power cable is damaged, it must be replaced by the manufacturer or an authorized technical service center in order to avoid all risk.

- Do not damage, alter, excessively bend, twist, pull or heat the power cord.
- Do not cover the power cord with a rug or carpeting.
- Do not rest hot or heavy objects on the appliance and power cord.
- Always plug into a fixed 115V AC ground outlet.
- Never plug or unplug the appliance with wet hands.
- Push the power plug all the way into the wall outlet so that it will not loose.
- Always grip the plug firmly and pull straight out from the outlet when taking it out.
- Never unplug the appliance by pulling on the power cord.
- Never use the appliance if the outlet is damaged or loose.
- This product should be plugged directly into a power outlet. Power outlets should be properly rated, protected, and sized in order to avoid electrical overload.
- Do not cut or remove the third (ground) prong from the power cord.
- Always unplug the unit from the outlet before cleaning or maintenance operations.
- Your air conditioner must be used in a properly grounded wall receptacle. If the wall receptacle you intend to use is not adequately grounded or not protected by a time-delay fuse or circuit breaker, have a qualified electrician install the proper wall power receptacle before using this appliance.
- Be sure that the air conditioner is properly grounded. To minimize shock and fire hazards, proper grounding is important. The power cord is equipped with a three-prong grounding plug for protection against shock hazards.
- Do not run the air conditioner without the plastic shell in place. This could result in mechanical damage within the air conditioner.

FCC ID Information

This device complies with part 15 of the FCC Rules. Operation is subject to the condition that this device does not cause harmful interference.

NOTE: This equipment has been tested and found to comply with the limits for a Class B digital device, pursuant to part 15 of the FCC Rules. These limits are designed to provide reasonable protection against harmful interference in a residential installation. This equipment generates, uses and can radiate radio frequency energy and, if not installed and used in accordance with the instructions, may cause harmful interference to radio communications.

However, there is no guarantee that interference will not occur in a particular installation. If this equipment does cause harmful interference to radio or television reception, which can be determined by turning the equipment off and on, the user is encouraged to try to correct the interference by one or more of the following measures:

- Reorient or relocate the receiving antenna.
- Increase the separation between the equipment and receiver.
- Connect the equipment into an outlet on a circuit different from that to which the receiver is connected.
- Consult the dealer or an experienced radio/TV technician for help.

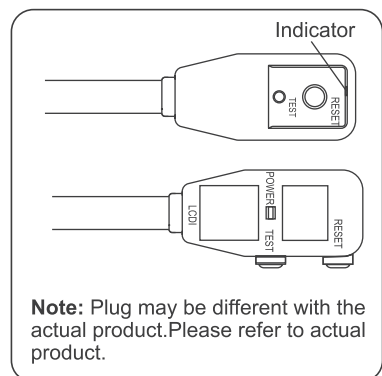
LCDI Power Plug (Leakage Current Detection and Interruption)

The power cord used with this air conditioner contains a current detection device designed to reduce the risk of fire. In the event that the power supply cord is damaged, it cannot be repaired. The power supply cord must be replaced with a replacement cord received from the manufacturer by a trained service technician.

Always finish the test of LCDI plug before use:

Follow 4 steps on the LCDI plug case, if the TEST button does not cause the circuit breaker trip or the RESET button will not stay engaged, unplug the air conditioner immediately and contact Customer Support.

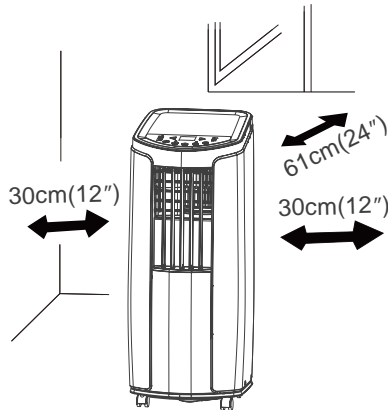
1. Plug in the air conditioner.
2. The power supply cord will have two buttons on the plug head. If you press the **TEST** button you should notice a clicking noise as the **RESET** button pops out.
3. Press the **RESET** button again, and you will notice a clicking noise as the button engages.
4. The power supply cord is now supplying electricity to the unit.



- Do not use the LCDI plug to turn the unit on or off
- Always make sure the **RESET** button is pushed in for correct operation
- The power supply must be replaced if it fails to reset when either the **TEST** button is pushed, or it cannot be reset. Please contact us for more information.

Recommended Operating Environment

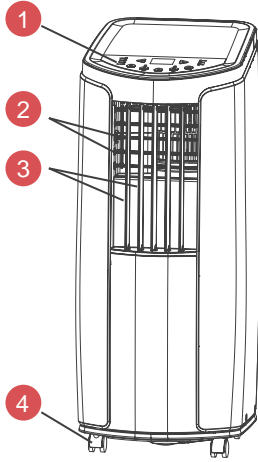
- The recommended operating temperature range is 61°F -95°F (16°C-35°C).
- The appliance is for indoor use only.
- The appliance must be positioned so that the plug is easily accessible.
- This air conditioner is intended for residential use, not for commercial or industrial purposes.
- Open space around the air conditioner should be at least 12 inches (30cm) to ensure airflow.
- Please keep the air inlet and air outlet clean and free from obstacles.
- During operation, close doors and windows to improve the cooling effect in the room.
- Please put the air conditioner on smooth and flat ground to avoid noise and vibration.
- Avoid direct sunlight exposure.



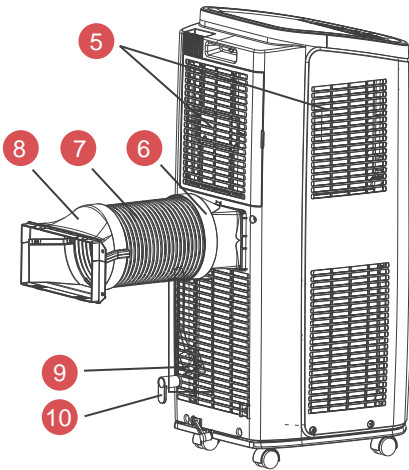
Note: The following locations or conditions may cause malfunction or damage to your air conditioner. Avoid running the air conditioner under the following conditions:

- Near strong heat sources, vapors, flammable or explosive gas, or volatile objects spread in the air.
- Around any high-frequency devices (such as welding machines or medical equipment.)
- Any place with oil or oil fumes in the air.
- Any place with a high concentration of sulfurated gas.

Parts Description



- 1 Control Panel
- 2 Vertical Airflow Louver
- 3 Horizontal Airflow Louver
- 4 Caster Wheels
- 5 Air Intake
- 6 Joint
- 7 Exhaust Hose
- 8 Rear Clip
- 9 Power Cord
- 10 Power Cord Hooks

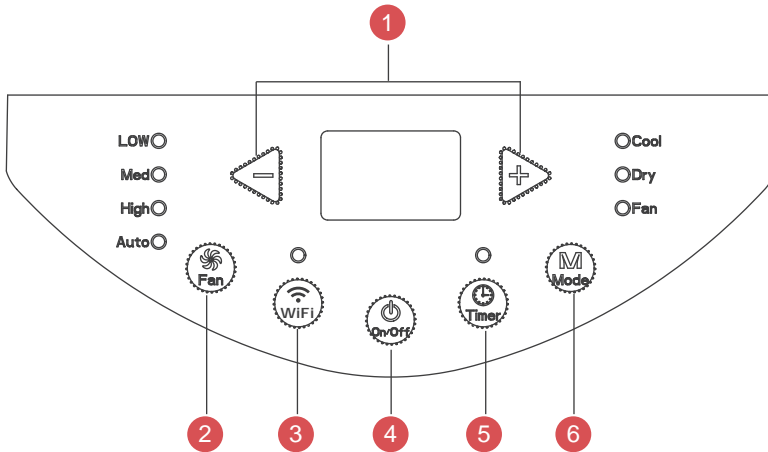


Remote Control

This picture is only for reference. Please refer to the actual product for the appearance.

Operation

Control Panel



- | | |
|---------------|-----------------|
| 1 +/- Button | 4 ON/OFF Button |
| 2 Fan Button | 5 Timer Button |
| 3 WiFi Button | 6 Mode Button |

Notes:

- After powering the air conditioner on, the air conditioner will emit a single beeping sound after powering on. After that, you can operate the air conditioner by using the control panel or remote.
- The air conditioner will emit a beep after pressing each button on the control panel.
- The dual-8 nixie tube on the control panel will display the set temperature when in cooling mode, but won't display anything in other modes. The dual-8 nixie tube won't display anything while the air conditioner is powered off.

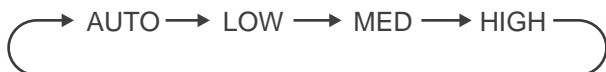
1 +/- Button

- Pressing this button will allow you to change the temperature setting.
- After pressing the timer button, the +/- buttons will adjust the timer setting from 0.5-24 hours in 0.5-hour increments. After the 10-hour mark, the +/- button will adjust the timer setting in 1-hour increments. It will take 5 seconds for the timer settings to be confirmed by the machine.

Note: This button is not valid under dry and fan model.

2 Fan Button

Pressing this button will cycle the fan speed through one of 4 fan modes, as shown below:



3 WiFi Button

After the unit is powered on, press WiFi button to switch on/off the WiFi function. Press and hold the button for 10s to reset the WiFi function.

4 ON/OFF Button

Press to power the air conditioner **ON** or **OFF**.

5 Timer Button

When the unit is running, press this button to schedule when the unit will power off by using the +/- button to adjust the length of time before powering off. When the unit is not running, press this button to schedule when the unit will power on by using the +/- button to adjust the length of time before powering on.

6 Mode Button

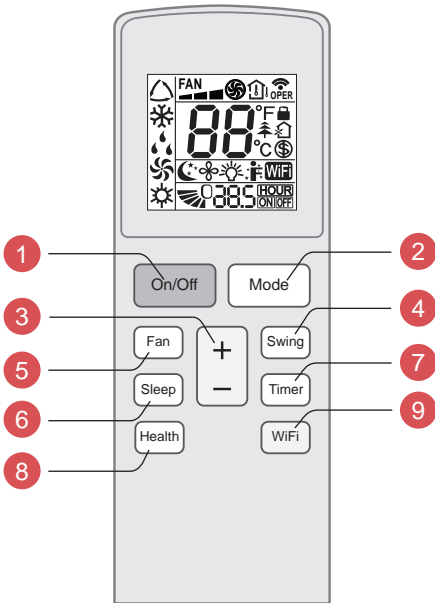
Pressing this button will cycle through the following modes, as shown below:



Remote Control

This is a universal remote control for a variety of models. If your model does not have a function listed on the remote control, there will be no changes in the operation of your unit. The max range of the remote control is 25 feet with no obstacles or interference from other devices, such as wireless phones or fluorescent lamps.

The air conditioner will emit a beep sound if the signal from the remote has been received successfully.



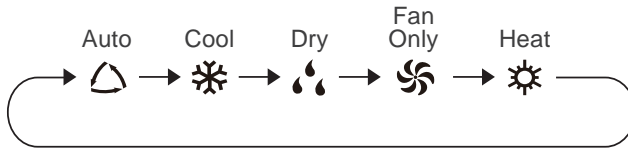
- 1 On/Off Button
- 2 Mode Button
- 3 +/- Button
- 4 Swing Button
(Not available for this unit.)
- 5 Fan Button
- 6 Sleep Button
- 7 Timer Button
- 8 Health Button
(Not available for this unit.)
- 9 WiFi Button

1 ON/OFF Button

Press to power the air conditioner **ON** or **OFF**.

2 Mode Button

Press this button to cycle through the following modes. A corresponding logo indicator on the left side of the remote will be shown.



- a. Auto mode: The air conditioner will adjust the fan speed automatically to maintain the set temperature. In this case, set temperature cannot be adjusted.
- b. Cool mode: Standard cooling mode. The set temperature and fan speed can both be adjusted.
- c. Dry mode: The unit will run on low speed for dehumidification. The fan speed cannot be adjusted.
- d. Fan Only mode: The air conditioner will not produce cool air, only blow air from the outside. The fan speed can be adjusted.
- e. Heat mode: Not available for this model.

3 +/- Button

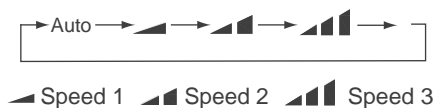
- Pressing the “+” or “-” button will increase/decrease the set temperature by 1°F. Holding the button for 2 seconds will cause the temperature to change rapidly. Release the button once your desired temperature is reached.
- After pressing the Timer button, each press of the +/- button will increase/decrease the time by 0.5 hours. Holding the button for 2 seconds will cause the timer to change rapidly. Release the button once your desired time setting has been reached.

4 Swing Button

Not available for this model.

5 Fan Button

Press this button to cycle through the Auto mode and 3 fan speeds (Low, Medium, High). Under auto fan speed, the air conditioner will automatically adjust the fan speed according to ambient temperature.



6 Sleep Button

Press this button to enter the sleep operation mode. While in sleep mode, you can only use the Cool modes. When in sleep mode, the AC temperature will automatically increase by 2°F for first hour and 4°F for second hour and then will keep running with this temperature.

7 Timer Button

Press this button to activate the timer button. Use the +/- buttons to adjust the length of the timer before the unit powers off. The time setting range is 0.5-24 hours, in 0.5-hour increments. Press the timer button a second time to confirm the timer setting. If the characters on the display are blinking, you must press the Timer button again to confirm the timer setting. If you have confirmed a time setting, you can press this button again to cancel the timer mode.

8 Health Button

Not available for this model.

9 WiFi Button

Press this button to turn on the WiFi function. An icon will be shown on the remote screen. Hold this button for 5s to turn off this function.

With the remote powered off, press the “MODE” and WiFi buttons simultaneously to reset WiFi to factory settings.

Combination Buttons

Light Function

Press and hold the “+” and “FAN” buttons simultaneously for 3 seconds to turn the lights on the air conditioner on or off. The default setting after being powered on is for the lights to be on.

Change Between °F and °C

With the remote powered off, press the Mode and “-“ buttons simultaneously to switch between Fahrenheit and Celsius displays.

App Control

Install App

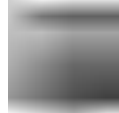
1. Scan the QR code or search for "GREE+" in the App Store or Google Play Store to download and install.



GREE+



GET IT ON
Google Play



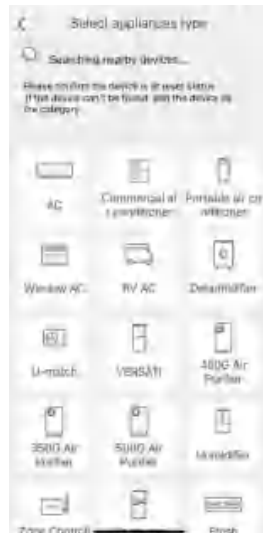
Download on the
App Store

2. Open the "GREE+" App after installation. You can create a new account or log in with an existing account.

Note: Please allow the app to use your location, network and Bluetooth.

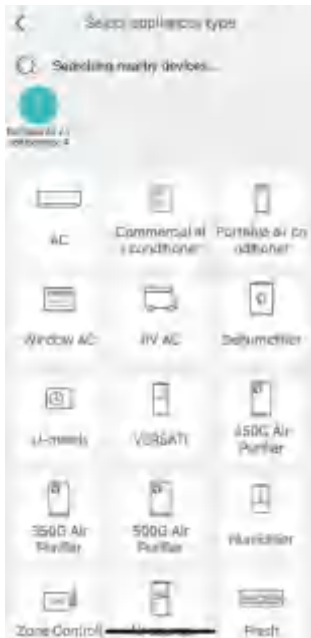
Add device

After successful login, you are at the "My Home" screen. Make sure that your smartphone's Wi-Fi and Bluetooth are turned on. Add a device by tapping the "+" button as shown in the picture. It automatically starts searching for devices. Make sure the WiFi indicator is light on.

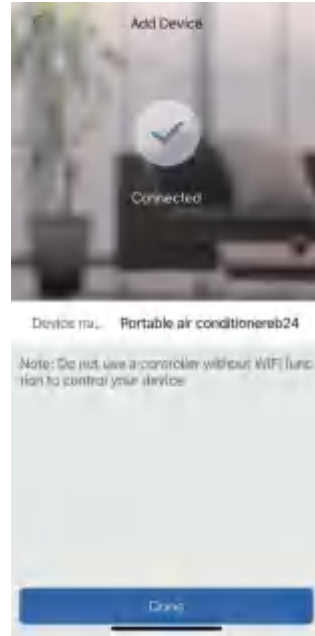
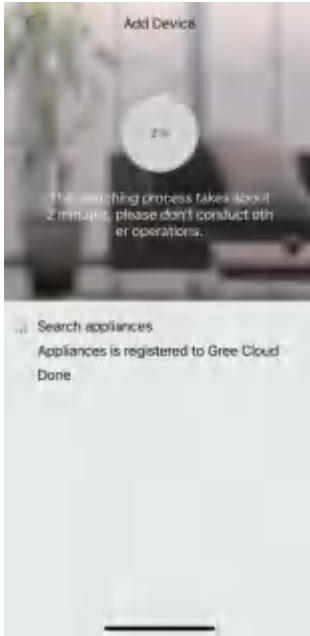


a. The available device icon will be displayed once discovered.

(1) Tap the icon to enter the next step. Select your preferred Wi-Fi network (5GHz Wi-Fi is not yet supported) , enter your WiFi password, then tap the “Next” button.

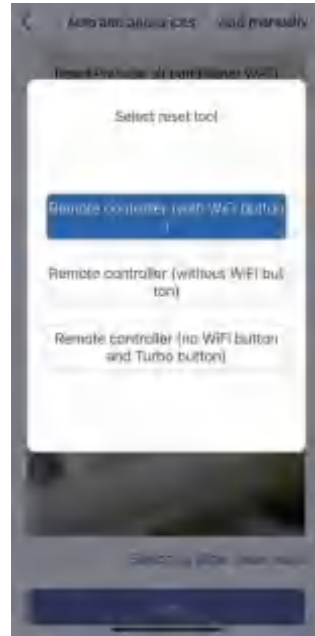
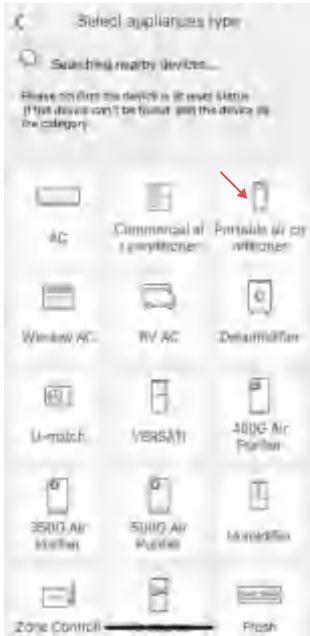


(2) The App will start to search for new devices. Wait for 2 minutes or until the device is connected. The Device name can be customized. Tap “Done”. Once the device is added successfully, you will return back to the “My home” page.

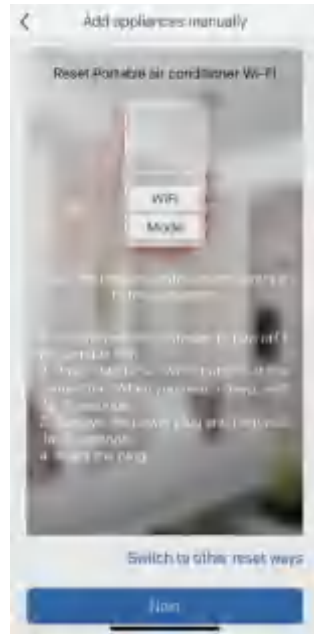


b. If no device is found, please manually add your device.

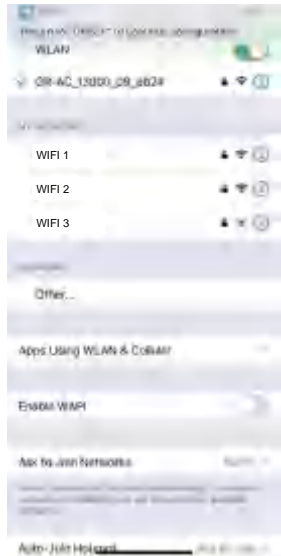
- (1) Tap the device category icon and follow the instruction to reset your WiFi. For this model, Tap “Portable air conditioner” and then choose “Remote control (with WiFi button)”.



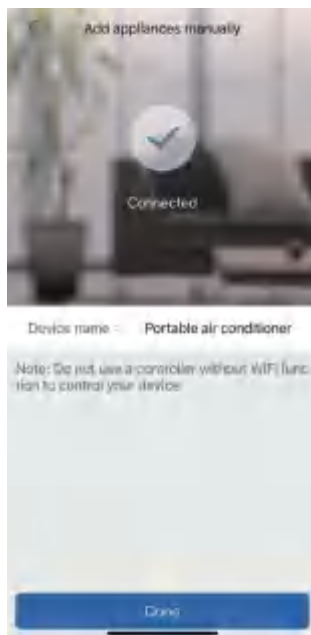
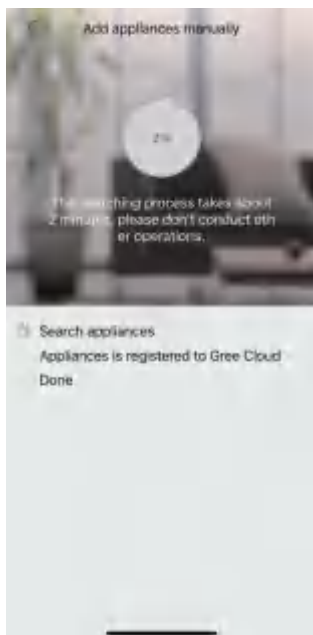
(2) Tap “Add manually” and follow the instructions. Hold the remote control and direct it to the device. With the remote control powered off, press the “Mode” and “WiFi” buttons simultaneously for 3 seconds. Once you hear a beep sound, wait for 5 seconds and then remove the power plug. After 3 seconds, insert the power plug. Tap “Next” to enter the next step.



(3) Select your preferred Wi-Fi network (5GHz WiFi is not yet supported), enter the password, then tap the “Search device” button. Tap “Next” to connect your mobile phone WiFi to the hotspot “GR-AC-XXXX”, the password is 12345678. When the connection is successful, return to the App.



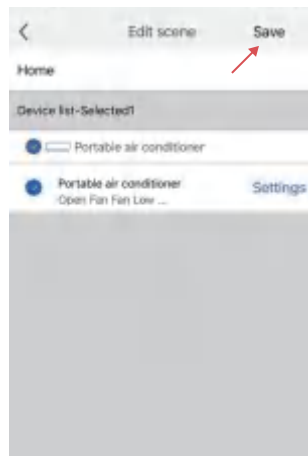
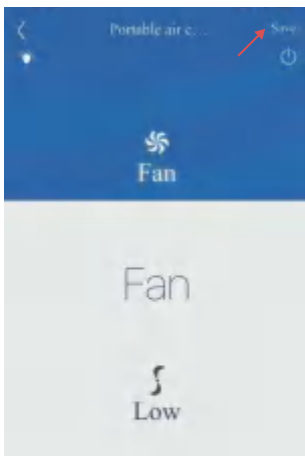
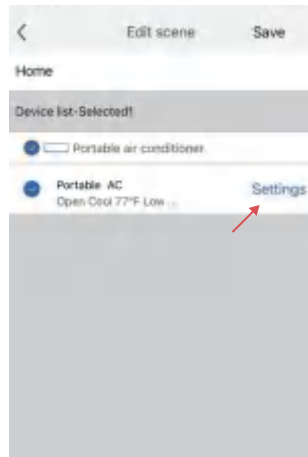
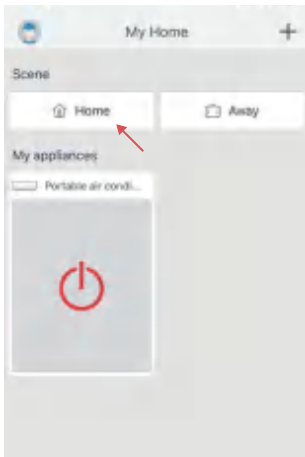
- (4) The App will start to search for devices. Wait for 2 minutes or until the device is connected. The device name can be customized. Tap “Done”. Once the device is added successfully, you will return to the “My home” page.



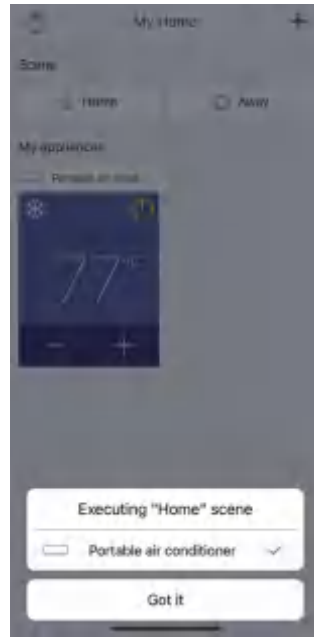
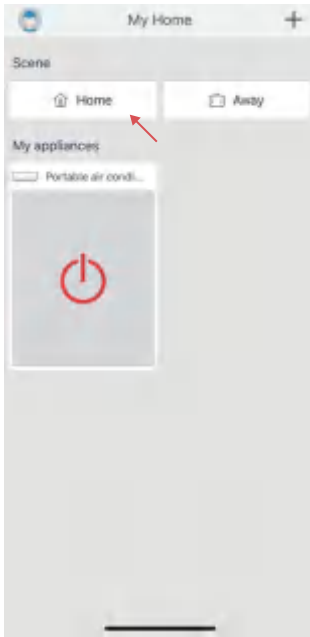
My Home

Scene

- This function allows you to activate all settings with one click. Home and Away are the two default scenes.
- Tap the scene button to edit your desired setting for the first use. Tap “Setting” to make your customizations then tap the “Save” button. The scene setting will be saved.

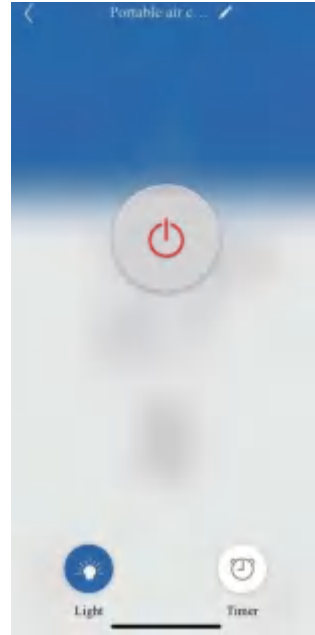
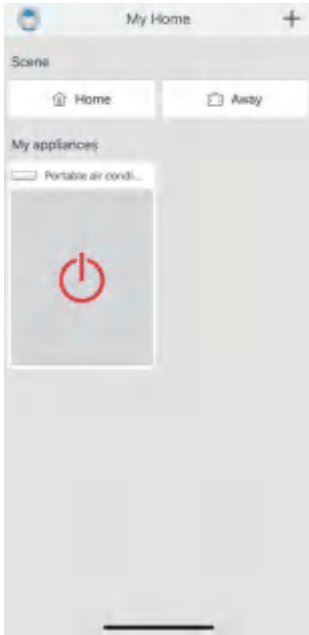


- If you want to execute the preset modes , tap the scene button. The APP will pop up a window to tell you the setting is done.

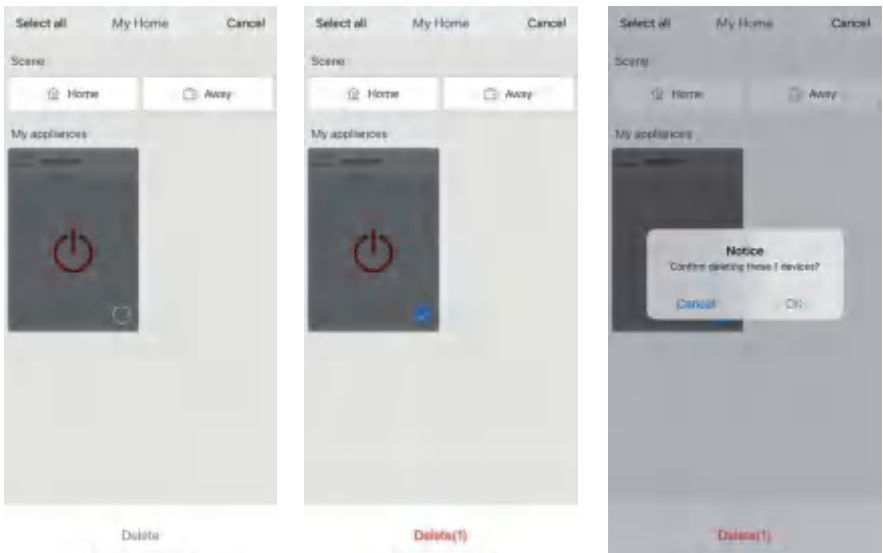


My appliances

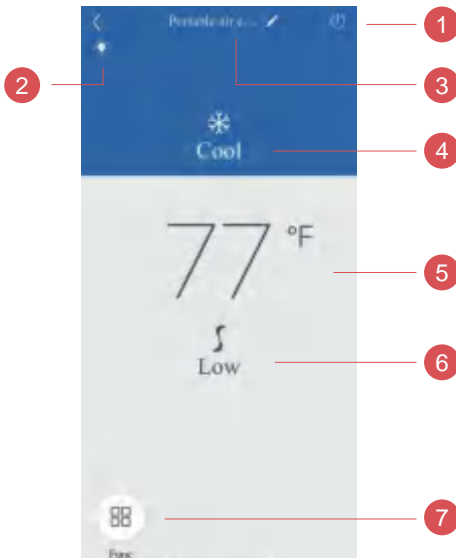
- This screen shows the real time status of all your devices. Tap the appliance icon to start control. Tap the power button to turn on the air conditioner.



- Long press the appliance icon to delete the appliance. Choose the unwanted device and tap “Delete” then confirm.



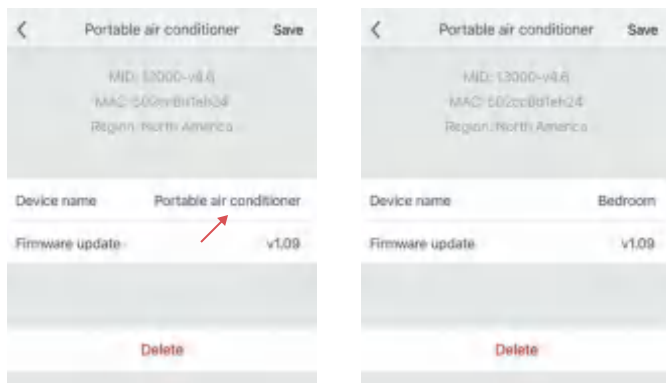
Functions



- 1 On/off
- 2 Other function icon
- 3 Device Name
- 4 Mode
- 5 Set Temperature
- 6 Fan Speed
- 7 Other functions

Change the device name

Press the pencil icon to edit the device name, then tap the “Save” button when complete.



Mode setting

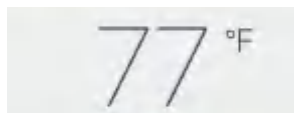
Slide the icon to choose mode: cool, dry, fan, heat, auto.

* Heat mode is not available for this model.



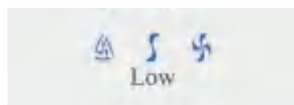
Temperature setting

Slide the temperature display to adjust the set temperature.



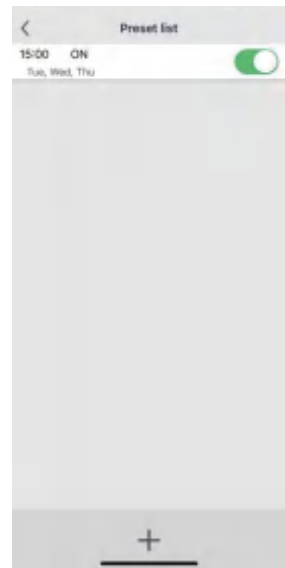
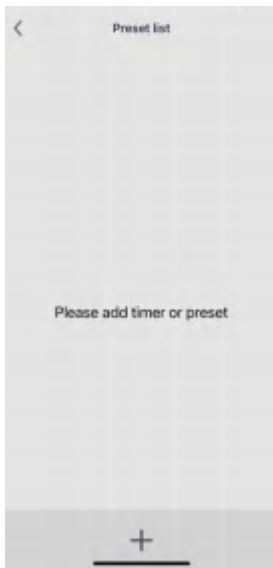
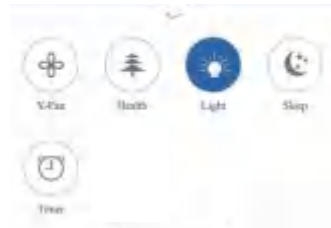
Fan setting

Slide the fan icon to set fan speed: auto, low, medium, high.

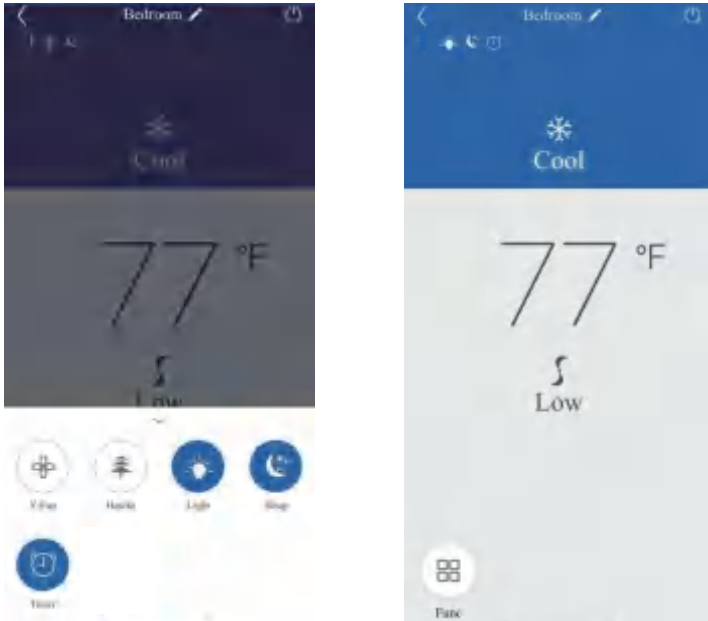


Other functions

- X-Fan: Not available for this unit.
- Health: Not available for this unit.
- Light: Turn the light on the conditioner on or off.
- Sleep: Only available on Cool mode.
- Timer: Add a schedule by tapping the “+” button. Set the on/off time of your choice and tap the “Save” button. The new schedule will be saved. Toggle the slider to cancel the schedule. Repeat this step to set different timers.



NOTE: The button will turn blue and the icon will be shown at the top when the function is applied. Tap the button again to cancel the setting.

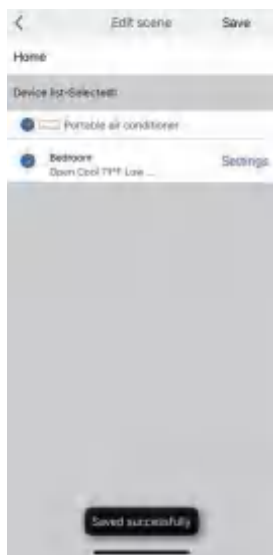
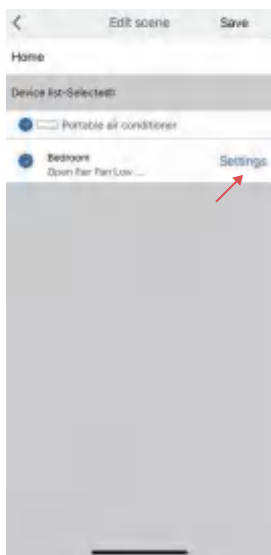
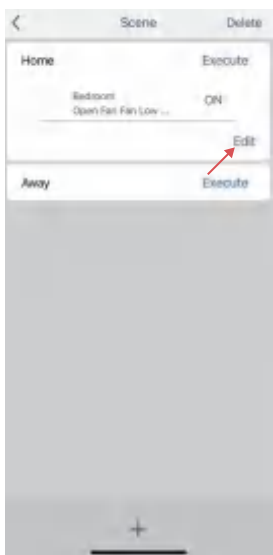
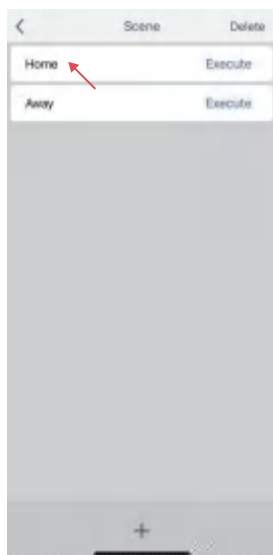
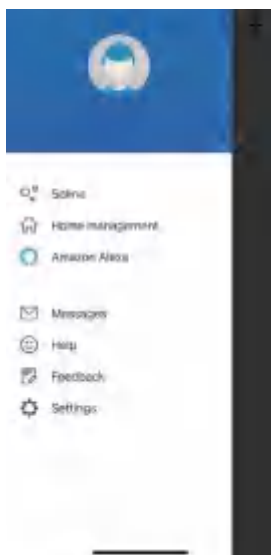


Device Management

Tap the user icon to enter device management.

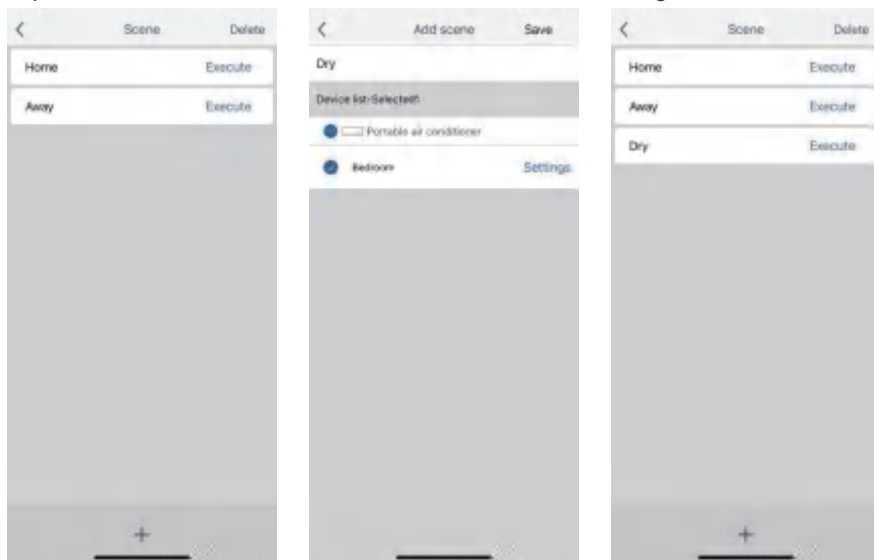
Scene—Edit scene

- Tap the scene name to manage the setting. The current setting will be shown. Press “Execute” to activate the scene immediately.
- Press “Edit” to adjust settings. Choose the device and tap “Settings”, after adjustments tap the “Save” button again. The scene setting will be saved.



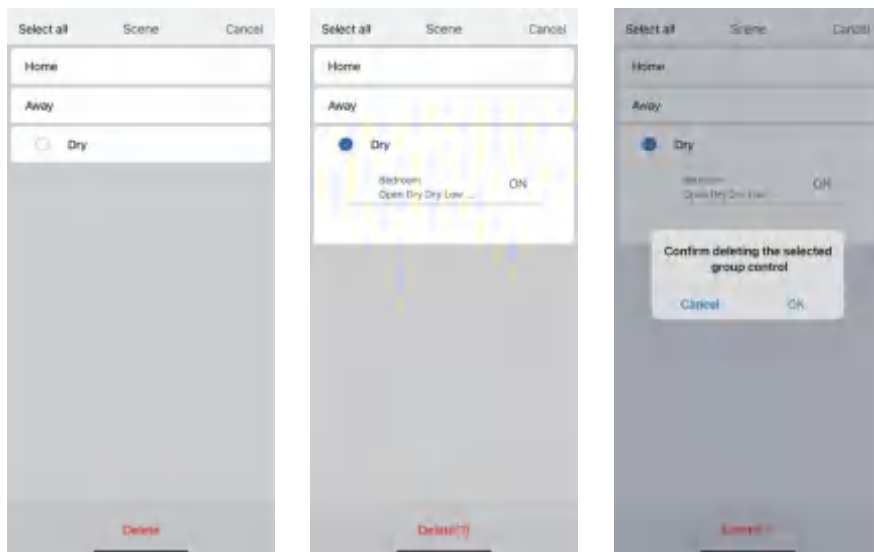
Scene—Add scene

Tap “+” to add a new scene. Customize the name and settings then save.



Scene—Delete scene

Tap “Delete” to delete a scene. You can tap the scene name to see detailed settings. Choose the unwanted scene and tap “Delete” then confirm. Two default scenes can not be deleted.



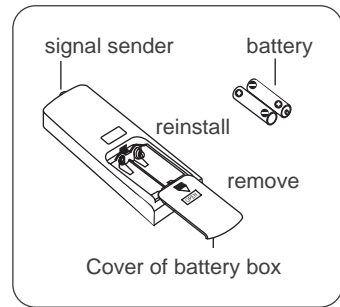
Home management

You can invite family member to control all the devices in the Family. For more information, please refer to the instructions in the App.

If you have problems, please refer to "Help" in the App or contact our support team.

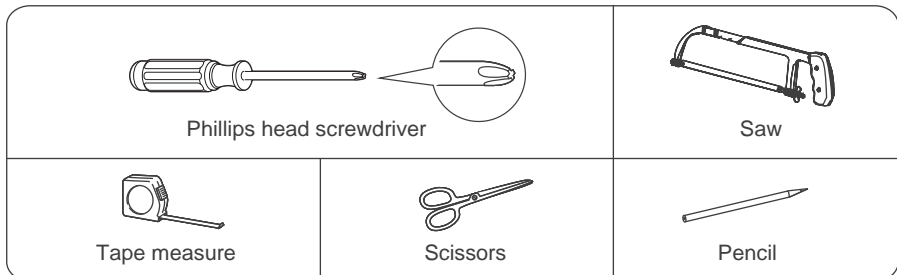
Replacing the Batteries

1. Press the back side of the remote control battery cover and slide out following the engraved arrow.
2. Replace with two new AAA(1.5V) batteries of the same make and model. Make sure the polarities (+ & -) are aligned correctly.
3. Reinstall the battery cover box.



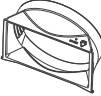
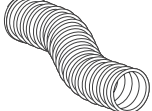

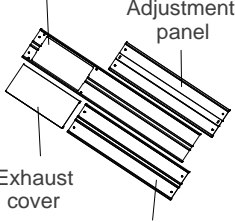
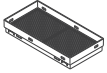


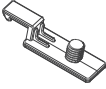
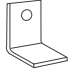
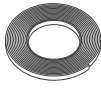

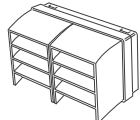
Installation

Tools Required





Parts List



Accessory kit for window installation

 <p>Joint</p>	 <p>Exhaust Hose</p>	 <p>Rear Clip</p>	 <p>Window panel Adjustment panel Exhaust cover Extension panel</p>	
 <p>Insect Guard</p>	 <p>Screw x 4pcs</p>	 <p>Mounting Plate x 2pcs</p>		
 <p>Fixed Clip x 2pcs</p>	 <p>Bracket</p>	 <p>Foam Seal A (non adhesive)</p>	 <p>Foam Seal B (adhesive type)</p>	 <p>Rain Guard x 2pcs</p>

Accessory kit for installing the drain hose

 <p>Drain Hose Adapter</p>	 <p>Drain Hose</p>	 <p>Drain Pipe Clip</p>
--	--	--

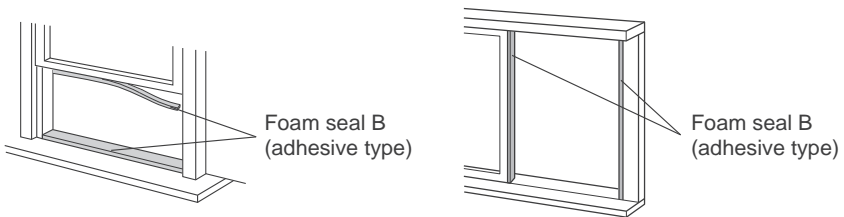
Others

 <p>Remote Control</p>	 <p>Power Cord Hook x2pcs</p>
---	--

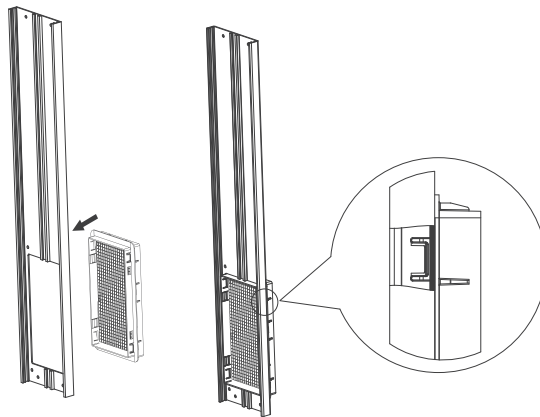
Installing Your AC

Here are the detailed instructions for installing the window panel into sliding sash or hung windows. For certain windows, such as a casement window, you will need to improvise several steps of the installation as each specific window will be different.

1. Cut the Foam seal B (adhesive type) to the proper length and attach it to your horizontal (or vertical) sliding window.

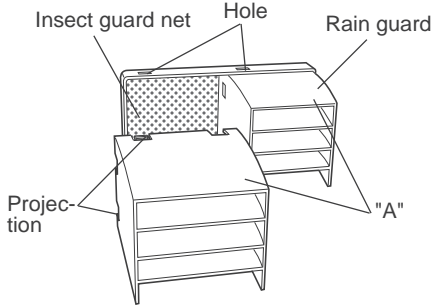


2. Attach the insect guard to the back side of the window panel. Push in to ensure that it fits securely. If you do not want to install the rain guard, skip to Step 4 below.

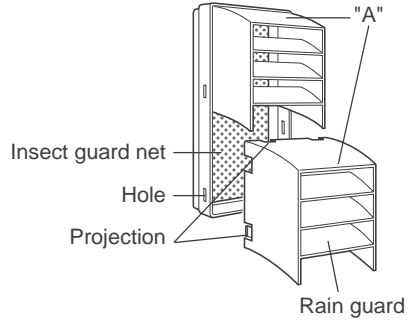


3. Optional: Install the rain guard over the insect guard to prevent rainwater from leaking into the exhaust hose.
 - a. Insert the three projections on each rain guard into the holes in the insect guard. Side "A" should be at the top, as indicated in the diagram below.

Double-hung sash window

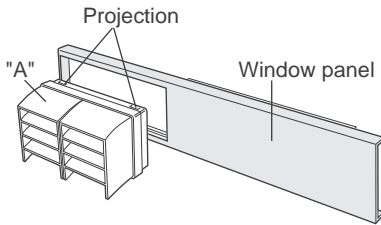


Sliding sash window

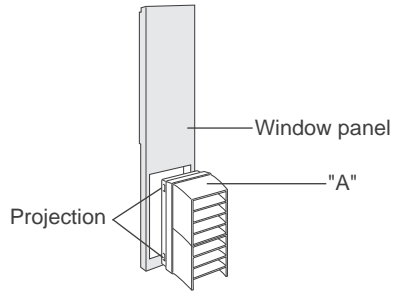


b. Insert the insect guard firmly to ensure that the four projections fit into the holes of the window panel. Make sure that Side A is on the top.

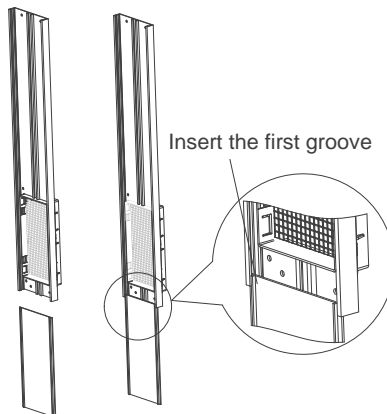
Double-hung sash window



Sliding sash window



4. Slide the Exhaust Cover into the grooves of the Window Panel.

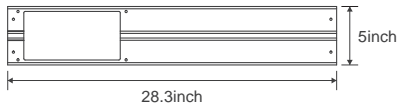


5. Installing the Window Panel(s)

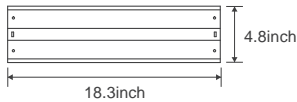
This window installation kit comes with 3 panels to adjust to your exact window size. You may not need to use all three panels. To begin, please refer to the guide below:

- If your window is less than 28 inches long you only need the window panel. You may need to saw off part of the window panel if your window is smaller than the window panel length.
- If your window is 28 to 46 inches long, you will need the window and adjustment panel. You will not need the extension panel.
- If your window is 46 to 62 inches long, you will need all three panels.
- Last, if your window is longer than 62 inches, you will need all three panels and then need to improvise to fill the remaining gap.

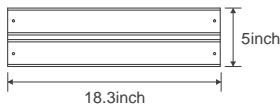
1 Window panel (cut if necessary)



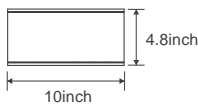
2 Adjustment panel



3 Extension panel

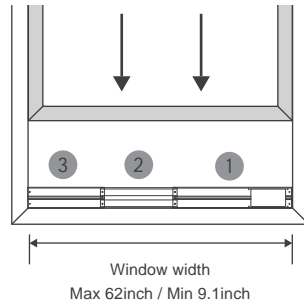


4 Exhaust cover

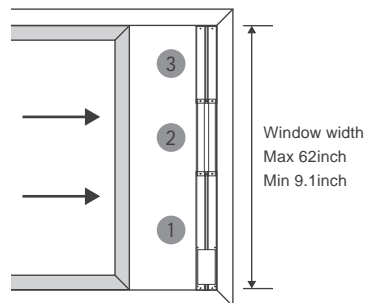


You can slide the exhaust cover to cover the hole of the window panel when the exhaust hose is removed.

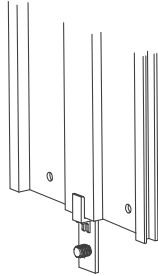
Hung Window



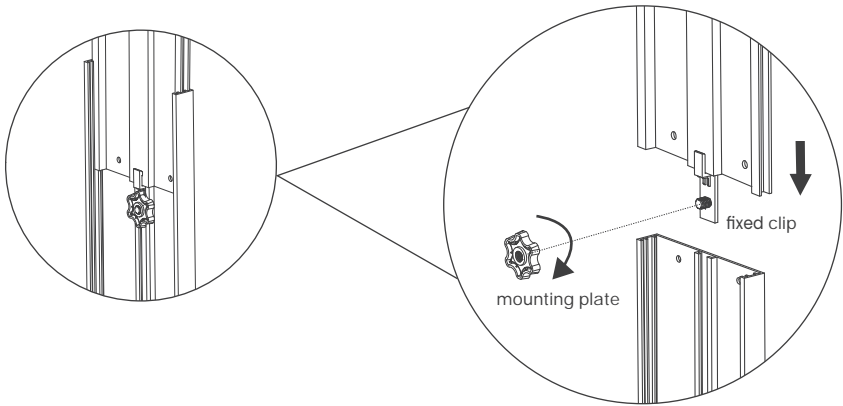
Sliding Slash Window



- a. Find the adjustment panel (with two grooves on each end), and a Fixed Clip and Mounting Plate.
- b. Insert the fixed clip into the groove of the adjustment panel.

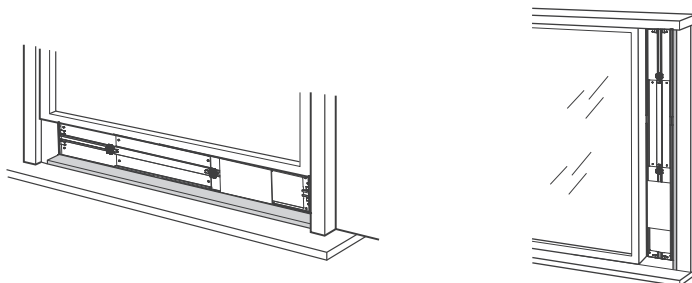


- c. Slide the fixed clip into the groove of the window panel and slide the fixed clip until there is no gap between the two panels.
- d. Screw the mounting plate into the fixed clip to secure the panels together once it is at the length of your window.

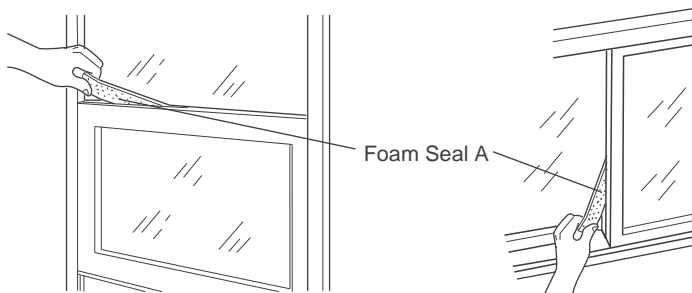


- e. If needed, follow the above steps to connect the other side of the adjustment panel to the extension panel. The total length of the panels will reach 62 inches. If your window is longer than 62 inches, you will need to improvise to fill in the gap.

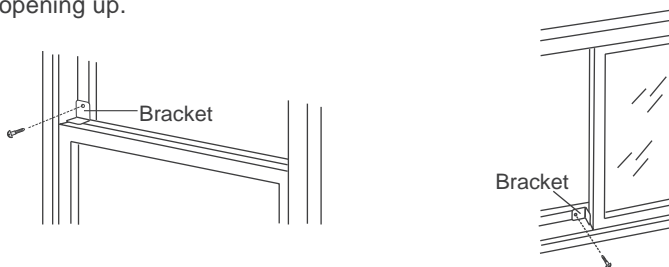
6. Insert the window panel into the window sill and close the window securely against the Window panel.



7. Stuff Foam Seal A (non adhesive) between the glass and the window to prevent air and insects from getting into the room.



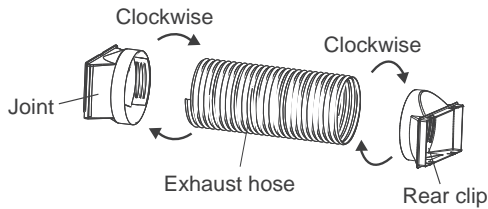
8. Optional: Attach a bracket to the window frame with a screw to prevent any gaps from opening up.



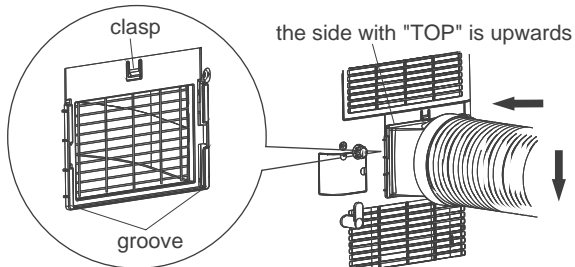
Installing the Exhaust Hose

Please note that the exhaust hose is **REQUIRED** to use for this portable air conditioner. This TOSOT portable air conditioner (like all air conditioners) must produce heat as a byproduct of producing cool air. If you don't connect the exhaust hose your unit will exhaust this hot air into the room you are trying to cool. That won't work very well.

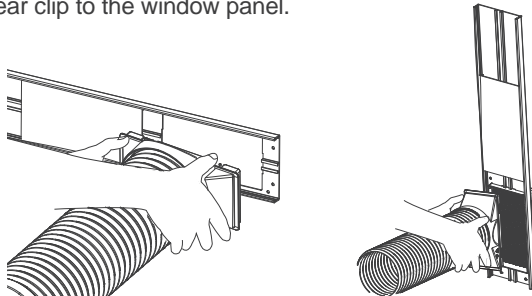
1) Twist the Joint and Rear Clip clockwise onto the exhaust hose.



2) Insert the Joint into the groove on the back of the unit and extend the exhaust hose.

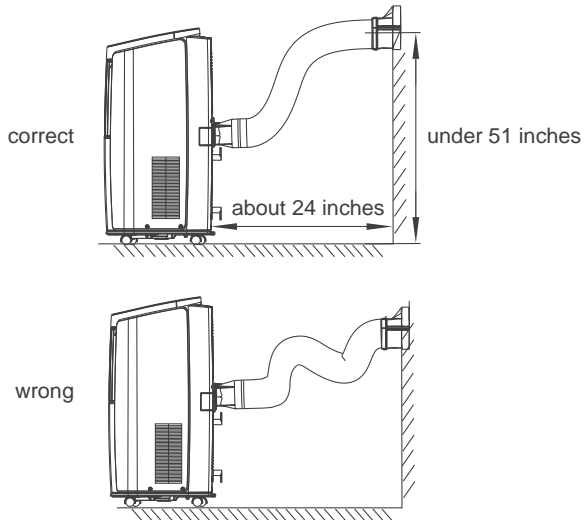


3) Attach the Rear clip to the window panel.



Tips:

In order to improve the cooling efficiency of your air conditioner, the exhaust hose should be as short and direct as possible. Our suggested configuration is shown below.



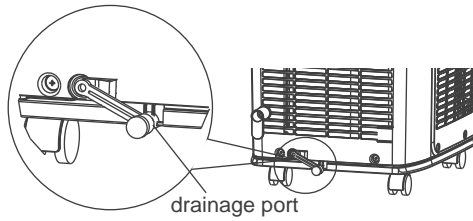
Removing Collected Water

TOSOT portable air conditioner comes with an auto-evaporation system. The unit automatically evaporates the condensation. There is no need to empty the water except in humid conditions.

Manual Drainage

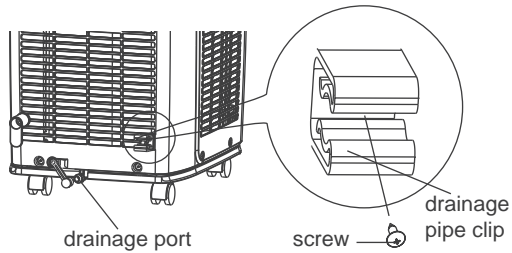
The internal pan can hold about 0.5L of water. When it is filled with water, an alarm will beep 8 times and the display panel will show an H8 malfunction code to remind you to drain the water. For manual drainage, you will need to:

- 1) Move the unit to a suitable place for discharging water. Please keep the unit horizontal so water does not spill.
- 2) Remove the rubber plug from the drainage port and the collected water will drain.



3) Plug back the rubber plug to the port. The unit will resume operation in 3 minutes.

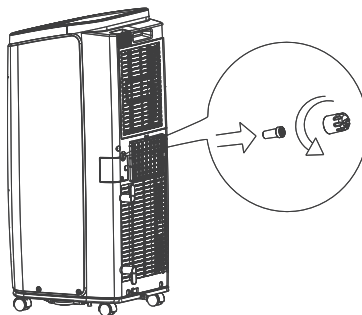
Note: You can also insert a drain hose (included) to the port to aid drainage. Here, you will need to insert the hose to the port first before operation. Then, attach it to the drainage pipe clip at the back of the machine. When draining, remove the hose from the clip and water will flow from the pipe.



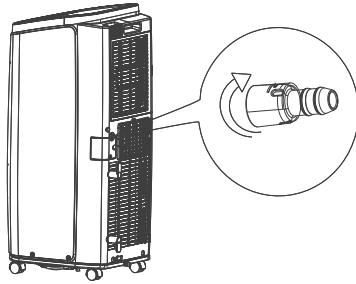
Continuous Drainage

Water can be drained into a floor drain by attaching a drain hose (included) to the continuous drain port.

1. Remove the continuous drain cap by turning it counter-clockwise.



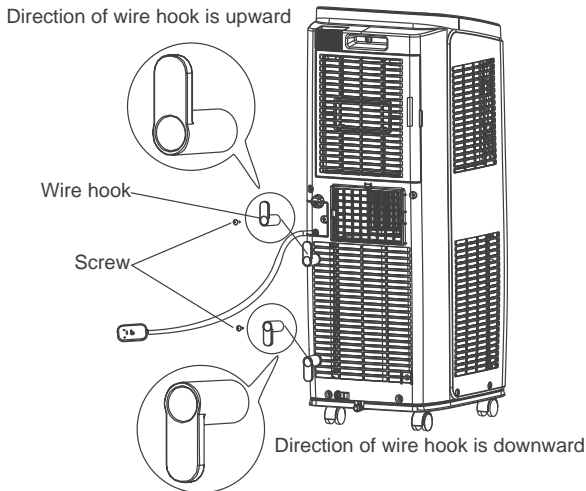
2. Screw the drain hose adapter into the spout by twisting clockwise and attach the drain hose to the drain adapter.



Note: When using the continuous drainage option make sure that the air conditioner is located on a flat, level surface and that the drain hose is directed downwards and clear of any obstructions. Placing the air conditioner on an uneven surface may result in the chassis filling with water until the H8 malfunction code is displayed. If this occurs, manually empty the water in the chassis then recheck the air conditioner location and hose connection.

Installing the Power Cord Hooks

Attach the two power cord hooks on the back of the unit using the included screws and wrap the power cord around the power cord hooks when not in use.



Cleaning and Maintenance

To avoid electric shock, turn off the air conditioner and disconnect from power before cleaning. Do not wash or douse the air conditioner with water. Never use abrasive or flammable solvents to clean the air conditioner.

Cleaning the outer case

Wipe with a soft cloth soaked in warm water and a mild detergent, if needed.

Cleaning the exhaust hose

Remove the exhaust hose from the air conditioner and clean with a soft cloth soaked in warm water. Let dry completely before reinstalling.

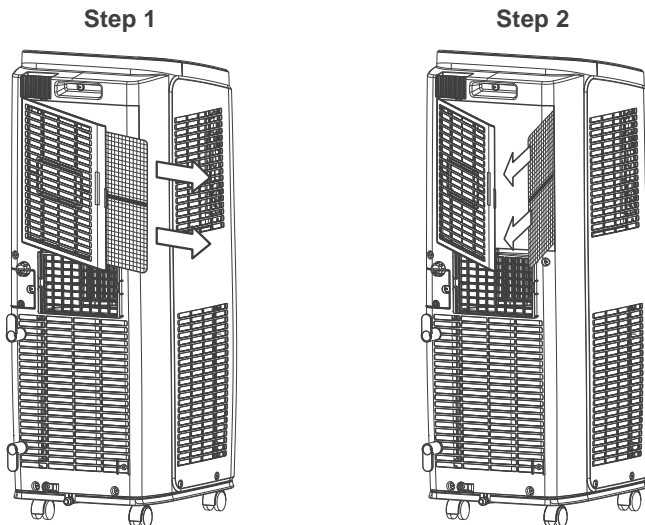
Cleaning the filter

1. Remove the filter

Locate the filter and remove it from the air conditioner. You may need to move the filter around to loosen.

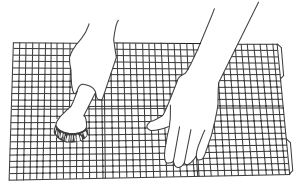
Step 1: Remove the air intake cover, and take the filter out from the cover

Step 2: Pull out the other filter from the machine



2. Clean the filter

After removing, use the dust attachment of your vacuum to suck up any dirt or warm water mixed with a mild detergent. A soft bristle brush may help remove some of the dirt, if needed.



3. Reinstall the filter

After the filter has dried completely, reinstall back into the air conditioner.

- Notes:**
- Clean the filter at least every three months.
 - Do not touch the metal fins in the air conditioner after removing the filter as they may cause personal injury.
 - Do not attempt to dry the filter with a hairdryer or other heating elements as this may deform or ignite the filter.
 - Do not operate the air conditioner if the air filter is missing.

Maintenance Checklists

Pre-Season Maintenance Checklist

- Check the power cord for any cuts or exposed wiring
- Check the ground prong is still on your power plug
- Clean the air filter
- Check whether the hose adapters and exhaust hose are installed tightly and free of damage

Post-Season Maintenance Checklist

- Disconnect unit from the power outlet
- Clean air filter and exterior case
- Drain any accumulated water from the air conditioner
- Wrap the air conditioner in plastic to prevent the accumulation of dust

Long-Term Storage Checklist

- Disconnect unit from the power outlet
- Clean air filter and exterior case
- Wrap and/or cover the unit to prevent the accumulation of dust within the unit

Troubleshooting

Issue	Troubleshooting	Solution
No air is blowing from the air conditioner	Check whether the air outlet or inlet is blocked	Remove the obstacles blocking the air outlets and inlets
	Check if the evaporator is defrosting	After defrosting is finished, the AC will resume operation
Set temperature cannot be adjusted	Is the unit in auto mode?	Temp cannot be adjusted in auto mode
	Your desired temperature exceeds the AC range	Temp set range is 61-86°F
Air blowing from the air conditioner has a weird smell	Check if the source of the odor is somewhere in the room	Remove the source of the odor and clean the filter
Abnormal sound during operation, such as water flowing	Has the unit just been turned on or off?	The flowing water sound is the refrigerant inside the air conditioner, which is completely normal
Abnormal sound during operation, such as a rapid “pop-pop” sound	Has the unit just been turned on or off?	Changing temperature can cause the panel to shrink or expand, causing friction

What is 3-Minute Compressor Protection?

All TOSOT Air Conditioners have a 3-Minute Compressor Protection feature to help extend the lifespan of your unit. You may notice this happening when the unit is not blowing cold air or you can't hear the sound of the compressor. Below are some situations where the 3-Minute Protection Mode will be activated:

- A. Your unit just experienced a power outage. The compressor will restart again after 3 minutes.
- B. After you switch from the fan or dry mode to the cooling mode, there is a 3-minute delay before the compressor starts up.
- C. If the unit is powered on, then powered off, then powered on again within a 3-minute period, there will be a 3-minute delay before the compressor starts again.
- D. If the ambient room temperature is lower than the set temperature on your control panel, the compressor will power off for 3 minutes and restart once the ambient room temperature rises above the set temperature again.

Malfunction Codes

If you experience any of the below malfunction codes, remove the unit from power for a few minutes. Plug the unit back in to determine if the malfunction code is still present.

Malfunction Code on Unit	Malfunction Name	Symptoms
H8	Chassis is full of water	Chassis is full of water, pour it out and see if symptoms persist
F0	Refrigerant lacking protection	Compressor stops operation but the fan continues to operate
F1	Ambient temperature sensor malfunction	Compressor stops operation but the fan continues to operate
F2	Evaporator temperature sensor malfunction	Compressor stops operation but the fan continues to operate
F4	Exhaust hose temperature sensor	Compressor stops operation but the fan continues to operate
H3	Compressor overload protection	Compressor stops operation but the fan continues to operate
H3, E8	Overload malfunction	<ol style="list-style-type: none"> 1. Check if the unit is under a high-temperature and high-humidity environment; restart the unit after the ambient temperature drops to 95°F (35°C) below. 2. Check if the evaporator and condenser are blocked. If the malfunction codes still occur, please contact the manufacturer for help.

If you notice or experience any of the following conditions, please turn off the air conditioner, disconnect from power, discontinue use, and contact support immediately.

- The power cord is overheating or otherwise damaged
- Abnormal sound during operation
- A strange odor is emitted from the unit
- Excessive water leakage the unit

Do not attempt to repair or retrofit the air conditioner by yourself. All repairs must be performed by qualified individuals.

Warranty & Customer Support

Warranty Information

1. 1-Year warranty:

TOSOT Portable Air Conditioner comes with a 1-year warranty from the date of purchase.

This warranty covers manufacturing and material defects. Please visit <https://tosotdirect.com/warranty> for more details.

2. Additional 6-Month warranty extension:

You can get a 6-month warranty extension by registering your new product at www.tosotdirect.com/extend.

Customer Support

Questions? We are here to help

✉ support@tosotdirect.com

🌐 www.tosotdirect.com



Share your experience



@tosotdirect