



Installation Guide

Quality, Design and Innovation



home.liebherr.com/fridge-manuals









LIEBHERR

Contents

1	Installation conditions	3	15	Aligning the door hinge with multi-joint hinge (not suitable for decoration)	19
1.1	Installation location.....	3	16	Recessed installation	20
1.2	Position in the space.....	3	16.1	Tool.....	20
2	Appliance dimensions	3	16.2	Preparing the appliance.....	20
3	Recess dimensions	4	16.3	Fastening the appliance to the ceiling.....	21
4	Cabinet front	5	16.4	Fastening the appliance laterally.....	21
4.1	Weight of cabinet front.....	5	16.5	Leveling out the appliance.....	21
4.2	Cabinet door.....	5	16.6	Installing the base.....	22
4.3	Cabinet front dimensions.....	5	16.7	Fastening the appliance in the recess.....	22
4.4	Profile frame dimensions.....	6	17	Installing the unit door	23
5	Transporting the appliance	6	18	Connecting the appliance to the power supply	25
5.1	Transporting the appliance for initial installation.....	6			
5.2	Transporting the appliance after initial installation.....	6			
6	Unpacking the appliance	6			
7	Setting up the appliance	6			
8	Leveling out the appliance	7			
9	Setting up multiple appliances	7			
10	After setup	7			
11	Disposal of packaging	7			
12	Changing the door hinge with bearing bracket hinge	7			
12.1	Safety instructions.....	7			
12.2	Tool.....	7			
12.3	Removing the covers.....	8			
12.4	Removing the door.....	8			
12.5	Removing the hinge.....	9			
12.6	Reconfiguring the hinge.....	10			
12.7	Moving the top cover.....	10			
12.8	Moving the bottom cover.....	11			
12.9	Moving the door stopper*.....	11			
12.10	Attaching the hinges.....	11			
12.11	Moving the top bracket.....	12			
12.12	Moving the bottom bracket.....	13			
12.13	Installing the door.....	13			
12.14	Putting on the covers.....	14			
13	Changing the door hinge with multi-joint hinge (suitable for decoration)	14			
13.1	Safety instructions.....	14			
13.2	Tool.....	14			
13.3	Removing the covers.....	15			
13.4	Removing the door.....	15			
13.5	Removing the hinge.....	16			
13.6	Moving the door stopper.....	16			
13.7	Attaching the hinges.....	17			
13.8	Moving the top bracket.....	17			
13.9	Moving the bottom bracket.....	18			
13.10	Installing the door.....	18			
13.11	Putting on the covers.....	18			
14	Aligning the door hinge with bearing bracket hinge*	19			

The manufacturer is constantly working to improve all types and models. Therefore, please be aware that we reserve the right to make changes to the shape, equipment and technology.

Symbol	Explanation
	Read instructions Please read the information in these instructions carefully to understand all of the benefits of your new appliance.
	Additional information online The digital manual with supplemental information can be found online by scanning the QR code on the front page of this manual or by entering the service number at home.liebherr.com/fridge-manuals .
	Check appliance Check all parts for transport damage. If you have any complaints, please contact your agent or customer service.
	Differences These instructions apply to a range of models, so there may be differences. Sections that apply to certain models only are indicated by an asterisk (*).
	Instructions and results Instructions are marked with a ▶. Results are marked with a ▷.
	Videos Videos about the appliances are available on the YouTube channel of Liebherr-Hausgeräte.

1 Installation conditions

The installation conditions are crucial to ensure that you can operate your appliance safely, efficiently, and trouble-free.

- Observe all safety instructions.
- Observe the installation location and position in the room.

WARNING

Danger of fire due to incorrect positioning!

If the power supply cable or plug touches the back of the appliance, the vibration can damage the power supply cable or the plug resulting in a short circuit.

- ▶ Make sure the power supply cable is not trapped under the appliance when you position the appliance.
- ▶ Install the appliance so that it does not touch any plugs or power cables.
- ▶ Do not connect any appliances to sockets in the area of the back of the appliance.
- ▶ Do **not** place and operate power strips/power distributors and other electronic devices (such as halogen transformers) at the back of the appliances.

WARNING

Risk of fire due to moisture!*

If live parts or the power cord get wet, this can cause a short circuit.

- ▶ The appliance is designed for use in enclosed spaces. Do not operate the appliance in open space or in damp areas or where there is spray.

WARNING

Risk of fire from moisture!*

If live parts or the power cord get wet, this may cause a short circuit.

- ▶ The installation site of the appliance, in particular the power cable, must be protected from water accumulating or extreme weather conditions.

WARNING

Leaking refrigerant and oil!

Fire. The refrigerant contained within the appliance is environmentally friendly, but flammable. The oil contained within the appliance is flammable. Escaping refrigerant and oil can ignite if they are of high enough concentration and are exposed to an external heat source.

- ▶ Do not damage the pipelines of the coolant circuit and the compressor.

1.1 Installation location

- Only operate the appliance in installed condition.
- If the appliance is set up in a very humid environment, condensation may form on the outside of it. Always ensure good ventilation at the installation location.
- The more refrigerant there is in the appliance, the larger the room in which the appliance is installed must be. If the room is too small, a flammable gas/air mixture may form in the event of a leak. Per 8 g (0.28 oz) refrigerant, the installation space must be at least 1 m³ (35.5 ft³) in size. Information on the refrigerant contained can be found on the type plate inside the appliance.
- The floor at the installation location must be horizontal and level.
- The installation location must be able to support the weight of the appliance, including its maximum storage capacity.

1.2 Position in the space

- Do not install the appliance in an area with direct sunlight, next to a heating unit or similar.
- Use in potentially explosive atmospheres is not permitted.
- If the appliance is installed in a cooking island, appliances with an integrated exhaust air system can damage the appliance. Make sure you either have a separate air duct or otherwise install a partition wall between the appliances.

2 Appliance dimensions

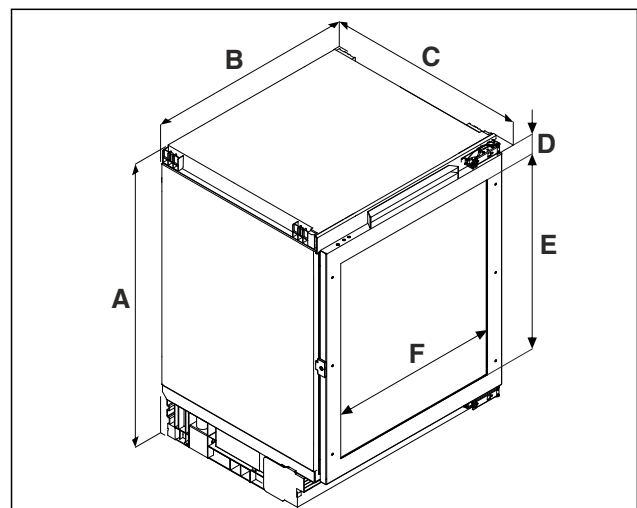


Fig. 1 Example illustration

Recess dimensions

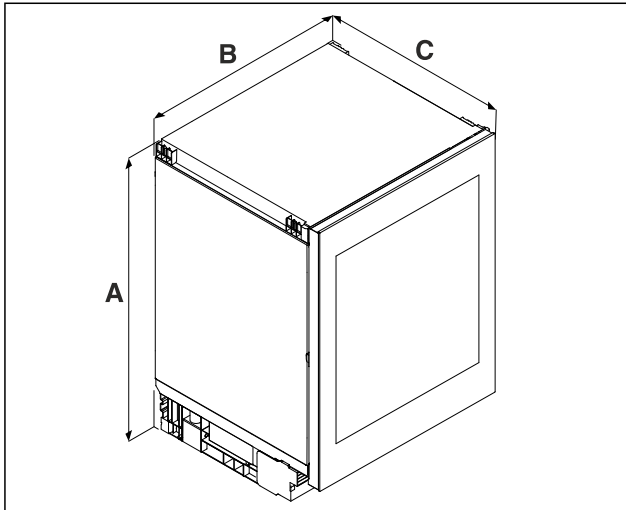


Fig. 1 Example illustration

- (A)** Appliance height including feet
- (B)** Appliance width
- (C)** Appliance depth

	U.. 36.. ^{A)}	U.. 37.. ^{A)}
A	819 mm (32 1/4 in)	859 mm (33 7/8 in)
B	597 mm (23 1/2 in)	
C	U..pr: ^{A)} 564 mm (22 3/16 in) U..gb ..3.. ^{A)} 576 mm (22 11/16 in)	
D	98 mm (3 7/8 in)	
E	524 mm (5/8 in)	568.5 mm (22 3/8 in)
F	458 mm (18 in)	

^{A)} Appliance type designation

3 Recess dimensions

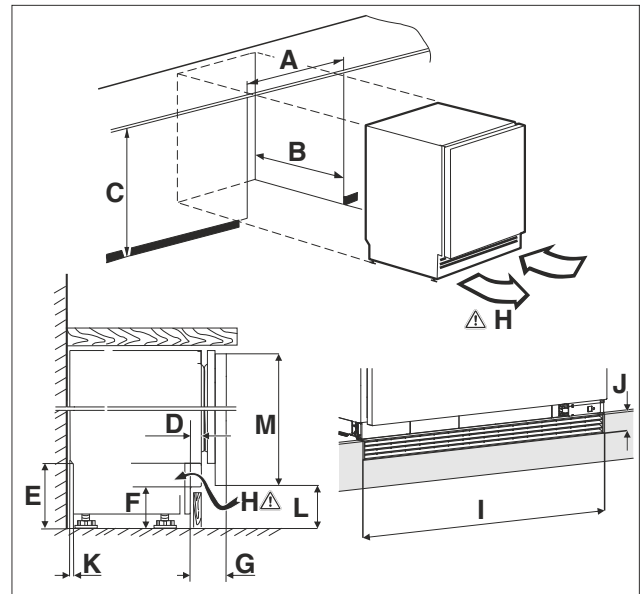


Fig. 2 Example illustration: ..gb

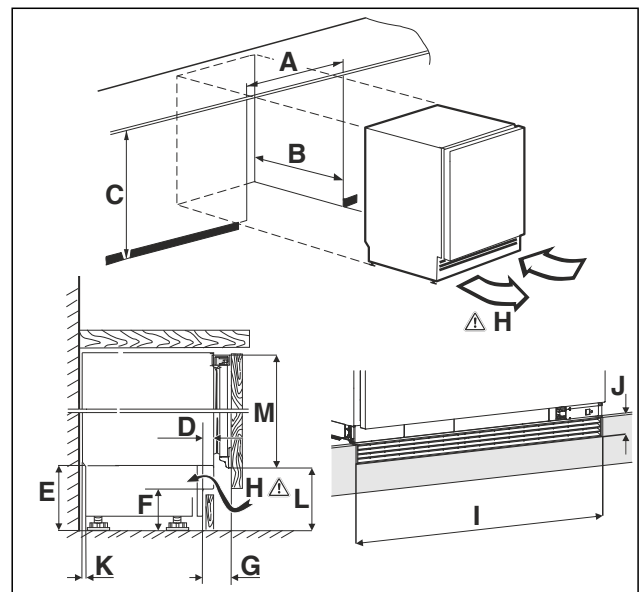


Fig. 3 Example illustration: ..pr

- (A)** Recess width
- (B)** Recess depth
- (C)** Recess height
- (H)** Ventilation cross-section

A	600 mm (23 1/2 in)	
B	at least 565 mm (22 1/4 in)	
C	U.. 36.. ^{A)} 820 mm (32 5/16 in) to 880 mm (34 5/8 in)	U.. 37.. ^{A)} 860 mm (33 7/8 in) to 920 mm (36 1/4 in)
D	11 mm (7/16 in) to 66 mm (2 5/8 in)	
E	100 mm (3 15/16 in) to 160 mm (6 5/16 in)	

F	60 mm (2 3/8 in) to 120 mm (4 3/4 in)
G	45 mm (1 6/8 in) to 100 mm (3 15/16 in)
H	150 cm ² (24 in ²)
I	600 mm (23 1/2 in)
J	40 mm (1 9/16 in)
K	35 mm (1 3/8 in)
L	<p>..pr.: 104 mm (4 1/8 in) to 164 mm (6 7/16 in)</p> <p>..gb 36.: 100 mm (3 15/16 in) to 160 mm (6 5/16 in)</p> <p>..gb 37.: 81 mm (3 3/16 in) to 141 mm (5 9/16 in)</p>
M	<p>UORpr 366i: 704 mm (27 3/4 in)</p> <p>UORpr 365i: 707 mm (27 13/16 in)</p> <p>UBCgb 3631: 717 mm (28 1/4 in)</p> <p>UBCpr 376i: 747 mm (29 7/16 in)</p> <p>UBCbg 3731: 776 mm (30 9/16 in)</p>

A) Appliance type designation

4 Cabinet front

4.1 Weight of cabinet front

NOTICE

Risk of damage from a heavy unit door!
If the cabinet door is too heavy, damage to the hinges cannot be ruled out with functionality impairments as a result.

- Before installing the cabinet door, ensure that the cabinet door does not exceed the permissible weight.

Recess height	Maximum weight of unit door
.. 36.. ^{A)}	10 kg (22.05 lb)
.. 37.. ^{A)}	10 kg (22.05 lb)

A) Appliance type designation

4.2 Cabinet door

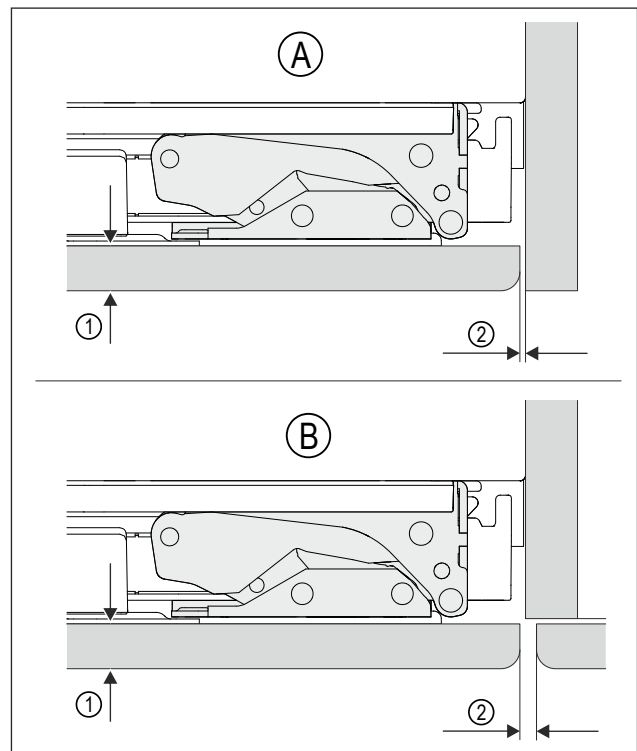


Fig. 4 Example illustration

- (A) Recess with wall (1) Front thickness
(B) Recess with adjacent cabinets (2) Gap dimension

Front thickness	at least 16 mm (5/8 in) to maximum 19 mm (3/4 in)
Gap dimension	at least 3 mm (1/8 in)
The cabinet door must be flush and mounted with no tension.	

4.3 Cabinet front dimensions

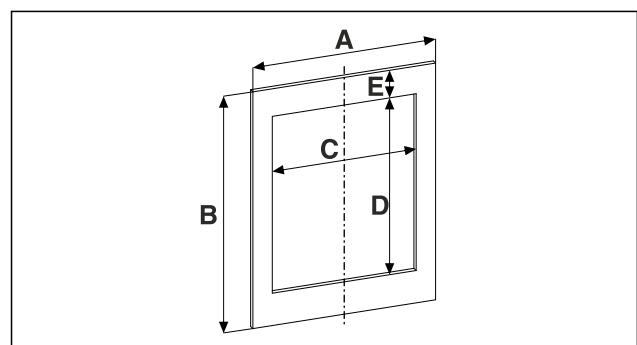


Fig. 5

Recess height	.. 36..	.. 37..
A	at least 595 mm (23 7/16 in)	

Transporting the appliance

Recess height	.. 36..	.. 37..
B	at least 707 mm (27 13/16 in)	at least 747 mm (29 7/16 in)
C	458 mm (18 in)	
D	524 mm (20 5/8 in)	568.5 mm (22 3/8 in)
E	Dimension depends on the installation situation in the recess; you can calculate it with the cutout dimensions of the glass door front. (see 2 Appliance dimensions)	
For appliances without a glass door, values C, D, and E do not apply.		

A) Appliance type designation

4.4 Profile frame dimensions

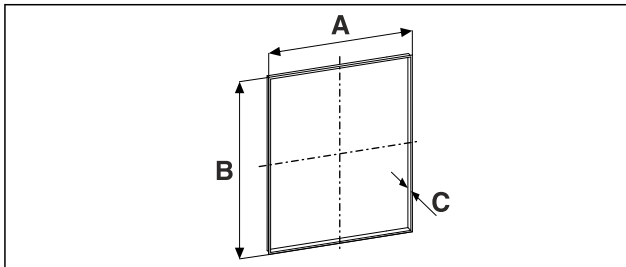


Fig. 6

Recess height	.. 36..	.. 37..
A	458 mm (18 in)	
B	524 mm (20 5/8 in)	568.5 mm (22 3/8 in)
C	For a panel thickness of 19 mm (3/4 in): 21 mm (13/16 in)	

A) Appliance type designation

A = internal dimension for cutout in cabinet front profile frame installation

B = internal dimension for cutout in cabinet front profile frame installation

C = profile frame thickness

5 Transporting the appliance

5.1 Transporting the appliance for initial installation

Make sure that the following requirements are fulfilled:

- Appliance is packaged.
- The appliance is upright.
- ▶ Have two people transport the appliance.
- ▶ Unpack the appliance.

5.2 Transporting the appliance after initial installation

Observe the following instructions if you want to transport or move the appliance after initial installation.

Make sure that the following requirements are fulfilled:

- Appliance is empty.
- The appliance is upright.
- Appliance with door(s): The door is secured against undesired opening.
- Appliance with pull-out cart: The pull-out cart is secured against undesired opening.
- Appliance is unpacked.
- ▶ Have two people transport the appliance.

6 Unpacking the appliance

- ▶ Check the appliance and the packaging for transport damage. Contact the supplier immediately if you suspect any damage. Do not connect the appliance to the power supply.
- ▶ Remove all packaging materials from the rear or the side walls of the fridge that may prevent proper installation or prevent air flow and ventilation.
- ▶ Unpack the features, e.g. the glass shelf, and insert it.

7 Setting up the appliance



CAUTION

Risk of injury and damage.

- ▶ Use 2 people to set up the appliance.



CAUTION

Risk of injury and damage.

The door can strike against the wall and become damaged as a result. In the case of glass doors, the damaged glass can cause injuries.

- ▶ Protect the door from striking against the wall. Attach a door stopper, e.g. felt stopper, to the wall.
- ▶ Connect all necessary components (e.g. power cable) to the back of the appliance and route to the side.

Note

Cables can be damaged.

- ▶ Do not crush the cable when pushing the appliance back.

8 Leveling out the appliance

NOTICE

Appliance body can become deformed and door will not close.

- ▶ Align appliance horizontally and vertically.
- ▶ Compensate for uneven floors using adjustable feet.



WARNING

Incorrect height adjustment of the adjustable foot! Severe or fatal injuries. Incorrect height adjustment can cause the bottom part of the adjustable foot to come loose and the appliance to tip over.

- ▶ Do not unscrew the adjustable foot too far.

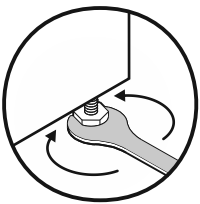


Fig. 7

Raising appliance:

- ▶ Turn adjustable foot clockwise.

Lowering appliance:

- ▶ Turn adjustable foot counterclockwise.

9 Setting up multiple appliances

NOTICE

Risk of damage due to condensation between the side walls.

- ▶ Do not set up the appliance directly next to another refrigeration appliance.
- ▶ Set up appliances with a space of 3 cm (1.18 in) between appliances.
- ▶ Only set up multiple appliances of up to climate class CC2 temperatures (32.2 °C (90 °F), 65 % humidity) next to one another.
- ▶ At higher levels of humidity, increase the space between appliances.

10 After setup

- ▶ Peel off the protective films. *
- ▶ Clean the appliance.
- ▶ Keep the invoice so you have the appliance and dealer information available if needed.

11 Disposal of packaging



WARNING

Danger of suffocation from packaging materials and films!

- ▶ Do not allow children to play with packaging materials.

The packaging is made from recyclable materials:

- Corrugated card/cardboard
- Parts made of foamed polystyrene
- Films and bags from polyethylene
- Packing bands from polypropylene
- Wood frame nailed together with a polyethylene window*

- ▶ Take the packaging material to an official collection point.

12 Changing the door hinge with bearing bracket hinge

12.1 Safety instructions



WARNING

Risk of injury if the door is not reversed correctly!

- ▶ Have a specialist change the door hinge.



WARNING

Risk of injury and material damage from the door weight!

- ▶ Only replace the door hinge if you are able to carry a weight of 15 kg (33.07 lb).
- ▶ Have two people replace the door hinge.

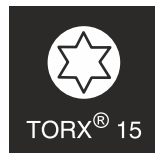
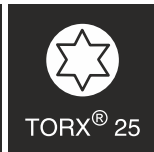
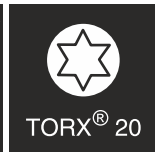
NOTICE

Live parts!

Damage to electrical components.

- ▶ Pull the power plug before changing the door hinges.

12.2 Tool



Changing the door hinge with bearing bracket hinge

12.3 Removing the covers

- ▶ Open the door.

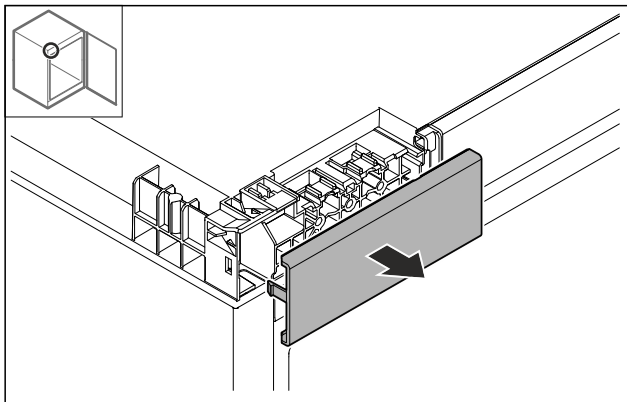


Fig. 8

- ▶ Remove the cover.

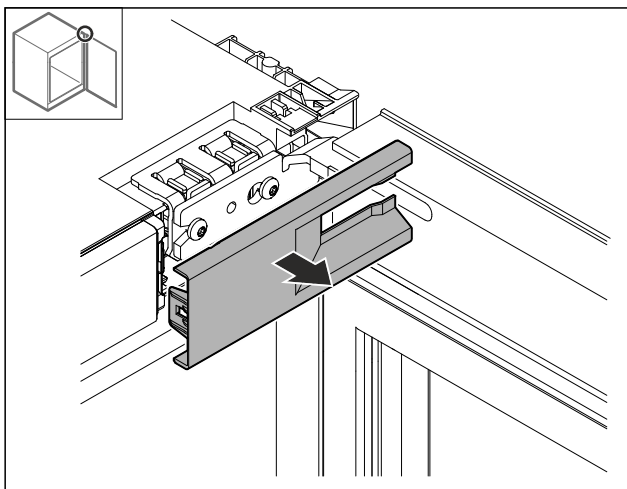


Fig. 9

- ▶ Remove the cover.

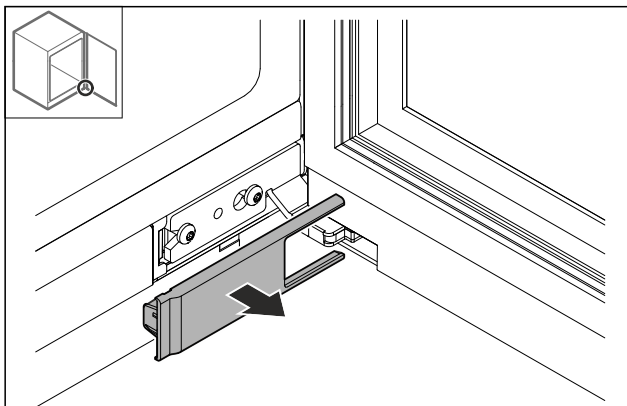


Fig. 10

- ▶ Remove the cover.

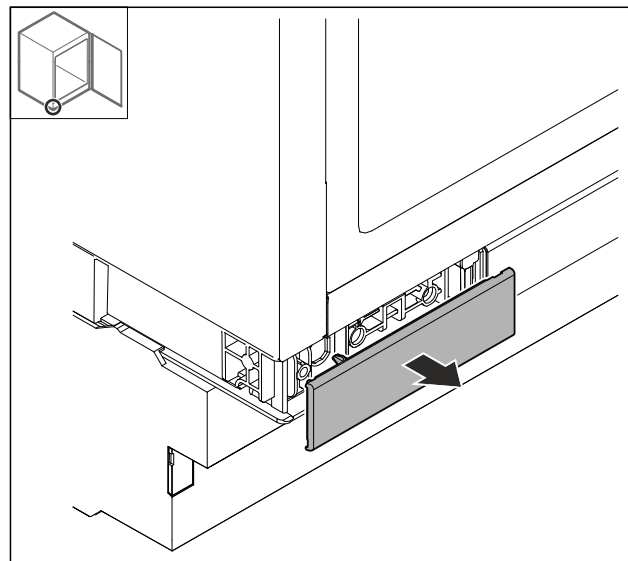


Fig. 11

- ▶ Remove the cover.

12.4 Removing the door

NOTICE

Risk of injury if the door tips out!

- ▶ Hold the door.

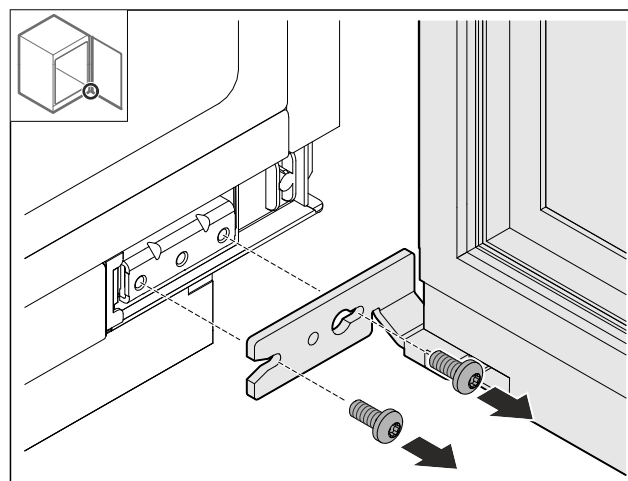


Fig. 12

- ▶ Release the screws at the bottom.

Changing the door hinge with bearing bracket hinge

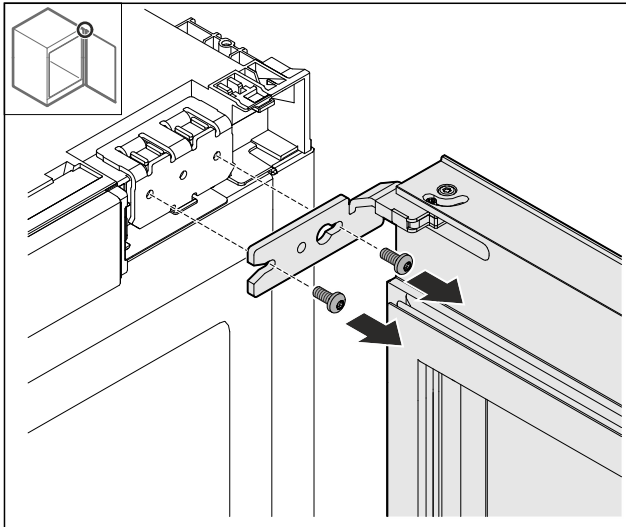


Fig. 13

- ▶ Release the screws at the top.
- ▶ Remove the door.
- ▶ Place the door on a soft support.

12.5 Removing the hinge

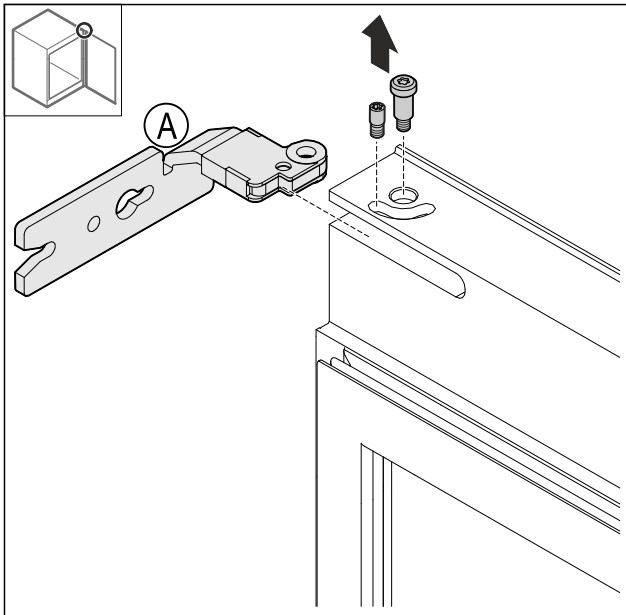


Fig. 14

- ▶ Unscrew the bolt.

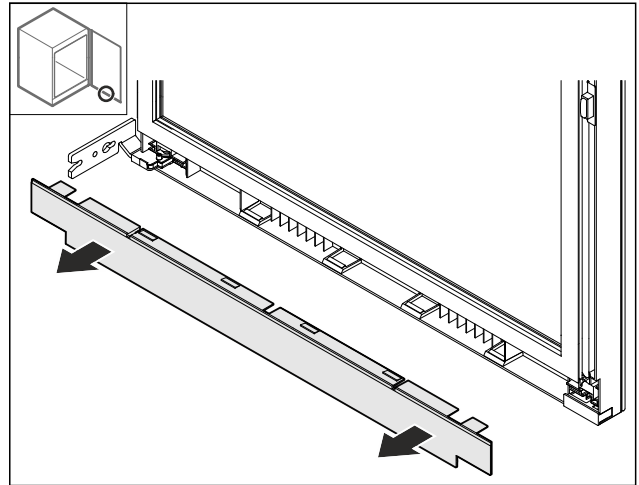


Fig. 15

- ▶ Remove the cover.

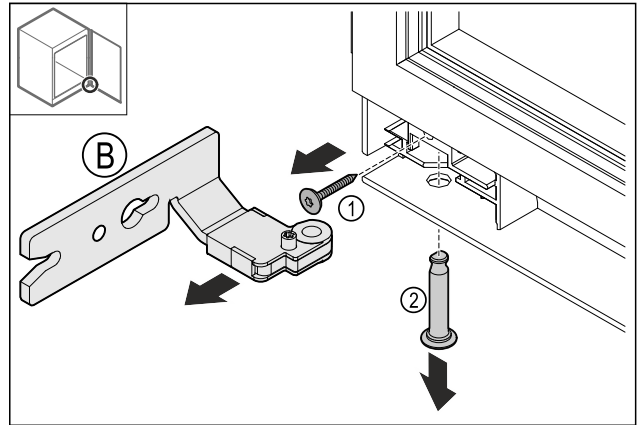


Fig. 16

- ▶ Remove the screw Fig. 16 (1).
- ▶ Remove the pin Fig. 16 (2).
- ▶ Remove the hinge Fig. 16 (B).

Changing the door hinge with bearing bracket hinge

12.6 Reconfiguring the hinge

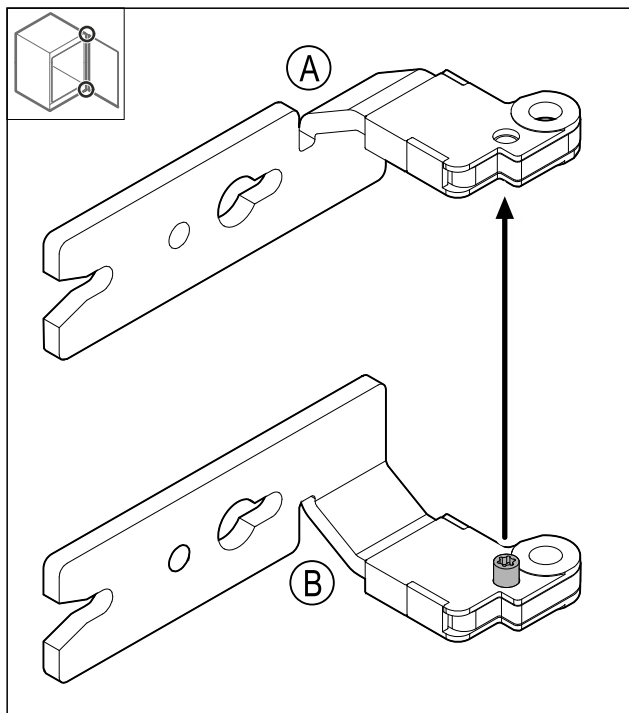


Fig. 17

- Reposition the screw.

12.7 Moving the top cover

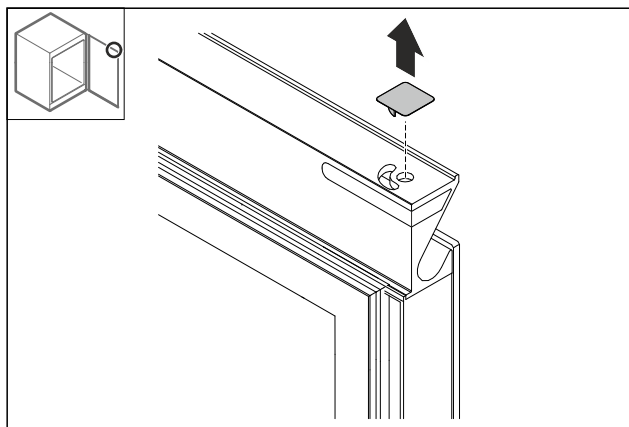


Fig. 18

- Remove the cover.

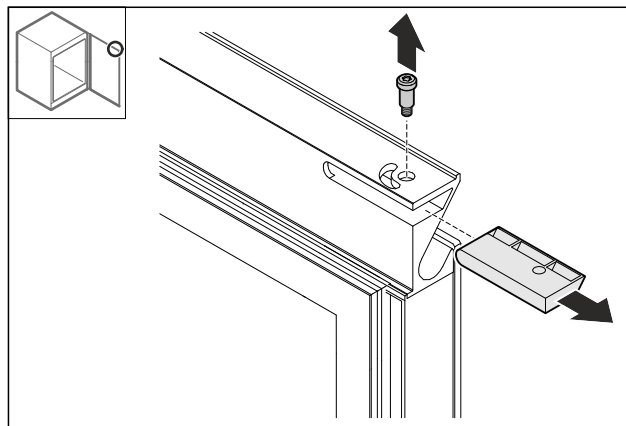


Fig. 19

- Remove the pin.
- Remove the cover.
- Liebherr recommends: Store the cover for later use.

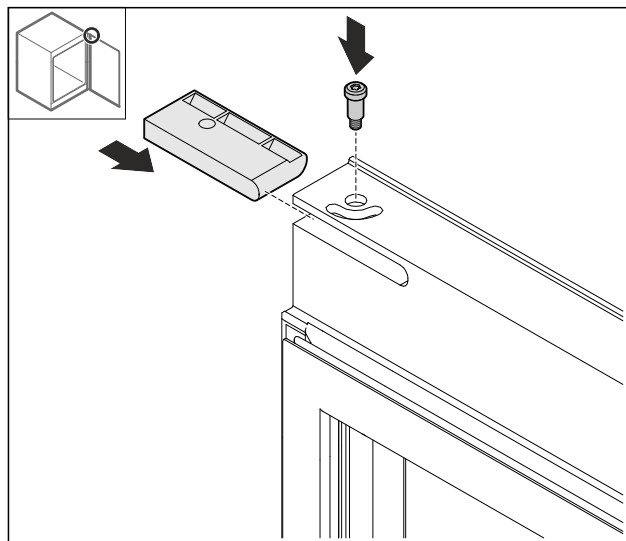
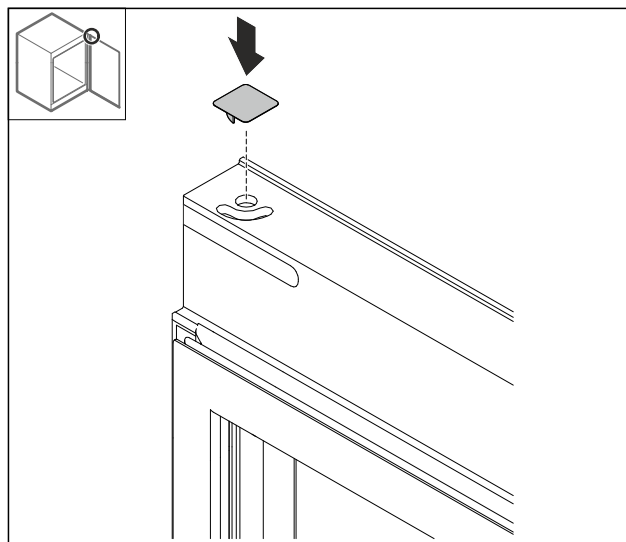


Fig. 20

- Use the cover from the enclosed package.
- Screw the pin tight.



Changing the door hinge with bearing bracket hinge

Fig. 21

- ▶ Insert the cover.

12.8 Moving the bottom cover

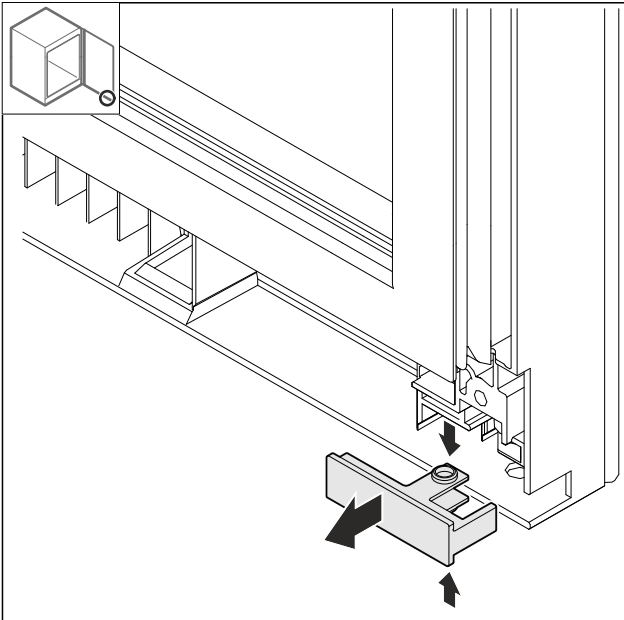


Fig. 22

- ▶ Gently press the top and bottom of the cover together and pull it out towards the front.

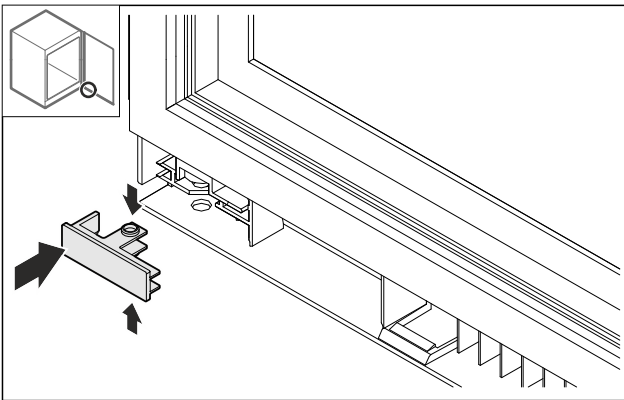


Fig. 23

- ▶ Insert the cover turned 180° on the opposite side.

12.9 Moving the door stopper*

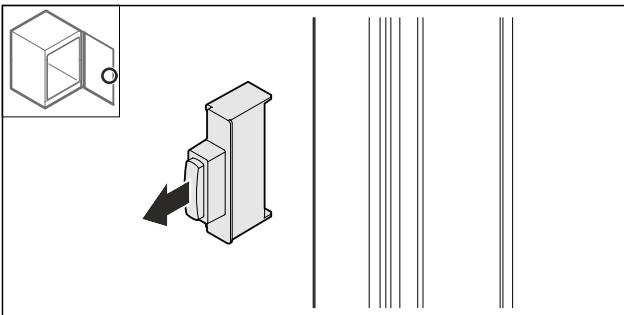


Fig. 24

- ▶ Pull out the door stopper.

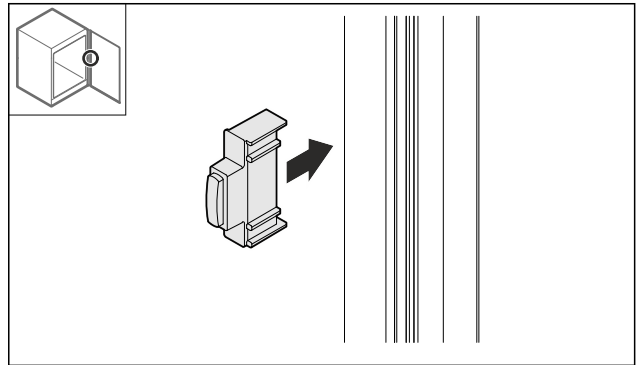


Fig. 25

- ▶ Insert the door stopper turned 180° on the opposite side.

12.10 Attaching the hinges

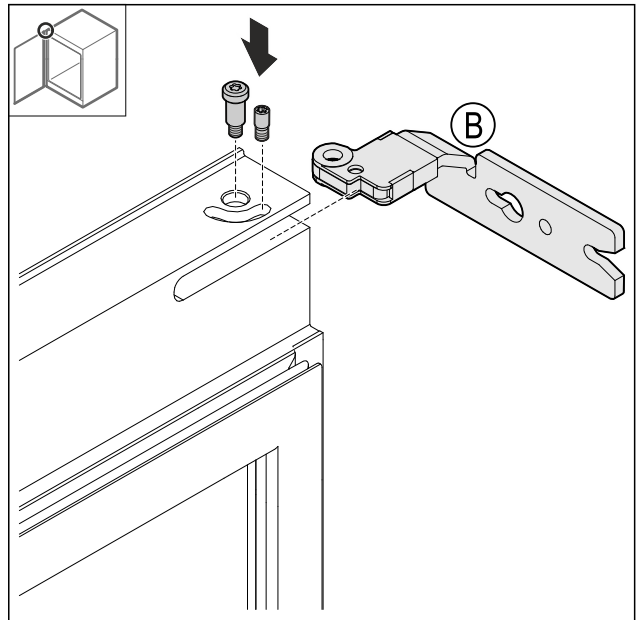


Fig. 26

- ▶ Attach the top hinge.

Changing the door hinge with bearing bracket hinge

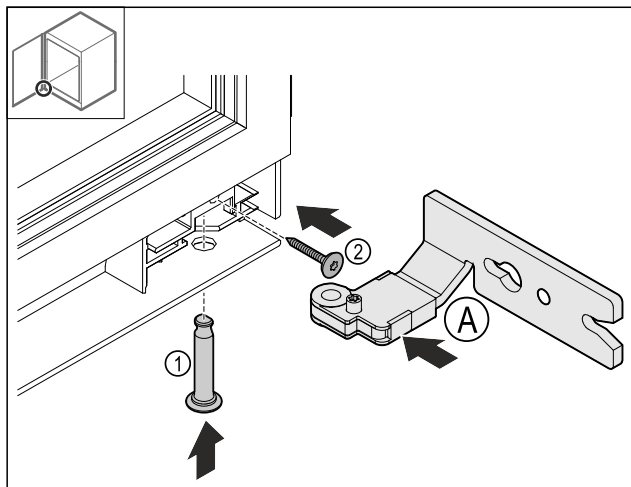


Fig. 27

- ▶ Insert the bottom hinge Fig. 27 (A).
- ▶ Insert the pin Fig. 27 (1) and hold it.
- ▶ Tighten the screw Fig. 27 (2).

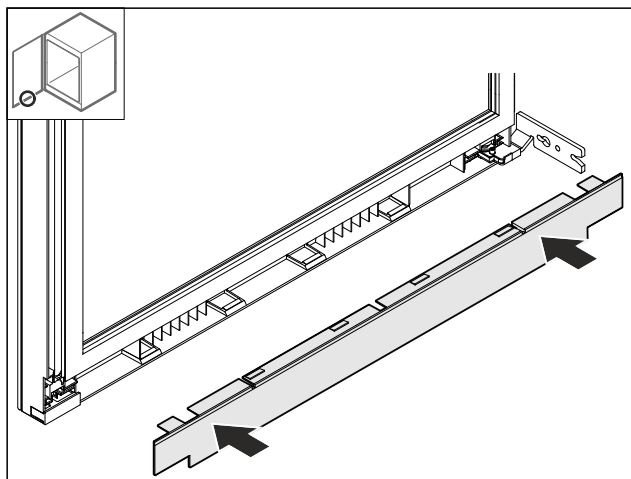


Fig. 28

- ▶ Put on the cover.

12.11 Moving the top bracket

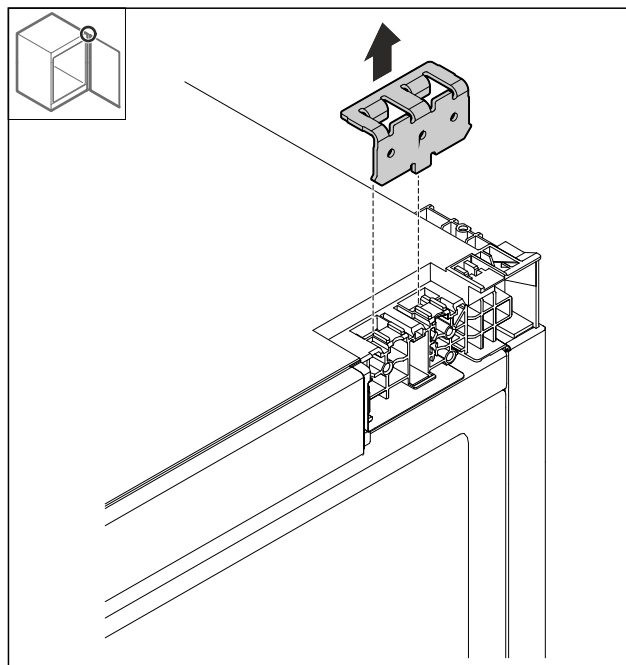


Fig. 29

- ▶ Remove the bracket.

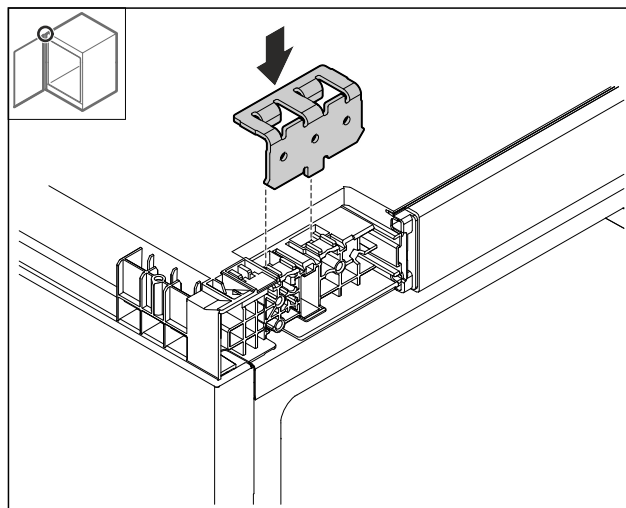


Fig. 30

- ▶ Insert the bracket.

Changing the door hinge with bearing bracket hinge

12.12 Moving the bottom bracket

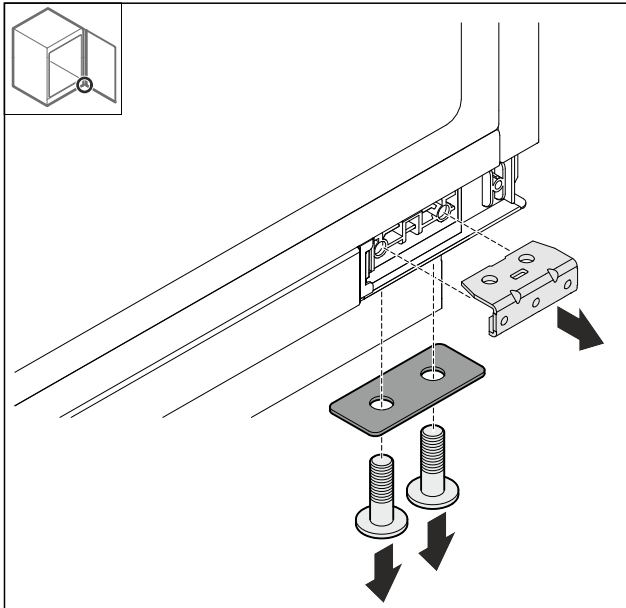


Fig. 31

► Pull off the bracket.

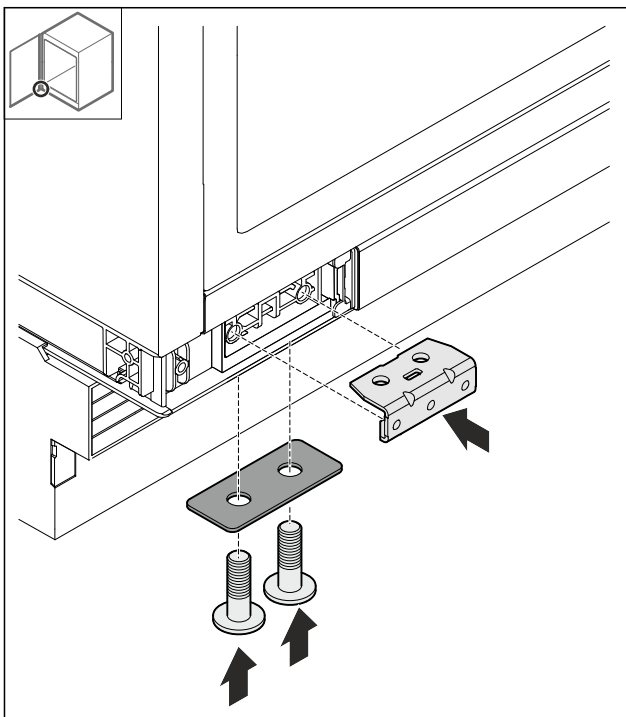


Fig. 32

► Mount the bracket.

12.13 Installing the door

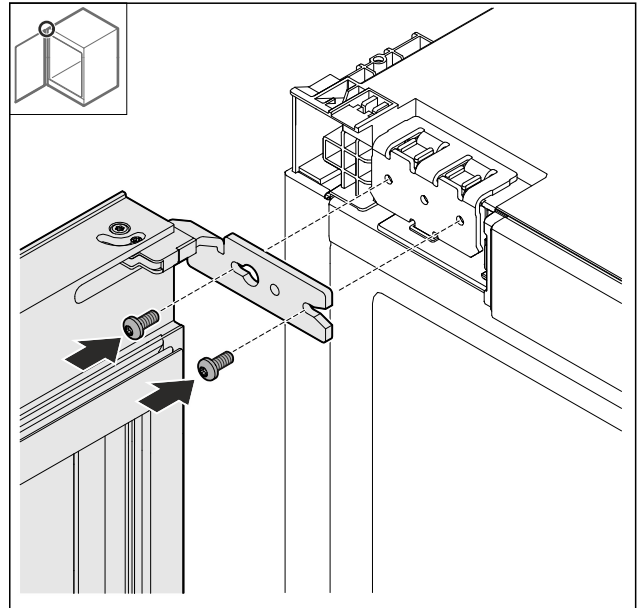


Fig. 33

► Screw on the door at the top.

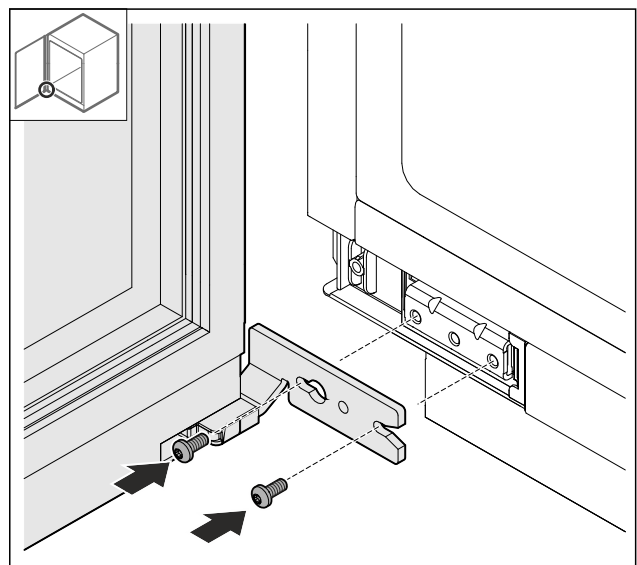


Fig. 34

► Screw on the door at the bottom.

Changing the door hinge with multi-joint hinge (suitable for decoration)

12.14 Putting on the covers

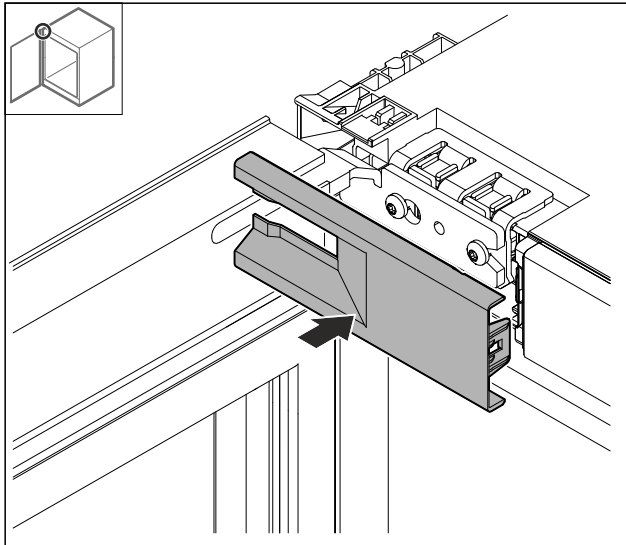


Fig. 35

► Put on the cover.

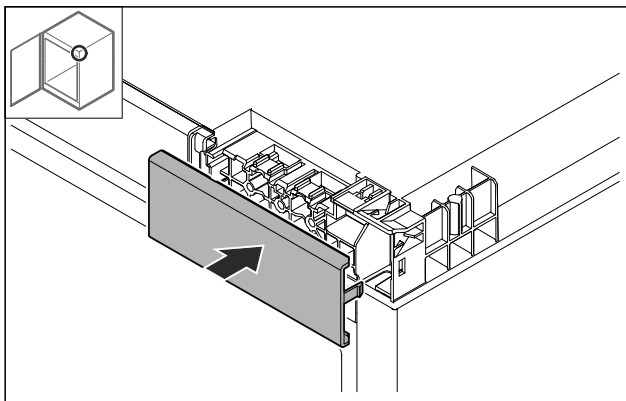


Fig. 36

► Put on the cover.

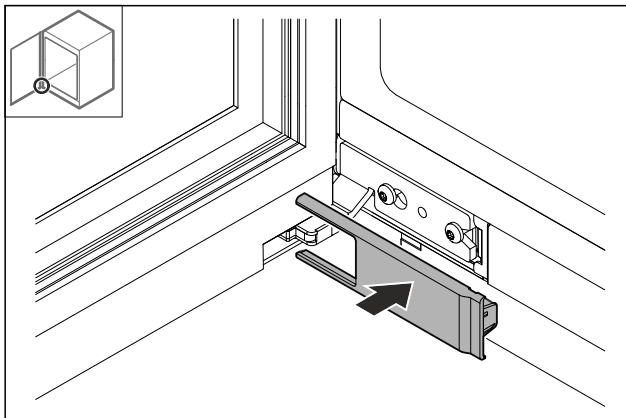


Fig. 37

► Put on the cover.

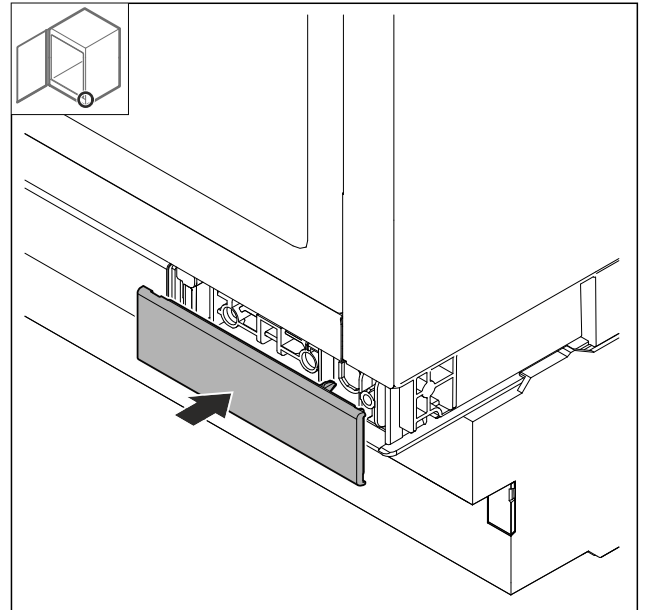


Fig. 38

► Put on the cover.

13 Changing the door hinge with multi-joint hinge (suitable for decoration)

13.1 Safety instructions



WARNING

Risk of injury if the door is not reversed correctly!

► Have a specialist change the door hinge.



WARNING

Risk of injury and material damage from the door weight!

► Only replace the door hinge if you are able to carry a weight of 15 kg (33.07 lb).

► Have two people replace the door hinge.

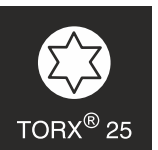
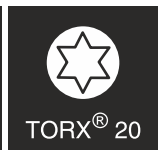
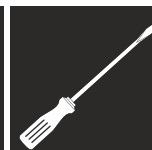
NOTICE

Live parts!

Damage to electrical components.

► Pull the power plug before changing the door hinges.

13.2 Tool



Changing the door hinge with multi-joint hinge (suitable for decoration)

13.3 Removing the covers

► Open the door.

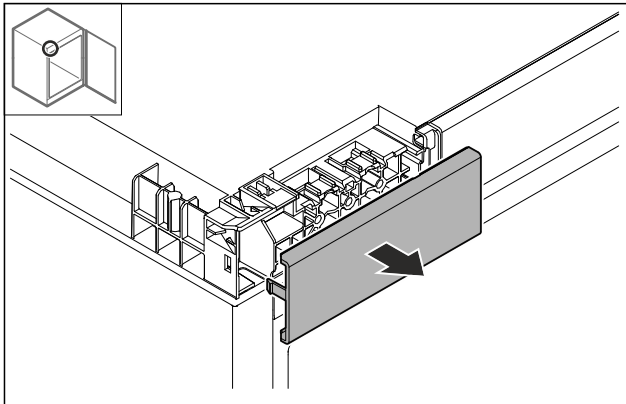


Fig. 39

► Remove the cover.

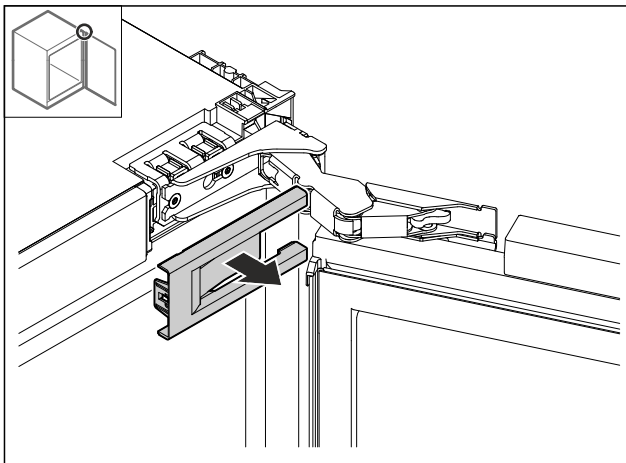


Fig. 40

► Remove the cover.

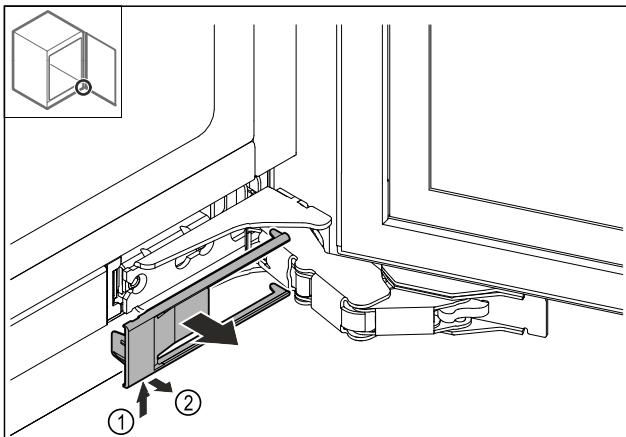


Fig. 41

► Remove the cover.

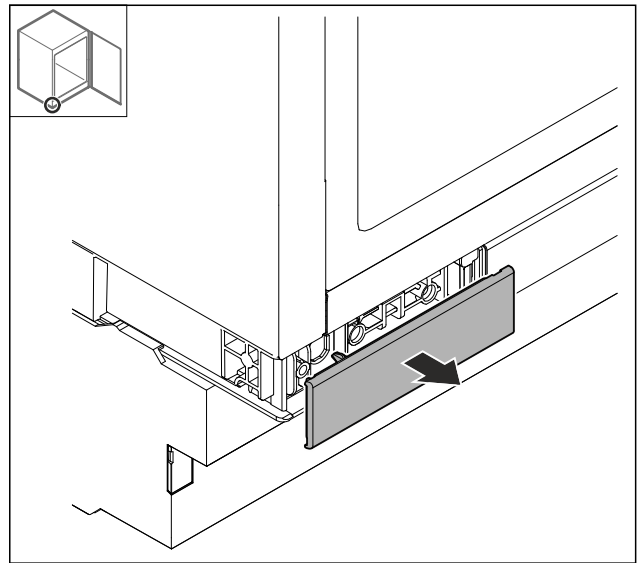


Fig. 42

► Remove the cover.

13.4 Removing the door

NOTICE

Risk of injury if the door tips out!

► Hold the door.

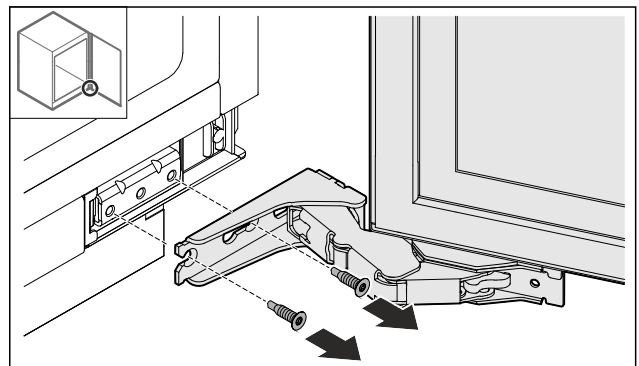


Fig. 43

► Release the screws at the bottom.

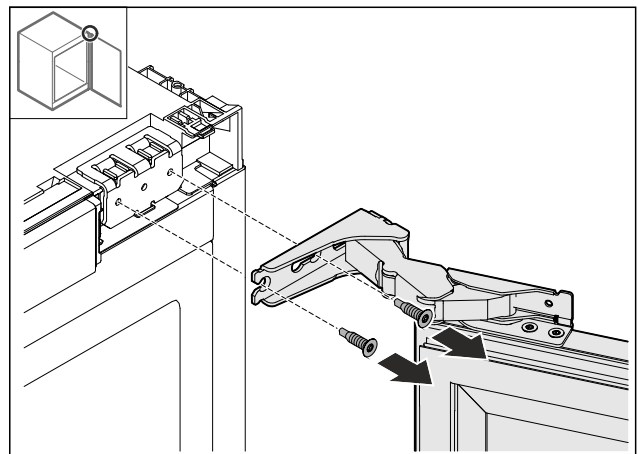


Fig. 44

Changing the door hinge with multi-joint hinge (suitable for decoration)

- ▶ Release the screws at the top.
- ▶ Remove the door.
- ▶ Place the door on a soft support.

13.5 Removing the hinge

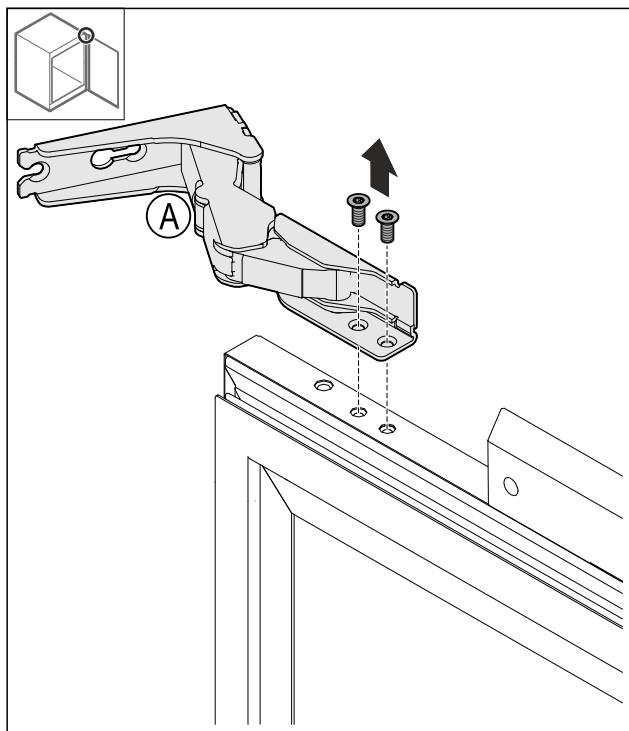


Fig. 45

- ▶ Unscrew the screws.

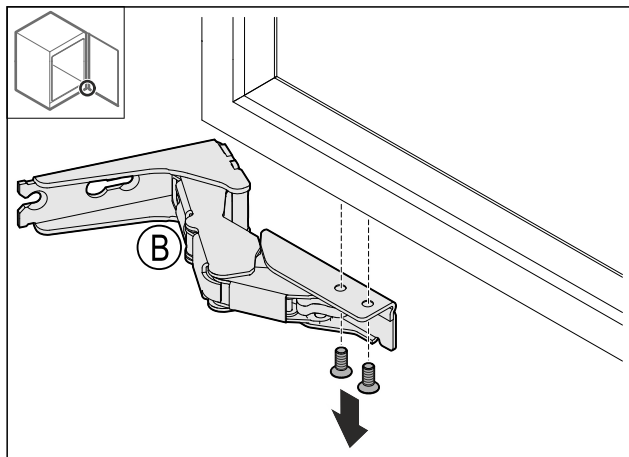


Fig. 46

- ▶ Unscrew the screws.

13.6 Moving the door stopper

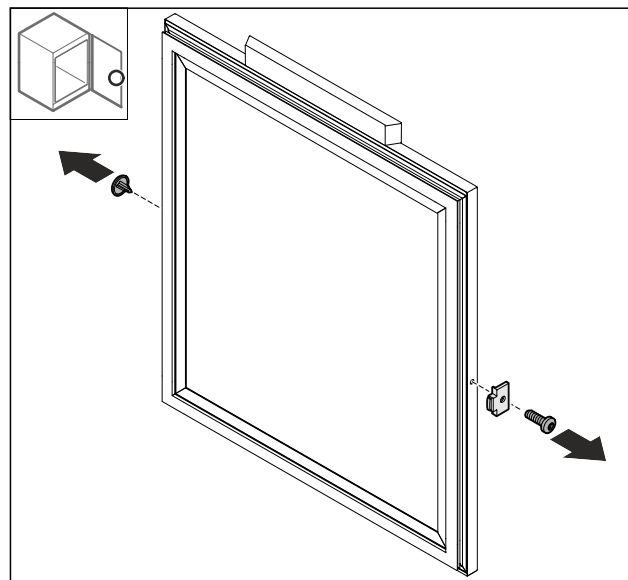


Fig. 47

- ▶ Remove the Fig. 47 (1) cover.
- ▶ Pull off the door stopper Fig. 47 (2).

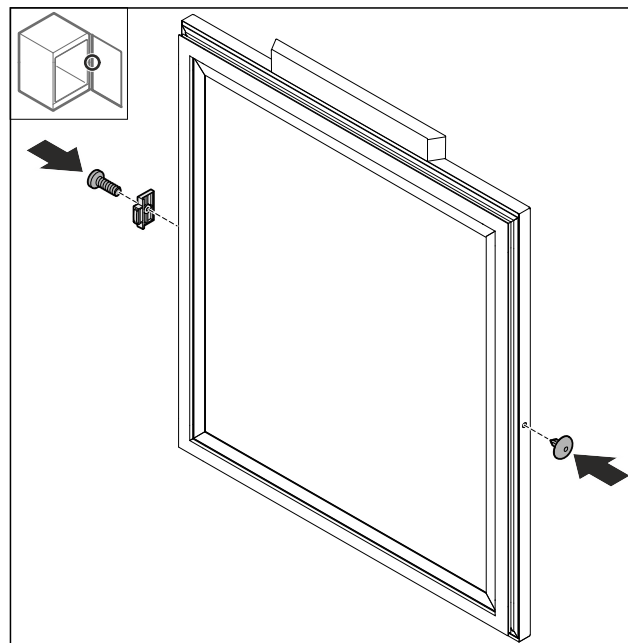


Fig. 48

- ▶ Mount the door stopper Fig. 48 (1) turned by 180° on the opposite side.
- ▶ Insert the cover Fig. 48 (2) on the opposite side.

Changing the door hinge with multi-joint hinge (suitable for decoration)

13.7 Attaching the hinges

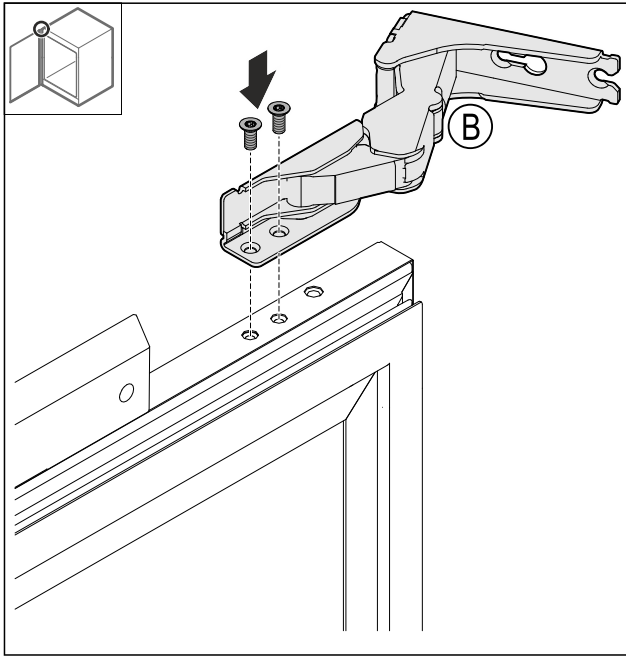


Fig. 49

► Attach the top hinge.

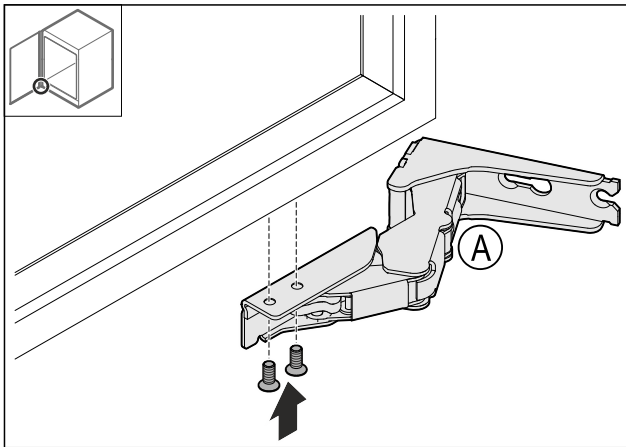


Fig. 50

► Attach the bottom hinge.

13.8 Moving the top bracket

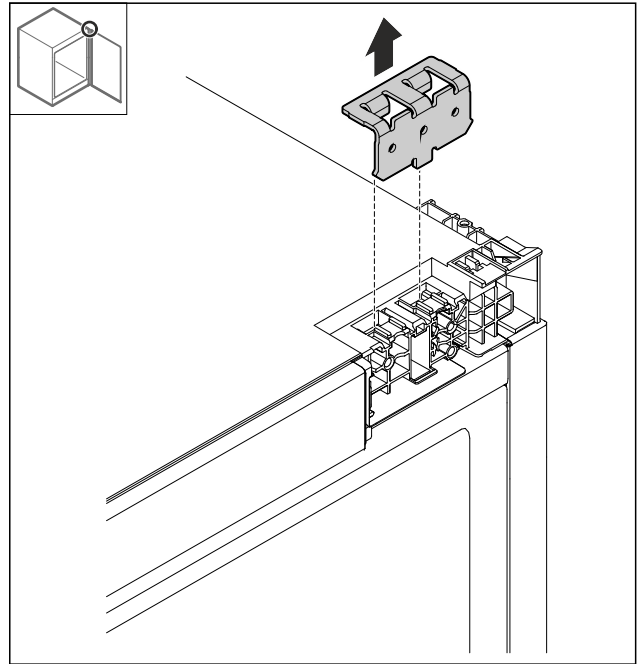


Fig. 51

► Remove the bracket.

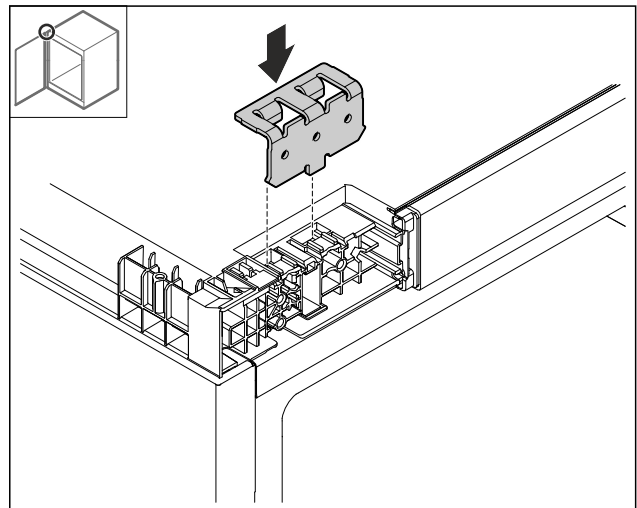


Fig. 52

► Insert the bracket.

Changing the door hinge with multi-joint hinge (suitable for decoration)

13.9 Moving the bottom bracket

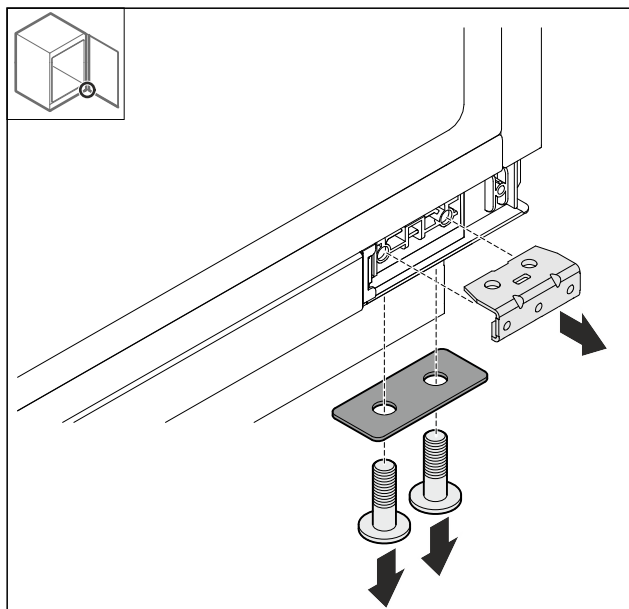


Fig. 53

► Pull off the bracket.

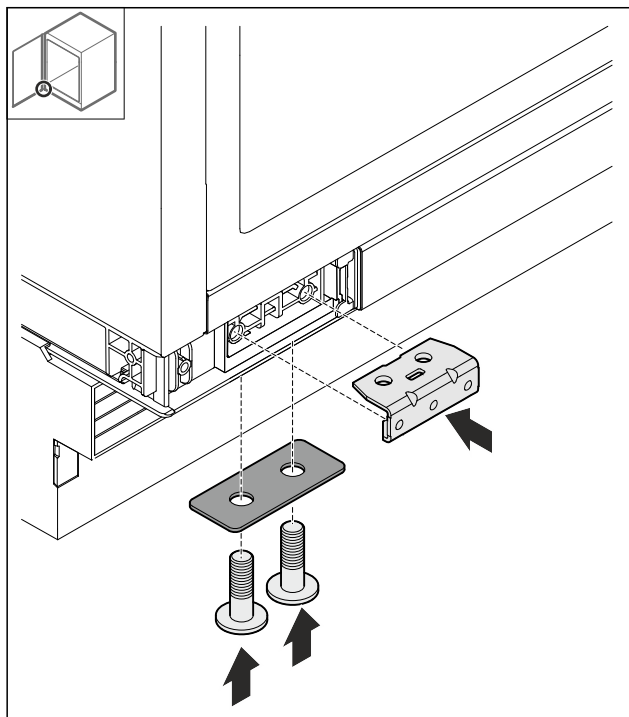


Fig. 54

► Mount the bracket.

13.10 Installing the door

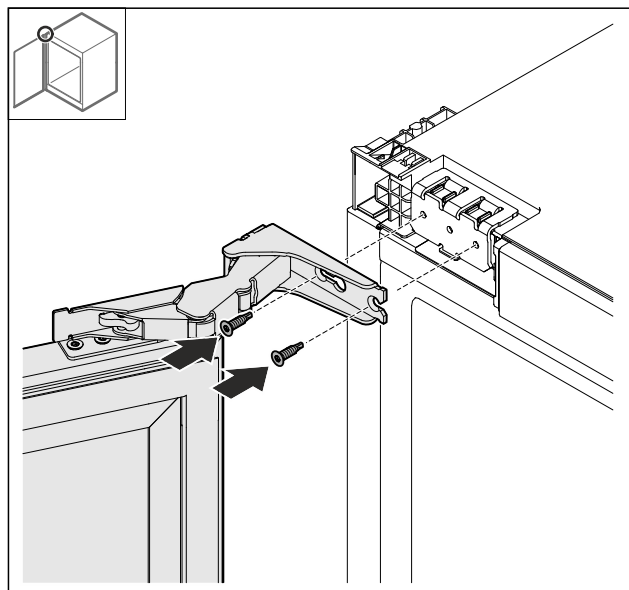


Fig. 55

► Screw on the door at the top.

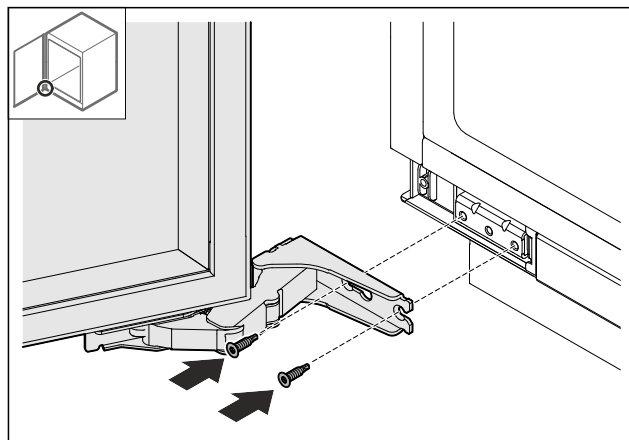
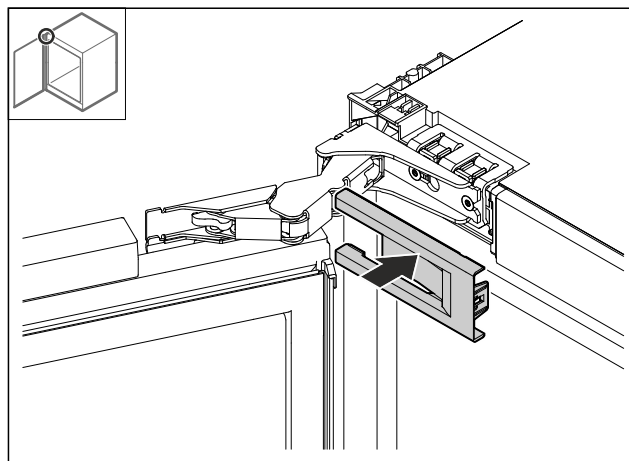


Fig. 56

► Screw on the door at the bottom.

13.11 Putting on the covers



Aligning the door hinge with bearing bracket hinge*

Fig. 57

- ▶ Put on the cover.

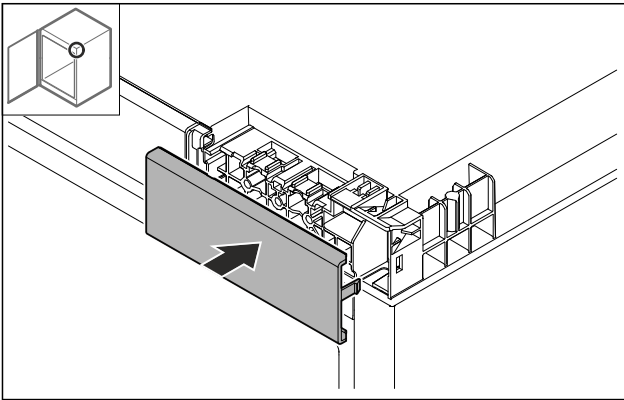


Fig. 58

- ▶ Put on the cover.

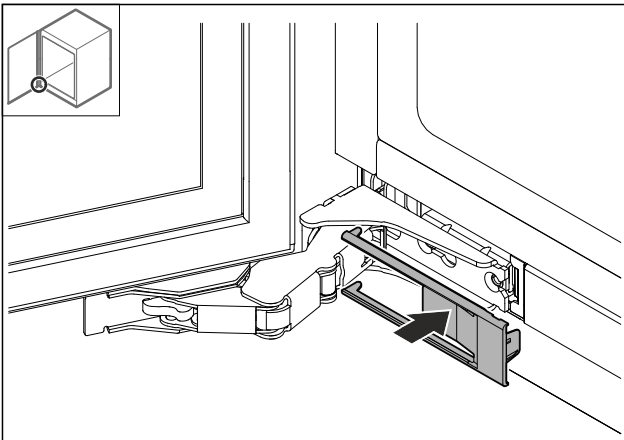


Fig. 59

- ▶ Put on the cover.

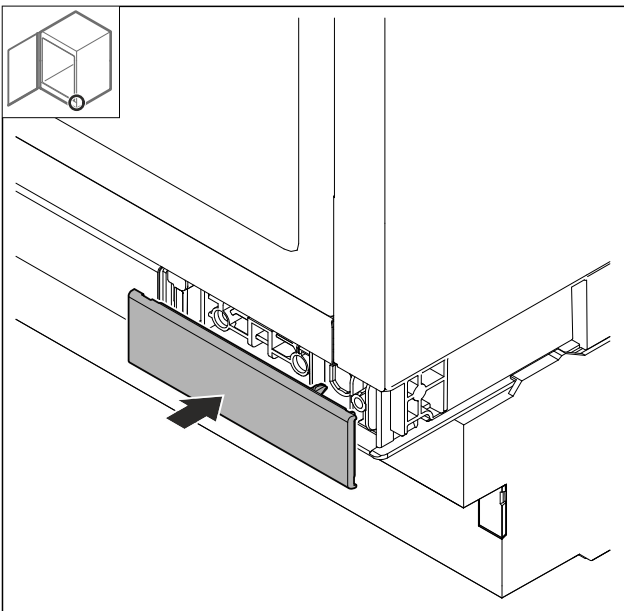


Fig. 60

- ▶ Put on the cover.

14 Aligning the door hinge with bearing bracket hinge*

You can align the door at the hinge angle bracket if the door is not straight.

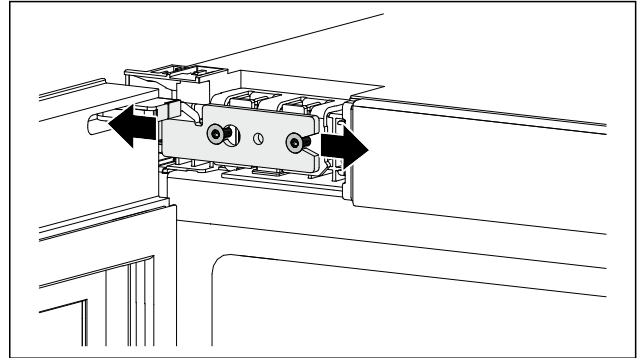


Fig. 61 Example illustration

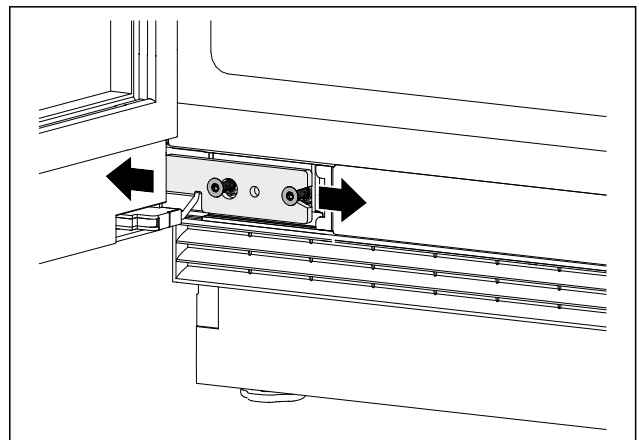


Fig. 62 Example illustration

- ▶ Slightly loosen the screws.
- ▶ Slide the door with the hinge angle bracket to the right or left.
- ▶ Tighten the screws as far as they will go.
- ▶ The door is aligned.

15 Aligning the door hinge with multi-joint hinge (not suitable for decoration)

You can align the door at the hinge angle bracket if the door is not straight.

Recessed installation

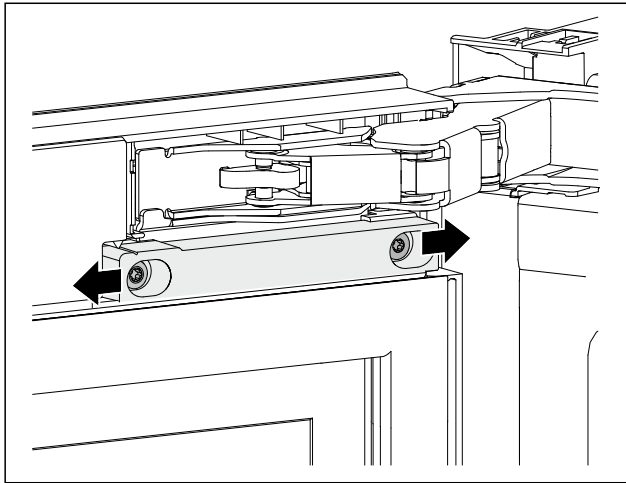


Fig. 63 Example illustration*

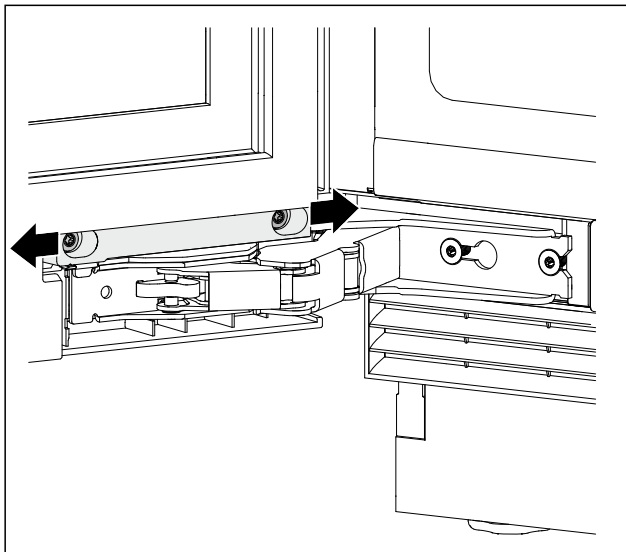


Fig. 64 Example illustration

- ▶ Slightly loosen the screws.
- ▶ Slide the door with the hinge angle bracket to the right or left.
- ▶ Tighten the screws as far as they will go.
- ▶ The door is aligned.

16 Recessed installation

16.1 Tool

Make sure that the following tools are available:

- Torx® 20
- Slotted screwdriver
- Measuring tape
- Pencil
- String
- Level

Before pushing the appliance into the recess, observe the fastening method:

Lateral fastening	Ceiling fastening
Substructure under hard countertop such as granite	No granite plate
The appliance is lower than the countertop when the adjustable feet are fully extended.	The appliance sits slightly braced under the countertop when the adjustable feet are fully extended.
Unit side panel is available for screwing.	

16.2 Preparing the appliance

Make sure that the following requirements are fulfilled before you install the appliance in a recess:

- The door hinge has been mounted. You can only mount the door hinge outside of the recess, because you need sufficient space to do so.
- ▶ Insert the IEC socket of the power cable completely into the appliance plug on the rear side of the appliance.
- ▶ Ensure the IEC socket is firmly in place.
- ▶ Use a string to route the power plug to a socket outlet that is freely accessible.

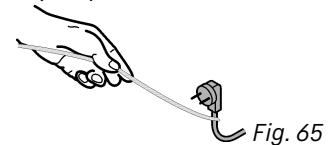


Fig. 65

NOTICE

Risk of damage when moving the appliance! When moving the appliance, you may damage the floor or the appliance's adjustable feet may break off.

Before moving it:

- ▶ Turn the adjustable feet in fully.
- ▶ Place one strip of cardboard (e. g. from the packaging) under each adjustable foot with approx. 100 mm (3 5/16 in) x 600 mm (23 1/2 in).

While moving:

- ▶ Move the appliance carefully.
- ▶ If the floor is not level: Lift the appliance carefully.

After moving it:

- ▶ Remove the cardboard strips.

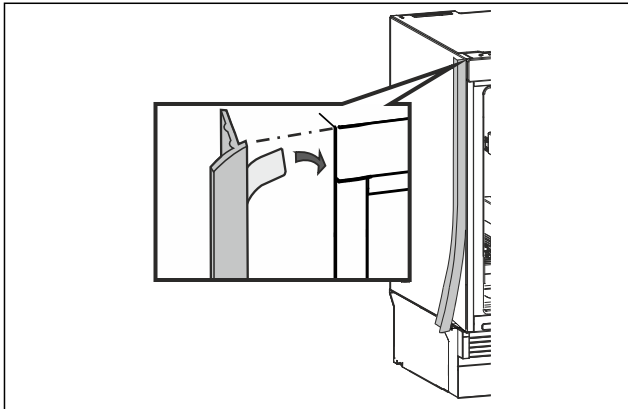


Fig. 66 Example illustration

- ▶ For 600 mm (23 1/2 in) wide recess: Do not use piping.
- ▶ For 610 mm (24 in) wide recess: Attach piping to the side.
 - Appliance rests against neighboring unit on the right: Install piping on the left.
 - Appliance rests against neighboring unit on the left: Install piping on the right.
- ▶ Place the piping at the top below the upper edge and glue it to the side panel. Do not shorten the piping.

16.3 Fastening the appliance to the ceiling

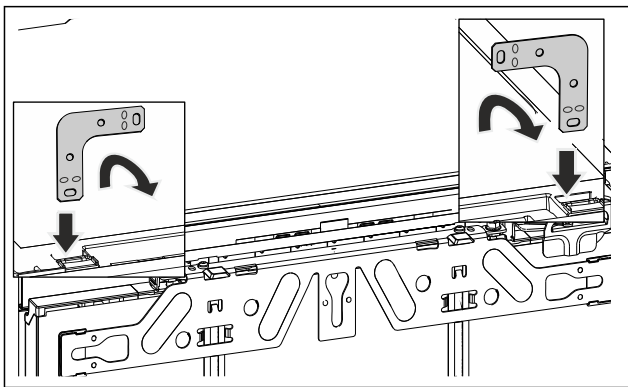


Fig. 67 Example illustration

- ▶ Insert the bracket into the opening in the appliance ceiling and bend it forward.

WARNING

Risk of fire from short circuit!

- ▶ If you are pushing the appliance into the recess: Do not kink, trap, or damage the power cable.
- ▶ Do not operate the appliance with a defective power cable.

- ▶ Push the appliance into the recess and align it, see point (see 16.5 Leveling out the appliance) .

16.4 Fastening the appliance laterally

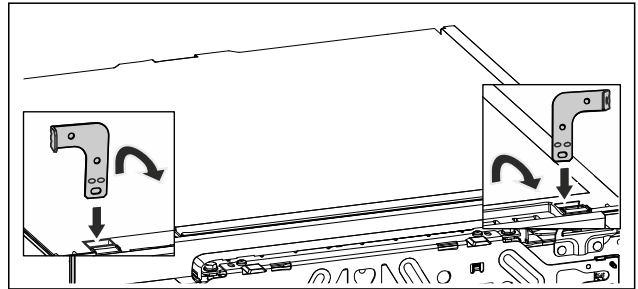


Fig. 68 Example illustration

- ▶ Bend both brackets at one end before installing. Insert the straight side into the opening in the appliance ceiling and bend it forward.

WARNING

Risk of fire from short circuit!

- ▶ If you are pushing the appliance into the recess: Do not kink, trap, or damage the power cable.
 - ▶ Do not operate the appliance with a defective power cable.
-
- ▶ Push the appliance into the recess and align it, see point (see 16.5 Leveling out the appliance) .

16.5 Leveling out the appliance

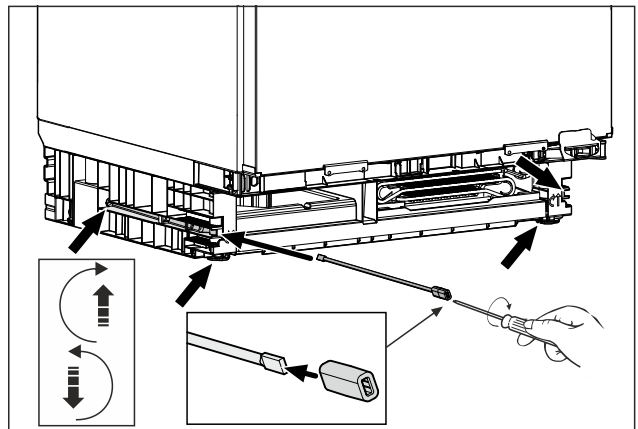


Fig. 69 Example illustration

- ▶ Unscrew the adjustable feet to below the worktop.
- ▶ Align the appliance so it stands up straight using a level.
- ▶ Keep the rod with adapter piece for dismantling the appliance.

Recessed installation

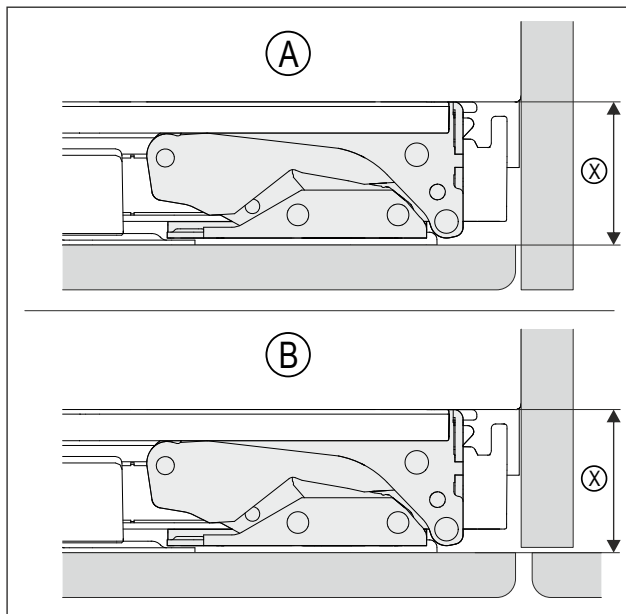


Fig. 70 Example illustration

(A) Recess with wall **(X)** Is the distance between the appliance body and the rear side of the mounted cabinet front

(B) Recess with adjacent cabinets

- ▶ Check to ensure that the distance (X) corresponds to the installation situation (A) or (B).

(X)	42 mm (1 5/8 in)
If there is no unit side panel, use the worktop as a guide.	

- ▶ Unscrew the adjustable feet alternately to the maximum. The maximum adjustment range is 60 mm (2 3/8 in).
- ▶ The appliance is aligned so it stands up straight.
- ▶ The appliance is slightly braced in the recess between the floor and worktop.

16.6 Installing the base

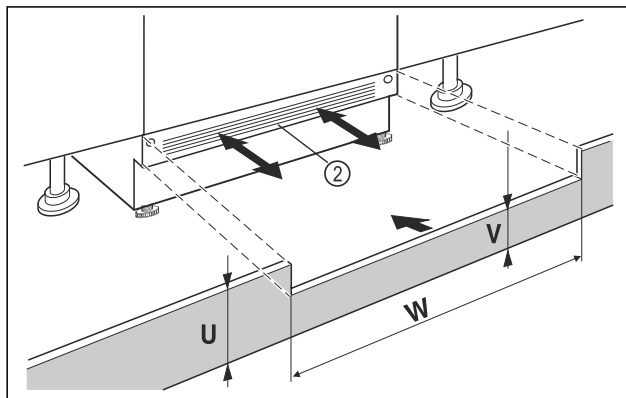


Fig. 71 Example illustration

- ▶ Put on the appliance base cover Fig. 71 (2) but do not fix it yet.
- ▶ Position the unit door and unit base cover for testing
- ▶ If the base cover Fig. 71 (2) is visible, pull it so far forward that the front edge of the ventilation grille and the unit base cover form one level.

-or-

- ▶ If the base cover is concealed Fig. 71 (2), push it all the way back.
- ▶ Ensure that the ventilation slots are completely free: If necessary, cut the height of the unit base cover Fig. 71 (U) to size!
- ▶ Adjust the bar height Fig. 71 (V) under the appliance base cover Fig. 71 (2) along the recess width Fig. 71 (W).

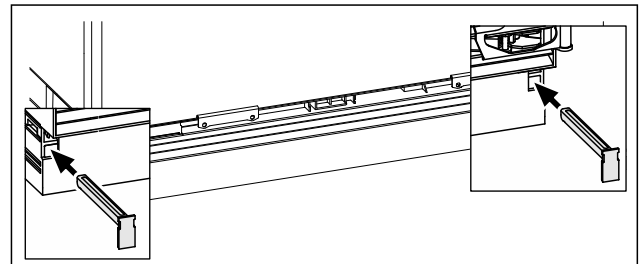


Fig. 72 Example illustration

- ▶ Fix the appliance base cover: Insert the latch while holding the appliance base cover.
- ▶ Fasten the unit base cover.

16.7 Fastening the appliance in the recess

Ceiling fastening:

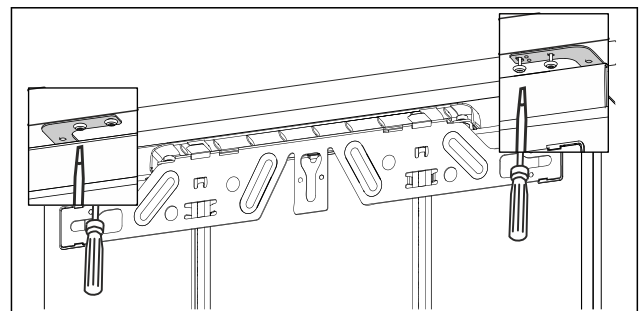


Fig. 73 Example illustration

- ▶ For fastening under the worktop, screw on the mounting brackets with two screws each underneath the worktop.

Lateral fastening:

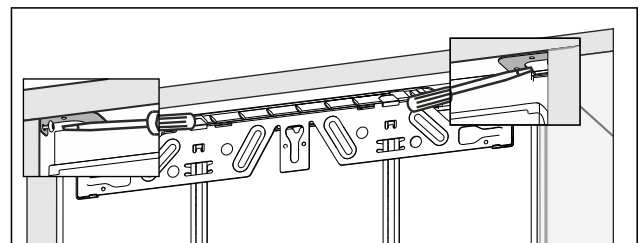


Fig. 74 Example illustration

Installing the unit door

- ▶ For lateral fastening, screw the mounting bracket into the recess with one screw each on the right and left.

17 Installing the unit door

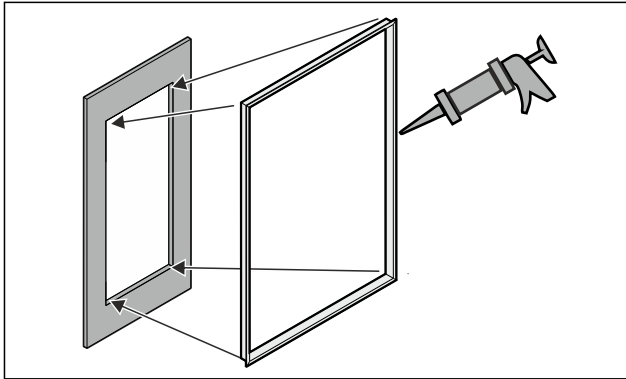
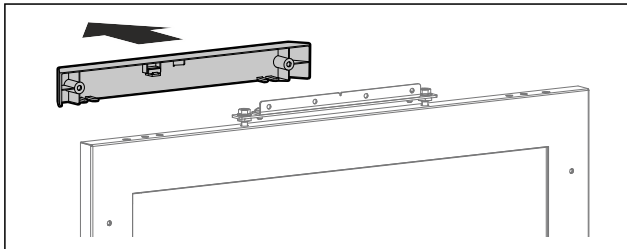
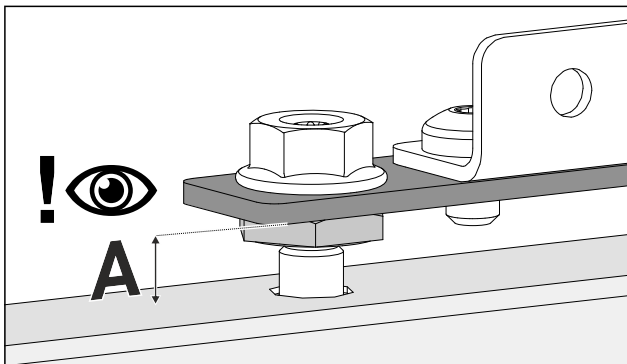


Fig. 75

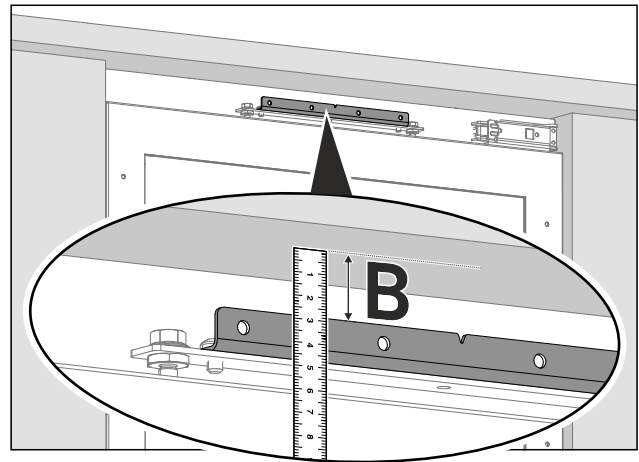
- ▶ Glue the optional profile frame into the cutout. *
- ▶ Install the handle on the unit door; it is not possible to install it later.



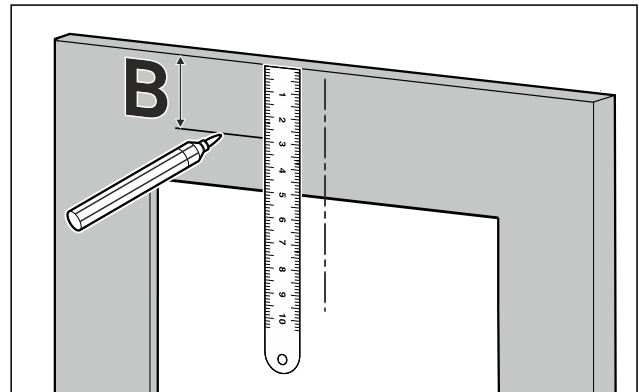
- ▶ Remove the cover.



- ▶ Check the presetting (A) of 8 mm (5/16 in) (distance between appliance door and lower edge of mounting plate).
- ▶ Adjust the distance if necessary.



- ▶ Measure the distance (B) between the lower edge of the worktop and the upper edge of the mounting bracket.



- ▶ Transfer the distance (B) to the back of the unit door and mark it.

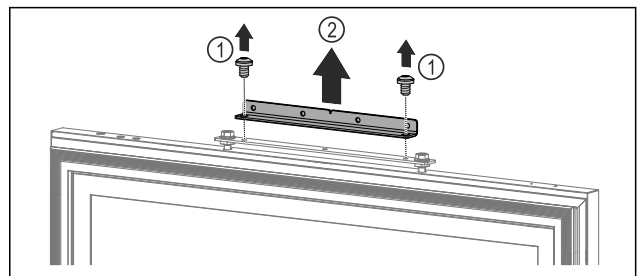


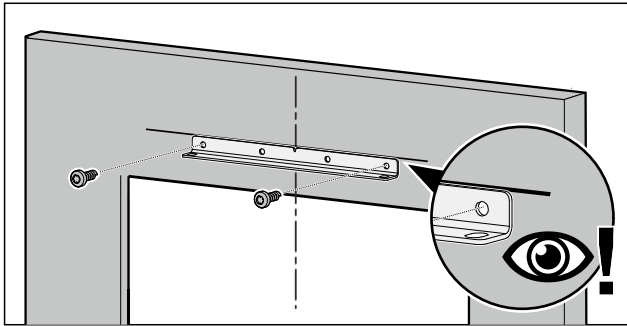
Fig. 76

- ▶ Remove the screws. Fig. 76 (1)
- ▶ Remove the mounting bracket. Fig. 76 (2)

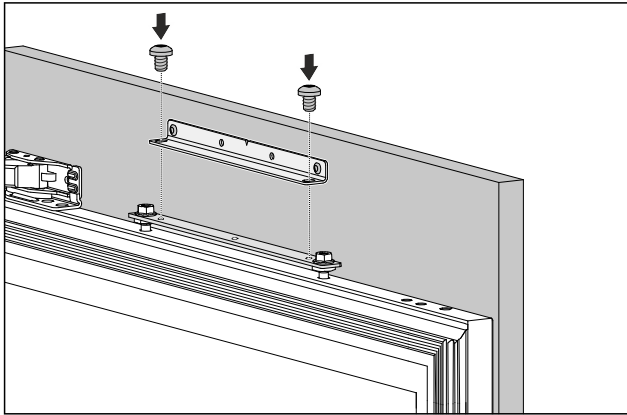
Note

Pay attention to the length of the screws!

Installing the unit door



- ▶ Align the mounting bracket with the marked distance and screw it to the center of the unit door.



- ▶ Fasten the unit door to the appliance.
- ▶ Close the door.

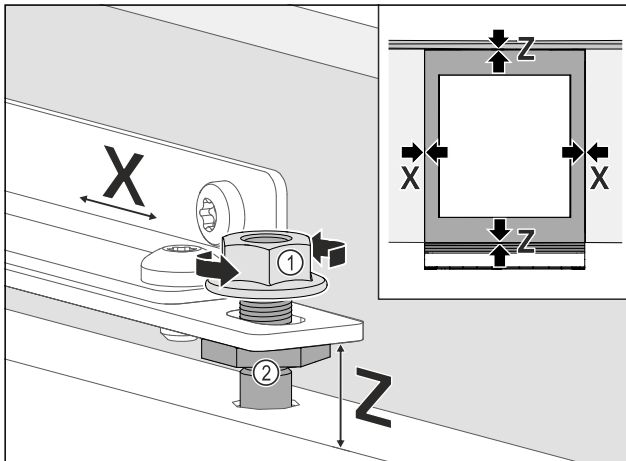


Fig. 77

- ▶ Check the door spacing to the surrounding unit doors.
- ▶ Align the unit door laterally: Loosen the lock nut Fig. 77 (1), move the unit door in X direction.
- ▶ Tighten the lock nuts Fig. 77 (1).
- ▶ Align the height Z and lateral inclination of the unit door: Set the adjustment bolt Fig. 77 (2).
- ▶ The unit door is flush and aligned with the surrounding cabinet fronts.

Note

Pay attention to the length of the screws!

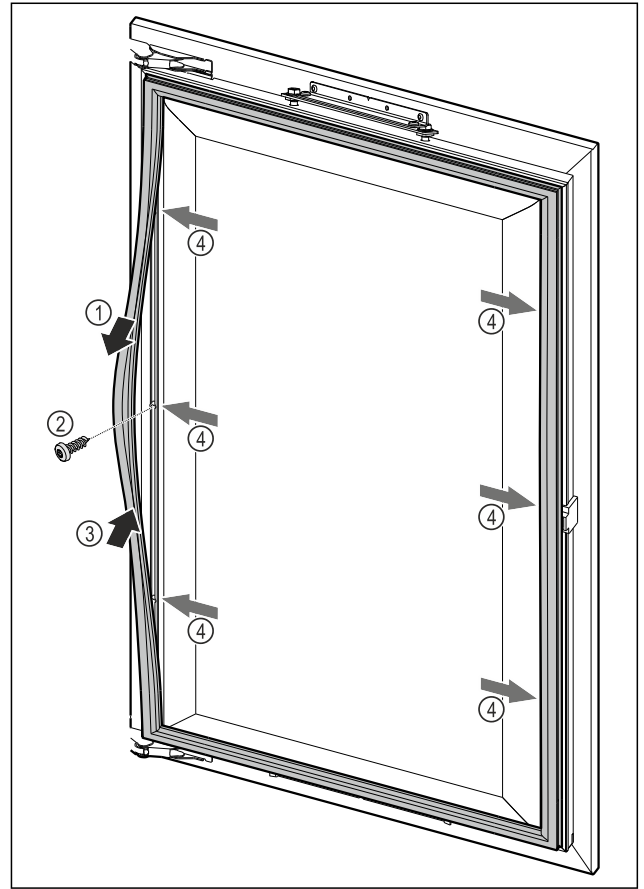
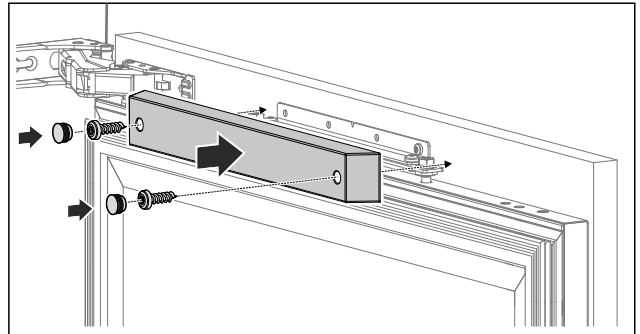


Fig. 78

- ▶ Loosen the magnetic door seal at certain points Fig. 78 (1), screw on the unit door through the drill hole underneath Fig. 78 (2) and snap the magnetic door seal back into place Fig. 78 (3).
- ▶ Repeat this step at all fastening points Fig. 78 (4).



- ▶ Put on the top cover and screw it on to ensure a proper closing function.

18 Connecting the appliance to the power supply



WARNING

Danger of electric shock and injury due to damaged appliance or damaged mains cable!
Cuts and fatal injury. If the appliance or the mains cable is damaged during transport, you may be electrocuted. You could also cut yourself on damaged parts of the appliance housing.

- ▶ Check the appliance and the mains cable for damage after transport.
- ▶ Never put the appliance into operation if the appliance or the mains cable are damaged.
- ▶ Contact Customer Service.

You can connect your appliance to the mains using the power cable supplied separately. The mains power cable has an appliance coupler at one end and a mains plug at the other end.

Make sure that the following requirements are fulfilled:

- The appliance and power cable are undamaged.
- The appliance is installed in accordance with the regulations. (see 16 Recessed installation)
- Requirements for the electrical connection are met. (see 1 Installation conditions)
- Dimensions for connection in accordance with regulations are known and observed.
- Mains voltage and frequency correspond to the specifications on the type plate.
- The socket is grounded and fused in accordance with regulations.
- The tripping current for the fuse is between 10 A and 16 A.

NOTICE

Danger of damage to incorrect operation!
Damage to the electrical components of the appliance.

- ▶ Only use the supplied power cable.

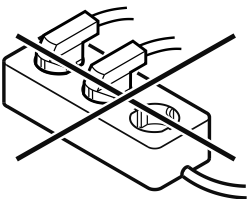


WARNING

Danger of fire due to incorrect connection!
Burns.

Damage to the appliance.

- ▶ Do not use an extension cord.
- ▶ Do not use a multipoint connector strip.



NOTICE

Danger of damage to incorrect connection!
Damage to the appliance.

- ▶ Do not connect the appliance to a stand-alone inverter, e.g. solar power systems and petrol generators.
- ▶ Connect the mains plug of the power cord to the power supply. Ensure the main plug is firmly plugged into the outlet.
- ▶ If no action is taken within 60 seconds: Standby symbol fades or disappears.*
- ▶ Appliance is connected. For initial commissioning, see the next chapter or the operating instructions.



home.liebherr.com/fridge-manuals

EN Under-worktop refrigerators and freezers

Issue date: 20260326

Part number index: 7083878-00

For service in the United States and Canada: Liebherr Service Center
Toll Free: 1-844-542-6782
Email: service-commercial.us@liebherr.com
PlusOne Solutions, Inc.
3501 Quadrangle Blvd, Suite 120
Orlando, FL 32817