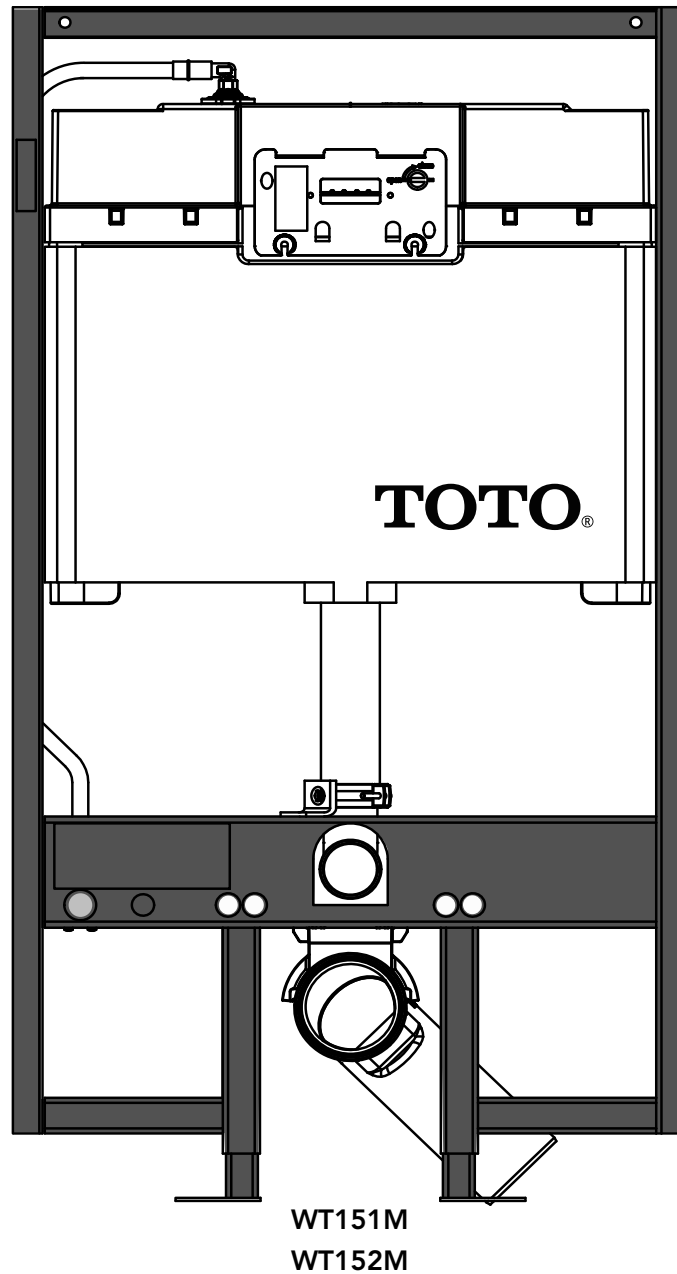


DuoFit™ In Wall Tank System
DuoFit™ Sistema de Tanque Empotrado
DuoFit™ Système de Réservoir Mural



Warranty Registration and Inquiry

For product warranty registration, TOTO U.S.A. Inc. recommends online warranty registration. Please visit our web site <http://www.totousa.com>. If you have questions regarding warranty policy or coverage, please contact TOTO U.S.A. Inc., Customer Service Department, 1155 Southern Road, Morrow, GA 30260 (888) 295-8134 or (678) 466-1300 when calling from outside of U.S.A.

TABLE OF CONTENTS

Thanks for Choosing TOTO®!	3
Common Tools Needed	3
Included Parts	3
Before Installation	4
Installation Procedure	5-8
Washlet® Kit Installation Procedure	9
Servicing Procedures	10
Warranty	11

THANKS FOR CHOOSING TOTO!

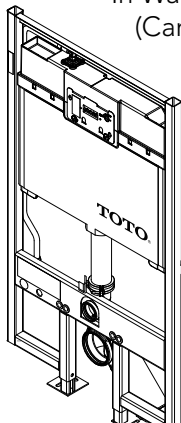
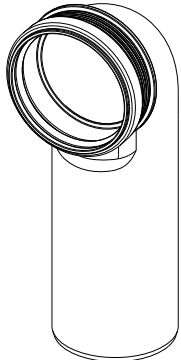
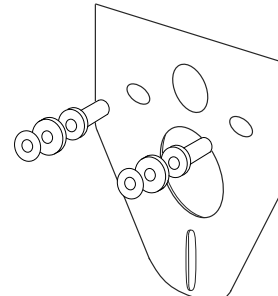
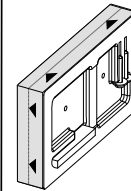
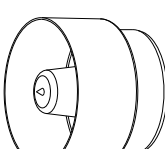
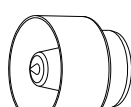
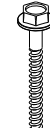



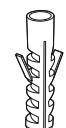
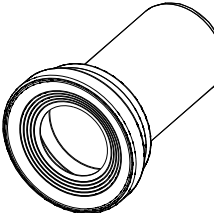
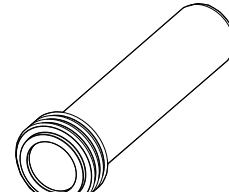




The mission of TOTO is to provide the world with healthy, hygienic and more comfortable lifestyles. We design every product with the balance of form and function as a guiding principle. Congratulations on your choice.

COMMON TOOLS NEEDED

- | | |
|---|---|
| <ul style="list-style-type: none"> • Hacksaw • Flat File • Drill • 1/8" (3mm) Drill Bit | <ul style="list-style-type: none"> • 3-1/2" (89mm) Hole Saw • 7/16" Open or Boxed-end Wrench • Tape Measure • Carpenter's Level |
|---|---|

INCLUDED PARTS

Check to make sure you have all these parts from the package:

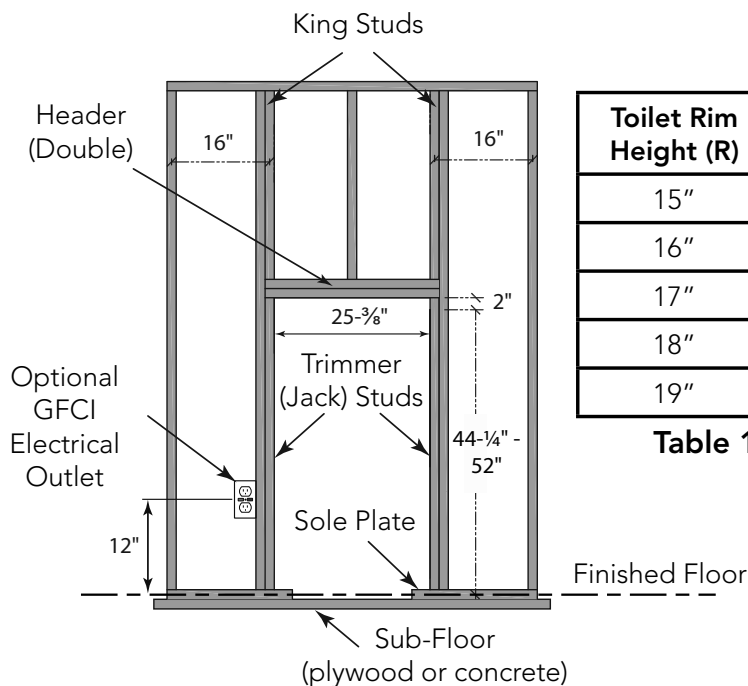
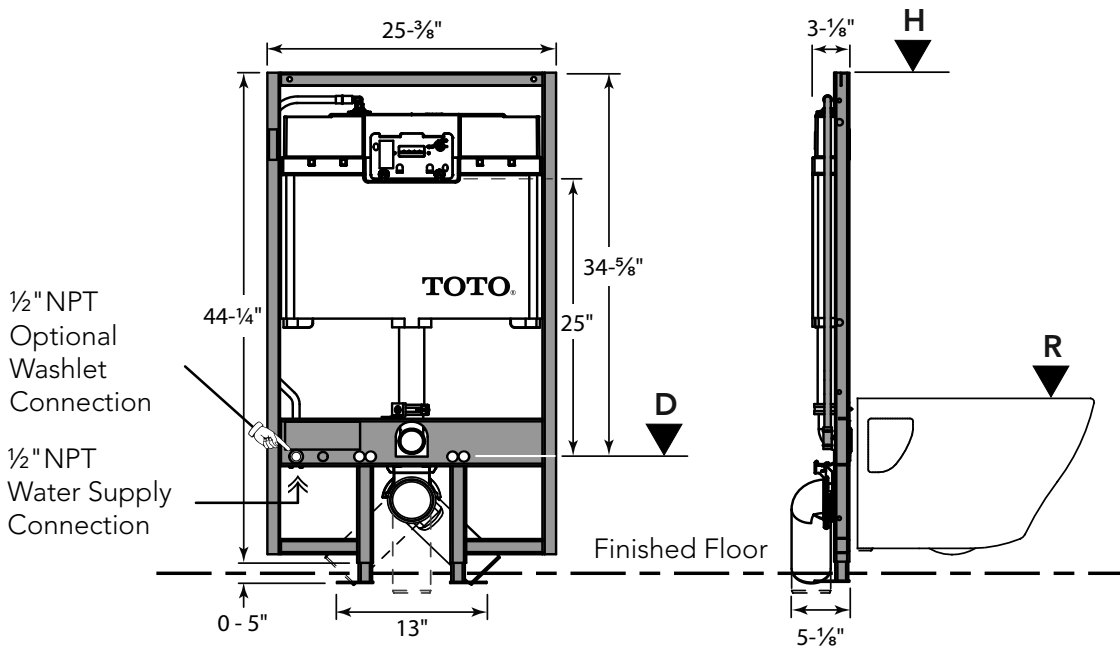
 <p style="text-align: center;">In Wall Tank (Carrier)</p>	 <p style="text-align: center;">Outlet Pipe</p>	 <p style="text-align: center;">Sound Damper Set</p>	 <p style="text-align: center;">Push Plate Rough In</p>
<p><u>Parts in Bag 1</u></p>		<p><u>Parts in Bag 2</u></p>	
 <p style="text-align: center;">Outlet Pipe Rough In</p>	 <p style="text-align: center;">Inlet Pipe Rough In</p>	 <p style="text-align: center;">Lag Screw (8)</p>	 <p style="text-align: center;">Plug</p>
 <p style="text-align: center;">Toilet Mounting Stud (2)</p>	 <p style="text-align: center;">Lower Bracket</p>	 <p style="text-align: center;">Anchors (2)</p>	 <p style="text-align: center;">Flange Pipe</p>
			 <p style="text-align: center;">Inlet Pipe</p>
 <p style="text-align: center;">Bolt Cap (2)</p>	 <p style="text-align: center;">Nut (2)</p>	 <p style="text-align: center;">Washer (2)</p>	 <p style="text-align: center;">Stud Bolt Flange (2)</p>

BEFORE INSTALLATION

- Read these instructions thoroughly before beginning work.
- Please leave these instructions with the customer. They contain important maintenance and warranty information.
- If necessary, remove the existing toilet.
- CAUTION! Be sure to properly bleed all air from the piping system prior to using any TOTO products. Trapped/compressed air can cause damage to the flushing system and toilet bowl.

Prepare the support for the carrier as shown. Consult with a building contractor and/or local codes for any additional requirements. Add double wall studs, a double header stud and a jack stud per the shown dimensions. Confirm that the opening is square.

ENGLISH



Toilet Rim Height (R)	System Height (H)	Mounting Rod Height (D)
15"	46-1/4"	11-1/2"
16"	47-1/4"	12-1/2"
17"	48-1/4"	13-1/2"
18"	49-1/4"	14-1/2"
19"	50-1/4"	15-1/2"

Table 1: Dimensions measured from Finished Floor

INSTALLATION PROCEDURE

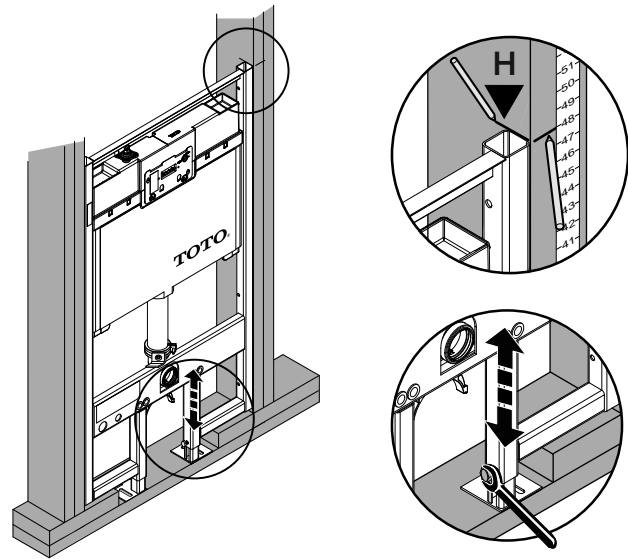
Installing the In-Wall Tank System

ENGLISH

Loosen the bolts on the adjustable legs and place the carrier into the wood frame.

Adjust the carrier to the desired height with reference to the Finished Floor (see Table 1 for guide) and marked on the wood frame.

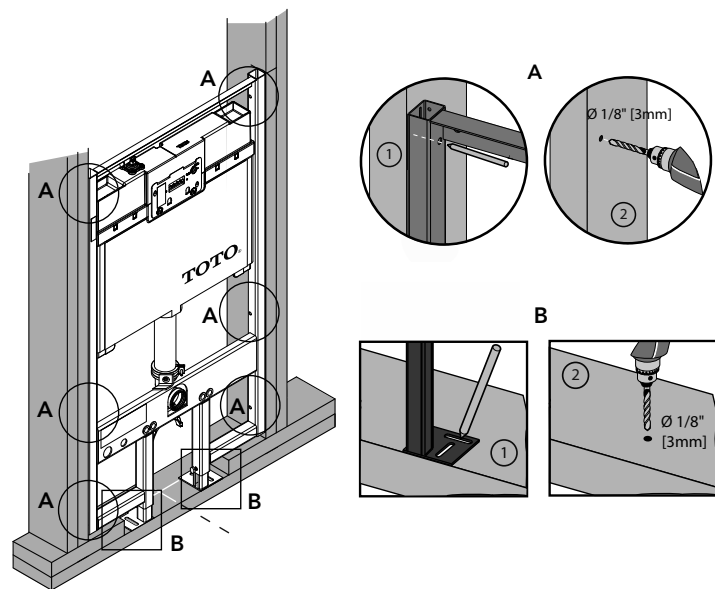
Tighten the two bolts on the legs to secure the height of the carrier.



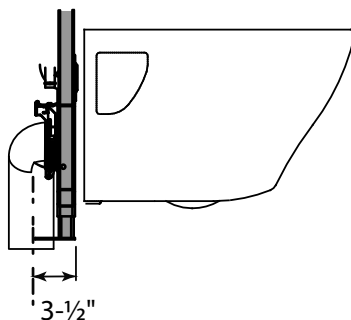
Mark the location for drilling pilot holes for the screws to secure the carrier to the wood frame.

There are six (6) screws for the side (3 on each side) and two on the feet. Make sure the carrier is flush with the wood frame before placing the markings.

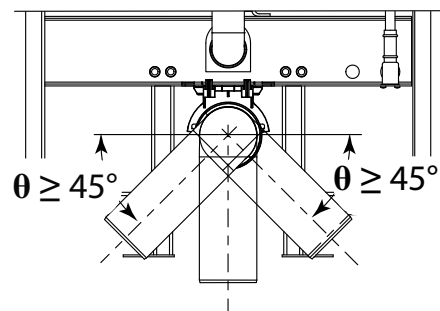
Remove the carrier from the wood frame, drill six (6) 1/8" holes on the wall stud (Trimmer/ Jack) and two (2) on the subfloor (plywood); for concrete, drill 3/8" holes for anchors.



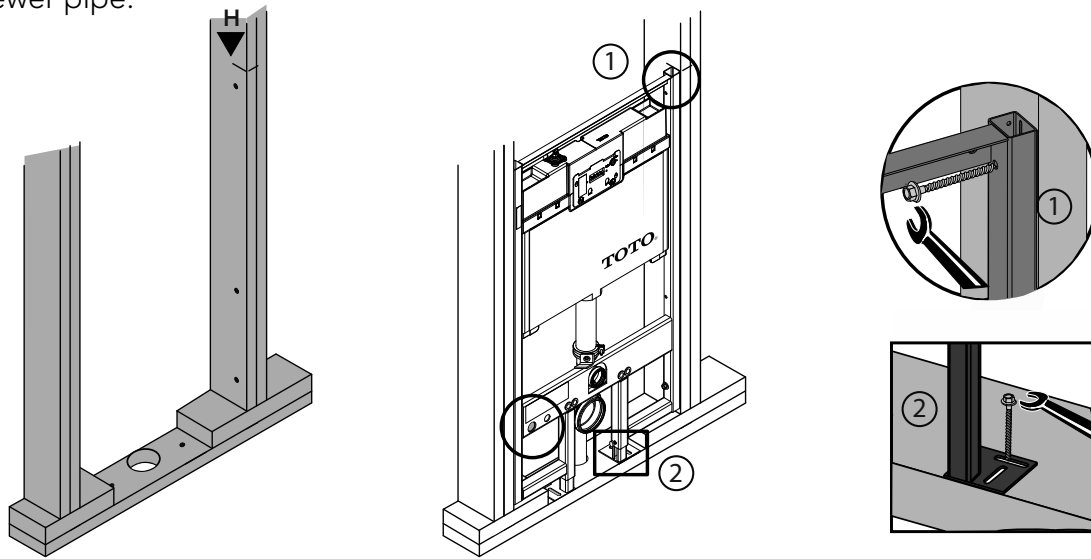
For vertical drain installation, drill a 3-3/4" hole on the subfloor 3-1/2" from the front of studs.



For left or right drain connection, it is recommended to install the drain at 45° or more from the outlet horizontal.

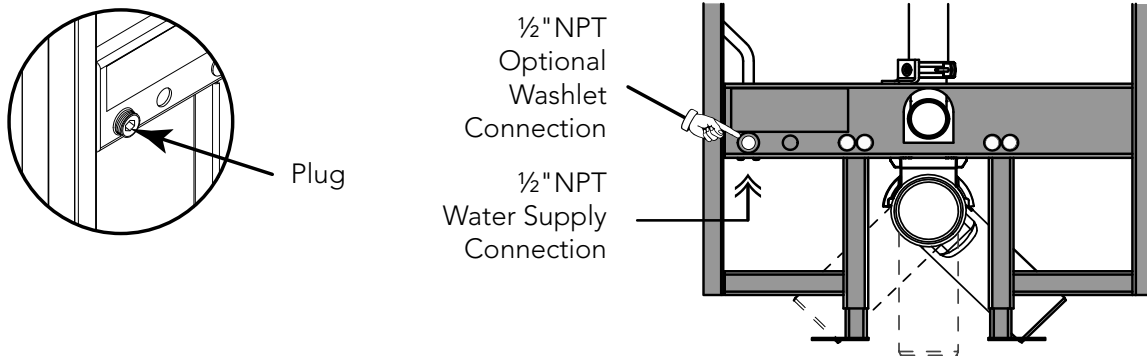


Use the lower bracket to lock the outlet pipe to the Carrier.
 Place the carrier into the wood frame, make sure the carrier is horizontally leveled and flush is placed in the front face of the stud frame.
 Use the screws provided for securing the System. Install the outlet pipe to the sewer pipe.

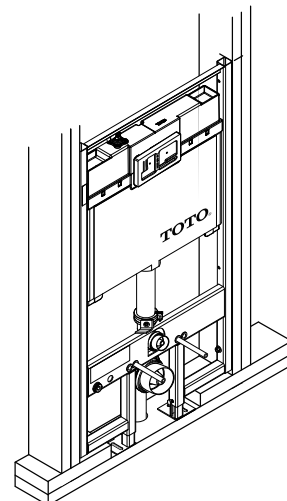


If not installing Washlet, the "Optional Washlet Connection" outlet must be plugged before panelling the wall.

If Washlet is installed, follow instruction on page 8 "Installing TOTO Washlet" section. Follow the instructions provided with the Washlet for further detailed installation.



Plumb the water supply line and check for leak.
 Insert the rough-ins for the inlet and outlet, foam rough-in for the push plate and the two (2) lag screws for the mounting bowl on the inner holes.



Cutting Out the Wall Location

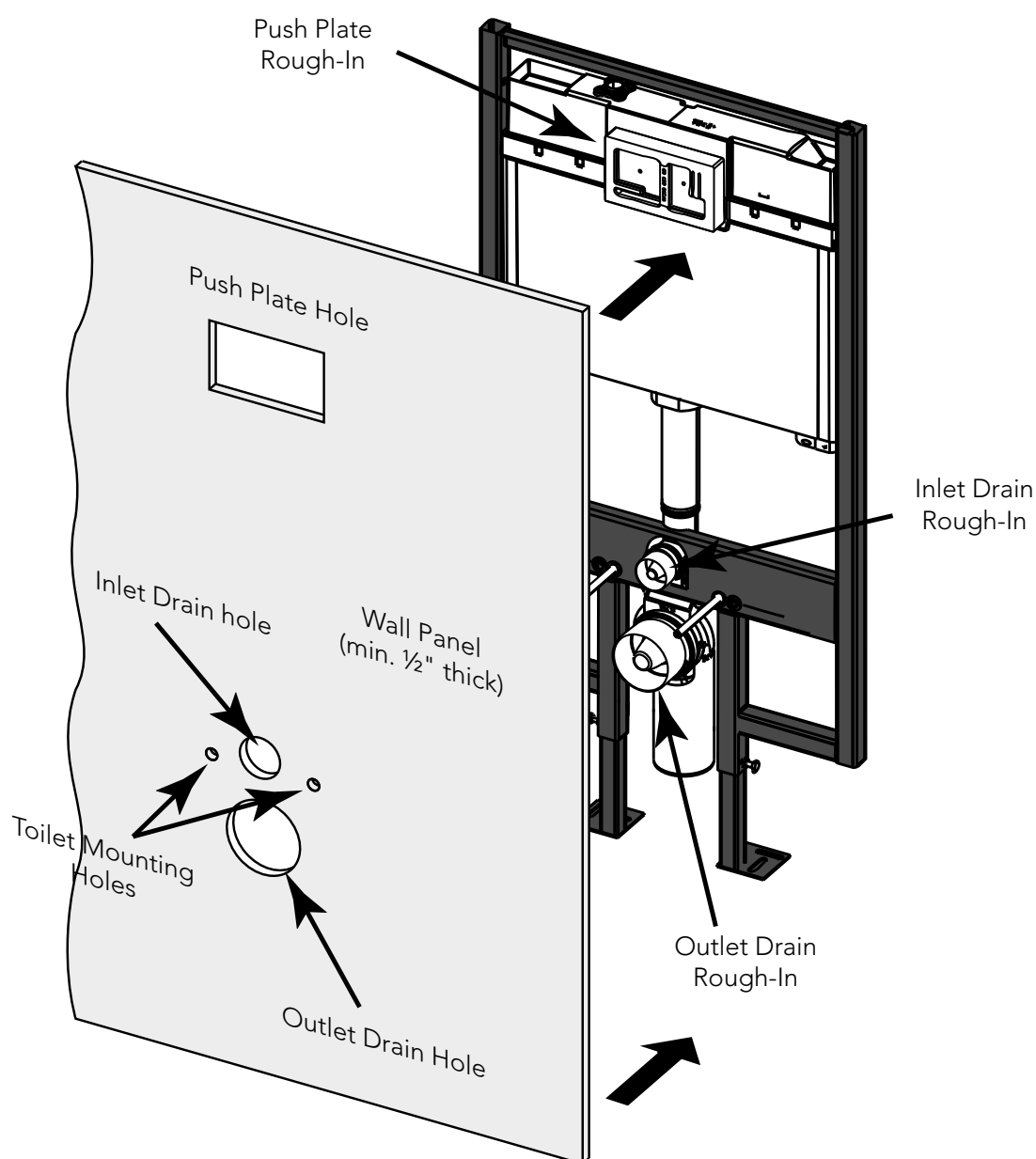
Recommended minimum 1/2" (13mm) drywall installation. Use the protruding parts on the carrier to locate the cuts on the wall.

Cut a 4-1/2" (114mm) diameter hole for the outlet drain.

Cut a 2-3/8" (60mm) diameter hole for the water inlet.

Cut two 3/4" (19mm) diameter holes for the mounting screw studs.

Cut a 7-1/2" (190mm) x 4-5/8" (117mm) hole for the push plate.

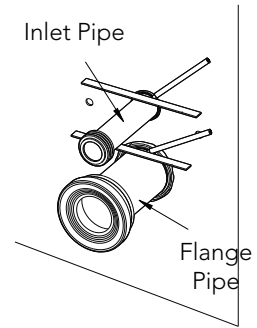


Installing Toilet on the In-Wall Tank System

- 1) Apply soapy water in the inlet and outlet drain to facilitate installation. Insert the inlet pipe into the tank drain outlet until it stops.

Place the edge of a ruler against the finished wall and on top of the inlet pipe. Mark the location as shown and remove the inlet pipe.

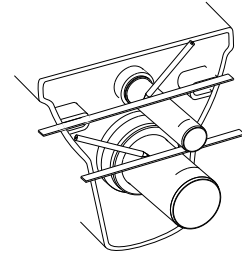
Repeat this process with the flange pipe.



- 2) Insert the inlet pipe end with the gasket into the back of the toilet bowl.

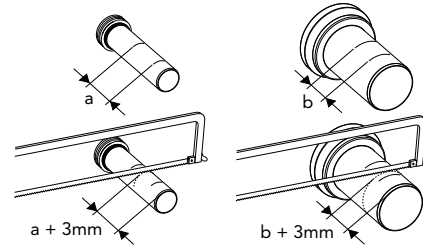
Place the edge of a ruler against the whole width of the back of the toilet and on top of the inlet pipe. Mark the location as shown and remove the inlet pipe.

Repeat this process with the flange pipe.



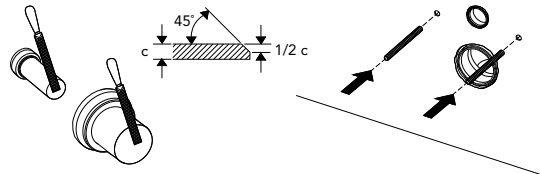
- 3) Measure the length between the 2 markings and add 3mm. From that dimension, mark the cutting line by measuring from the edge opposite from the gasket and saw off the excess.

Repeat this process for the flange pipe.

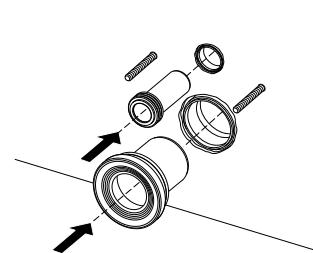


- 4) Bevel the cutting edges as shown.

Screw the tank drain outlet into the toilet mounting stud, leaving 2-1/8" (54mm) of the screws exposed.



- 5) Insert the inlet pipe and the flange pipe into the appropriate drain holes.



- 6) Install the toilet bowl by aligning it with the pipes and mounting stud. Use the included mounting hardware to secure the bowl.



INSTALLING TOTO WASHLET®

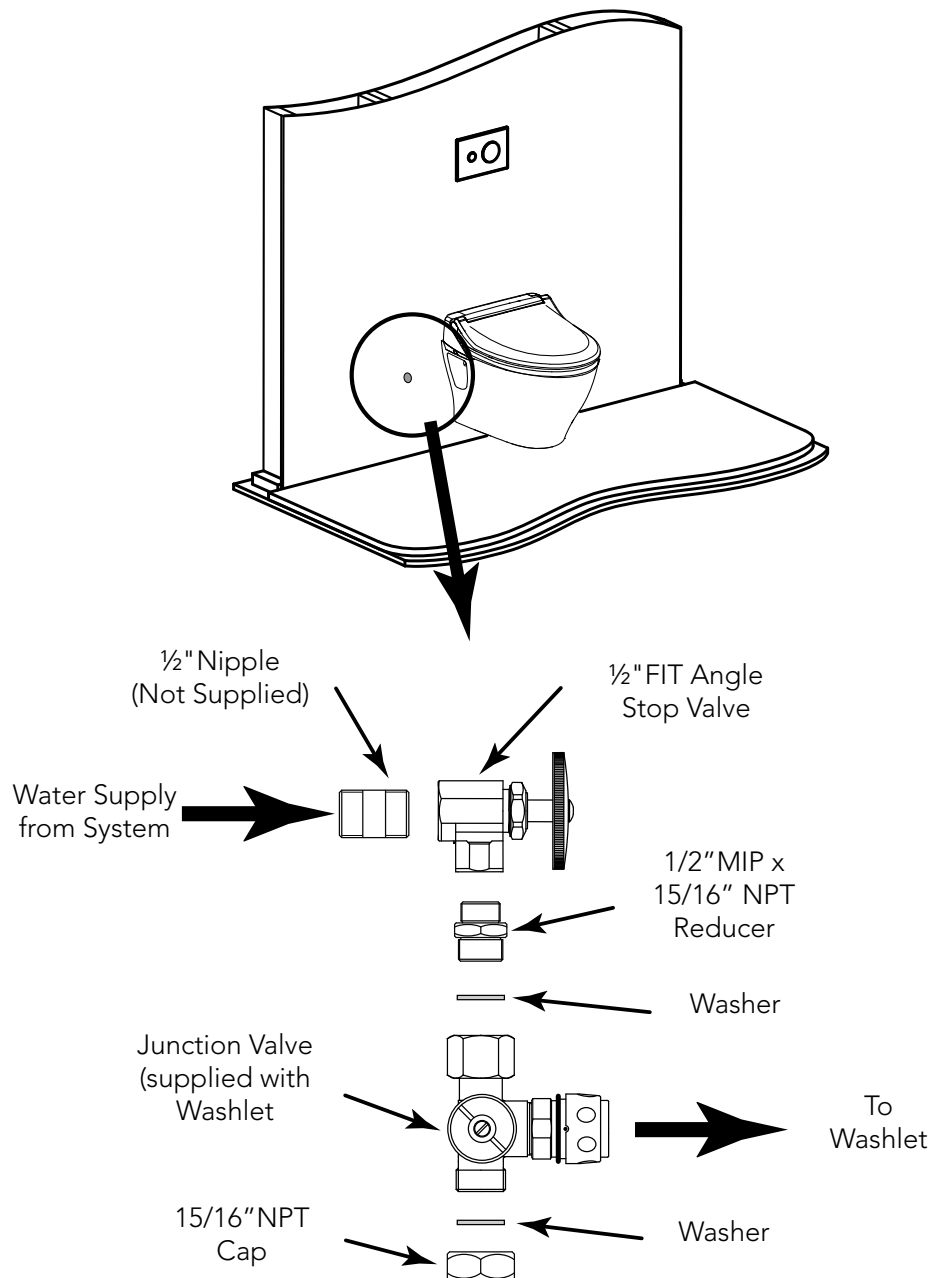
Follow the instruction to install the Washlet on the toilet per manual provided with the product.

An installation kit (p/n: THU383) is required to install the water supply connection. (Stop Valve, Reducer & Cap).

Follow the diagram below to install the components. Use teflon tape (not provided) as sealant between the joints.

Connect the Washlet connection hose (supplied with Washlet) to the junction valve and the Washlet.

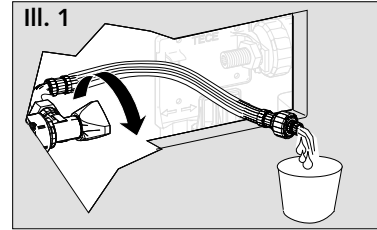
Warning: After installing the components, check all connections for any leak.



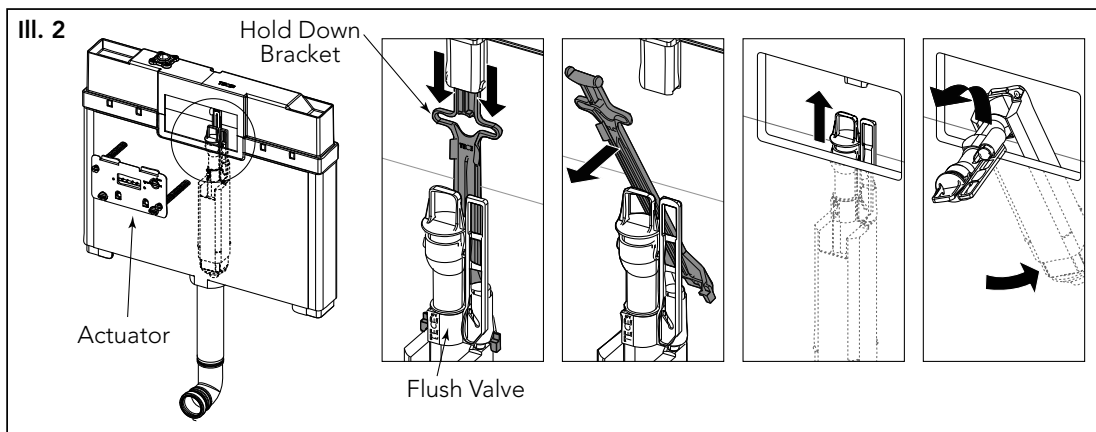
SERVICING PROCEDURES

Servicing and/or Replacing the Flush Valve

- 1) Remove the actuator by turning the two grey knobs a half-turn counterclockwise and pull it out.
- 2) Turn off the stop valve (see Ill. 1).
- 3) Press down on the hold down bracket to remove it (see Ill. 2).
- 4) Hold the top of the flush valve and pull upward. While pulling, fold the upper tubes of the flush valve towards and tilt it sideways to remove it.
- 5) At the other end of the flush valve, the rubber piece can be removed for cleaning or to be replaced.

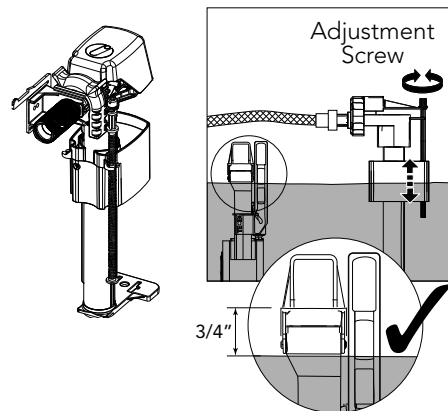


To reinstall the flush valve, repeat these steps in reverse.



Adjusting the Water Level in the Tank

- 1) Follow the procedure to remove the flush valve, then push down on the red tab in the right side of the tank and pull on the fill valve assembly with bracket.
NOTE: There is no need to remove the hose from the fill valve.
- 2) Turn the adjustment screw clockwise to increase the water level and counterclockwise to lower it.
- 3) Replace the fill valve and flush valve and open the stop valve.
- 4) Check the water level and adjust as necessary until it reaches 3/4" below the overflow tube.



Cleaning the Filter of the Fill Valve

- 1) Follow the procedure to remove the flush valve.
- 2) Unscrew the hose from the fill valve.
- 3) Use a needle nose plier to remove the filter from the inlet hole of the fill valve.
- 4) Rinse the filter under water and use a small brush to remove any debris that may be on the filter screen.
- 5) Reverse the procedure to replace the fill valve.

WARRANTY

1. TOTO warrants its In Wall Tank System ("Product") to be free from defects in materials and workmanship during normal use when properly installed and serviced, for a period of one (1) year from date of purchase. This limited warranty is extended only to the ORIGINAL PURCHASER of the Product and is not transferable to any third party, including but not limited to any subsequent purchaser or owner of the Product. This warranty applies only to TOTO Product purchased and installed in North, Central and South America.
2. TOTO's obligations under this warranty are limited to repair, replacement or other appropriate adjustment, at TOTO's option, of the Product or parts found to be defective in normal use, provided that such Product was properly installed, used and serviced in accordance with instructions. TOTO reserves the right to make such inspections as may be necessary in order to determine the cause of the defect. TOTO will not charge for labor or parts in connection with warranty repairs or replacements. TOTO is not responsible for the cost of removal, return and/or reinstallation of the Product.
3. This warranty does not apply to the following items:
 - a. Damage or loss sustained in a natural calamity such as fire, earthquake, flood, thunder, electrical storm, etc.
 - b. Damage or loss resulting from any accident, unreasonable use, misuse, abuse, negligence, or improper care, cleaning, or maintenance of the Product.
 - c. Damage or loss resulting from sediments or foreign matter contained in a water system.
 - d. Damage or loss resulting from improper installation or from installation of the Product in a harsh and/or hazardous environment, or improper removal, repair or modification of the Product. (NOTE: Product model codes allow a maximum of 80 PSI. Check local codes or standards for requirements).
 - e. Damage or loss resulting from electrical surges or lightning strikes or other acts which are not the fault of TOTO or which the Product is not specified to tolerate.
 - f. Damage or loss resulting from normal and customary wear and tear, such as gloss reduction, scratching or fading over time due to use, cleaning practices or water or atmospheric conditions.
 - g. Tank flushing mechanisms of plastic or rubber moving parts.
 - h. Toilet seats of plastic, wood or metal.
4. In order for this limited warranty to be valid, proof of purchase is required. TOTO encourages warranty registration upon purchase to create a record of Product ownership at <http://www.totousa.com>. Product registration is completely voluntary and failure to register will not diminish your limited warranty rights.
5. THIS WARRANTY GIVES YOU SPECIFIC LEGAL RIGHTS. YOU MAY HAVE OTHER RIGHTS WHICH VARY FROM STATE TO STATE, PROVINCE TO PROVINCE OR COUNTRY TO COUNTRY.
6. To obtain warranty repair service under this warranty, you must take the Product or deliver it prepaid to a TOTO service facility together with proof of purchase (original sales receipt) and a letter stating the problem, or contact a TOTO distributor or products service contractor, or write directly to TOTO U.S.A., INC., 1155 Southern Road, Morrow, GA 30260 (678) 466-1300 or (888) 295 8134, if outside the U.S.A. If, because of the size of the Product or nature of the defect, the Product cannot be returned to TOTO, receipt by TOTO of written notice of the defect together with proof of purchase (original sales receipt) shall constitute delivery. In such case, TOTO may choose to repair the Product at the purchaser's location or pay to transport the Product to a service facility.

WARNING! TOTO shall not be responsible or liable for any failure of, or damage to, this Product caused by either chloramines in the treatment of public water supply or cleaners containing chlorine (calcium hypochlorite). NOTE: The use of a high concentrate chlorine or chlorine related products can seriously damage the fittings. This damage can cause leakage and serious property damage.

THIS WRITTEN WARRANTY IS THE ONLY WARRANTY MADE BY TOTO. REPAIR, REPLACEMENT OR OTHER APPROPRIATE ADJUSTMENT AS PROVIDED UNDER THIS WARRANTY SHALL BE THE EXCLUSIVE REMEDY AVAILABLE TO THE ORIGINAL PURCHASER. TOTO SHALL NOT BE RESPONSIBLE FOR LOSS OF THE PRODUCT OR FOR OTHER INCIDENTAL, SPECIAL OR CONSEQUENTIAL DAMAGES OR EXPENSES INCURRED BY THE ORIGINAL PURCHASER, OR FOR LABOR OR OTHER COSTS DUE TO INSTALLATION OR REMOVAL, OR COSTS OF REPAIRS BY OTHERS, OR FOR ANY OTHER EXPENSE NOT SPECIFICALLY STATED ABOVE. IN NO EVENT WILL TOTO'S RESPONSIBILITY EXCEED THE PURCHASE PRICE OF THE PRODUCT. EXCEPT TO THE EXTENT PROHIBITED BY APPLICABLE LAW, ANY IMPLIED WARRANTIES, INCLUDING THAT OF MERCHANTABILITY OR FITNESS FOR USE OR FOR A PARTICULAR PURPOSE, ARE EXPRESSLY DISCLAIMED. SOME STATES DO NOT ALLOW LIMITATIONS ON HOW LONG AN IMPLIED WARRANTY LASTS, OR THE EXCLUSION OR LIMITATION OF INCIDENTAL OR CONSEQUENTIAL DAMAGES, SO THE ABOVE LIMITATION AND EXCLUSION MAY NOT APPLY TO YOU.