



**XOU24BWDDGS**

24" COMBO BEVERAGE CENTER & WINE COOLER

LIFESTYLE UNDERCOUNTER REFRIGERATION



**XOU24BWDDGS**

- Tri-Color Led Lighting
- Secure Lock For Each Door
- Single Zone Wine Side To Store And Serve
- Flush Undercounter Installation Design

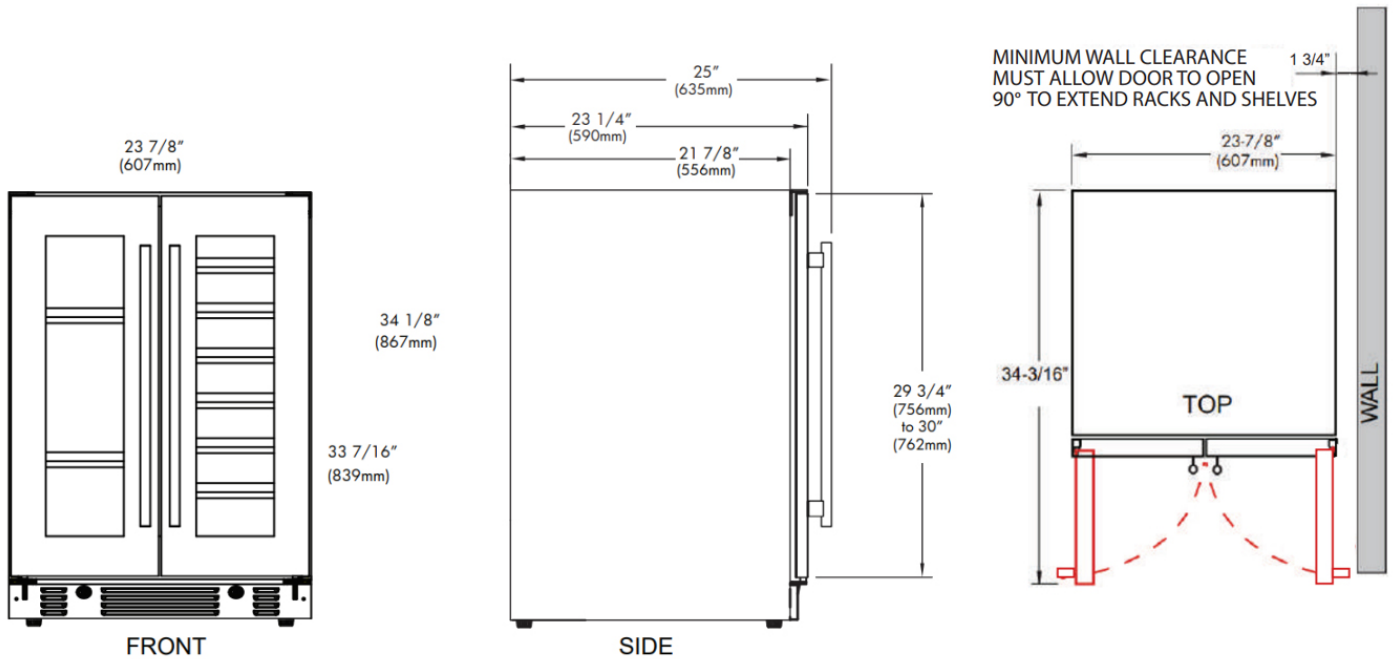
24" UNDERCOUNTER BEVERAGE/WINE COMBO UNIT

THE ULTIMATE IN CONVENIENT ENTERTAINING -YOUR FAVORITE VINTAGES AND ICY COLD BEVERAGES READY TO SERVE, JUST WHERE YOU WANT THEM

Your XO French Door Combo Unit has the ability to store both wine at 41° to 64° F ready to serve and icy cold beverages from 34° to 50° F in the same compact system. Designed to fit undercounter and wherever your life takes you.

WORLD CLASS SERVICE | COMPREHENSIVE WARRANTIES

OUR LASTING COMMITMENT TO YOU



## FEATURES

## SPECIFICATIONS

### CAPACITY

Shelves and racks extend halfway and hold:  
 (49) 12oz cans at 34° to 50° F  
 (21) 750ml bottles at 41° to 64° F

### FEATURES

- Secure door lock
- 2 Styles of Handles Included
- Library quiet 39 dBA operation
- Elegant tri-color interi or illumination
- Intuitive digital touch controls
- 6-1/2' Power Cord with low profile 90 flat plug
- Low E Glass blocks harmful UV light
- Alarm Functions
- Energy Saver and Sabbath Mode

**ELECTRICAL** 120V 60HZ 4.35 AMP\*

**DIMENSIONS** H 34 1/8"  
 W 23 7/8"  
 D 23 1/4"

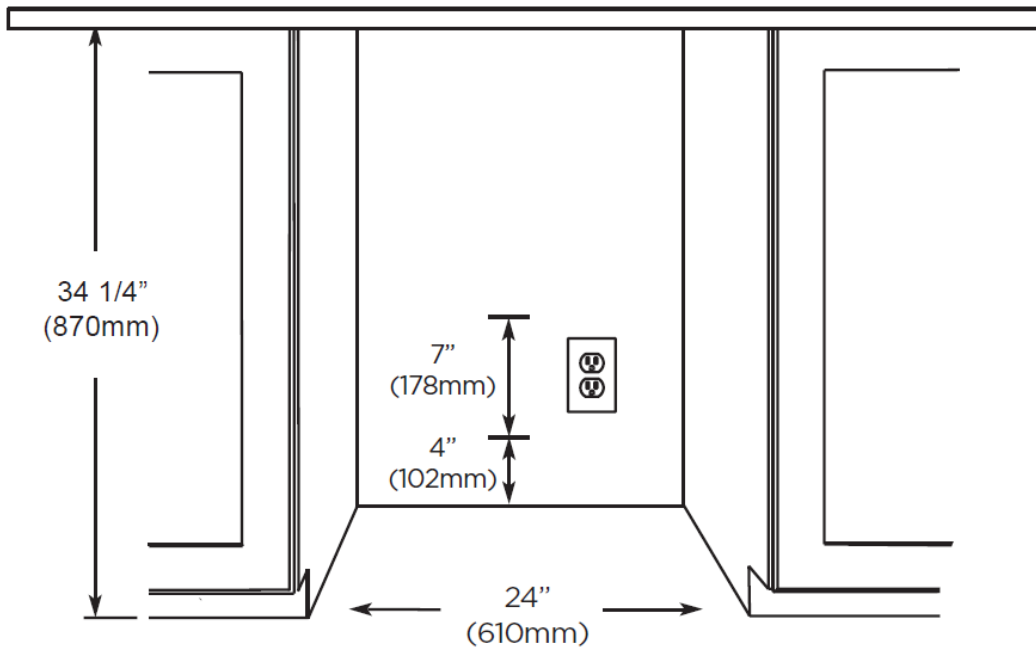
**ROUGH IN** H 34 1/4" min  
 W 24"  
 D 24"

**REFRIGERANT** R600A

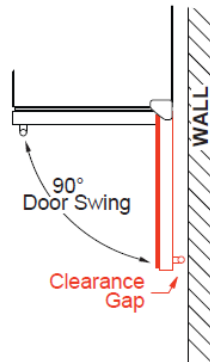
**WEIGHT** 149 lbs



## ROUGH IN DIMENSIONS



ALL XO UNDERCOUNTER UNITS ARRIVE PRE-WIRED WITH LOW PROFILE PLUGS FOR EASY INSTALLATION

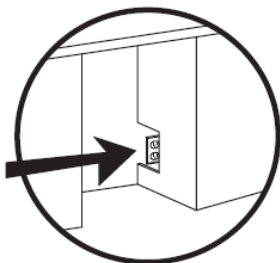


WHEN INSTALLING WITH THE HINGE SIDE NEXT TO A WALL -

LEAVE ENOUGH CLEARANCE GAP FOR CABINET HANDLES

DOOR MUST BE ABLE TO OPEN A MINIMUM OF 90°.

NEED MORE SPACE - CUT INTO AN ADJOINING CABINET TO REACH AN OUTLET THERE



IF THE DOOR CANNOT OPEN FULLY YOU CANNOT EXTEND THE SHELVES.

CONSULT THE MANUAL FOR INSTRUCTIONS ON CHANGING THE DOOR STOP SETTING.